

NOTICE

- *Please make sure that you have all parts indicated and they are in good condition before you begin assembly of this item. Refer to part list and hardware list below for guidance.
- *This item should be assembled on a soft surface to prevent scratching the finish during assembly.
- *This item may require periodic tightening.
- *If you are having difficulty, our friendly Customer Care team is always here to help. Please email customersupport@safavieh.com

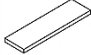






PREPARATION

- *Before beginning assembly of product, make sure all parts are present. Compare parts with part contents list and hardware contents list.
- *If any part is missing or damaged, do not attempt to assemble the product.
- *Estimated Assembly Time: 15 minutes.
- *Tools Required for Assembly (included): Hex Key

CARE AND MAINTENANCE

Always use felt pads under all articles to prevent discoloration or softening of the lacquer. Plastic and rubber bases on items can discolor wood. Wipe up spills immediately and avoid common hazards such as hot dishes, harsh solvents and abrasive. Cleaning should be done with a soft lint free cotton cloth dampened with water or furniture polish. On highly used surfaces we recommend applying a quality paste wax which should be used on a regular basis to provide additional protection from scratches and spills. How often you apply the wax depends on how much wear the furniture receives.

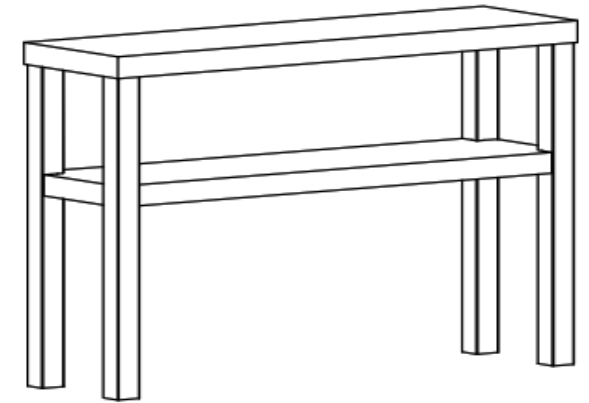
Parts List and Hardware List

PIECE	DESCRIPTION	PICTURE	QUANTITY
A	Top		1X
B	Legs		4X
C	Shelf		1X
HW1	JCBC Bolt: M6 x 0.5 x 20 mm		8X
HW2	JCBC Bolt: M6 x 0.5 x 45 mm		4X
HW3	Flat Washer: M8 x Ø17 x 1.5 mm		12X
HW4	Hex Key		1X



Item ID # CNS6611

Product Dimension: 47"W x 15"D x 30"H



WARNING



Weight Capacity – 65 Lbs

Warning : Do not stand on Table

Warning : Do not over torque bolts

PREPARATION

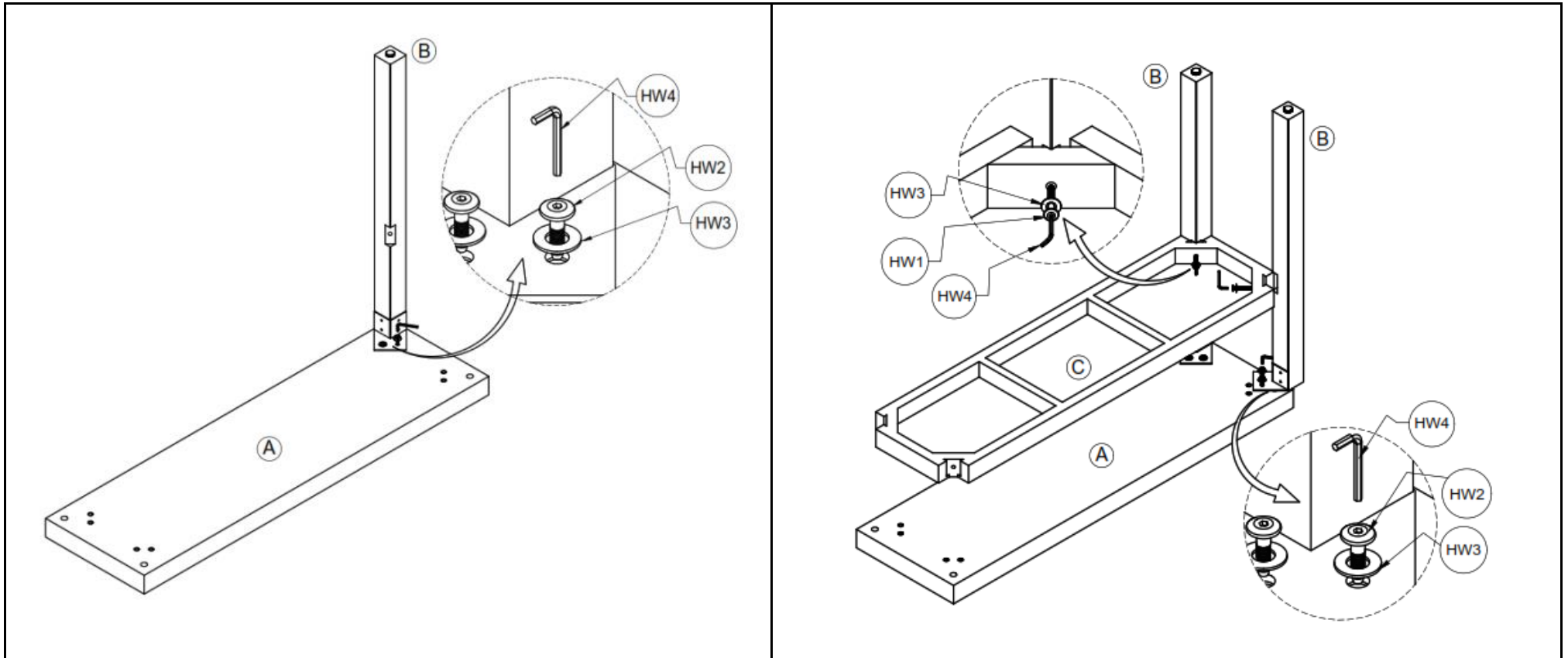
*Before beginning assembly of product, make sure all parts are present. Compare parts with part contents list and hardware contents list.

*If any part is missing or damaged, do not attempt to assemble the product.

*Estimated Assembly Time: 15 minutes.

*Tools Required for Assembly (included): Hex key`

*If you are having difficulty, our friendly Customer Care team is always here to help. Please email customersupport@safavieh.com

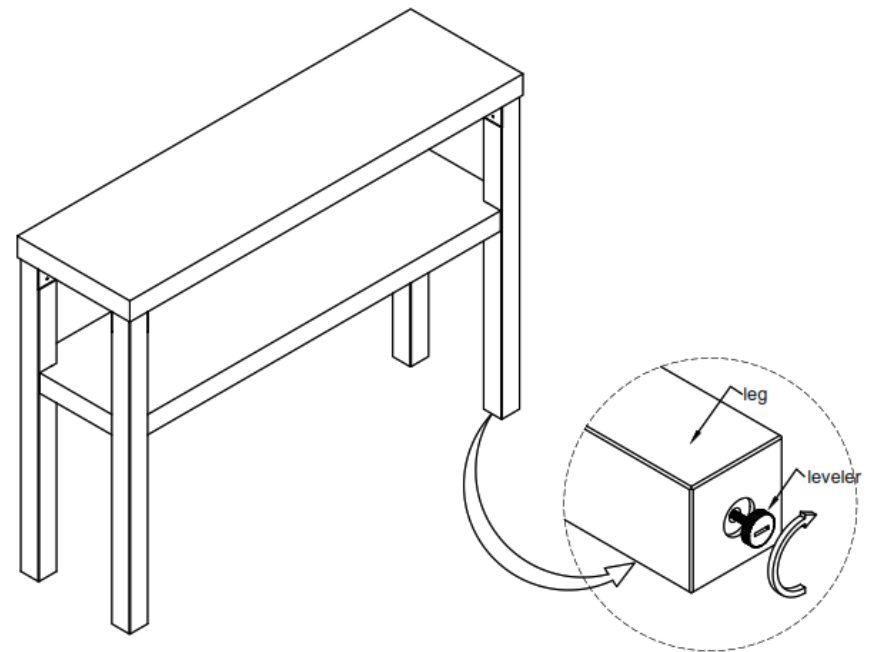
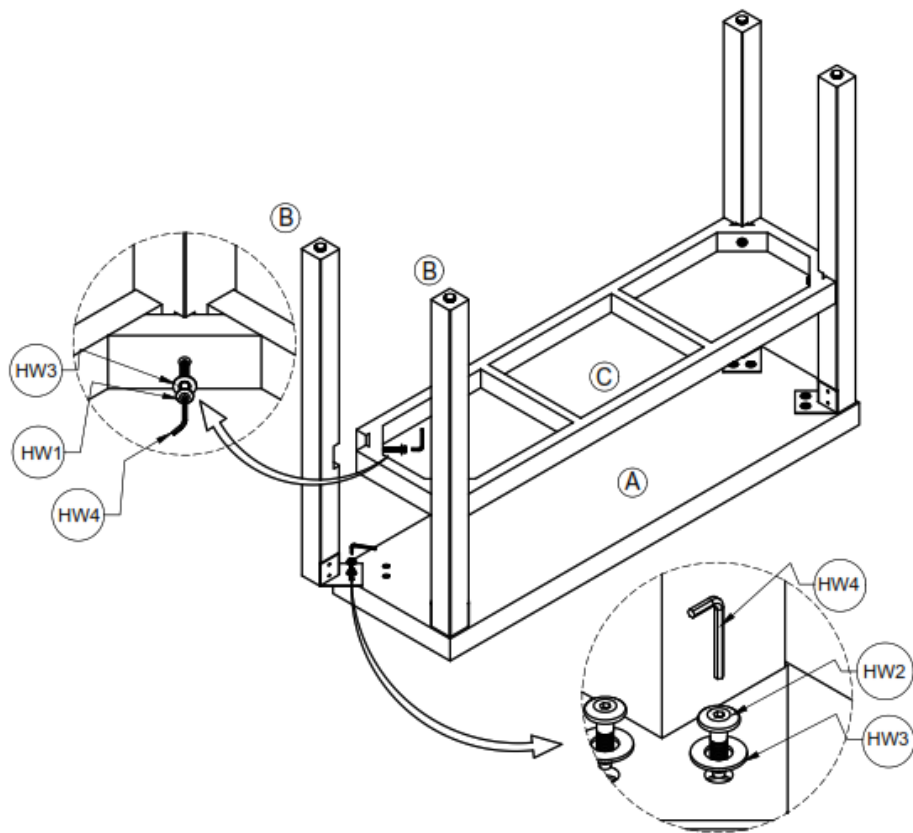


STEP 1:

Place the top panel (A) upside down then attach the legs (C) by inserting the Bolts (HW1) and Flat washer (HW3) then tighten with the Hex key (HW4).

STEP 2:

For Installation of this Desk, two people are needed until the assembly is complete. do step 1 on the 2nd leg then install the shelf (B) and insert the Bolt (HW2) and Flat Washer (HW3) as shown in the picture then tighten using the hex key (HW4).



STEP 3:
Repeat step 2 in step 3 as seen in the image above.

STEP 4:
Make sure all bolts are screwed in firmly. Your product is ready for use.