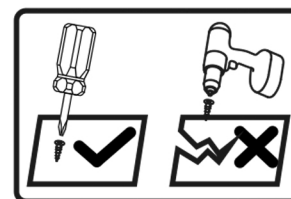
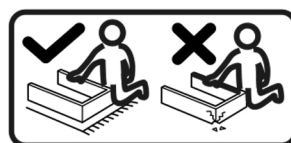
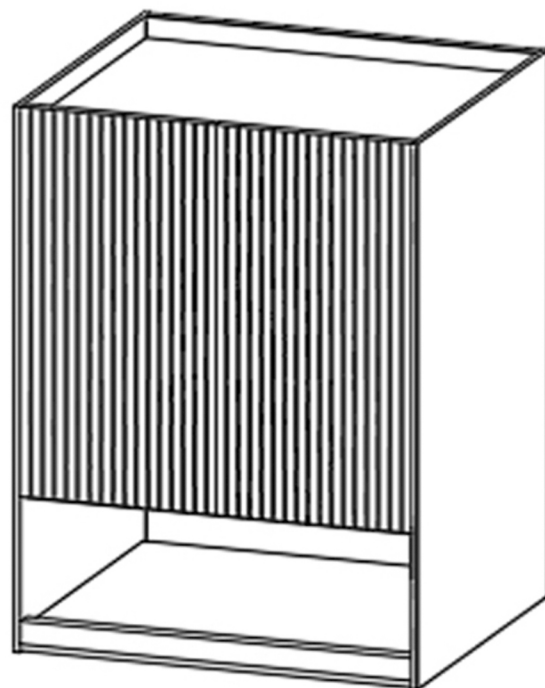


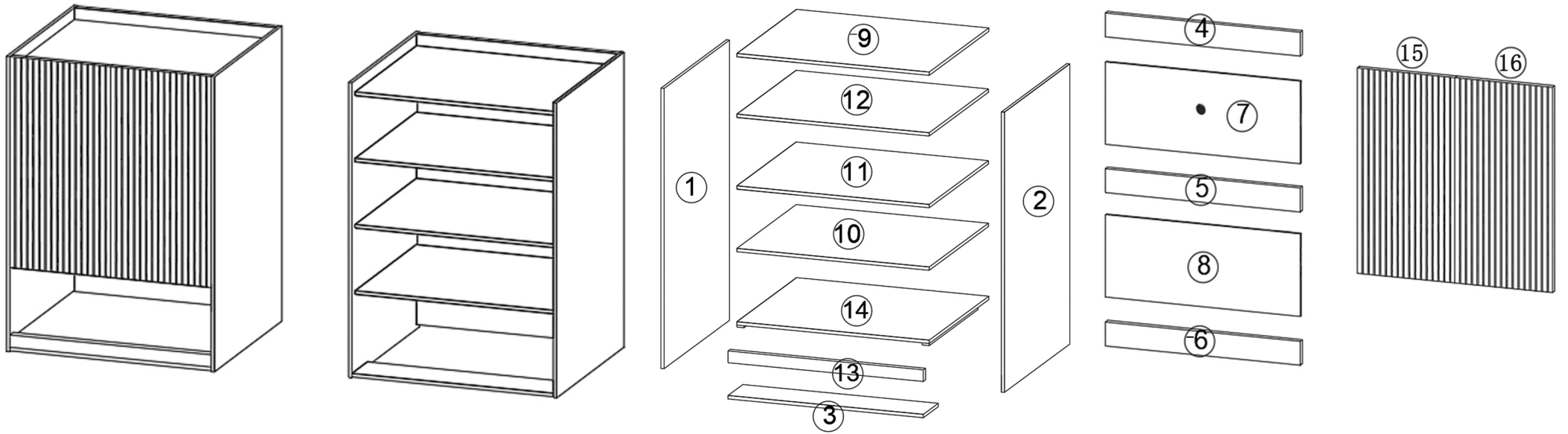
Assembly Manual





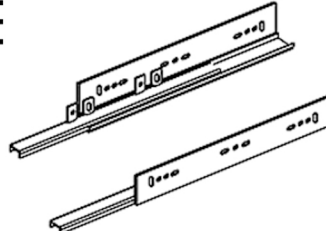







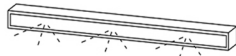

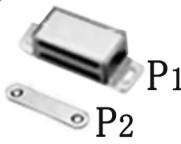


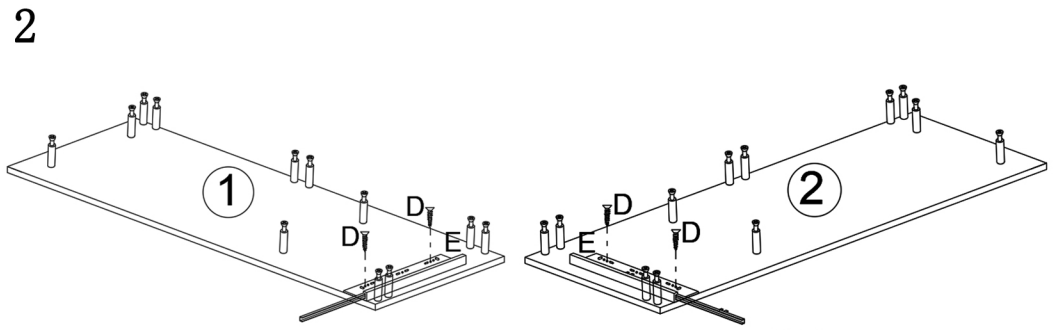
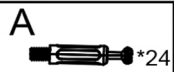
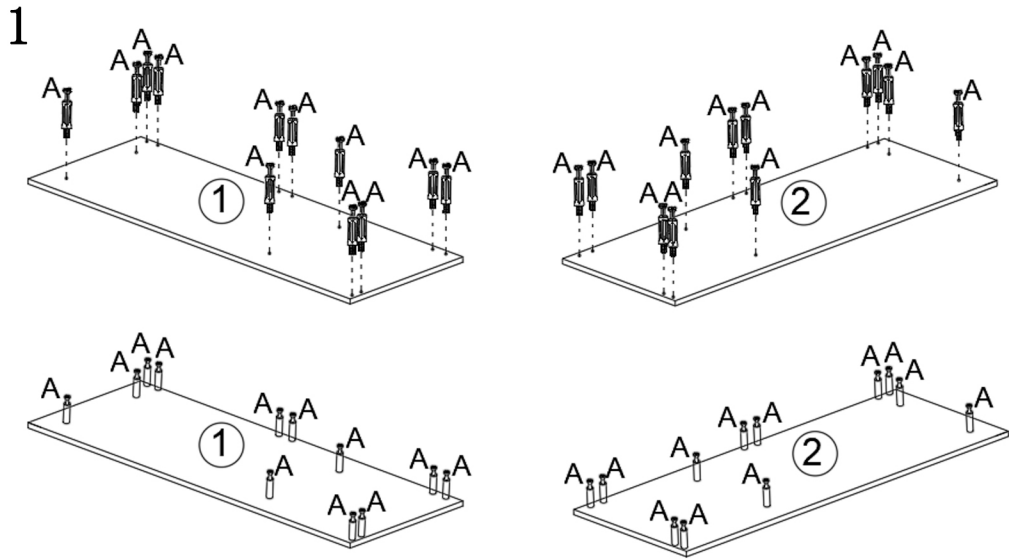
Model: 2510-XG-A01/A02



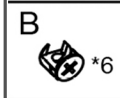
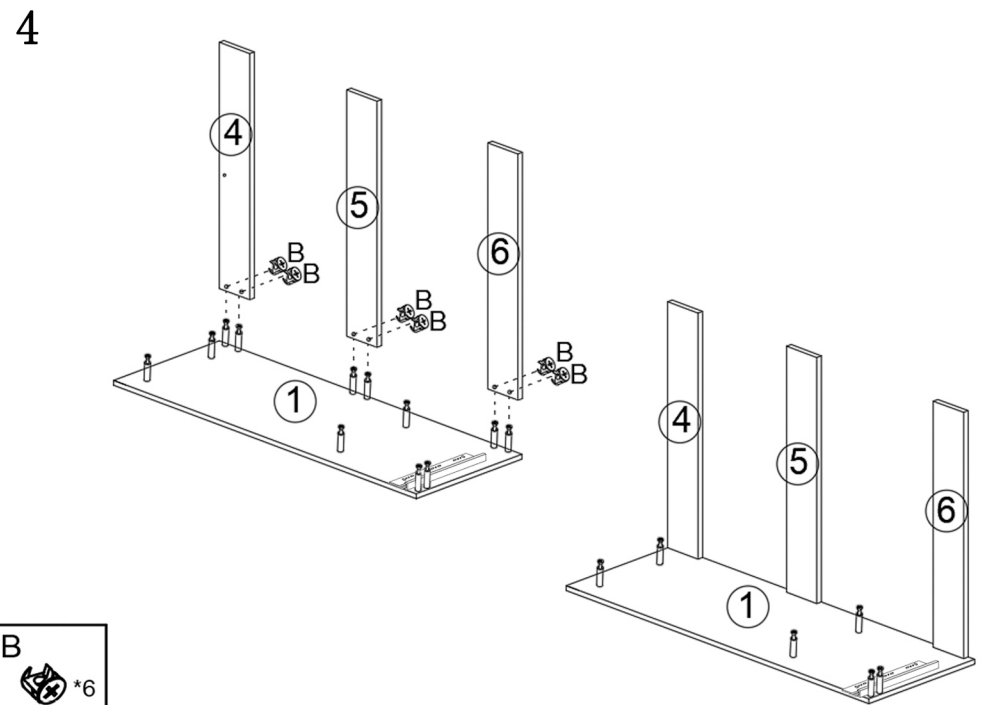
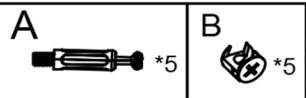
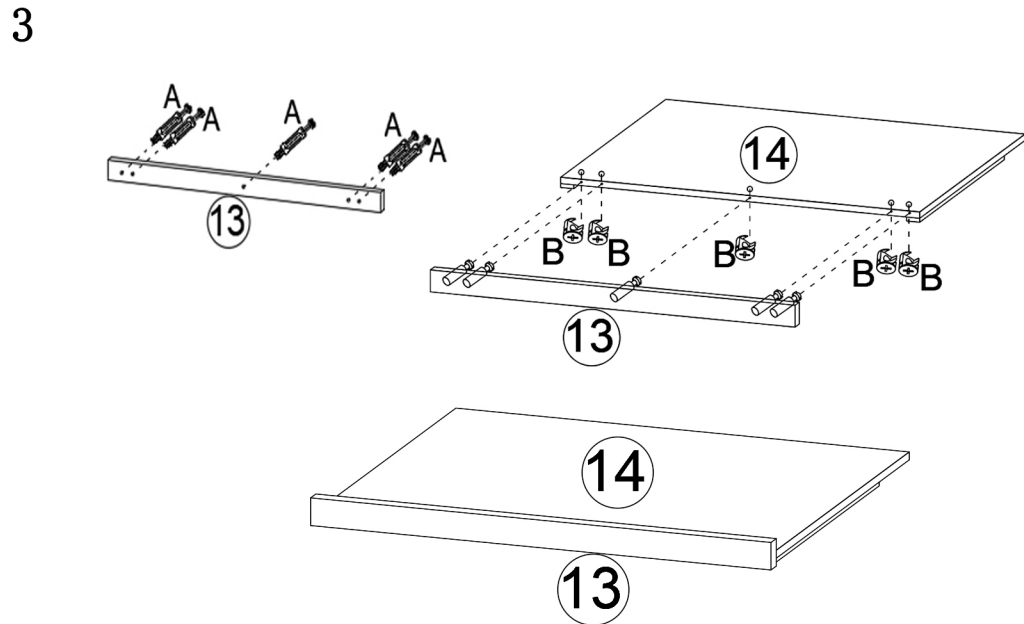
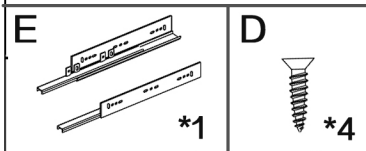
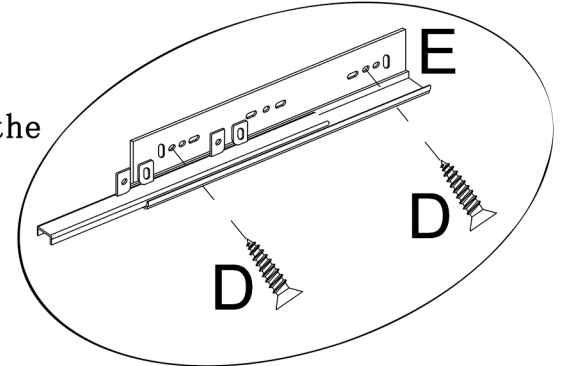
Please read the instruction manual carefully before use the product and properly keep it.



A  *29	B  *29	C  *8	D  *28	E  *1	F  *4	G  *4	
H  *1	J  *8	K  *1	L  *8	M  *1	N  *1	O  *1	P  *2

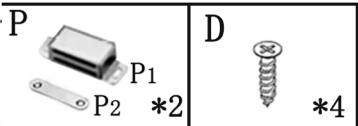
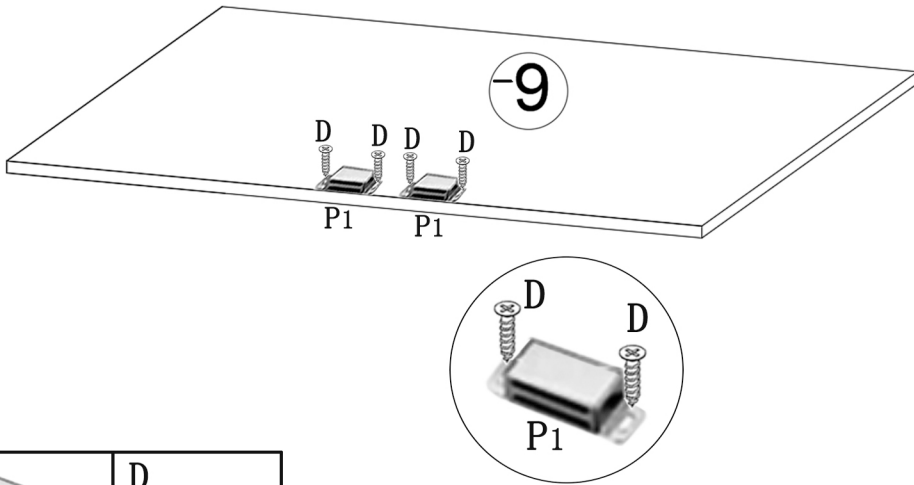


Note:
install the screws (D)
strictly according to the
indicated holes.

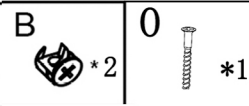
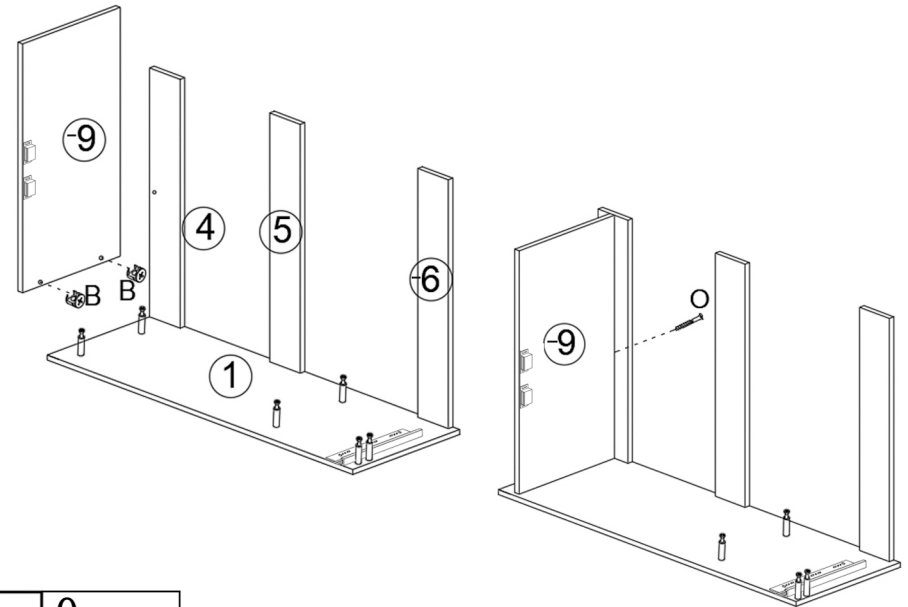


5

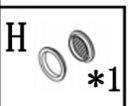
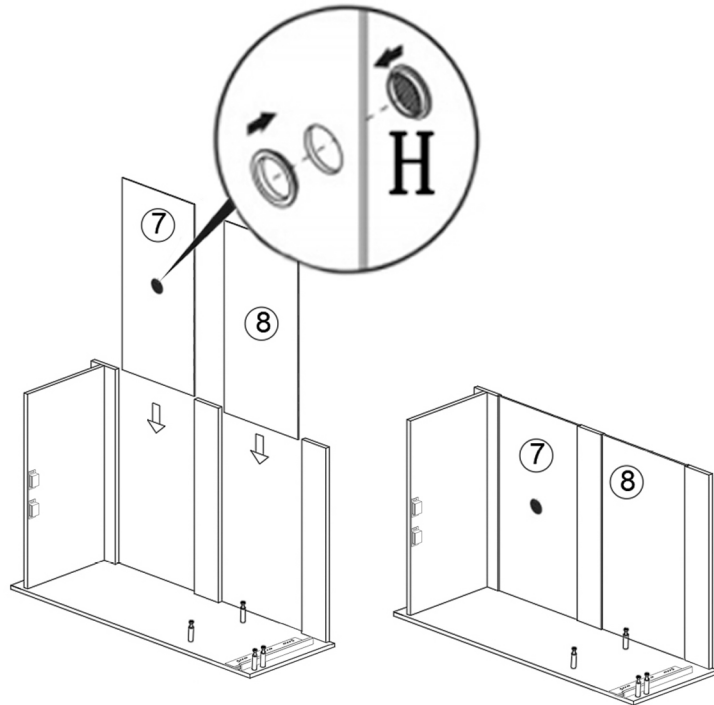
P1 faces outward and be secured to the board with screws.



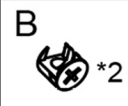
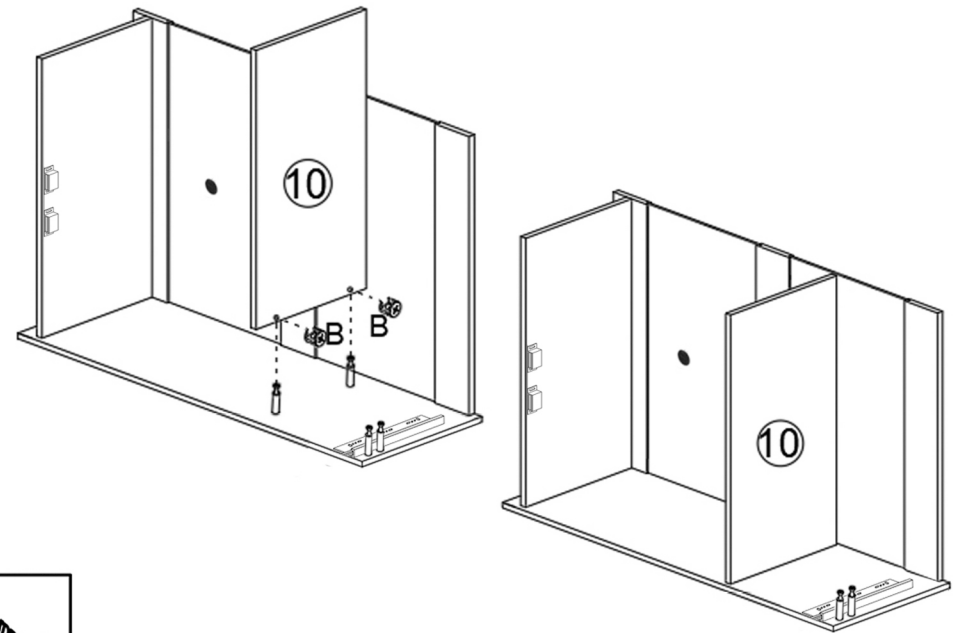
6



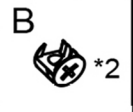
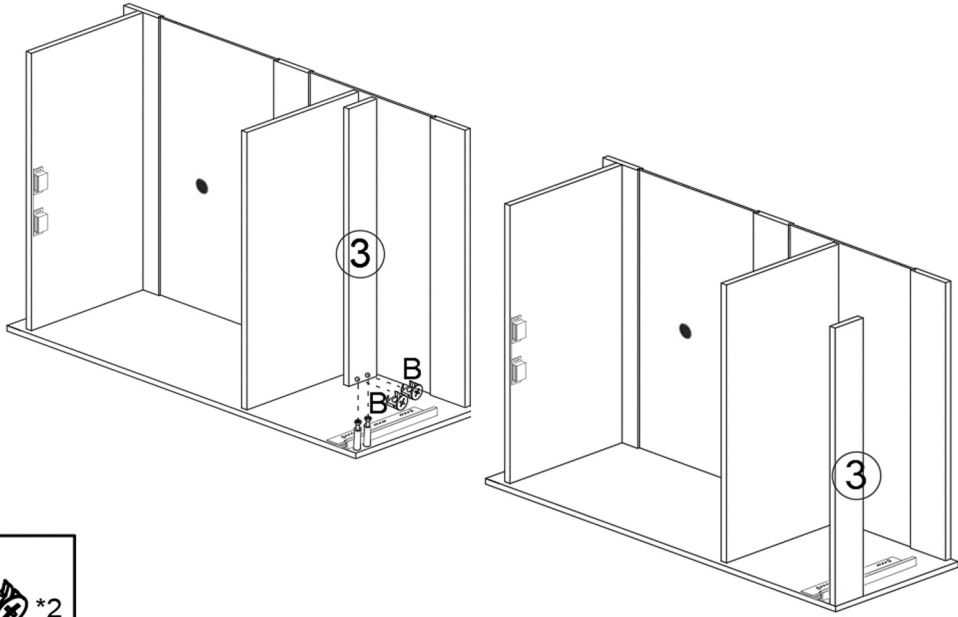
7



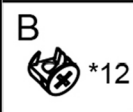
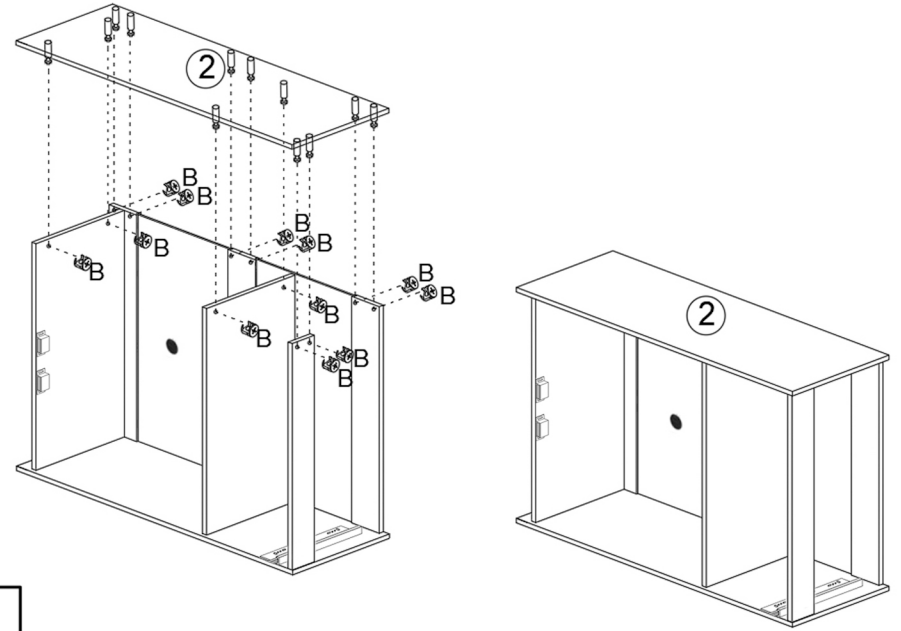
8



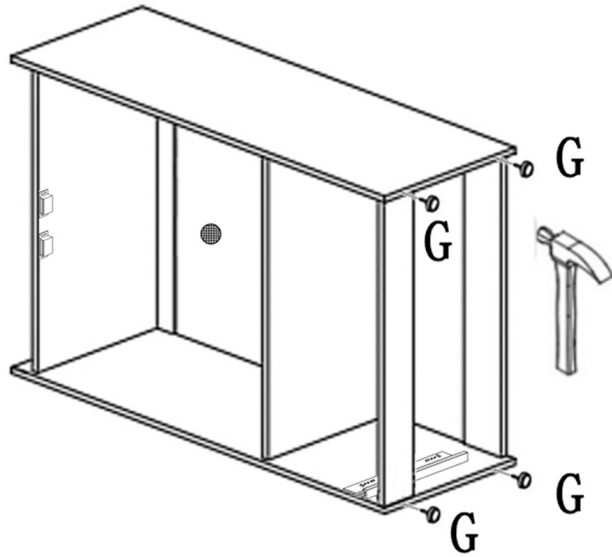
9



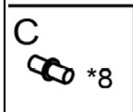
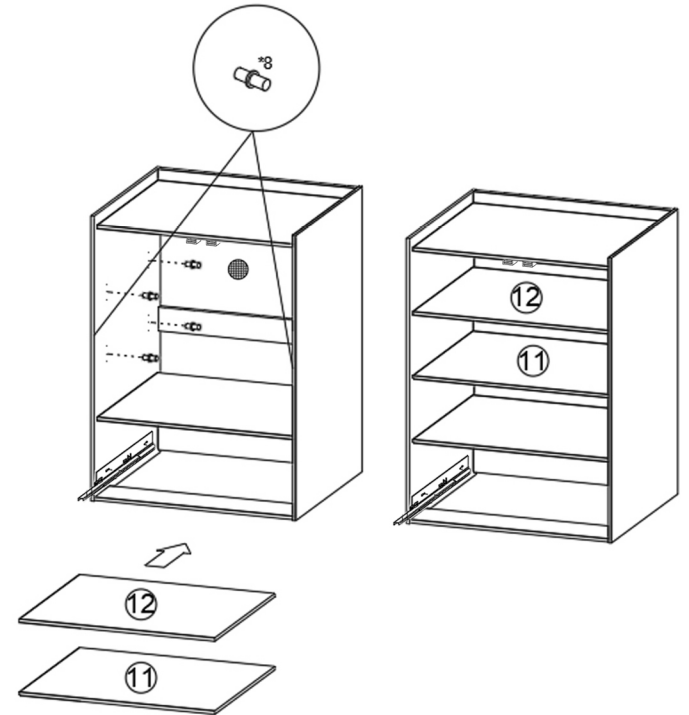
10



11

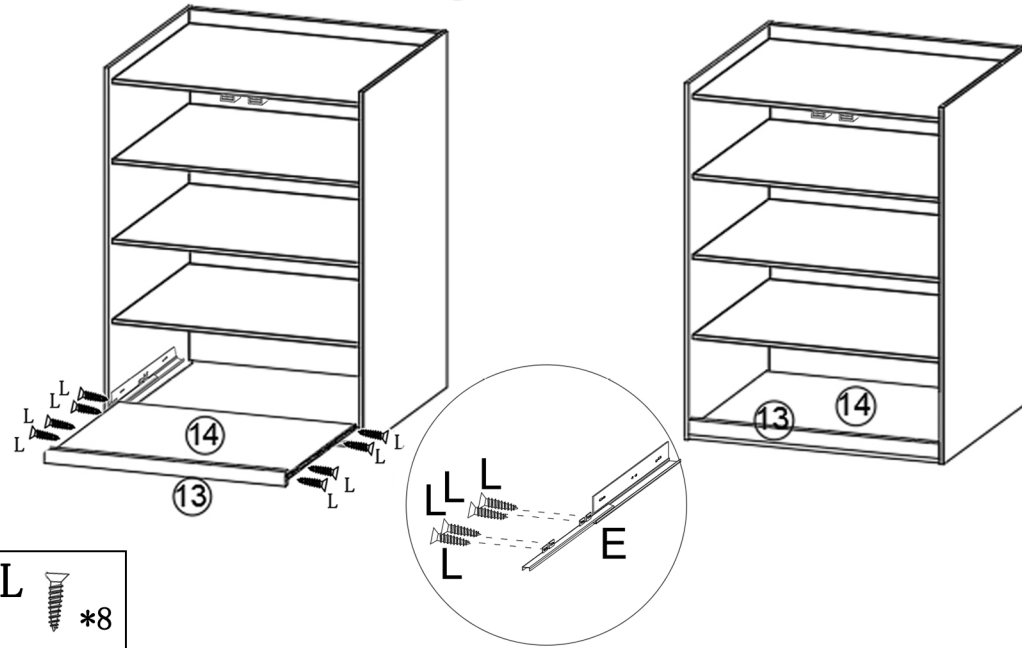


12



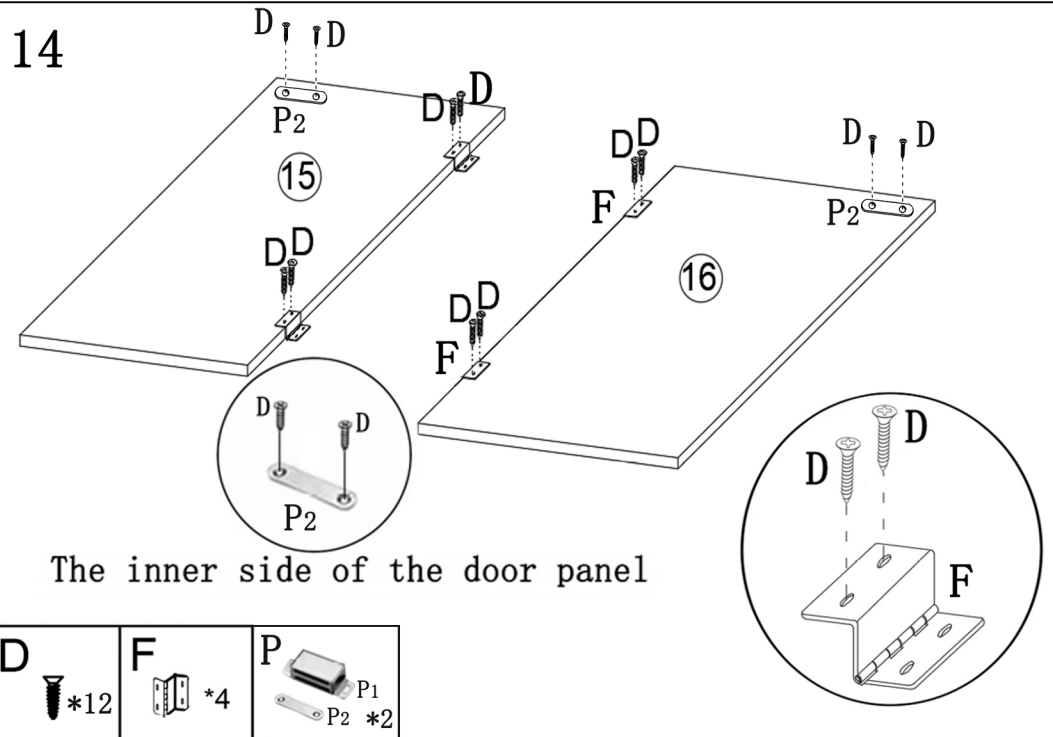
13

After pulling the slide rail out of the track, secure it to ⑭ with screws.



L *8

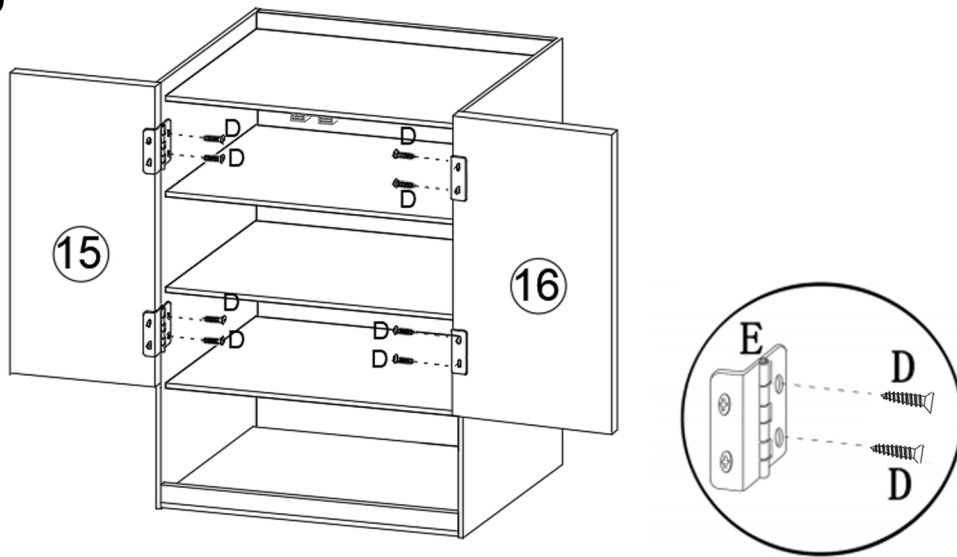
14



The inner side of the door panel

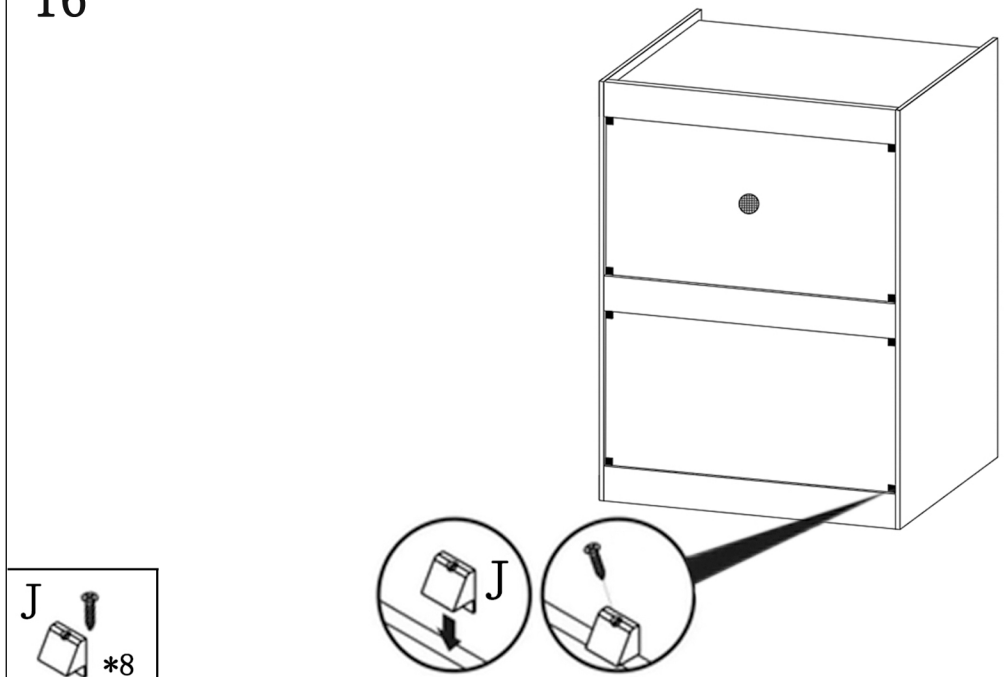
D *12 F *4 P P1 P2 *2

15



D *8

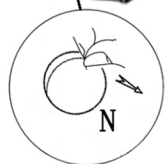
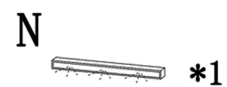
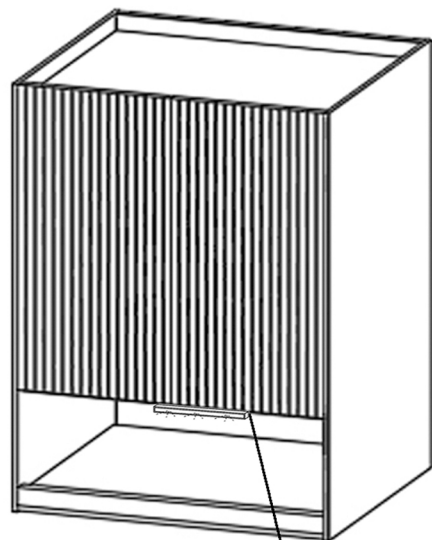
16



J *8

17

Install the motion-sensing light deep inside the shoe cabinet to avoid accidental contact during shoe access.



18

