

Selecting the Correct Light Bulb

- Maximum Wattage: 60W
- Light Bulb Type: E27 (Edison Screw) GLS Bulb

If the supply cord is damaged, it cannot be replaced, and the lamp must be scrapped.

- Indoor use only
- Ensure the lamp is in a location where the power cable will not cause an accident
- Place lamp on a level surface.

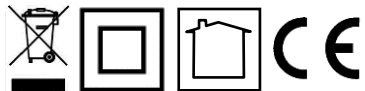


Do not exceed the maximum wattage or use a different shape of light bulb. This may cause permanent damage to your light fitting. Always switch off and allow to cool before changing bulbs. Use a soft cloth to handle bulbs, avoid directly touching the bulbs as this will shorten their life.

Cleaning Care:

Finish – We recommend cleaning with a soft dry cloth. Do not use abrasive materials as these will rub away the protective coating.

Always switch off and allow the bulb to cool before replacing the bulb.



LSE Retail Group Ltd
M30 9QG UK
Customer Service:
0161 832 4957

Aero Hairpin Leg Tripod Floor Lamp (NO SHADE)





Thank you for purchasing this floor lamp. Please read through the instructions and warnings carefully before use to ensure safe and satisfactory operation of this product.

Contents:

- 1x Floor Lamp comprising of:
- 3x Leg Section
- 1x Leg Securing Plate
- 1x Leg Securing Plate Cover
- 6x Grub Screws
- 3x Cable Securing Clips

Before Starting:

Please read through these instructions before commencing work and keep them for future reference.

Assembly Instructions:

Step 1 & 2:

Carefully locate the legs into the guides on the underside of the leg securing plate, secure that legs with the grub screws and hex key provided.

Step 3:

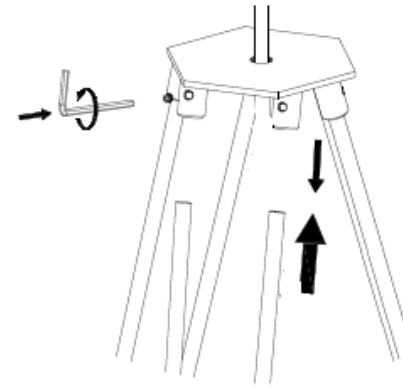
Place the leg securing plate cover over the leg securing plate carefully screw into place, taking care not to twist the cable, secure that cable to the leg using the cable securing clips provided.

Step 4:

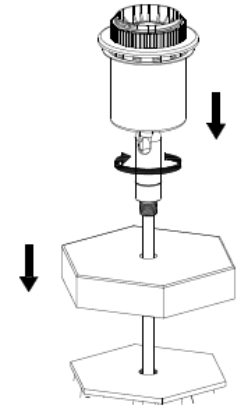
Secure the shade (not supplied) with the shade ring. Insert the bulb not supplied), do not exceed the wattage stated on the lampholder or shade (whichever is the lower wattage), also suitable for use with energy saving bulbs and LED bulbs.

Step 5:

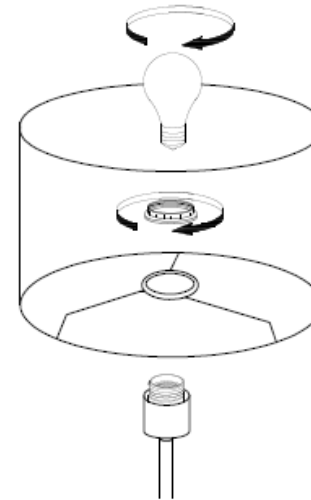
Insert the plug into the wall outlet, switch on at the wall socket and at the in-line switch.



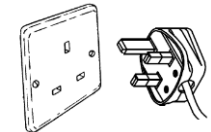
3



4



5



ON

