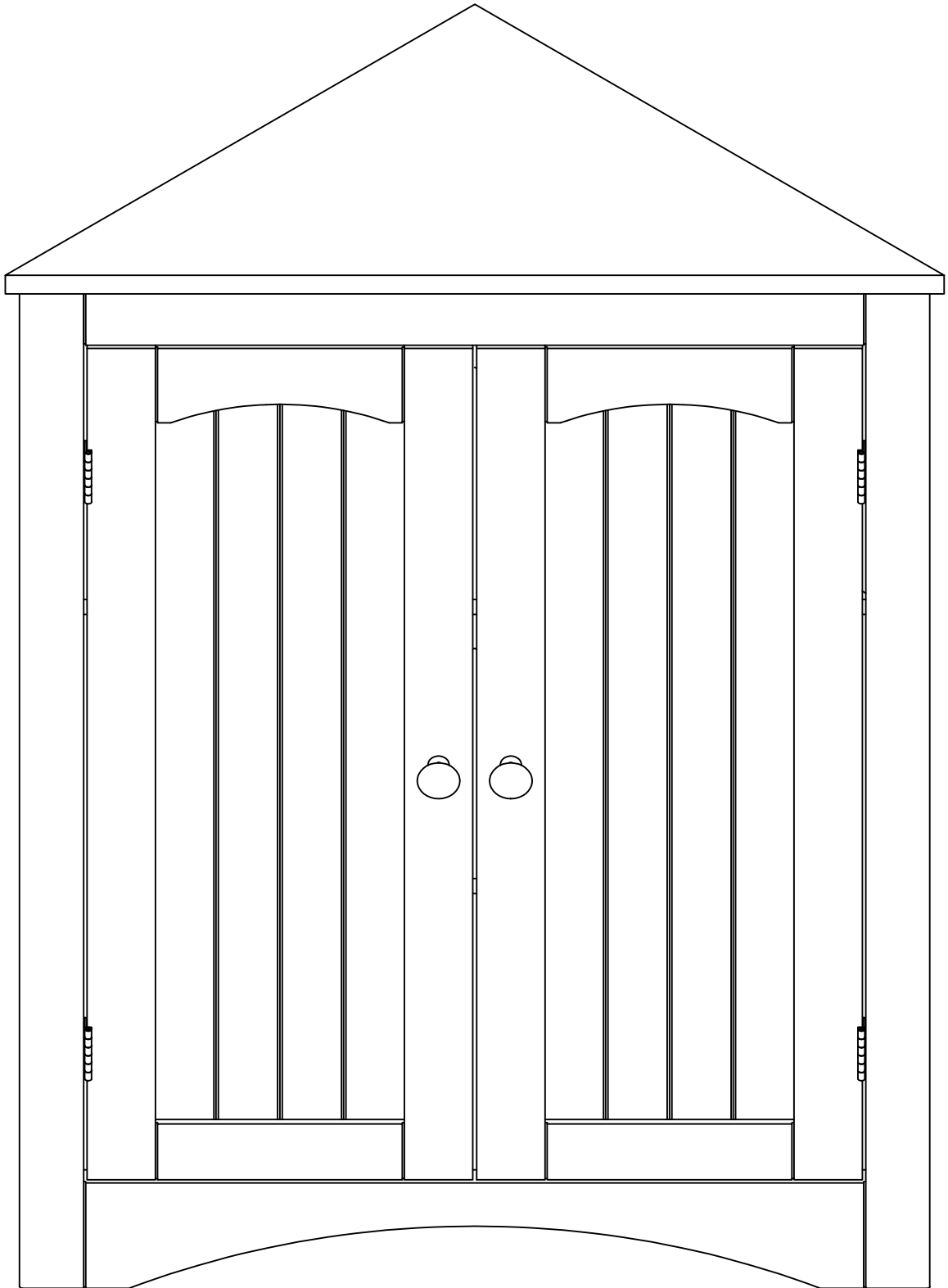
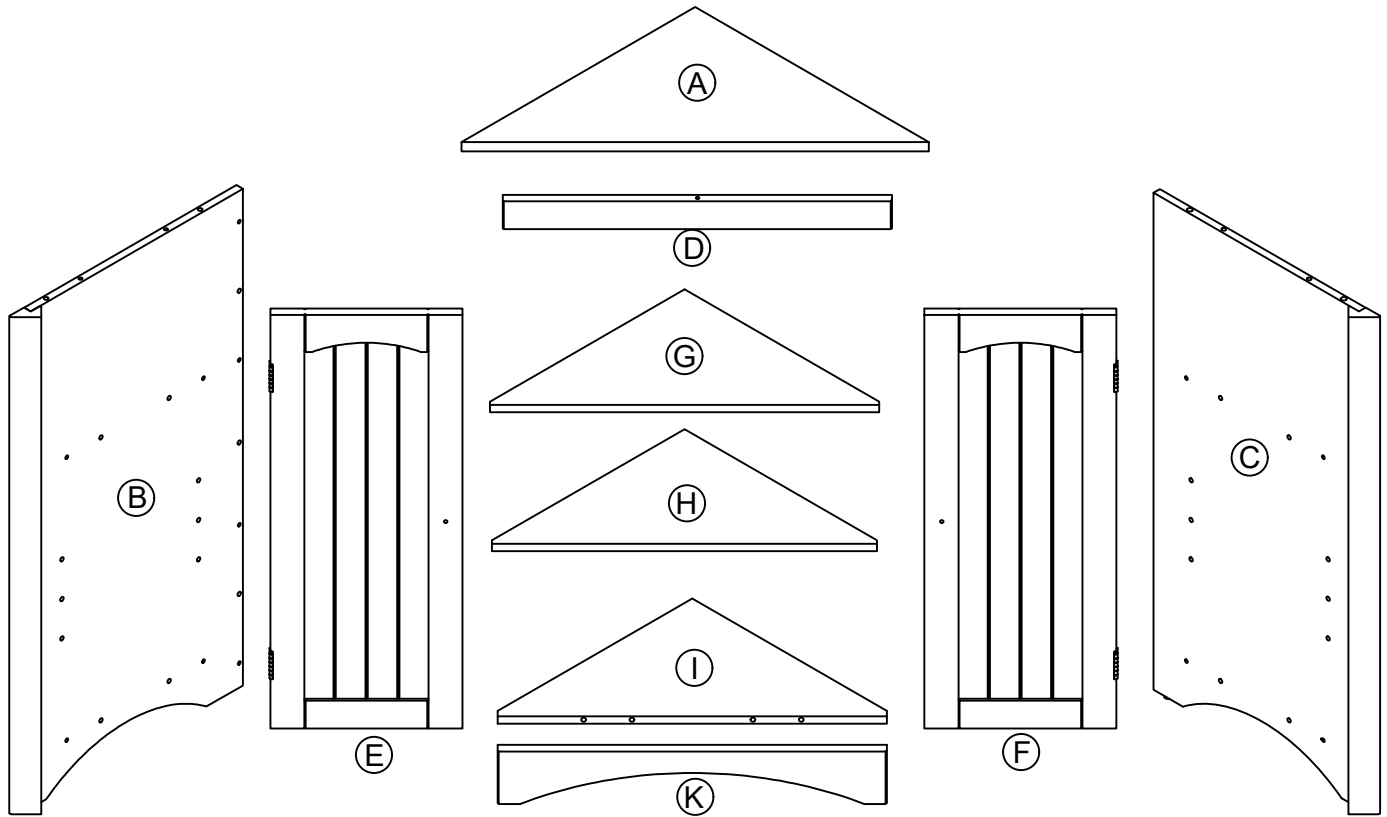


Installation & Assembly

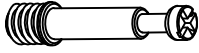

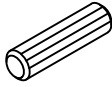
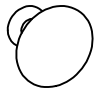

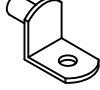

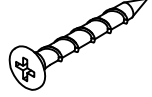

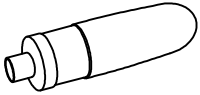

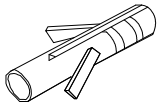

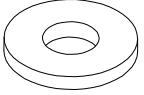


PACKAGE CONTENTS

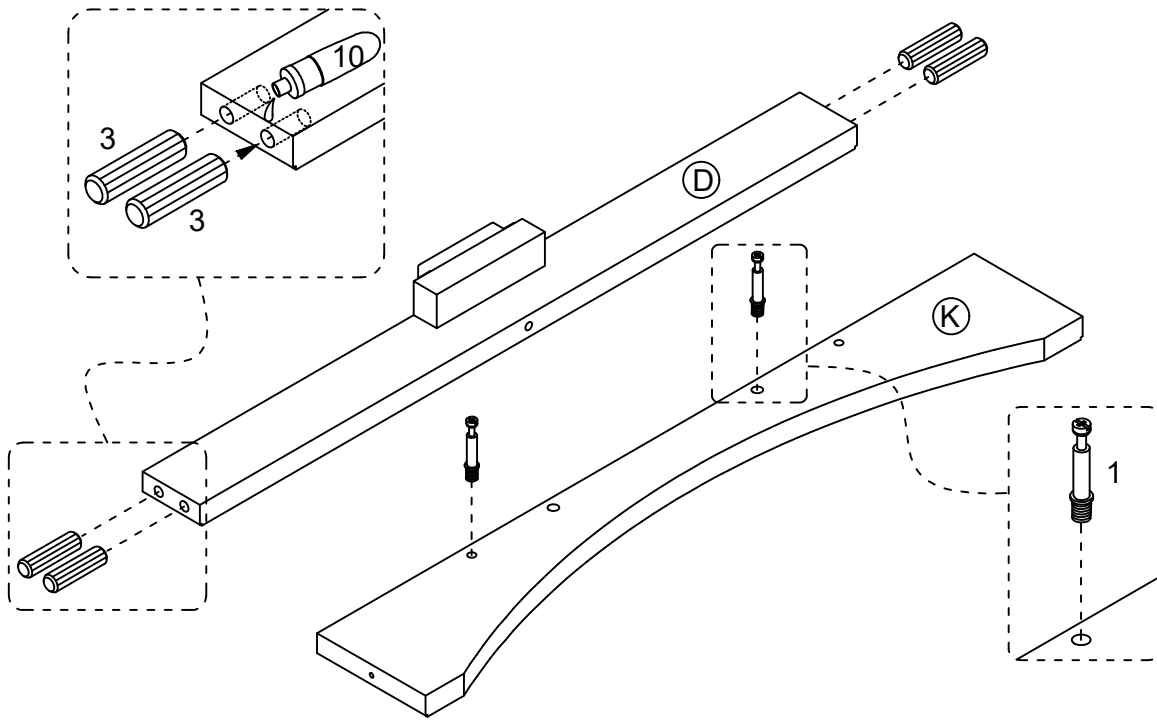


PART	DESCRIPTION	QTY		PART	DESCRIPTION	QTY
A	Top Panel	X1		F	Right Door	X1
B	Left Side Board	X1		G	Upper Shelf	X1
C	Right Side Board	X1		H	Shelf	X1
D	Front Bar	X1		I	Base Panel	X1
E	Left Door	X1		K	Base Panel Front Rail	X1

HARDWARE CONTENTS

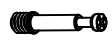
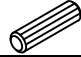

1	2	3	4
 <p>Ø6*33mm 18PCS</p>	 <p>Ø15*9mm 18PCS</p>	 <p>Ø6*30mm 21PCS</p>	 <p>2PCS</p>
5	6	7	8
 <p>5/32"*19mm 2PCS</p>	 <p>4PCS</p>	 <p>Ø3*10mm 4PCS</p>	 <p>Ø4*38mm 4PCS</p>
9	10	11	12
 <p>Ø3*12mm 8PCS</p>	 <p>1PC</p>	 <p>Ø4*20mm 1PC</p>	 <p>1PC</p>
13	14		
 <p>1PC</p>	 <p>2PCS</p>		

STEP1

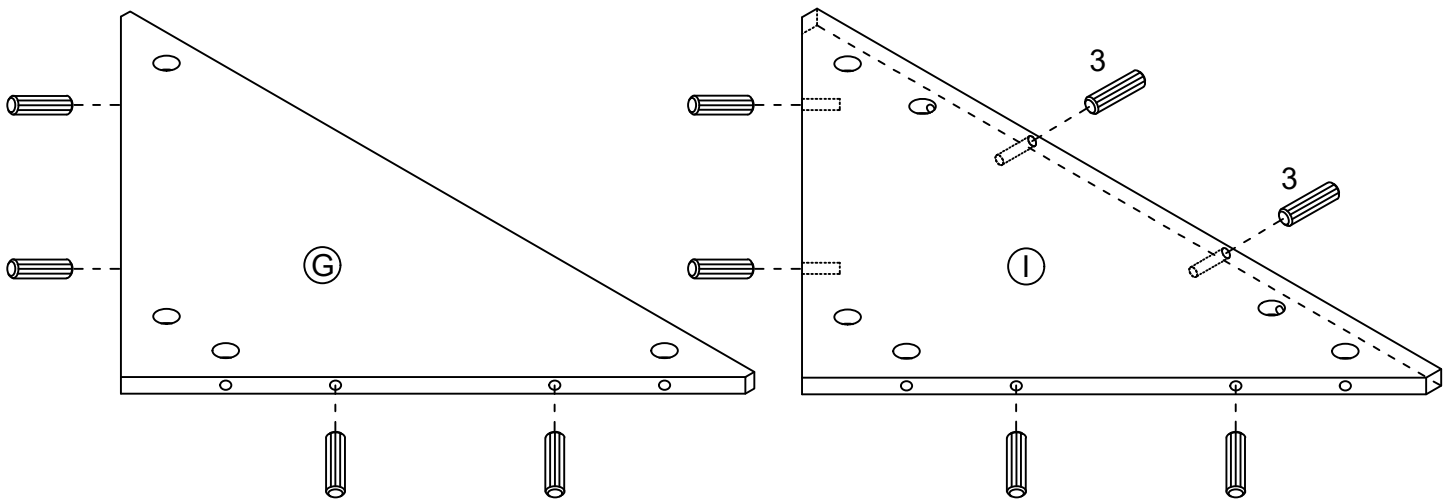
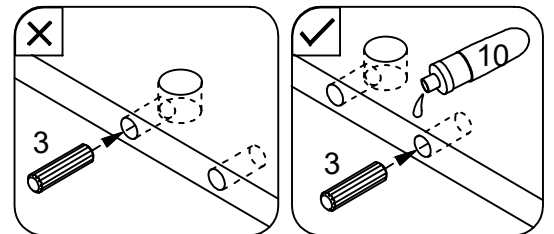


Glue the wood dowels 3 into the inner holes on the side panels D.

NOTE: It is very important to use a small amount of glue 10 on ends of dowels and wipe away excess glue immediately.

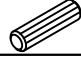

	1 x 2pcs
	3 x 4pcs
	10 x 1pc

STEP2

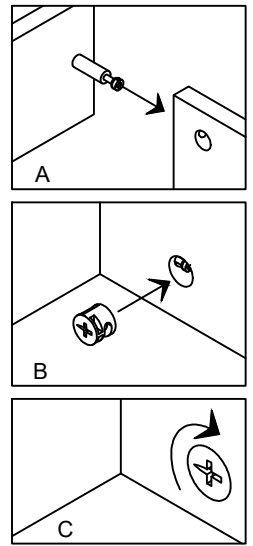
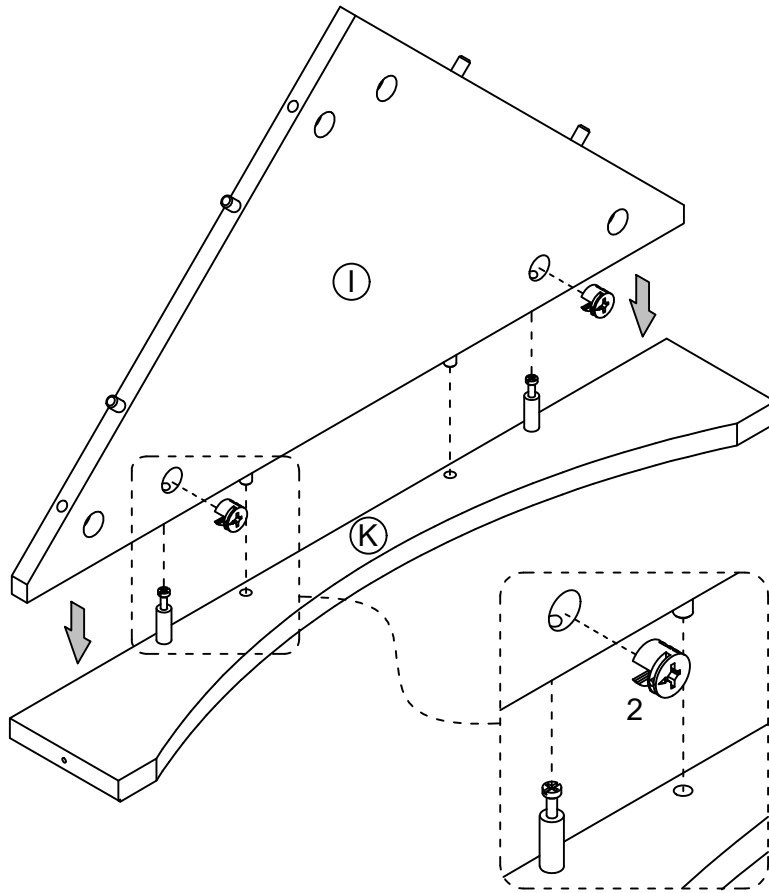


Glue the wood dowels 3 into the inner holes on the front upper rail G and I .

NOTE: It is very important to use a small amount of glue 10 on ends of dowels and wipe away excess glue immediately.

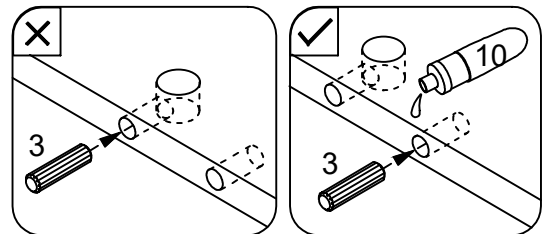
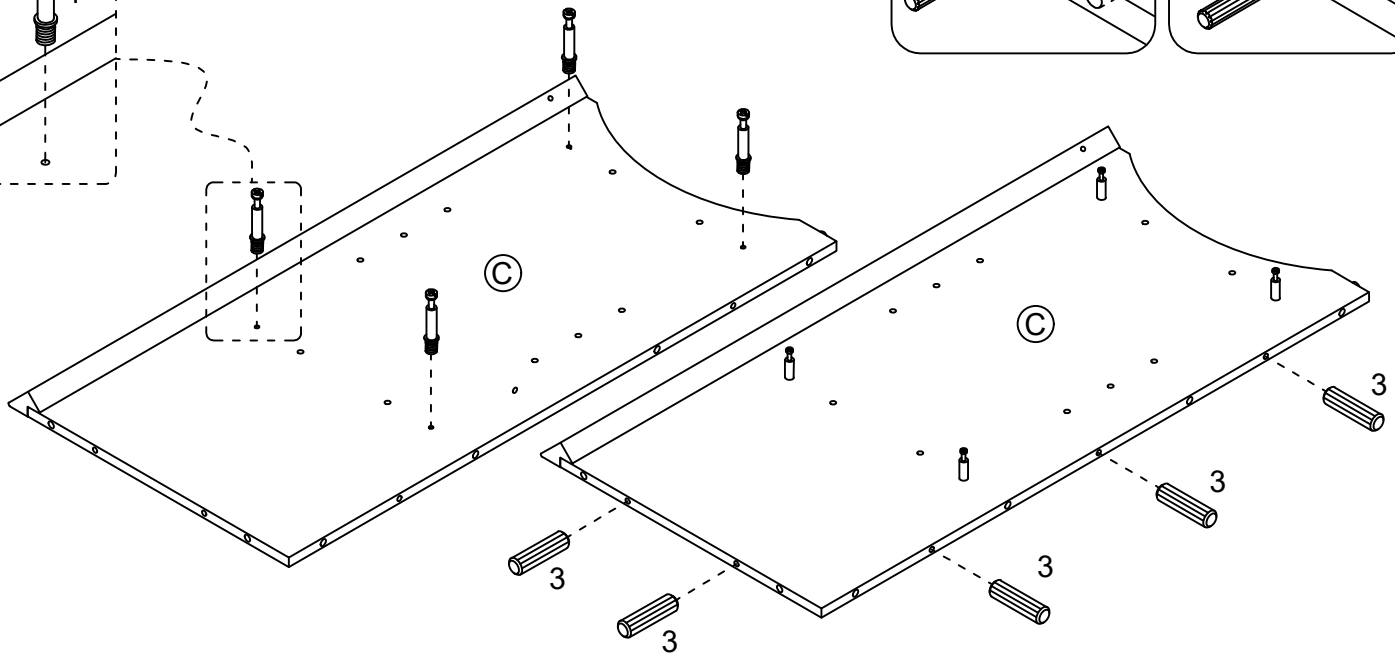
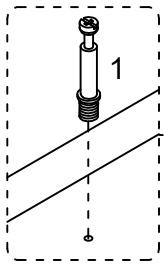
	3 x 10pcs
	10 x 1pc

STEP3



	2 x 2pcs
--	----------

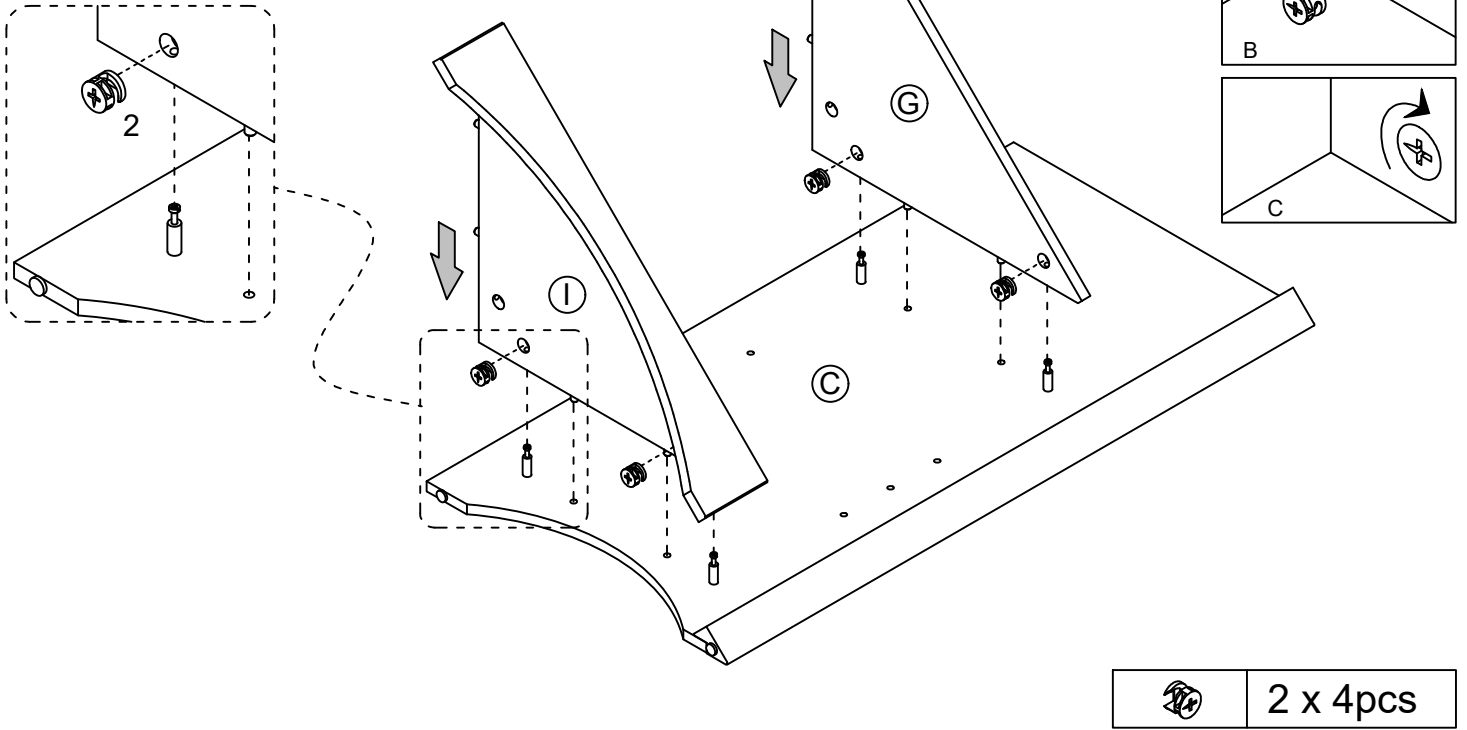
STEP4



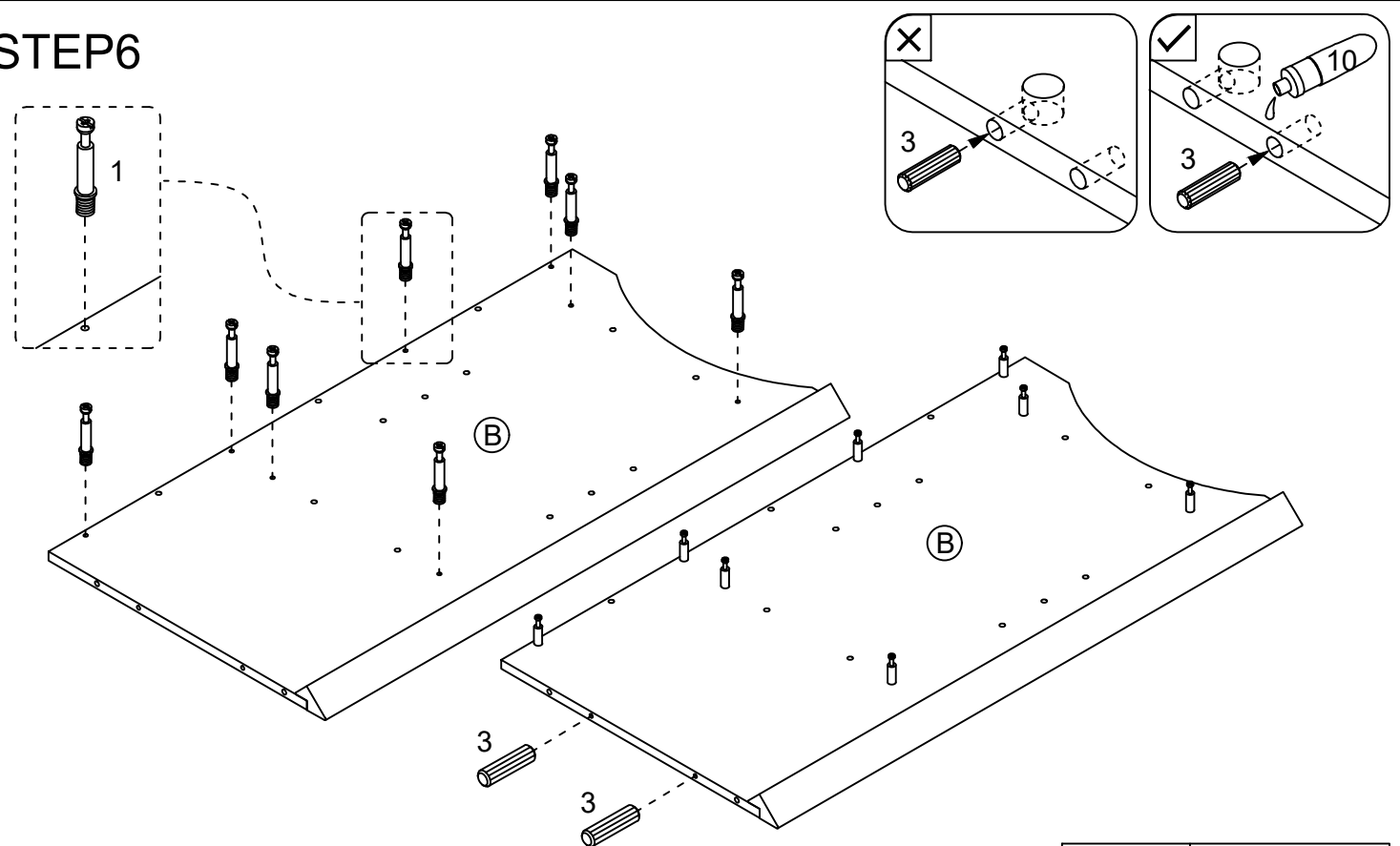
Glue the wood dowels 3 into the inner holes on the side panels C.
 NOTE: It is very important to use a small amount of glue 10 on ends of dowels and wipe away excess glue immediately.

	1 x 4pcs
	3 x 5pcs
	10 x 1pc

STEP5

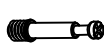
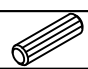



STEP6

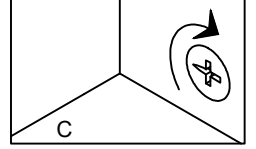
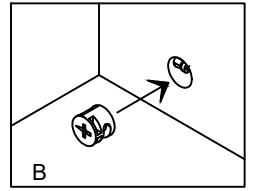
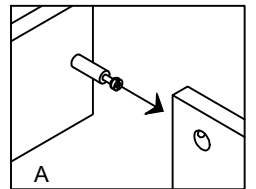
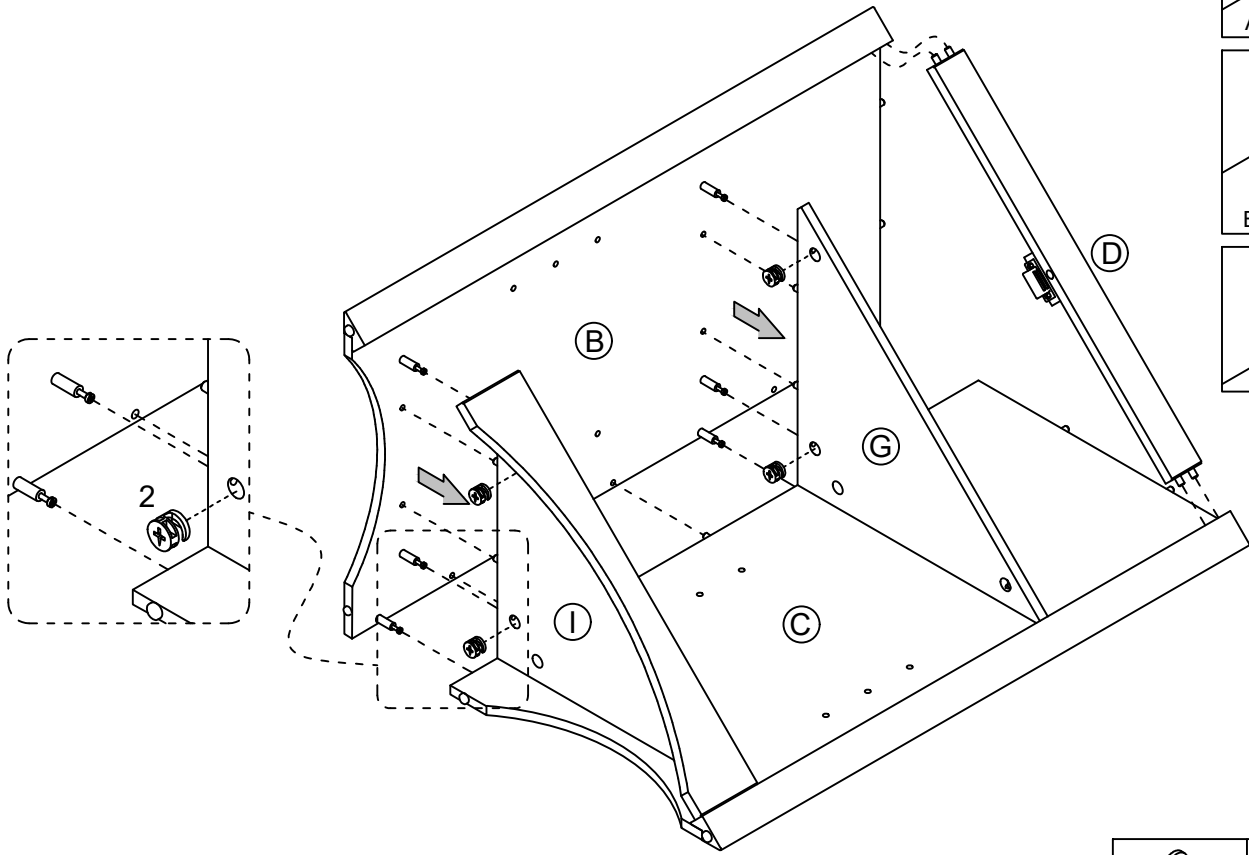



Glue the wood dowels 3 into the inner holes on the side panels B.

NOTE: It is very important to use a small amount of glue 10 on ends of dowels and wipe away excess glue immediately.

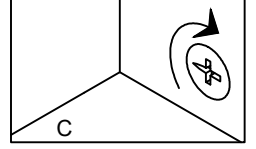
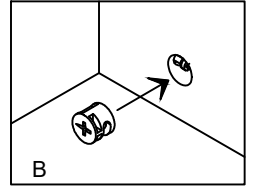
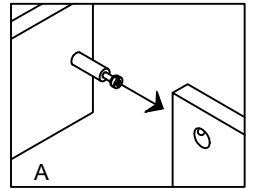
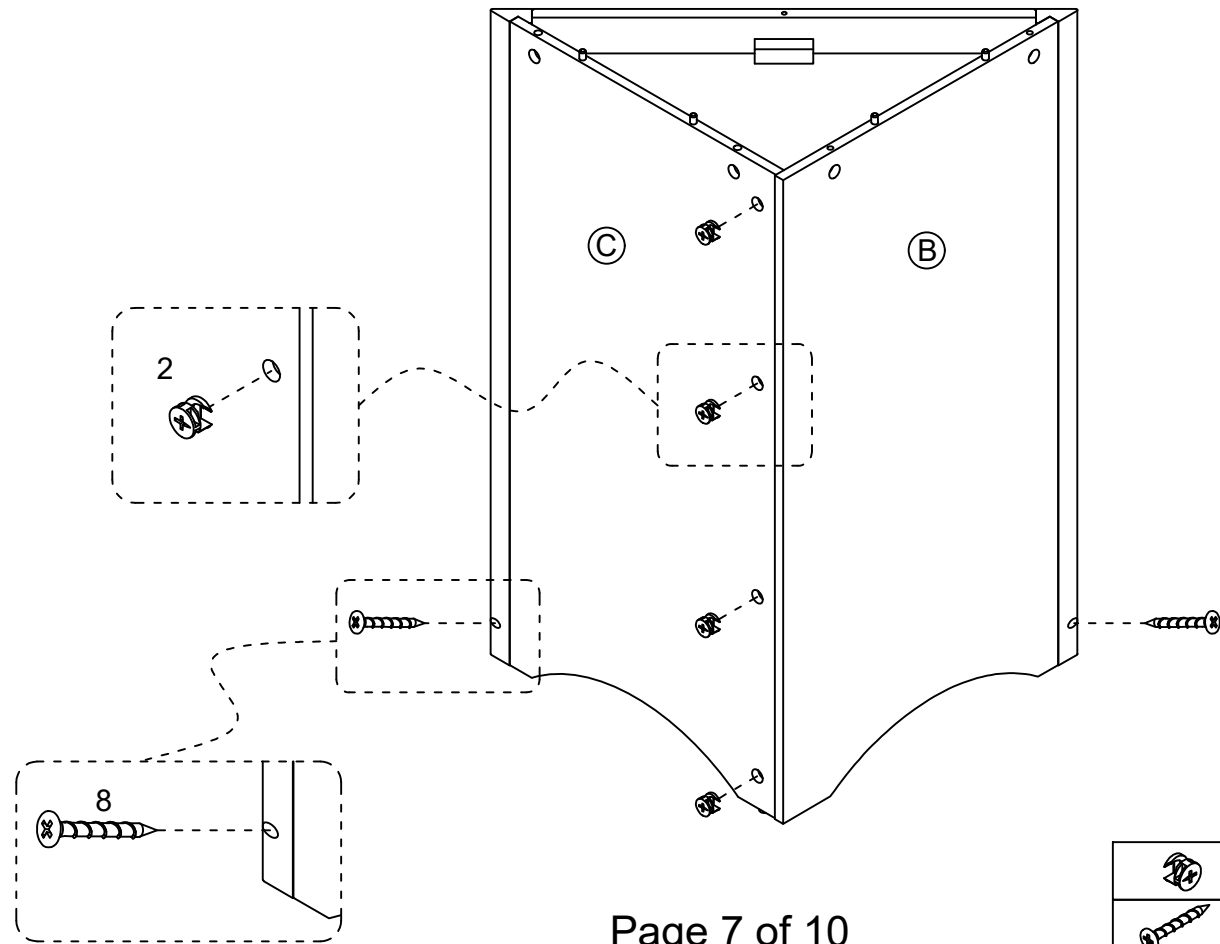
	1 x 8 pcs
	3 x 2 pcs
	10 x 1 pc



STEP 7



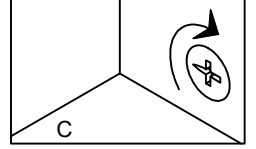
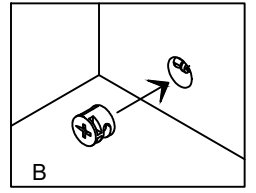
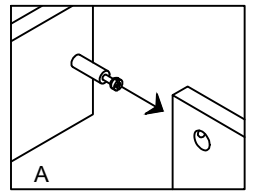
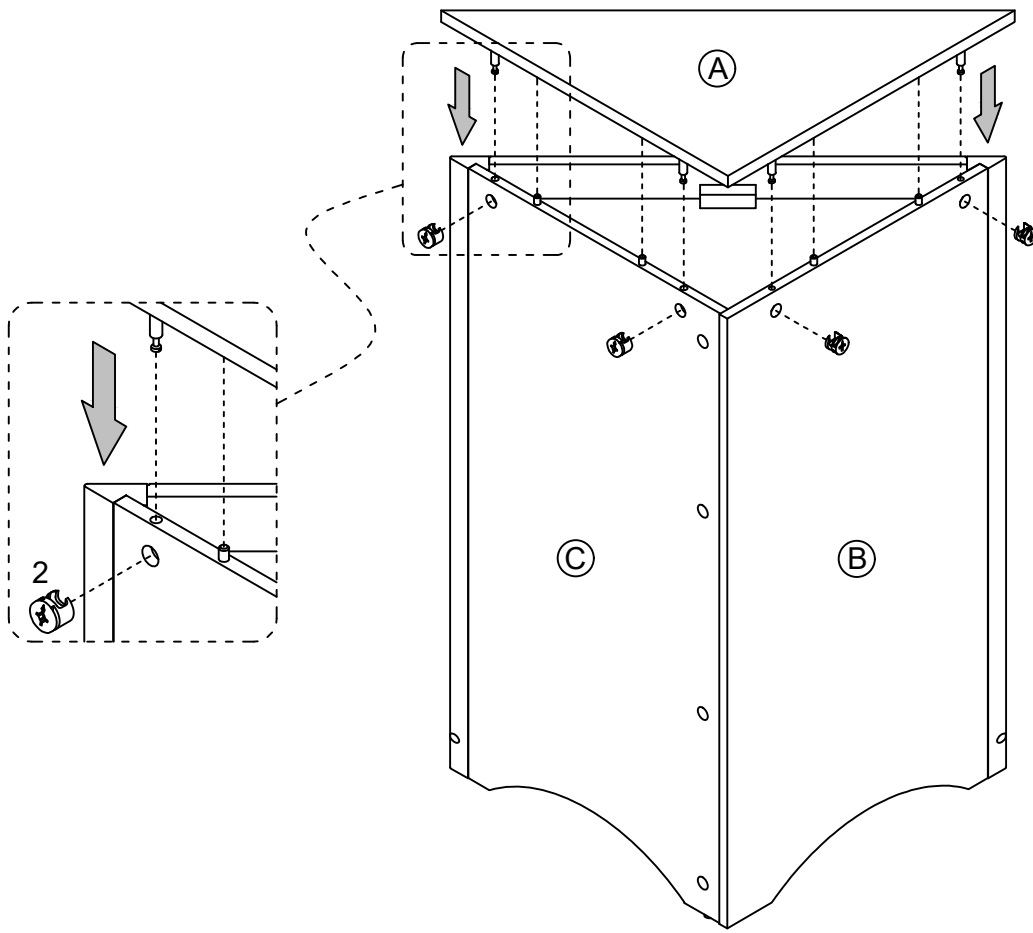
	2 x 4 pcs
---	-----------


STEP 8



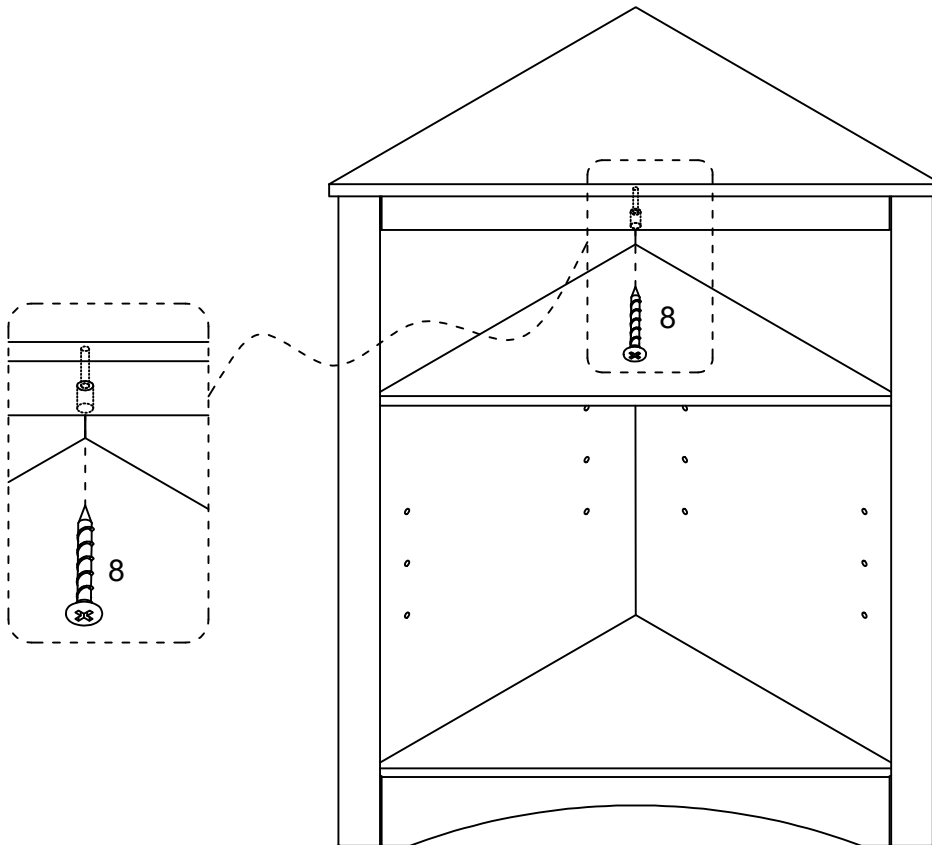
	2 x 4 pcs
	8 x 2 pcs


STEP9



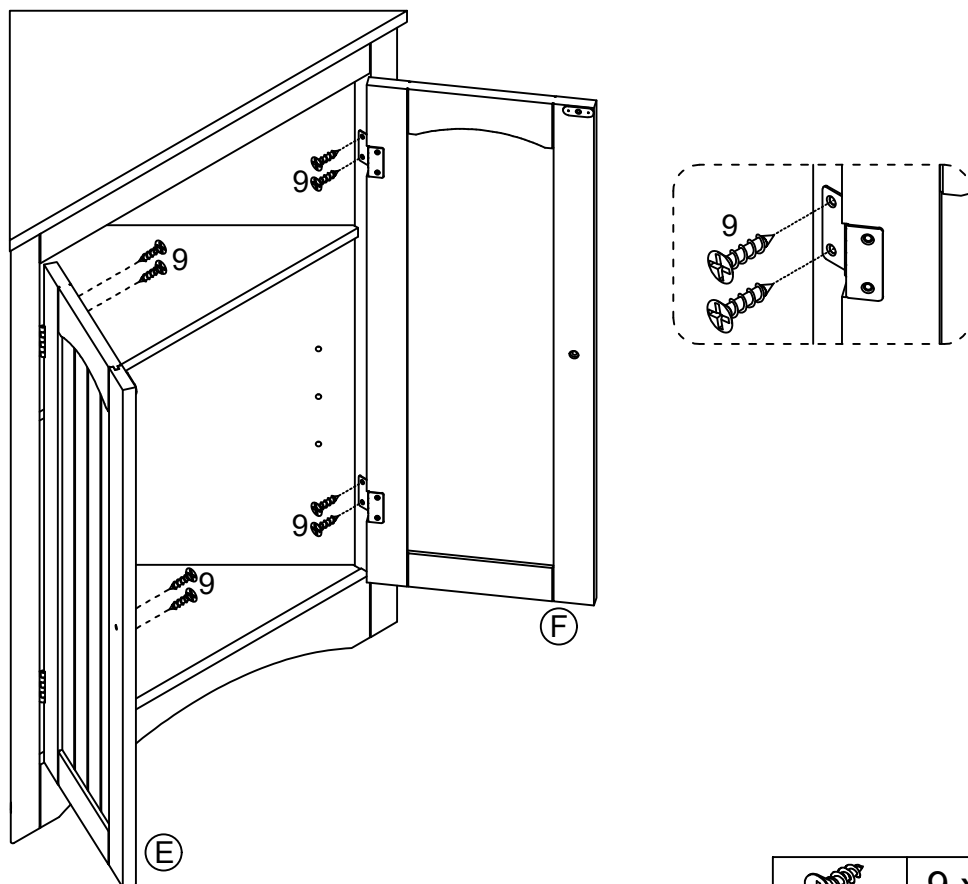
 2 x 4pcs


STEP10



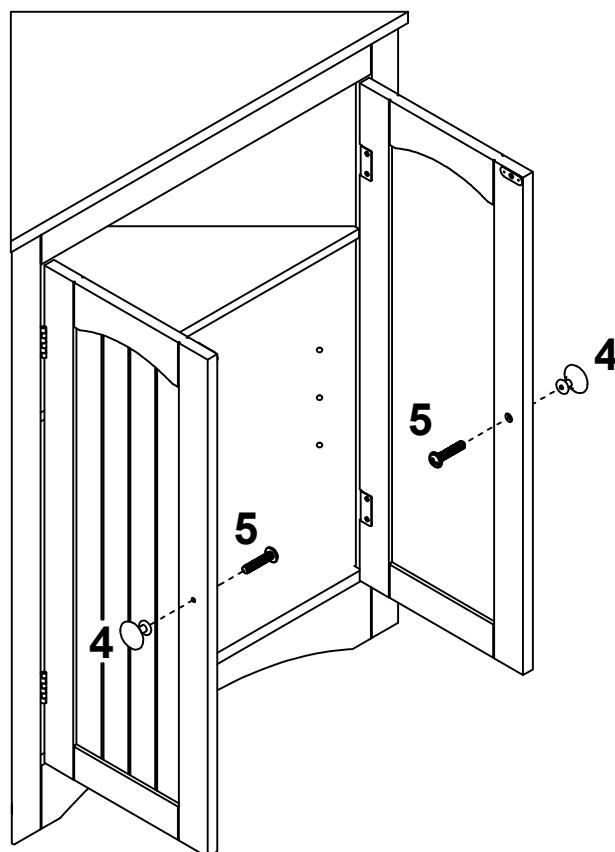
 8 x 1pc



STEP11



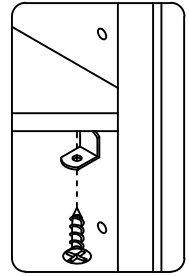
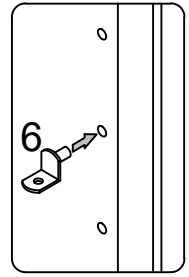
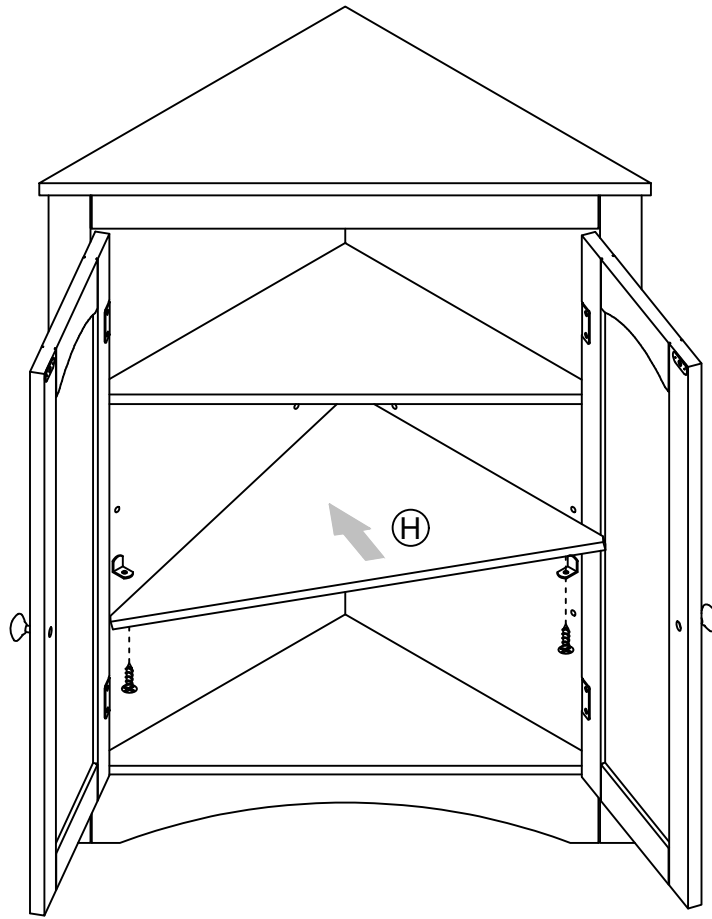
	9 x 8pcs
---	----------



STEP12



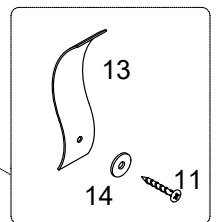
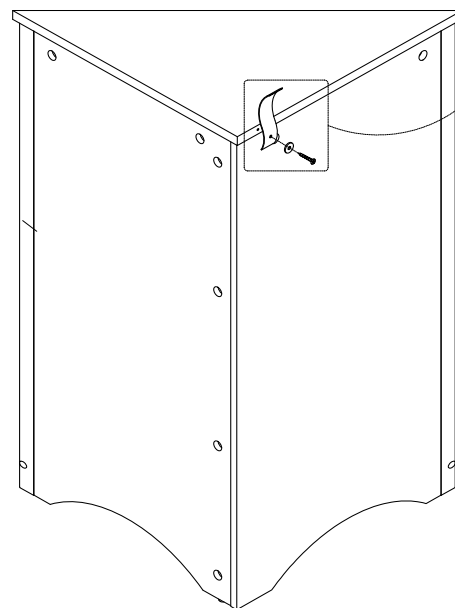
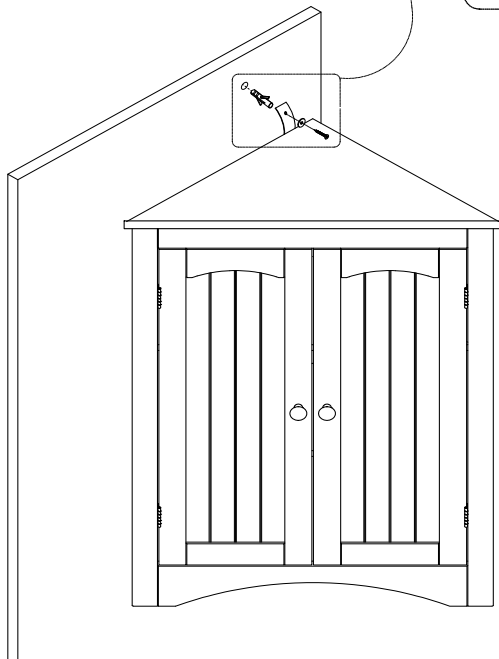
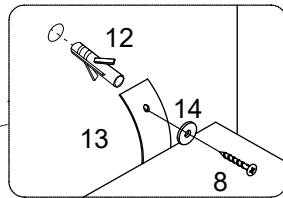
	4 x 2pcs
	5 x 2pcs






STEP13



	6 x 4pcs
	7 x 4pcs

STEP14



8		1pc
11		1pc
12		1pc
13		1pc
14		2pcs