

SELECTRONIC® SENSOR-OPERATED TOILET FLUSH VALVE, 1.1 GPF BATTERY POWERED



GENERAL DESCRIPTION:

Exposed, sensor-operated Selectronic® Toilet Flush Valve for floor-mounted or wall-hung 1-1/2" top spud flushometer bowls, 1.1 gpf.

PRODUCT FEATURES:

- **Factory-Installed CR-P2 Lithium Battery**
- **Self-Cleaning Piston** with integral wiper spring significantly reduces clogging and maintenance
- **No Routine Maintenance:** no diaphragms to replace; no filters to clean
- **Selectronic® Proximity System** with universal sensor provides hygienic, "hands free" operation
- **State-of-the-Art Electronics** prevent ghost flushing
- **Dezincification Resistant** brass alloy
- **Fully Mechanical Manual Override Button** can flush the valve without power
- **Fail-Safe:** Valve automatically closes upon loss of power or water pressure and does not need to be reset
- **Adjustable Sanitary Flush** cleans the fixture & maintains the trap seal.
- **Chemical Resistant EPDM Seals** for extended life
- **High Back Pressure Vacuum Breaker**
- **Adjustable Tailpiece**
- **Range can be adjusted manually or with optional remote control**
- **No external volume adjustment.**
- **Can be installed left or right handed**

MODEL NUMBER:

- **6065.111.002** Exposed, sensor-operated flush valve for 1-1/2" top spud flushometer bowls, 1.1 gpf.

Inlet includes 1" sweat solder kit and angle stop with back flow protection and vandal-resistant cap.

Outlet includes 1-1/2" high back pressure vacuum breaker with spud coupling and flange.

OPERATING PRESSURE:

25 psi (flowing) - 80 psi (static)

FLOW REQUIREMENT:

25 gpm (94.6 L/min.)

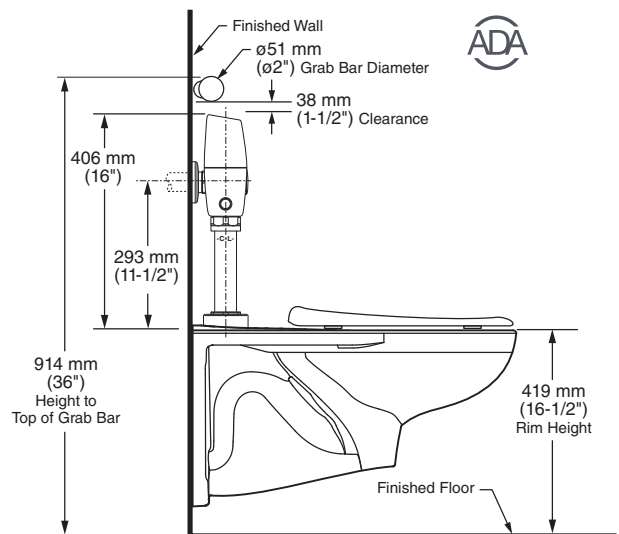
BATTERY LIFE:

4 years @ 4,000 flushes per month

OPTIONAL ACCESSORIES:

- Cast wall flange: 1" (6065.810)
- Split ring pipe supports: 2-1/2" C-E (6065.822) & 6" C-E (6065.862)

ADA WATER CLOSET INSTALLATION: AFWALL® TOILET SHOWN



** Flush Valve can be installed to meet ADA 2010 Section 609 when installed as shown

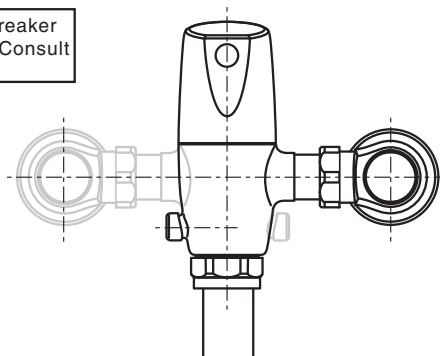
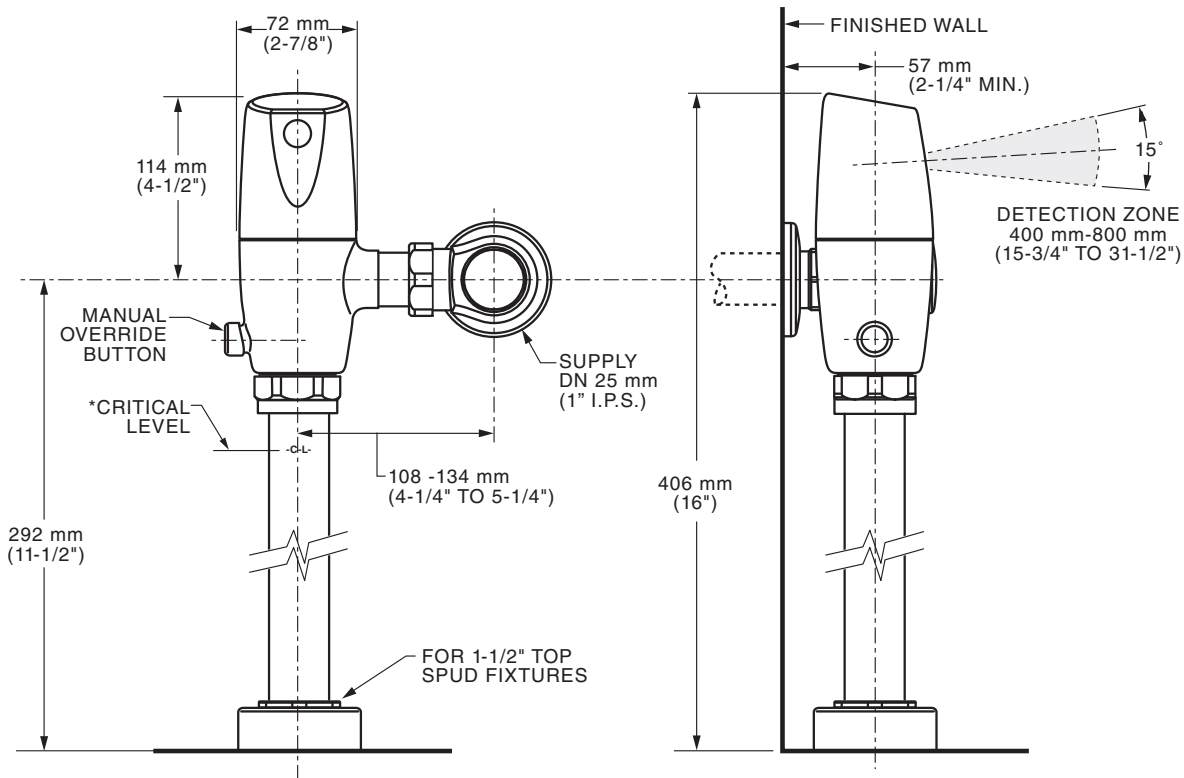
RECOMMENDED SPECIFICATION:

Electronic, sensor activated toilet flush valve shall feature self-cleaning piston valve with integral wiper spring in refill orifice to prevent clogging. Includes a factory-installed CR-P2 lithium battery and fully mechanical manual override that can flush the valve without power. Includes dezincification-resistant brass valve body and metal cover with chrome finish. Includes angle stop with back-flow protection & vandal-resistant cap. Sweat solder kit and high back pressure vacuum breaker also included. 1.1 gpf / 4.2 Lpf flush valve shall be American Standard Model # 6065.111.002.

LISTINGS:

- ASSE 1037
- ANSI/ASME A112.19.2
- ADA Compliant

Roughing-in Dimensions



Right or Left Hand Installation

NOTICE:

To ensure proper performance, this 1.1 gpf (4.2 Lpf) Toilet Flush Valve must be installed on a flushometer bowl that is certified (per ASME A112.19.2/CSA B45.1) to operate at 1.1 gpf (4.2 Lpf).