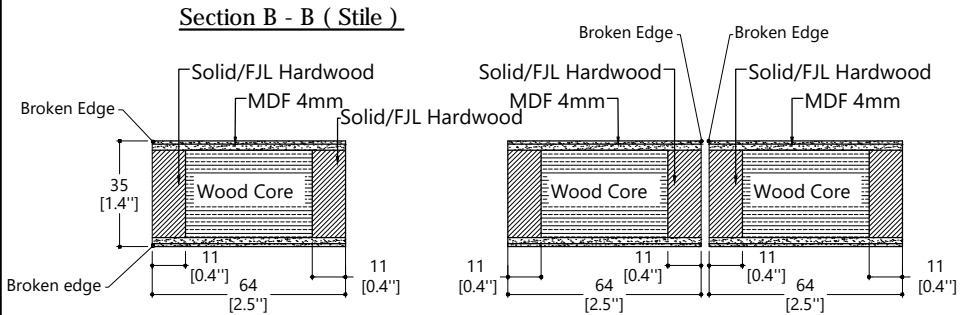
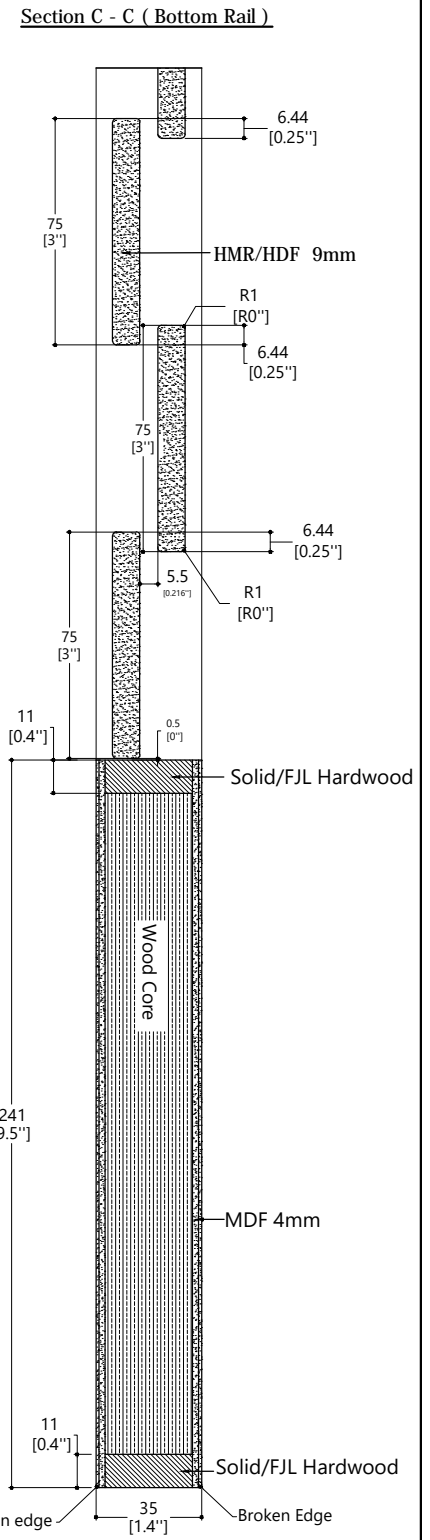
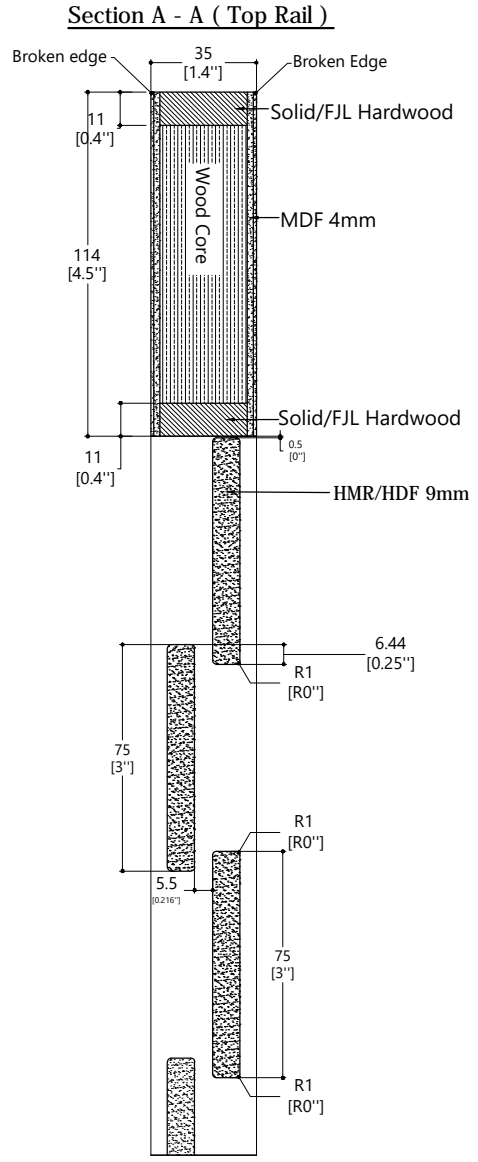
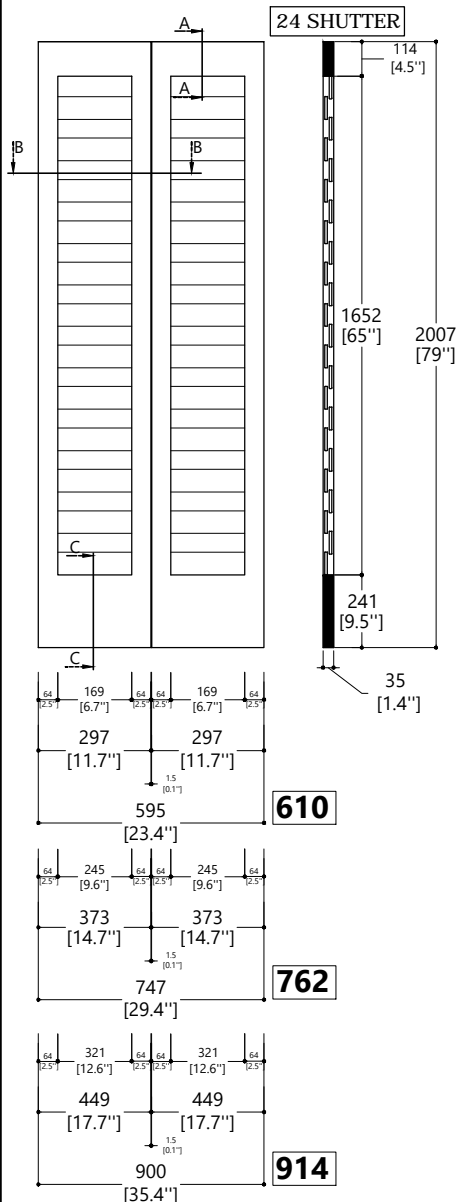


DRAWING APPROVAL



Note : Door Height tolerance +/- 1mm
Door Width tolerance +/- 1mm
Door Thickness tolerance +/- 0.5mm
Squariness 1mm/meter
Bowling 0.2% Over length of door
Cupping 0.2% Over length of door
Twist 0.2%

EAN CODE : -	Name : SHADOW LOUVER BIFOLD				Checked :	Approved :	Buyer :
SKU : -	1 - 3/8" x 79" WP (FL-DSTR)						
	Type :	Model :	Species :	Finishing :	Produk :		
	INTERNAL	Solid Engineering Door	MDF	WHITE PRIMED WATERBASE	DOOR		
Customer :			Rev/Date : /12-06-2024 Rev. MDF 4mm		Date : 30 Mei 2024		Page : 1