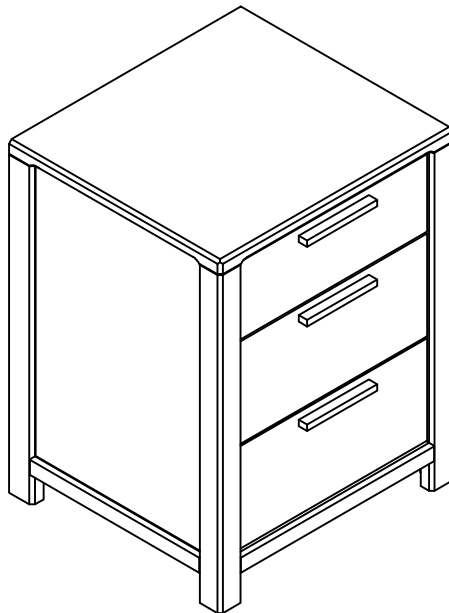
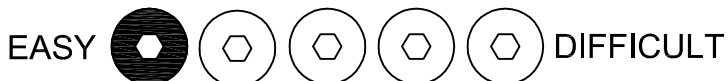


# Assembly Instructions



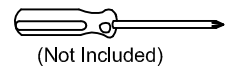
## ASSEMBLY RATING

The Assembly Rating is a 5-point system that shows the degree of effort needed in assembling a specific product (with 1 being easy and 5 being difficult). For some products, two persons are recommended.

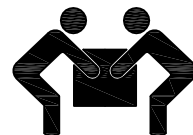


## Tools Required For Assembly:

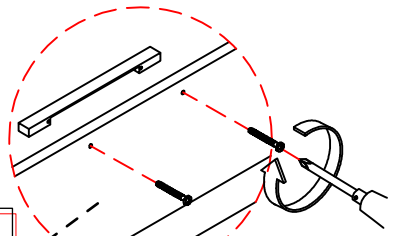
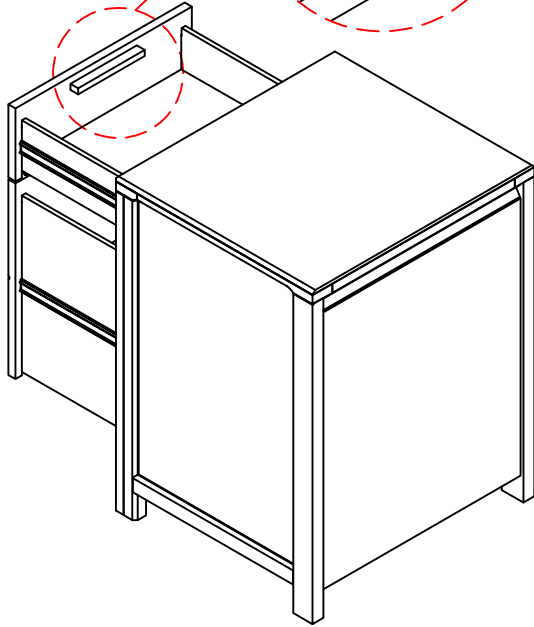
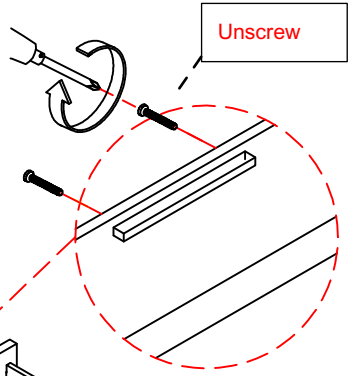
Phillips Screwdriver



(Not Included)



2 PERSONS RECOMMENDED



Align the handle to the outer side, then re-insert the screws and secure.

