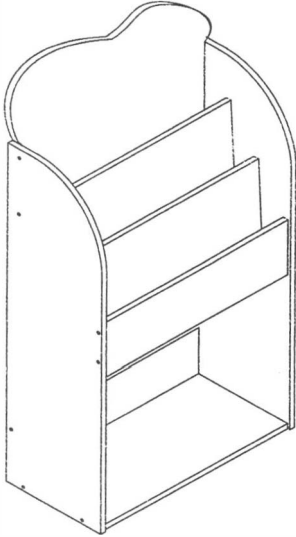
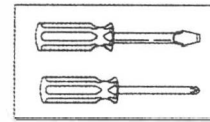
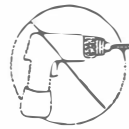


Kid Safari Bookshelf



TOOLS REQUIRED:

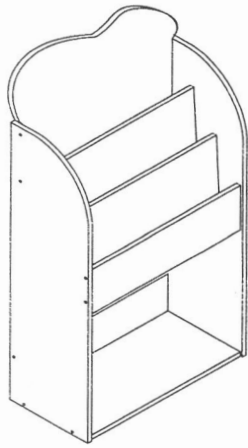
1. Cross Screwdriver(not supplied)
2. Slotted Screwdriver(not supplied)



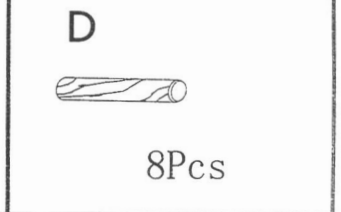
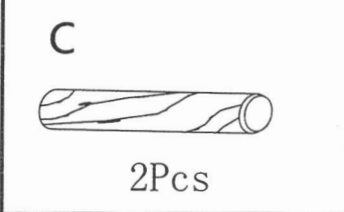
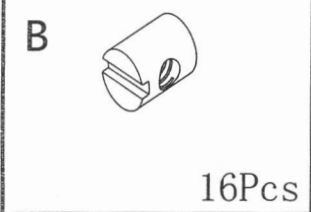
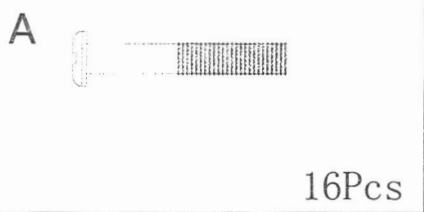
WARNING – ASSEMBLY BY ADULTS ONLY

CARE/CLEANING INSTRUCTIONS:

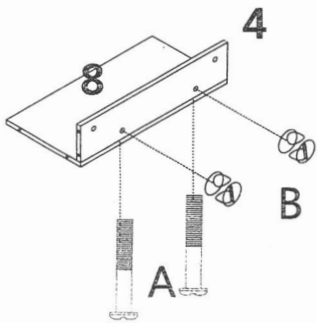
- Wipe furniture with a soft dry cloth, do not use paper as this may be abrasive to the finish
- The unit should be cleaned with a damp cloth and dried with a dry cloth
- Do not use bleach or chemical solutions to clean product
- Do not expose to sunlight or other heat sources for a prolonged period
- Products should not be stored or left outside
- Periodically check the tightening of screws



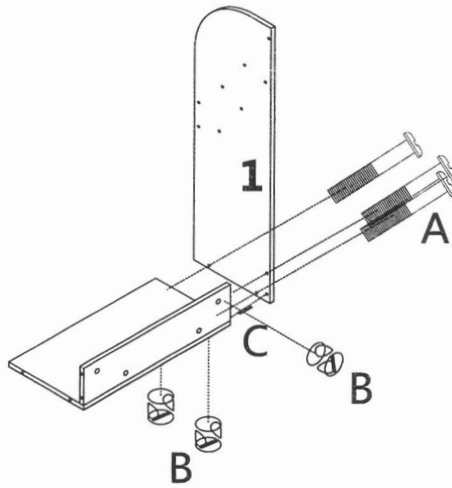
1 1Pc 	2 1Pc 	3 1Pc 	4 1Pc 	5 1Pc 	10 1Pc
6 1Pc 	7 3Pcs 	8 1Pc 	9 4Pcs 		10 1Pc



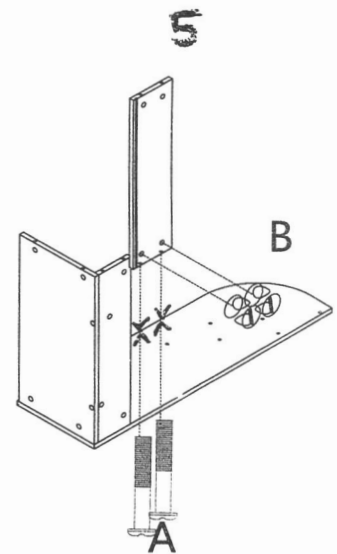
STEP 1



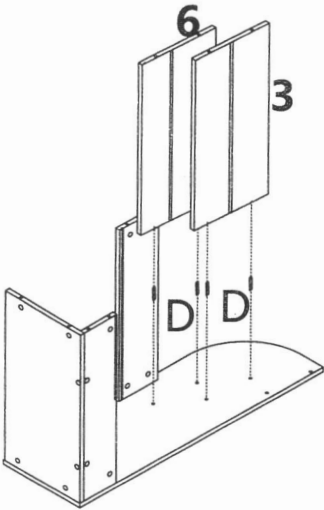
STEP 2



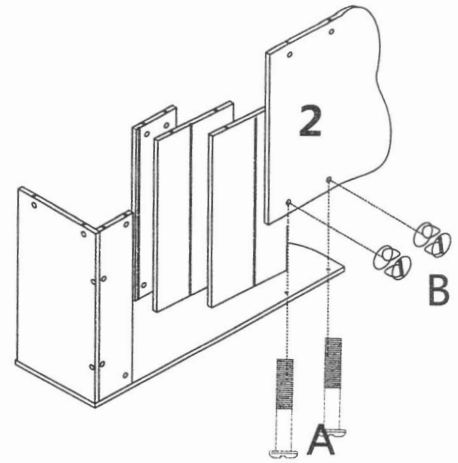
STEP 3



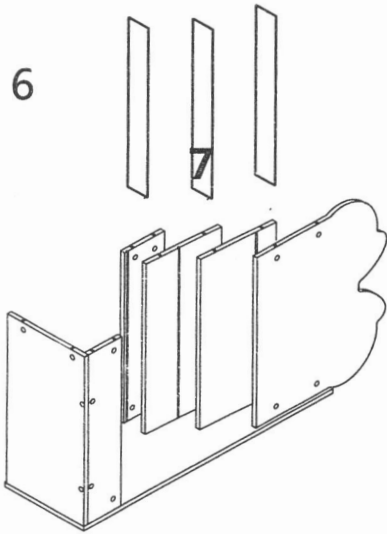
STEP 4



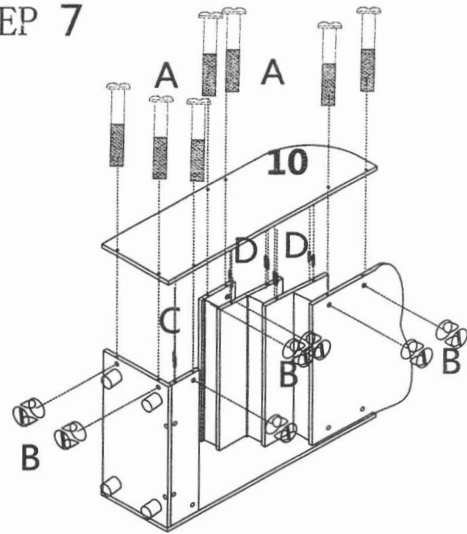
STEP 5



STEP 6



STEP 7



STEP 8

