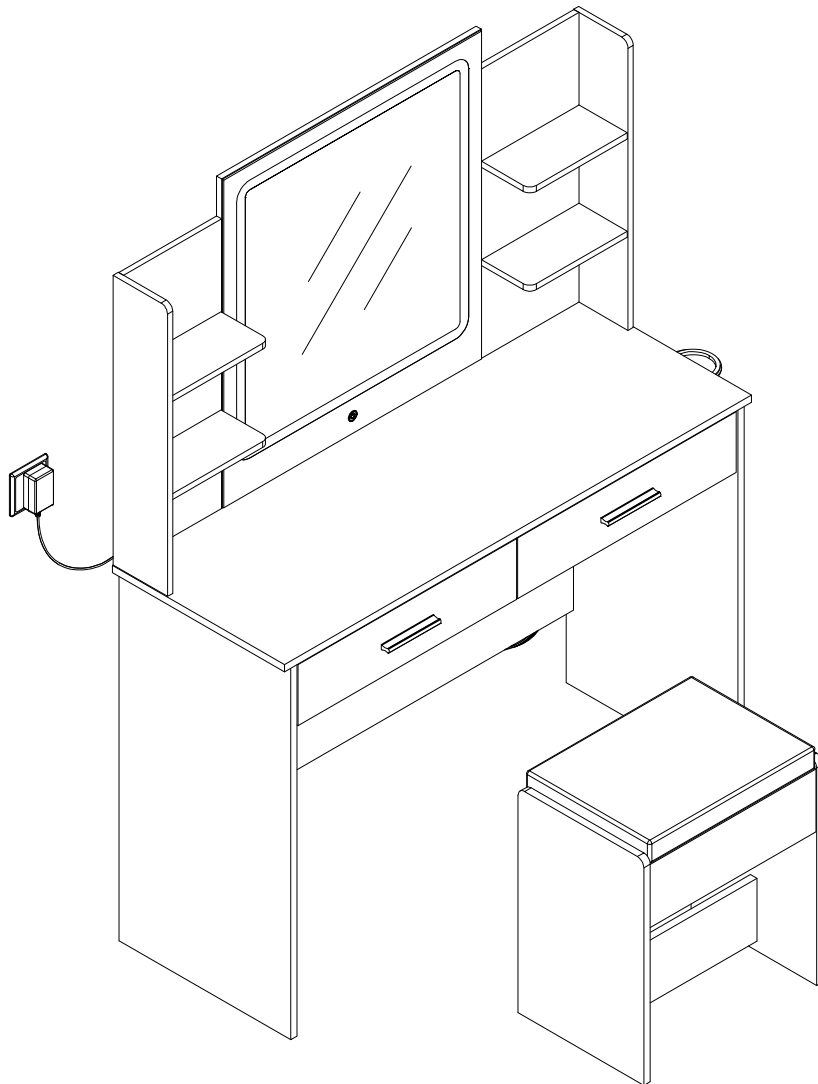


VANITY DESK



THIS INSTRUCTION BOOKLET CONTAINS **IMPORTANT** SAFETY INFORMATION. PLEASE READ AND KEEP FOR FUTURE REFERENCE.

EN

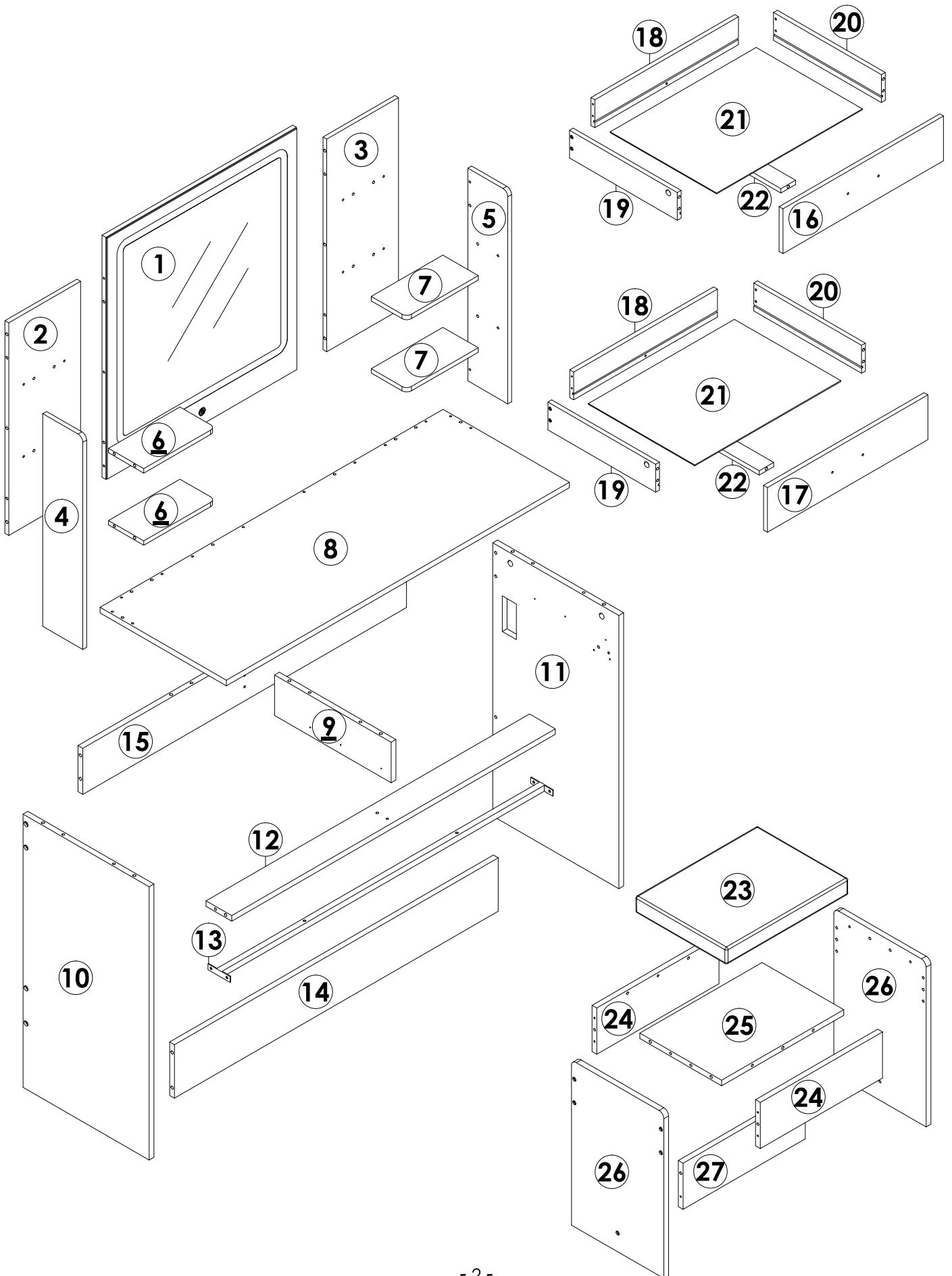


Before You Start

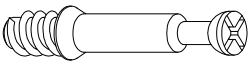
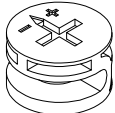
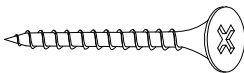

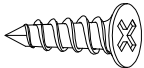
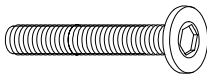

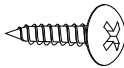
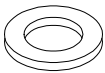
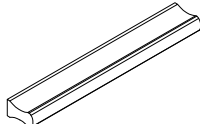
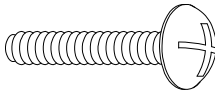
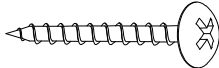

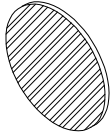
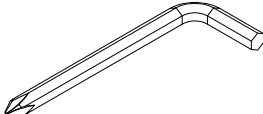
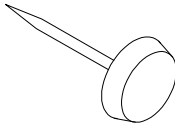
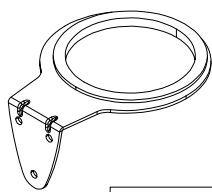
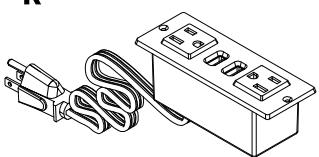
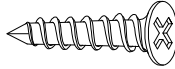
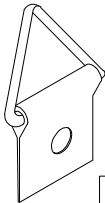
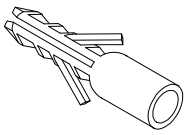
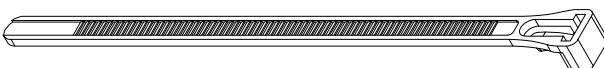
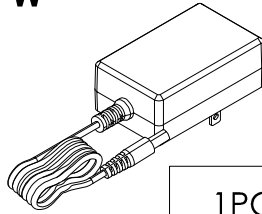
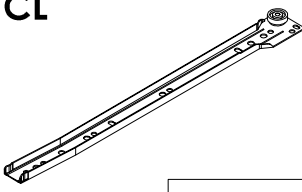
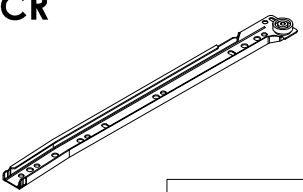
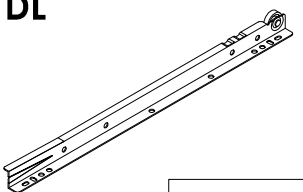
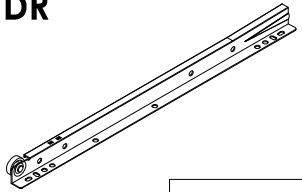
- ⚠ Please read all instructions carefully.
- ⚠ Retain instructions for future reference.
- ⚠ Separate and count all parts and hardware.
- ⚠ Read through each step carefully and follow the proper order.
- ⚠ We recommend that, where possible, all items are assembled near to the area in which they will be placed in use, to avoid moving the product unnecessarily once assembled.
- ⚠ Always place the product on a flat, steady and stable surface.
- ⚠ Keep all small parts and packaging materials for this product away from babies and children as they potentially pose a serious choking hazard.

If you're having difficulty, our friendly customer team is always here to help.

Parts List(EN) / Teile Liste(DE)

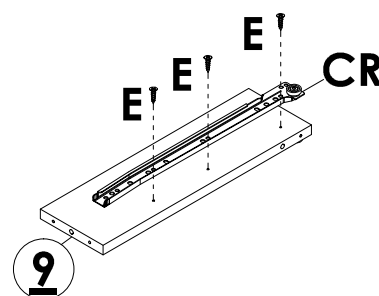
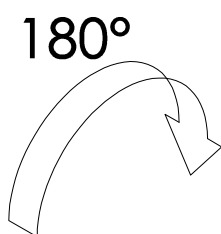
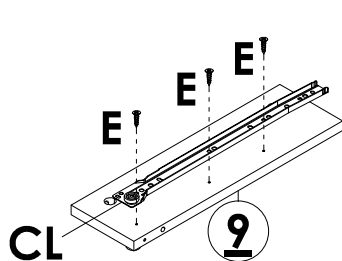
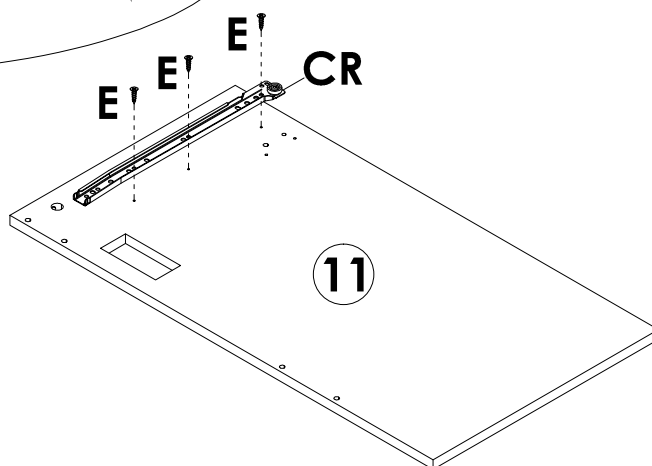
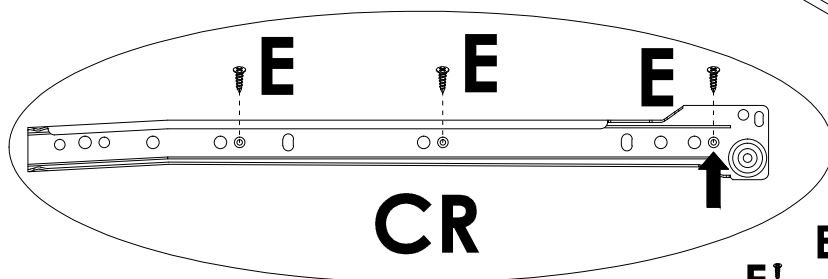
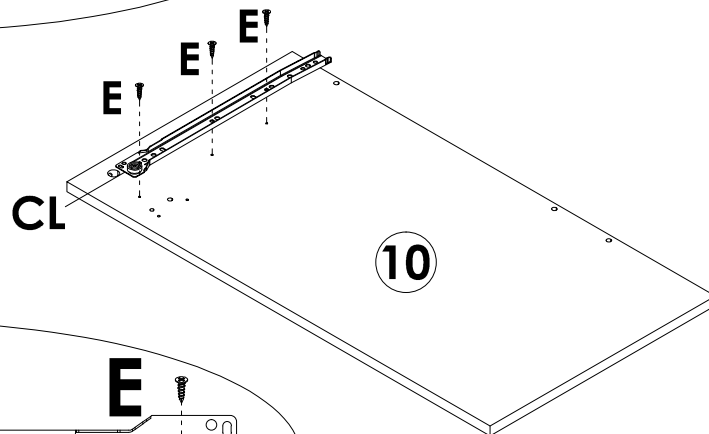
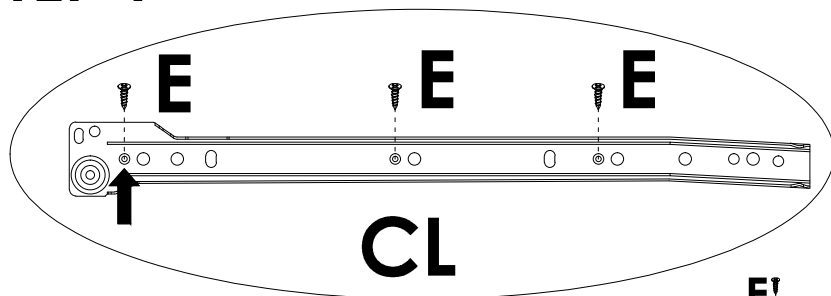



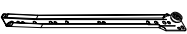

Parts List(EN) / Teile Liste(DE)

| | | | |
|--|--|---|--|
| <p>A</p>  <p>M6x35mm 38+2PCS</p> | <p>B</p>  <p>Ø15x9mm 38+2PCS</p> | <p>C</p>  <p>M4x40mm 35+2PCS</p> | <p>D</p>  <p>Ø6x30mm 58+2PCS</p> |
| <p>E</p>  <p>M3x12mm 24+2PCS</p> | <p>F</p>  <p>M6x45mm 8+1PCS</p> | <p>G</p>  <p>Ø10x10mm 8+1PCS</p> | <p>H</p>  <p>M4x12mm 7PCS</p> |
| <p>I</p>  <p>Ø10mm 8+1PCS</p> | <p>J</p>  <p>96mm 2PCS</p> | <p>K</p>  <p>M4x16mm 4PCS</p> | <p>L</p>  <p>M4x25mm 2PCS</p> |
| <p>M</p>  <p>M5x40mm 10+1PCS</p> | <p>N</p>  <p>Ø20mm 22+2PCS</p> | <p>O</p>  <p>M4mm 1PC</p> | <p>P</p>  <p>8+1PCS</p> |
| <p>Q</p>  <p>1PC</p> | <p>R</p>  <p>1PC</p> | <p>S</p>  <p>M3x14mm 4PCS</p> | <p>T</p>  <p>4PCS</p> |
| <p>U</p>  <p>Ø6x30mm 2PCS</p> | <p>V</p>  <p>2PCS</p> | | <p>W</p>  <p>1PC</p> |
| <p>CL</p>  <p>350mm 2PCS</p> | <p>CR</p>  <p>350mm 2PCS</p> | <p>DL</p>  <p>350mm 2PCS</p> | <p>DR</p>  <p>350mm 2PCS</p> |

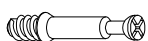
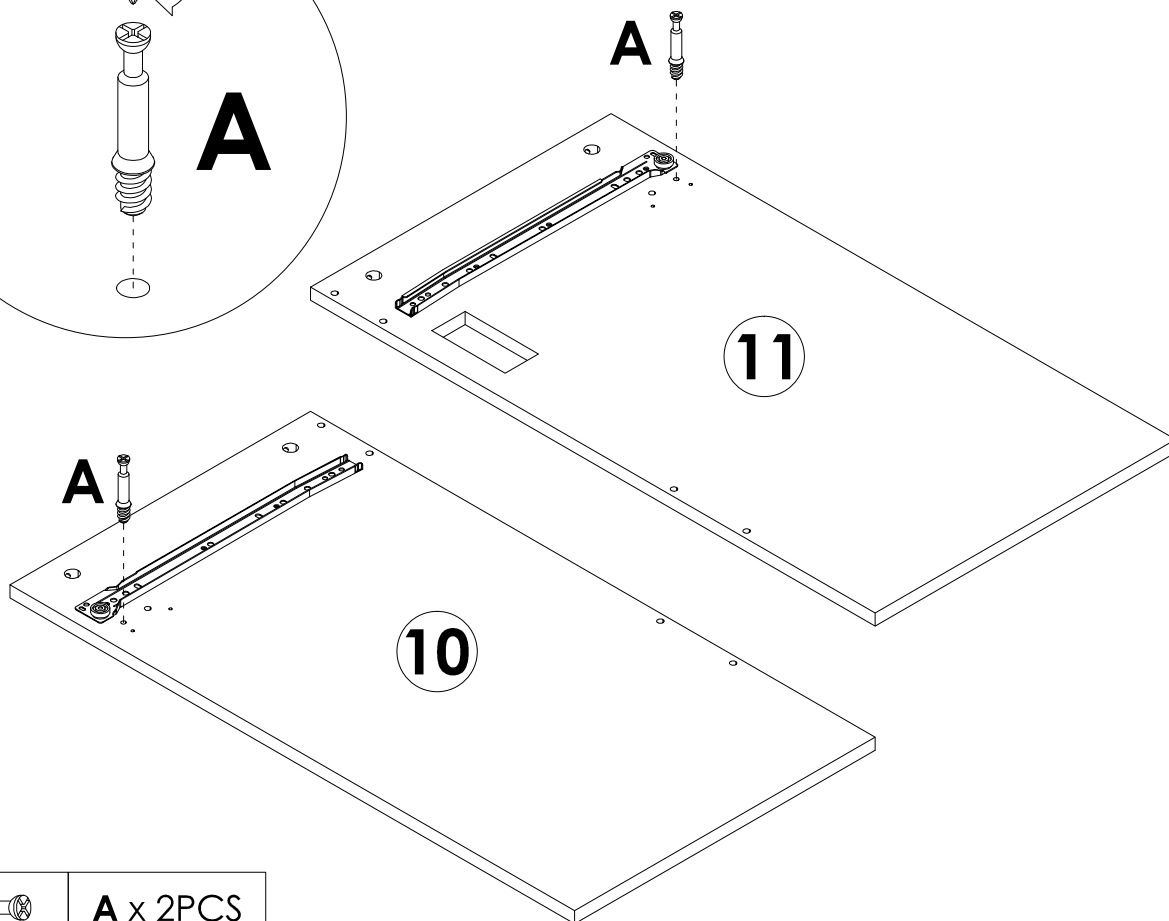
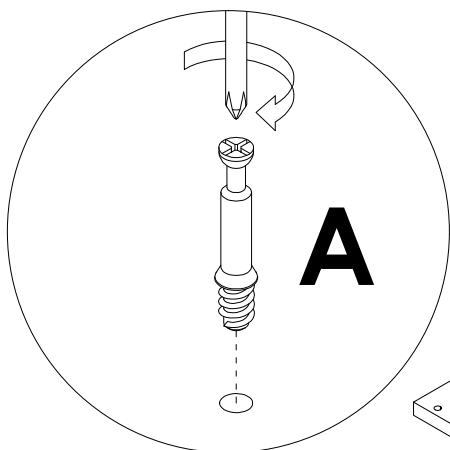
Assembly Steps(EN) / Montageschritte(DE)

STEP 1



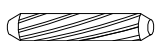
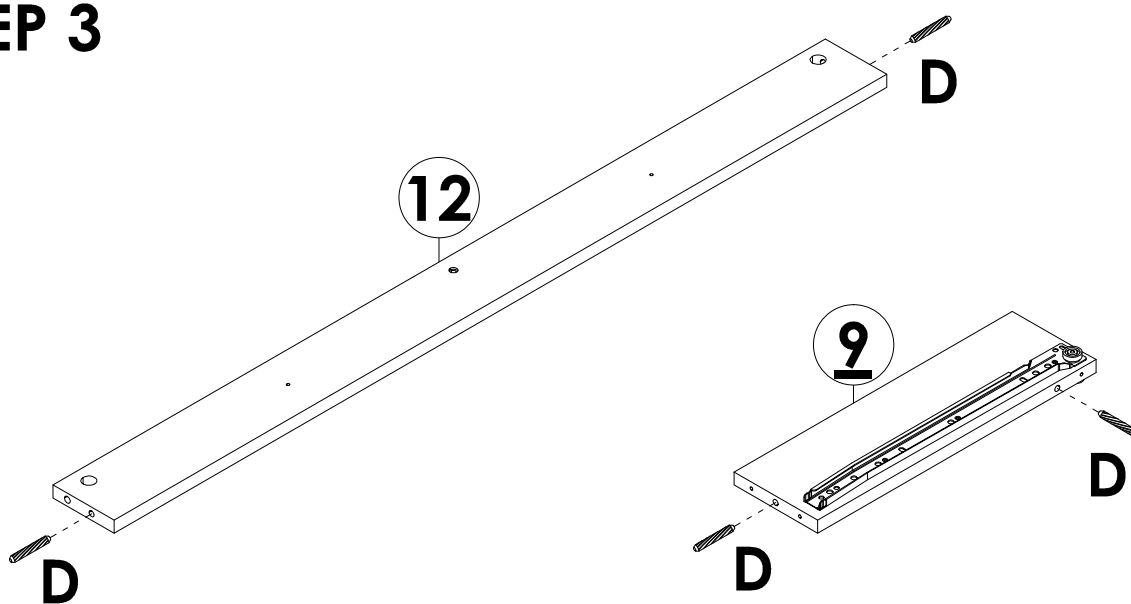
| | |
|---|-----------|
|  | E x 12PCS |
|  | CL x 2PCS |
|  | CR x 2PCS |

STEP 2



A x 2PCS

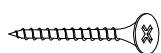
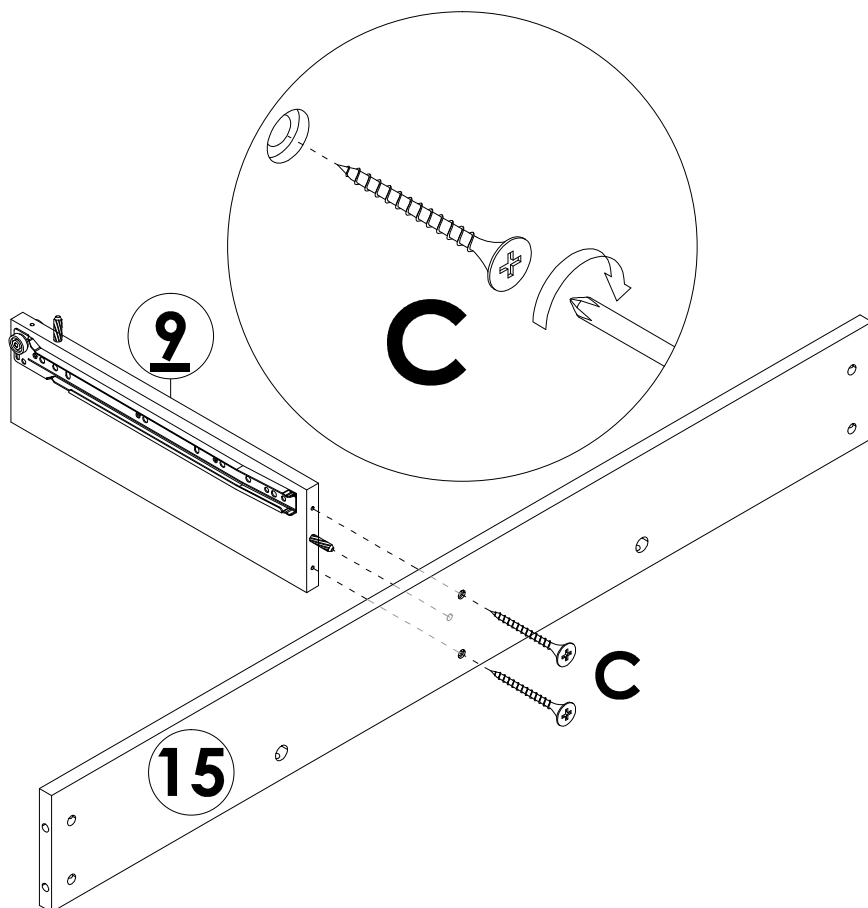
STEP 3



D x 4PCS

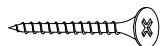
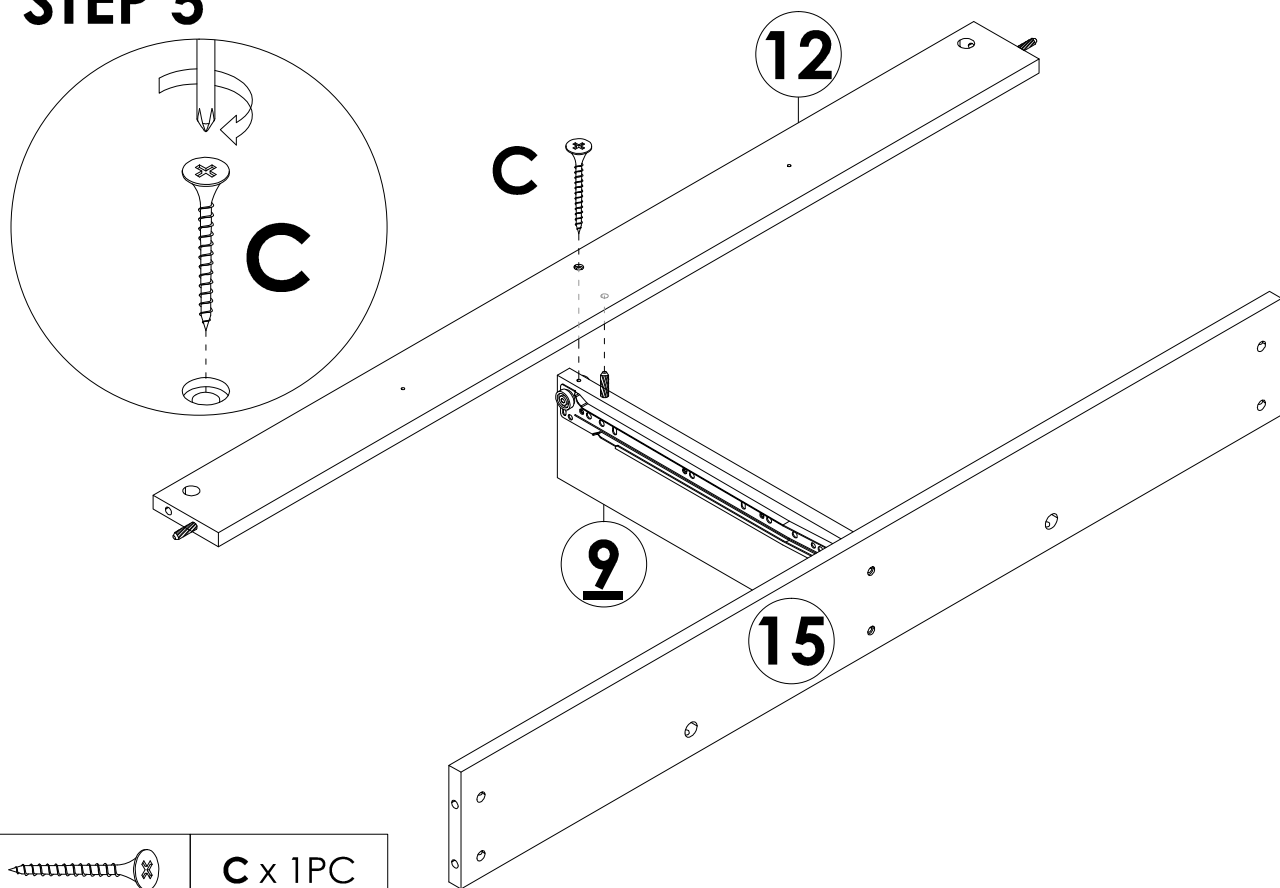
Assembly Steps(EN) / Montageschritte(DE)

STEP 4



C x 2PCS

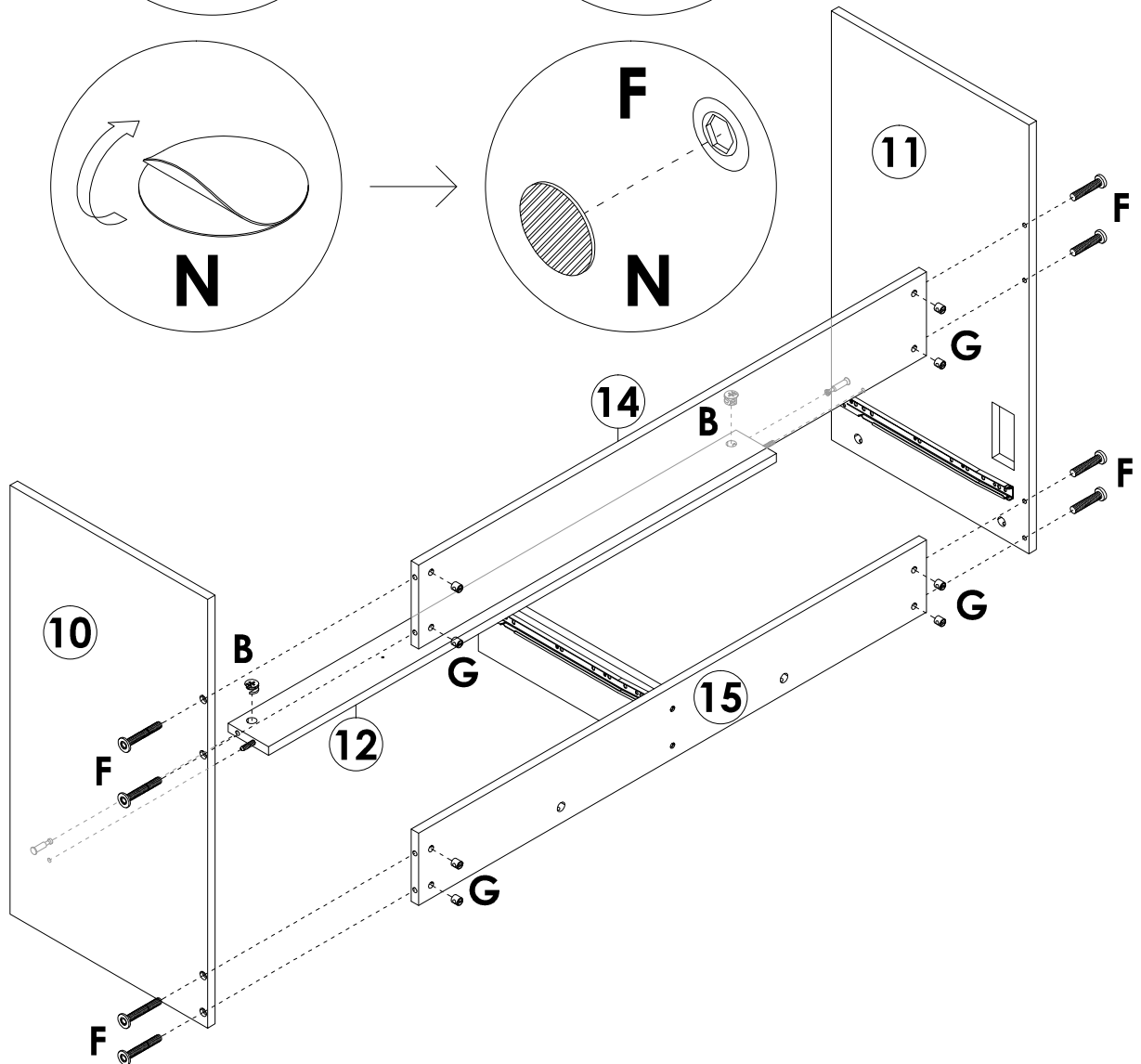
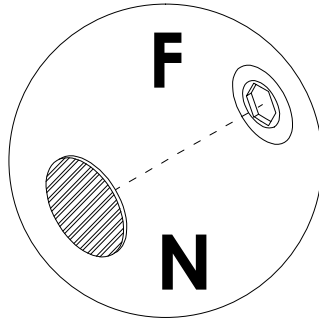
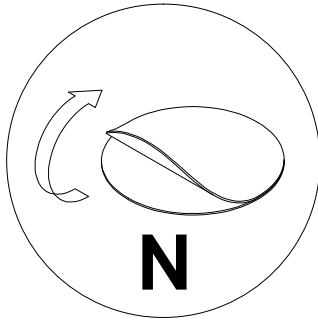
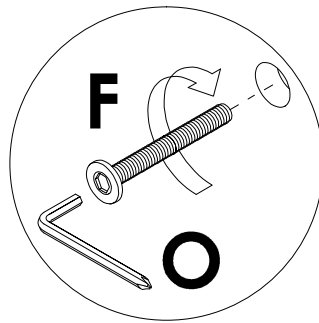
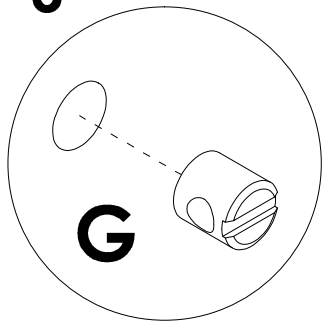
STEP 5



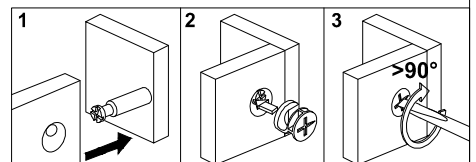
C x 1PC

Assembly Steps(EN) / Montageschritte(DE)

STEP 6

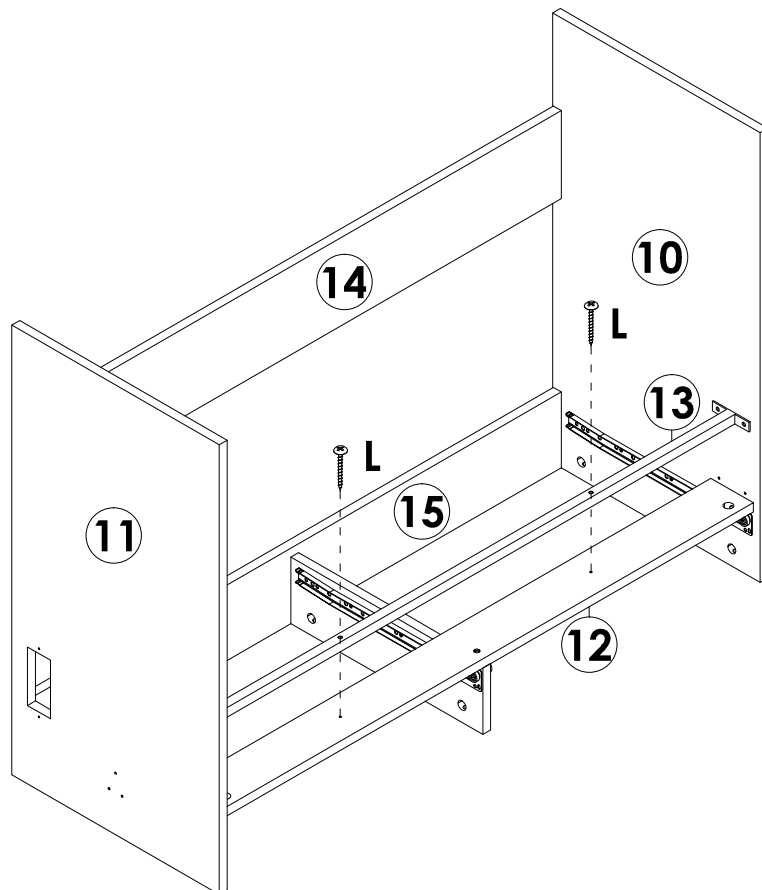
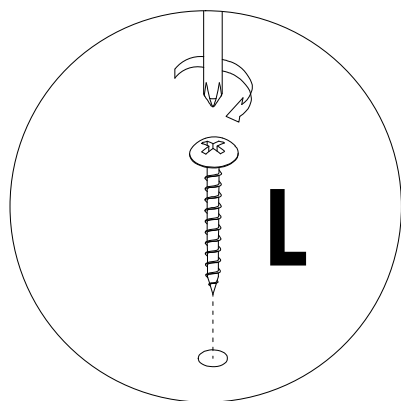


| | |
|--|-----------------|
| | G x 8PCS |
| | F x 8PCS |
| | N x 8PCS |
| | O x 1PC |
| | B x 2PCS |



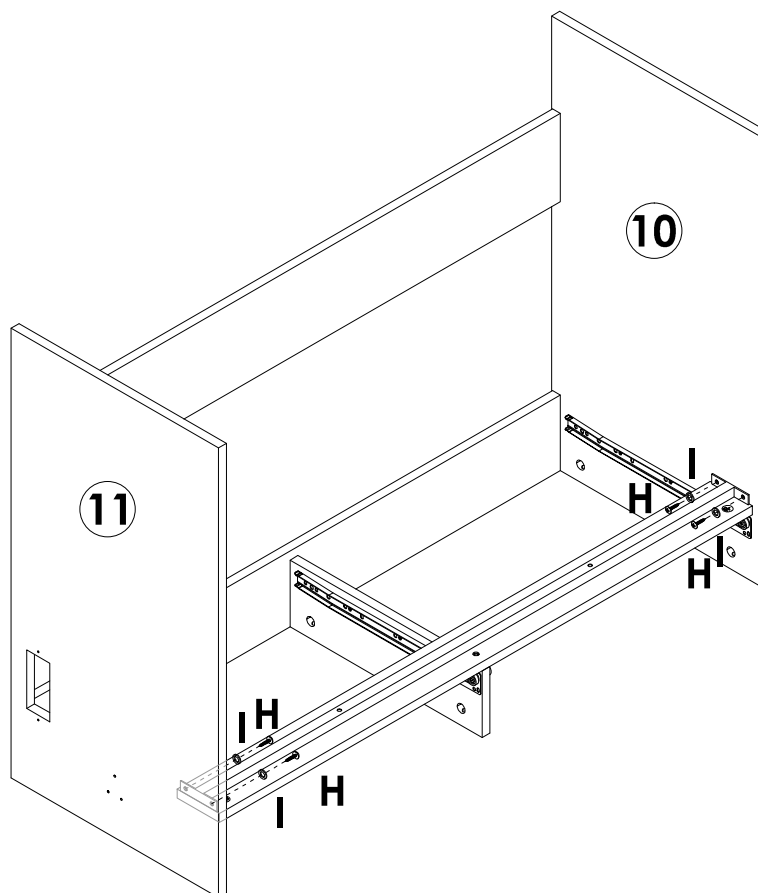
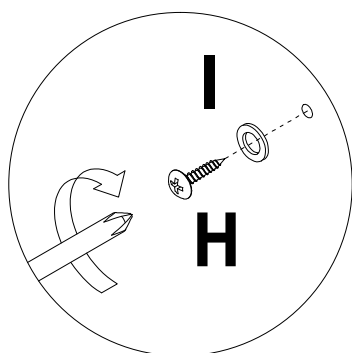
Assembly Steps(EN) / Montageschritte(DE)

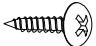

STEP 7



| | |
|---|----------|
|  | L x 2PCS |
|---|----------|

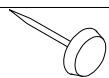
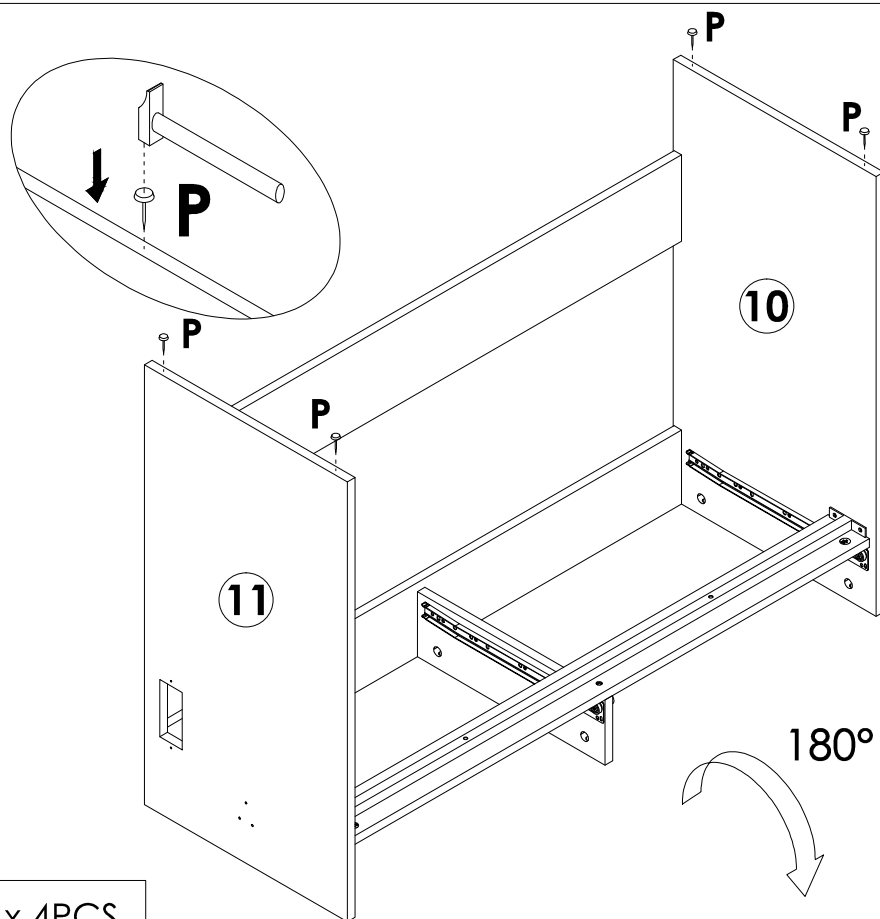
STEP 8



| | |
|---|----------|
|  | H x 4PCS |
|  | I x 4PCS |

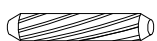
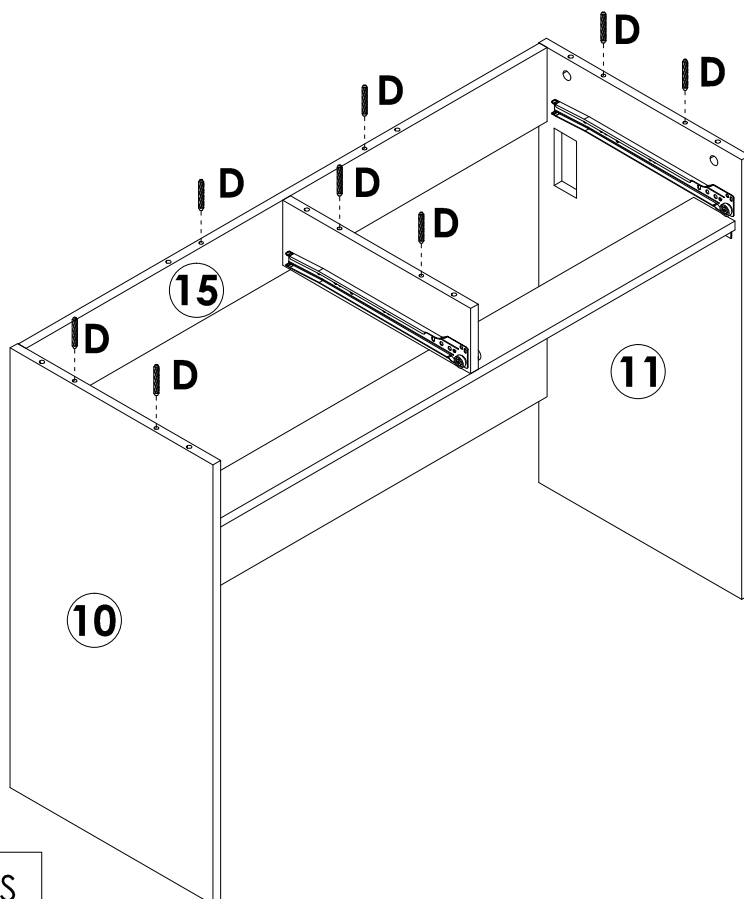
Assembly Steps(EN) / Montageschritte(DE)

STEP 9



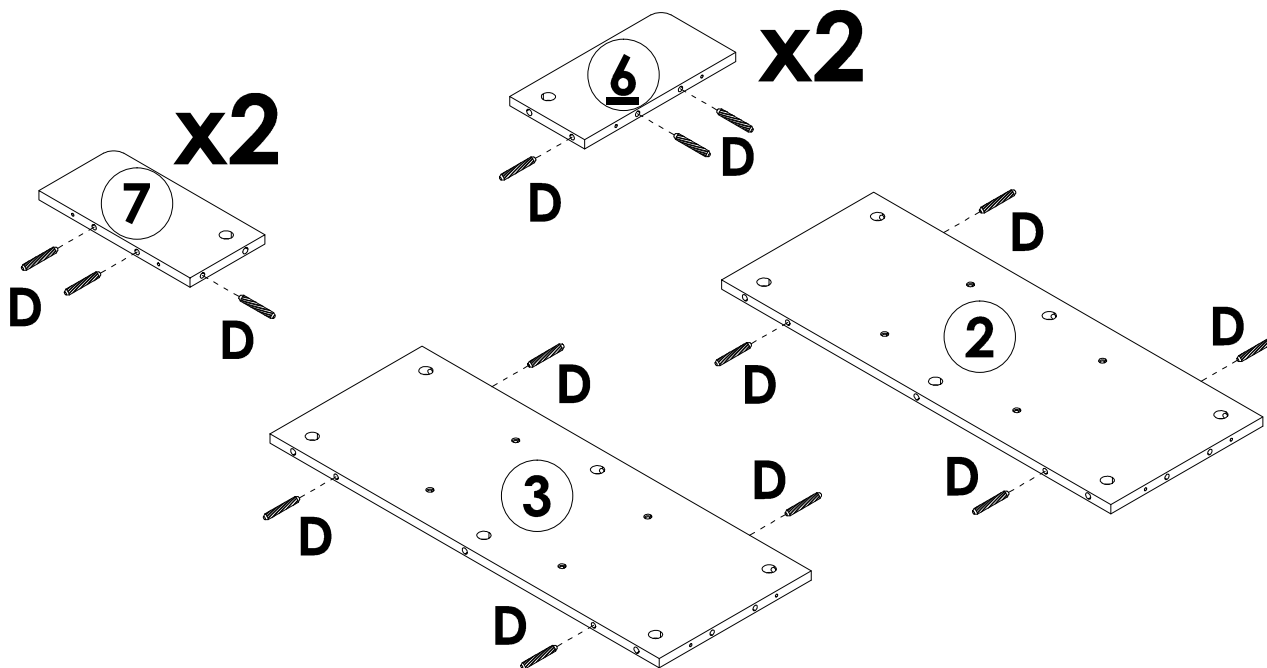
P x 4PCS

STEP 10



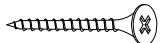
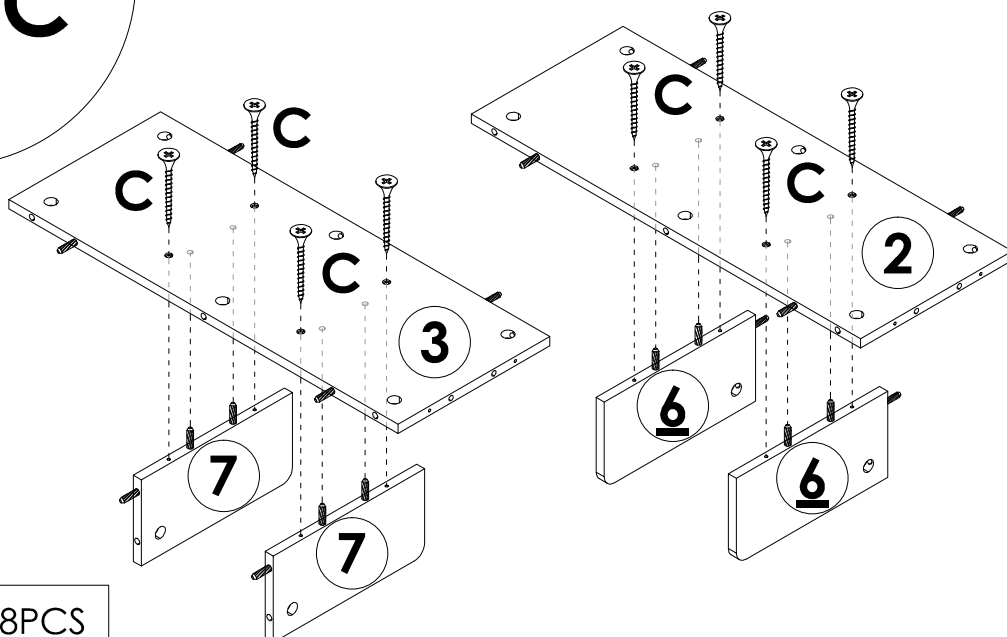
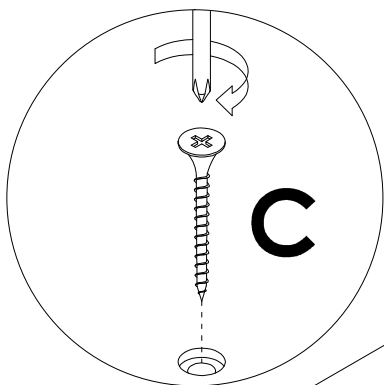
D x 8PCS

STEP 11



D x 20PCS

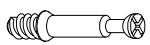
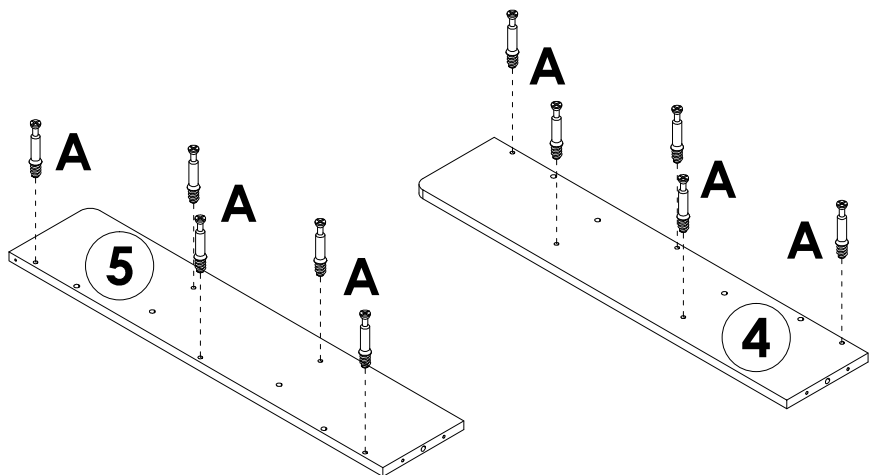
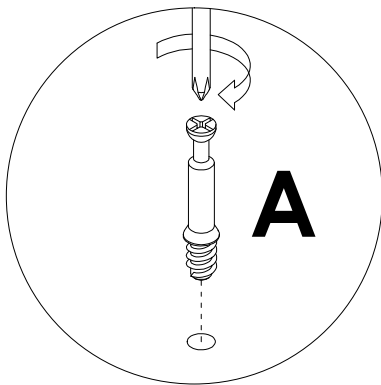
STEP 12



C x 8PCS

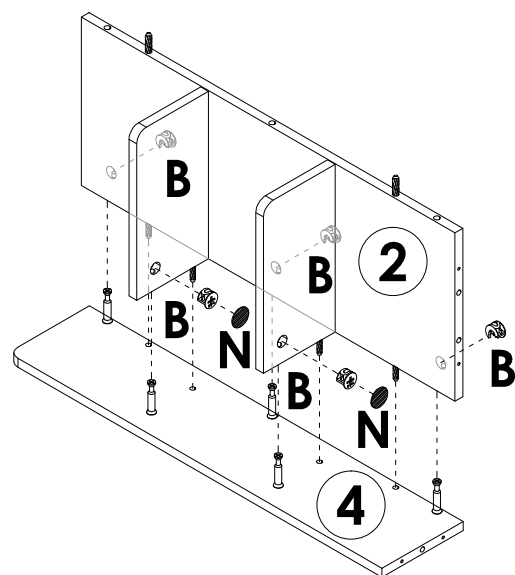
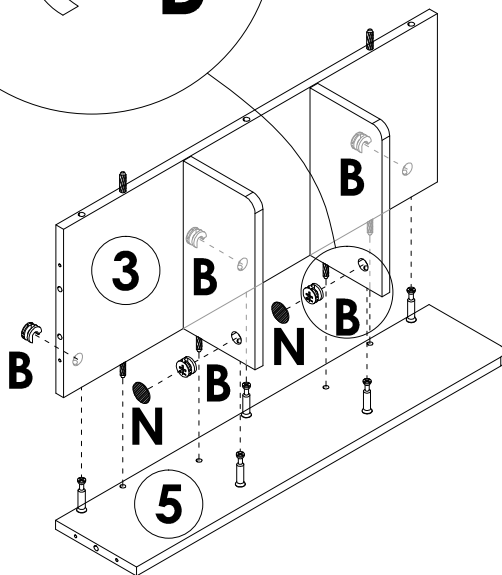
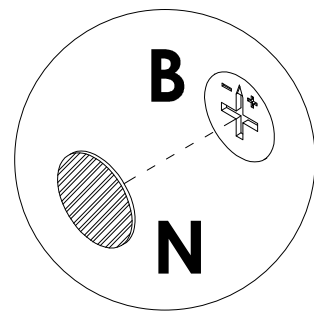
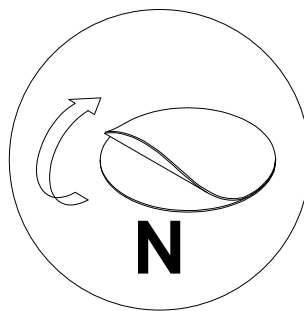
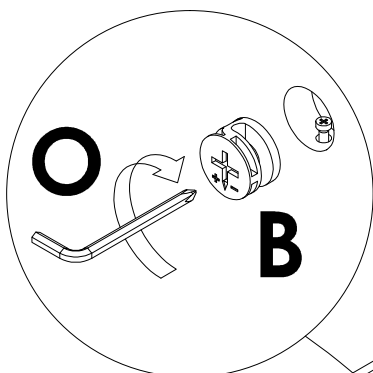
Assembly Steps(EN) / Montageschritte(DE)

STEP 13



A x 10PCS

STEP 14



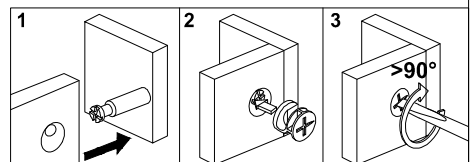
B x 10PCS



N x 4PCS

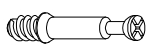
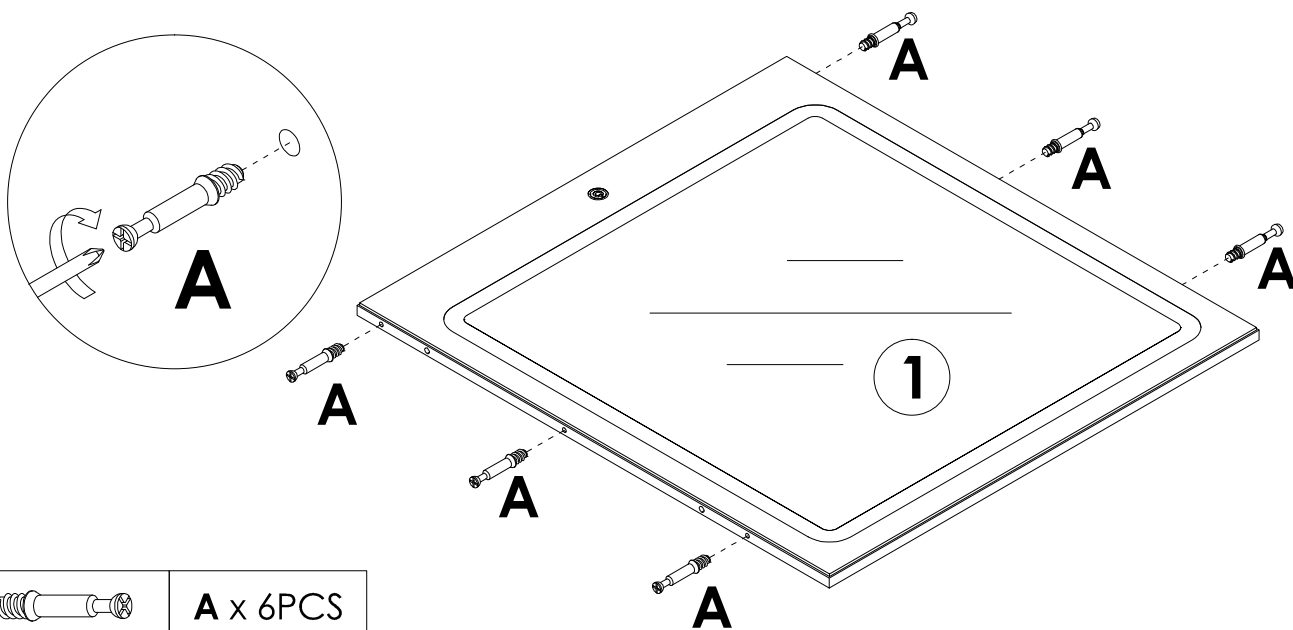


O x 1PC



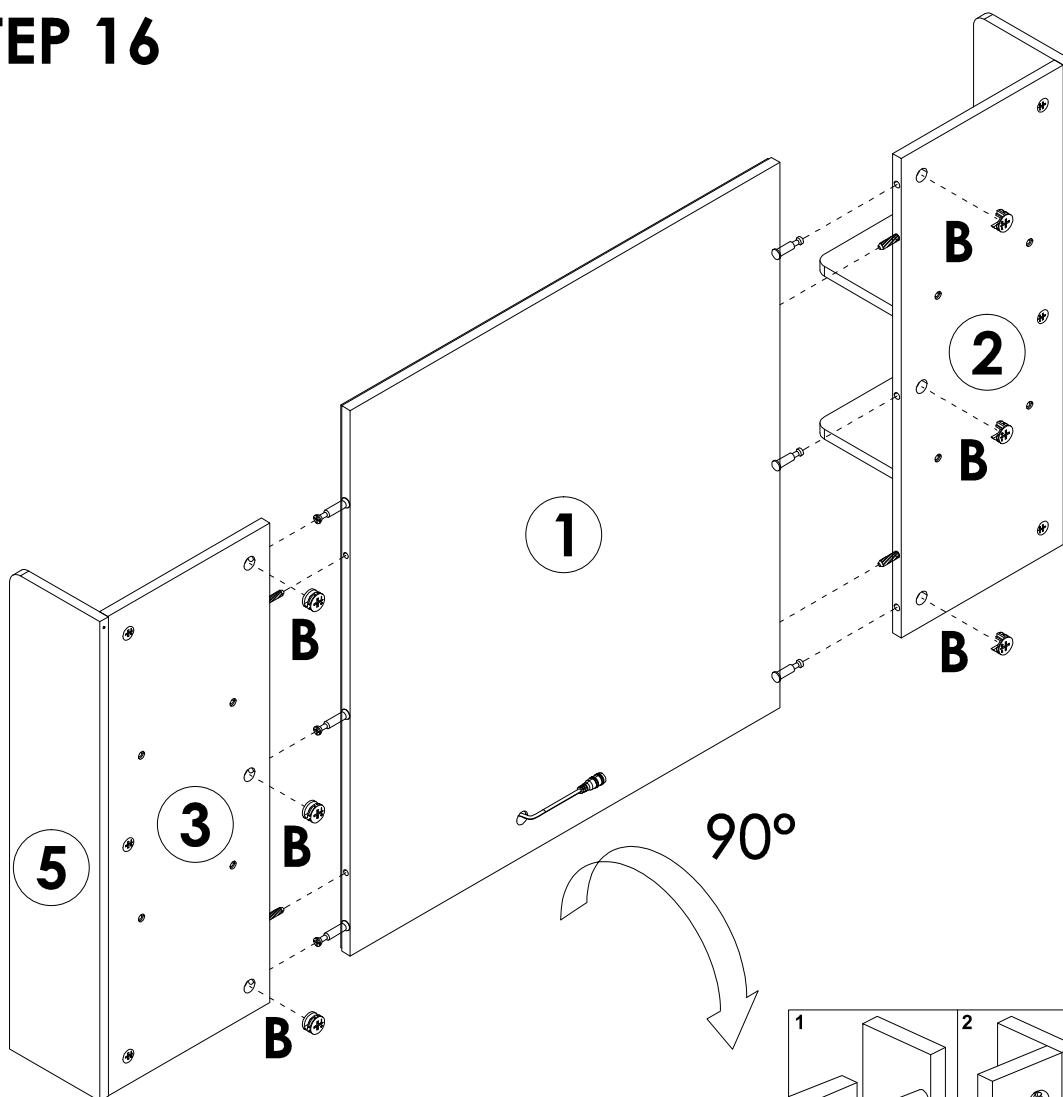
Assembly Steps(EN) / Montageschritte(DE)

STEP 15

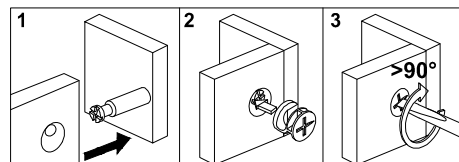


A x 6PCS

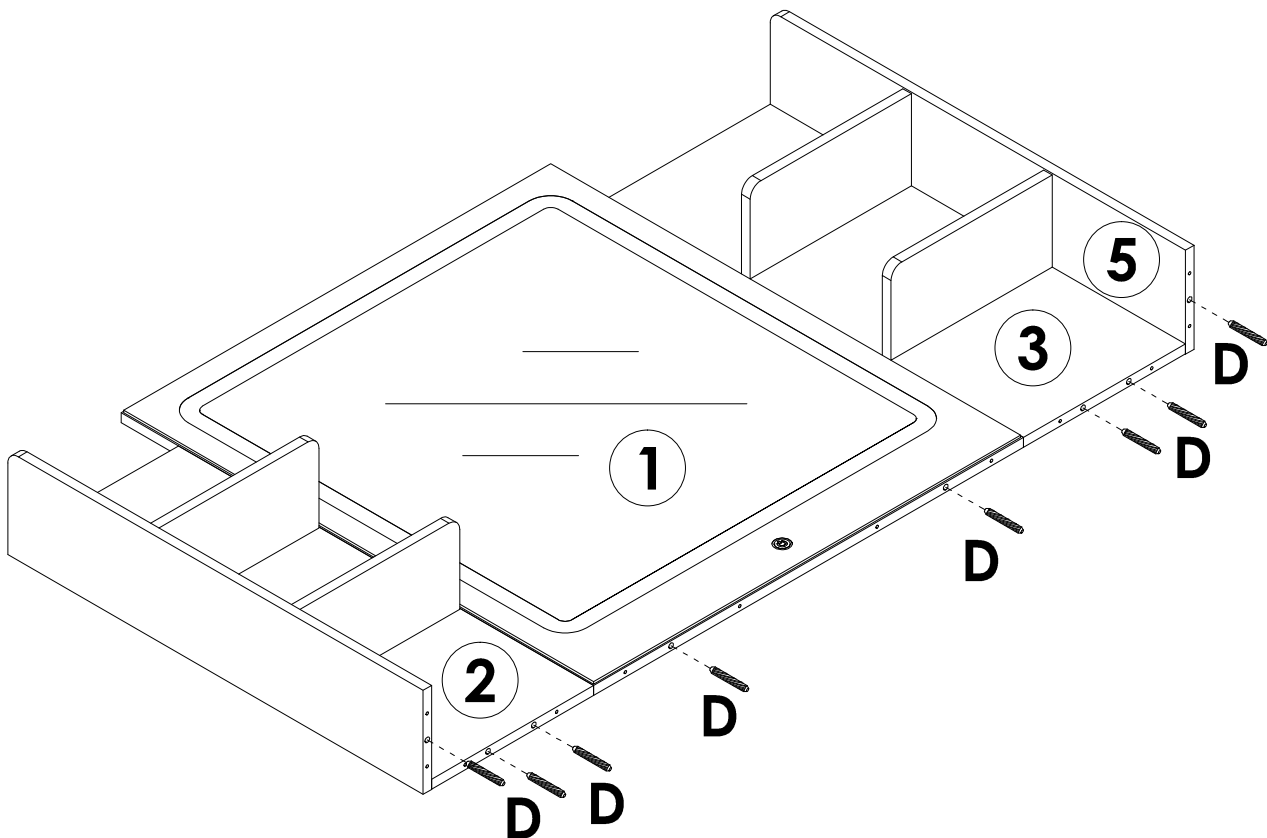
STEP 16



B x 6PCS

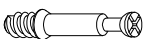
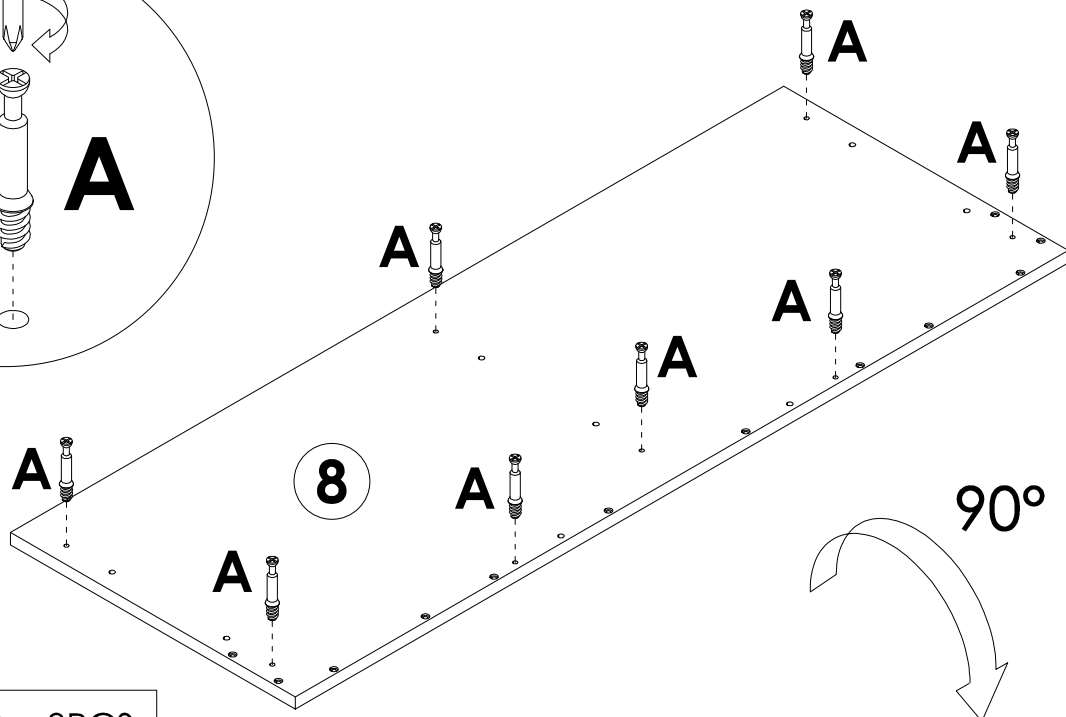
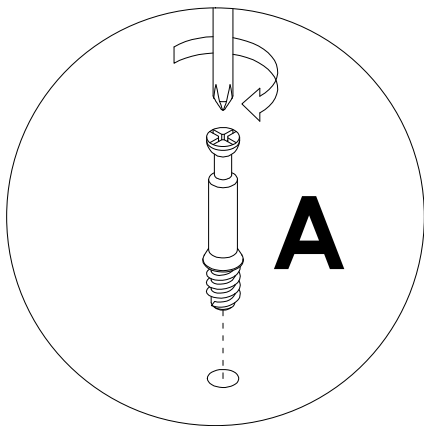


STEP 17



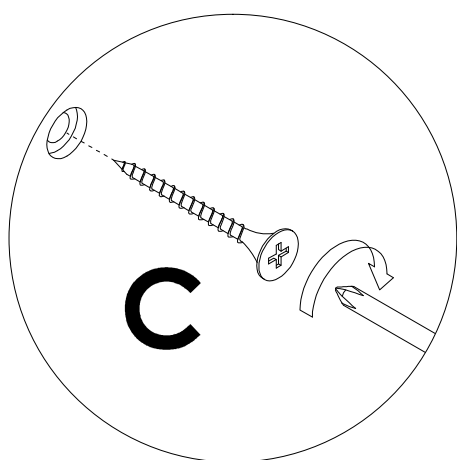
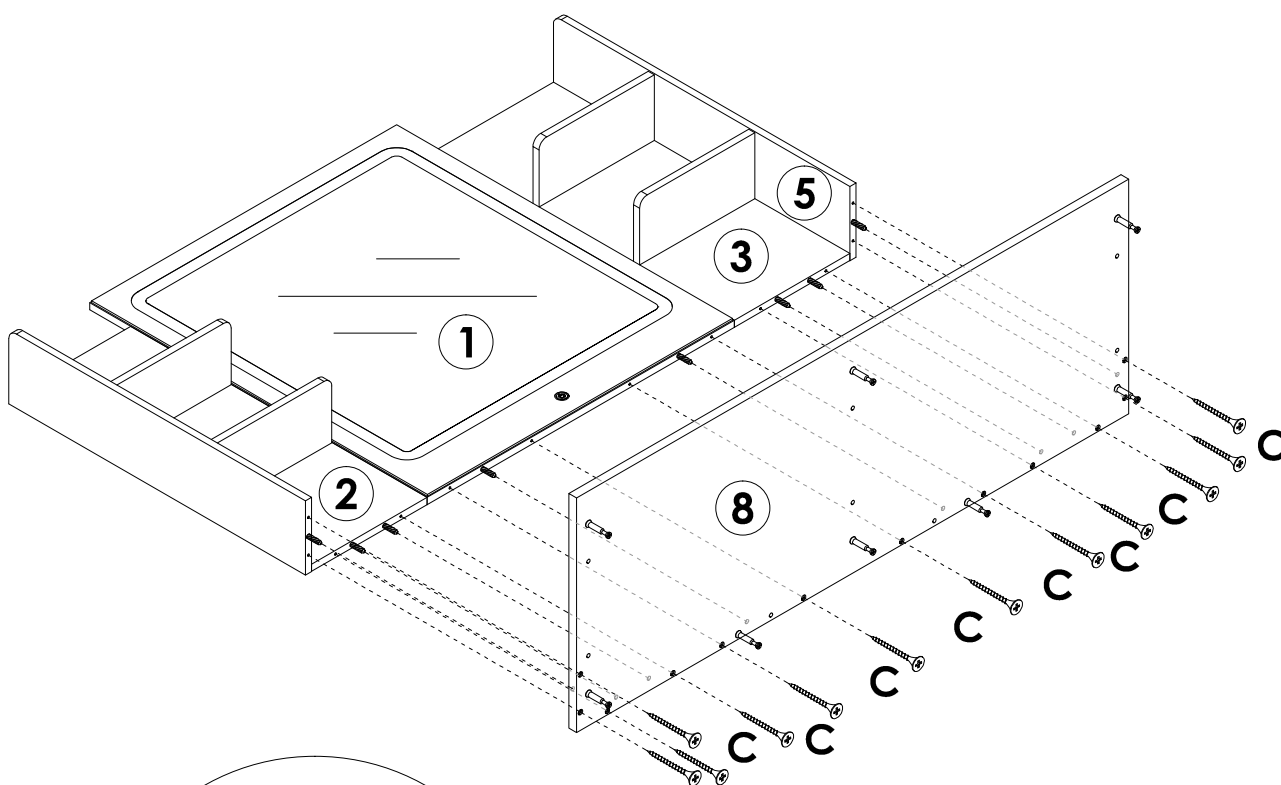
D x 8PCS

STEP 18

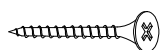


A x 8PCS

STEP 19

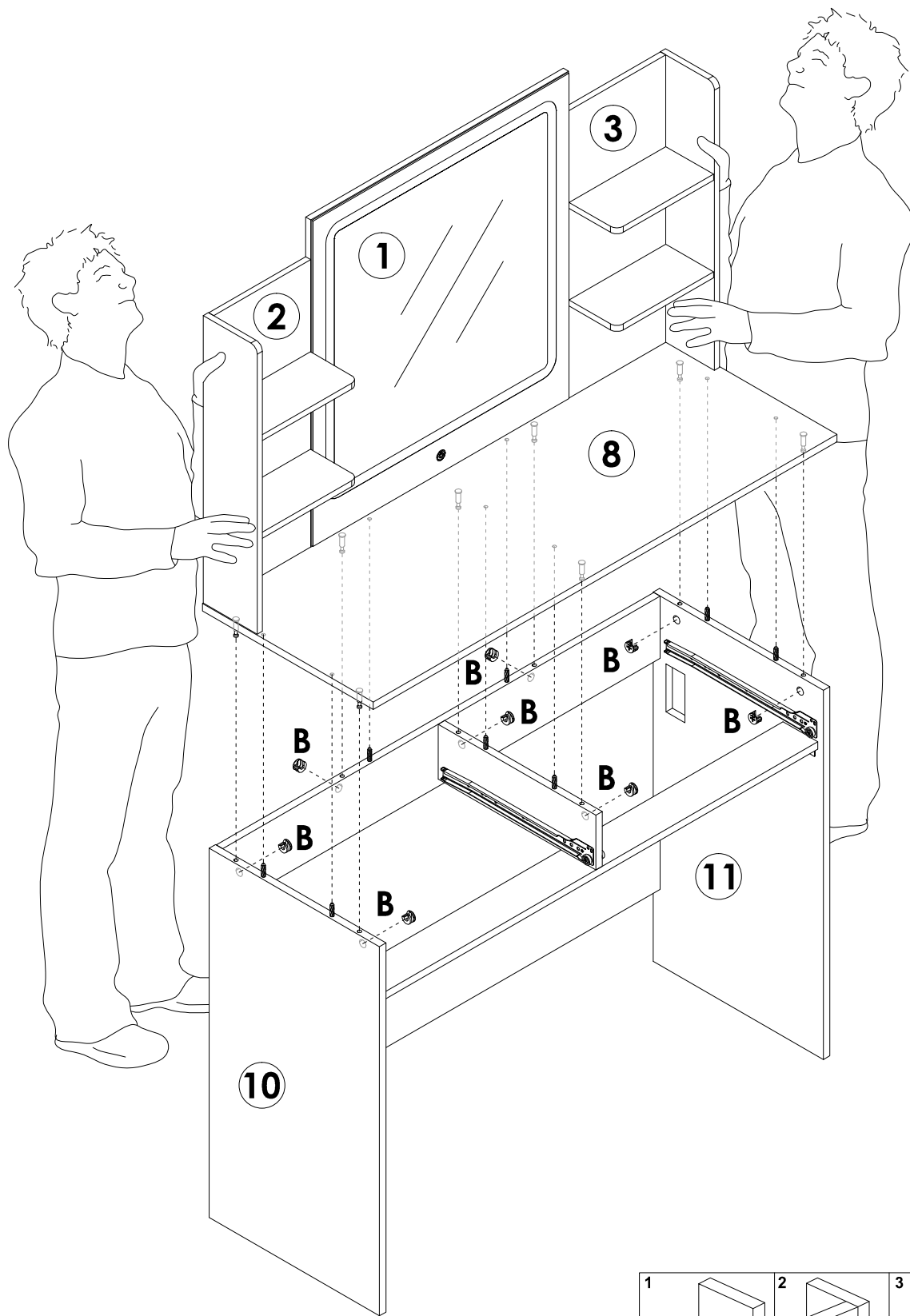


90°

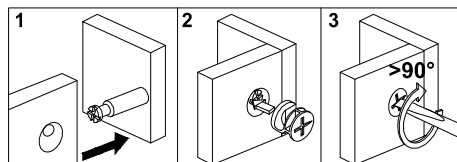


C x 12PCS

STEP 20

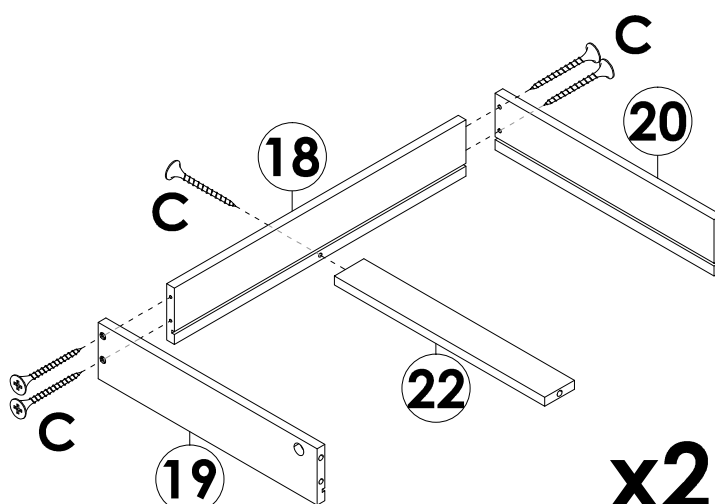
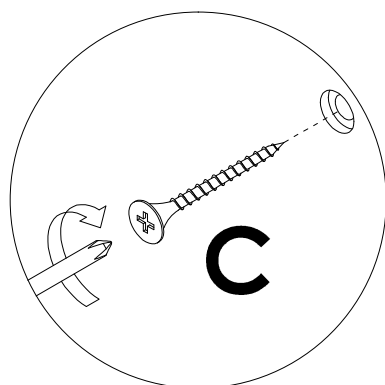


B x 8PCS



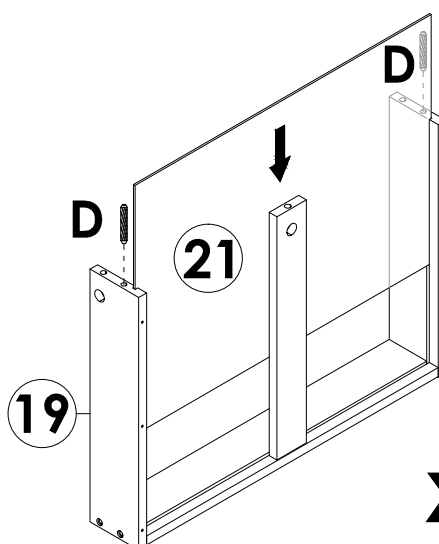
Assembly Steps(EN) / Montageschritte(DE)

STEP 21



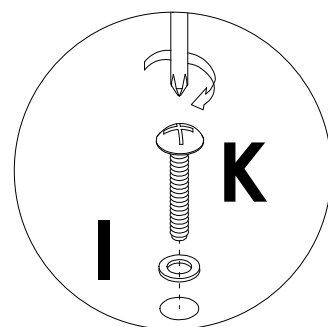
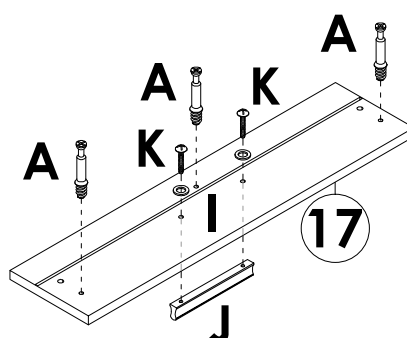
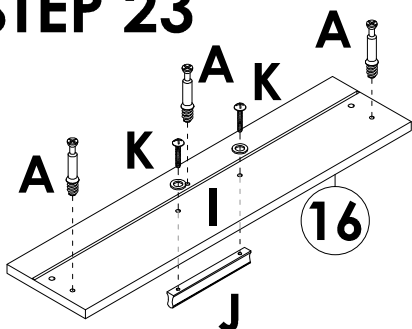
C x 10PCS

STEP 22



D x 4PCS

STEP 23



A x 6PCS



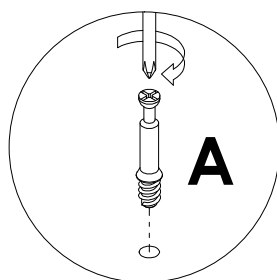
I x 4PCS



J x 2PCS

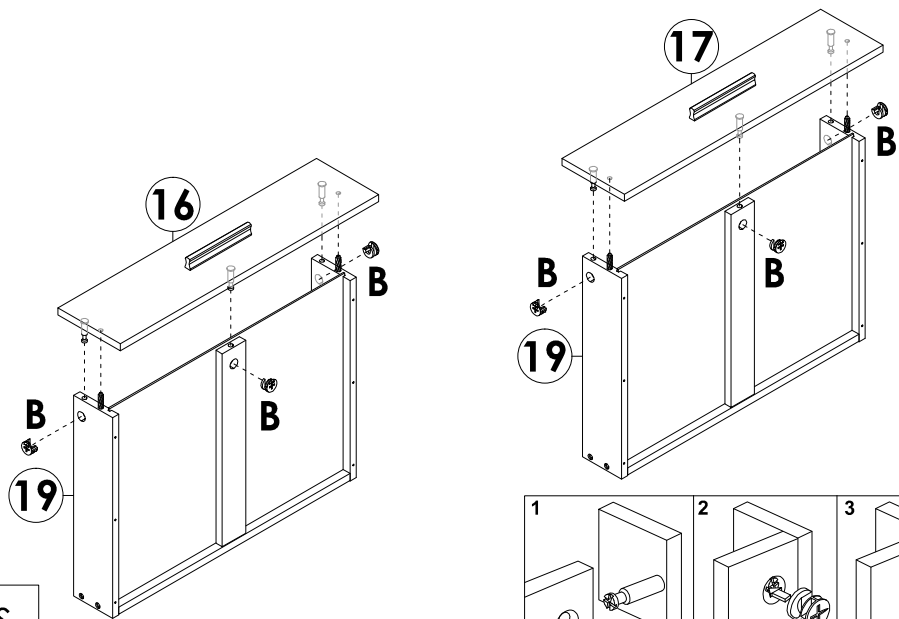


K x 4PCS



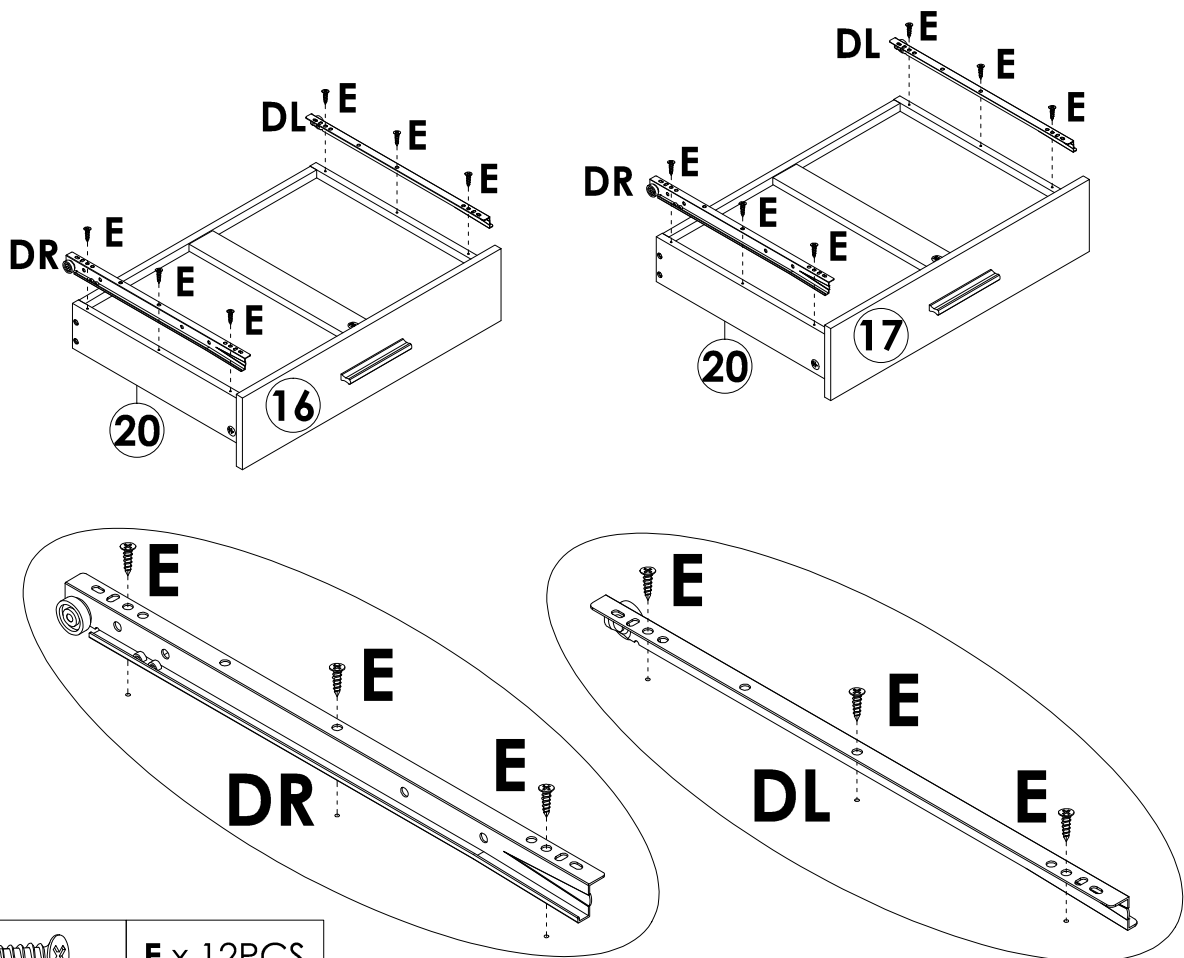
180°

STEP 24



B x 6PCS

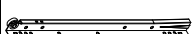
STEP 25



E x 12PCS

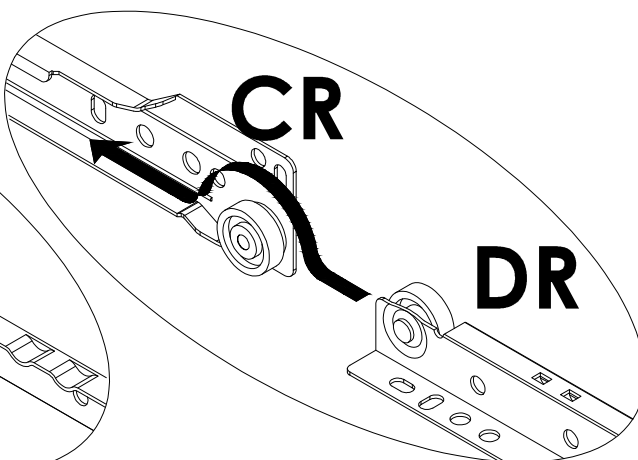
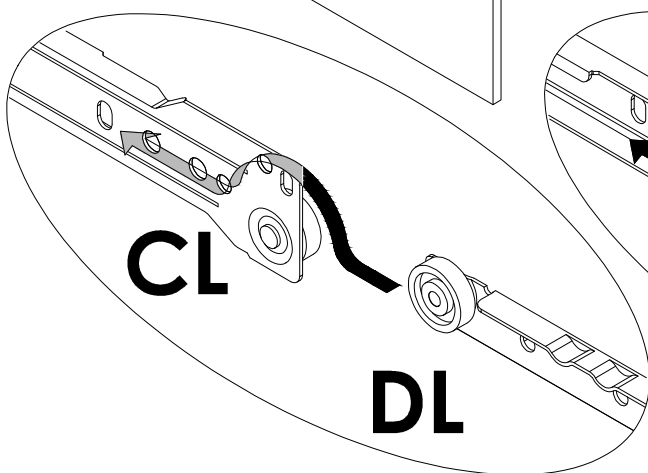
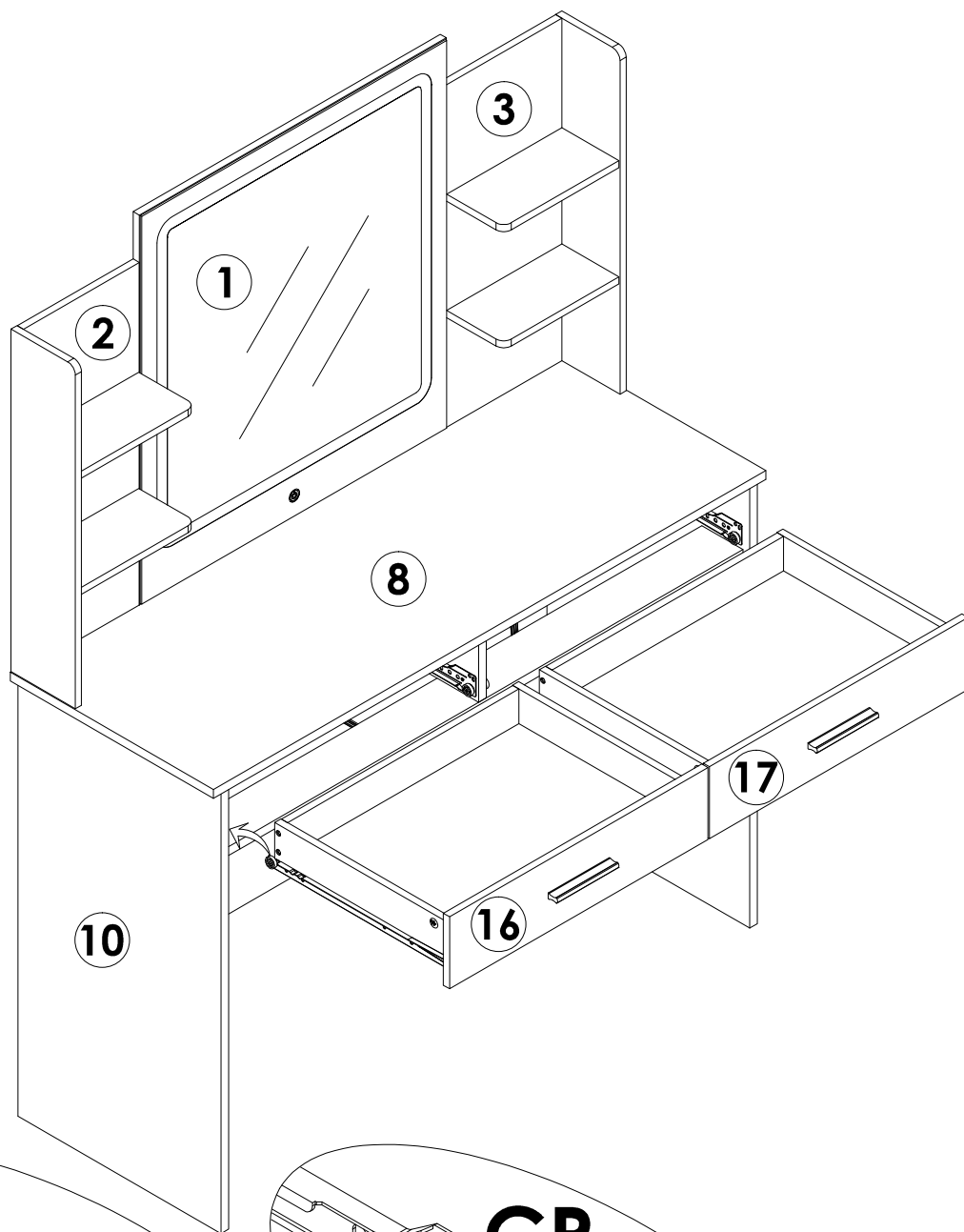


DL x 2PCS

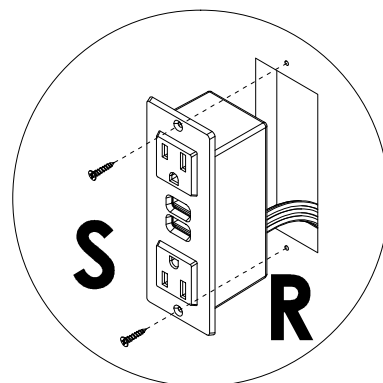
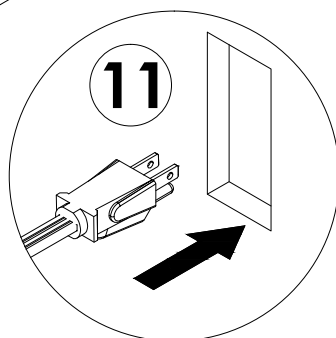
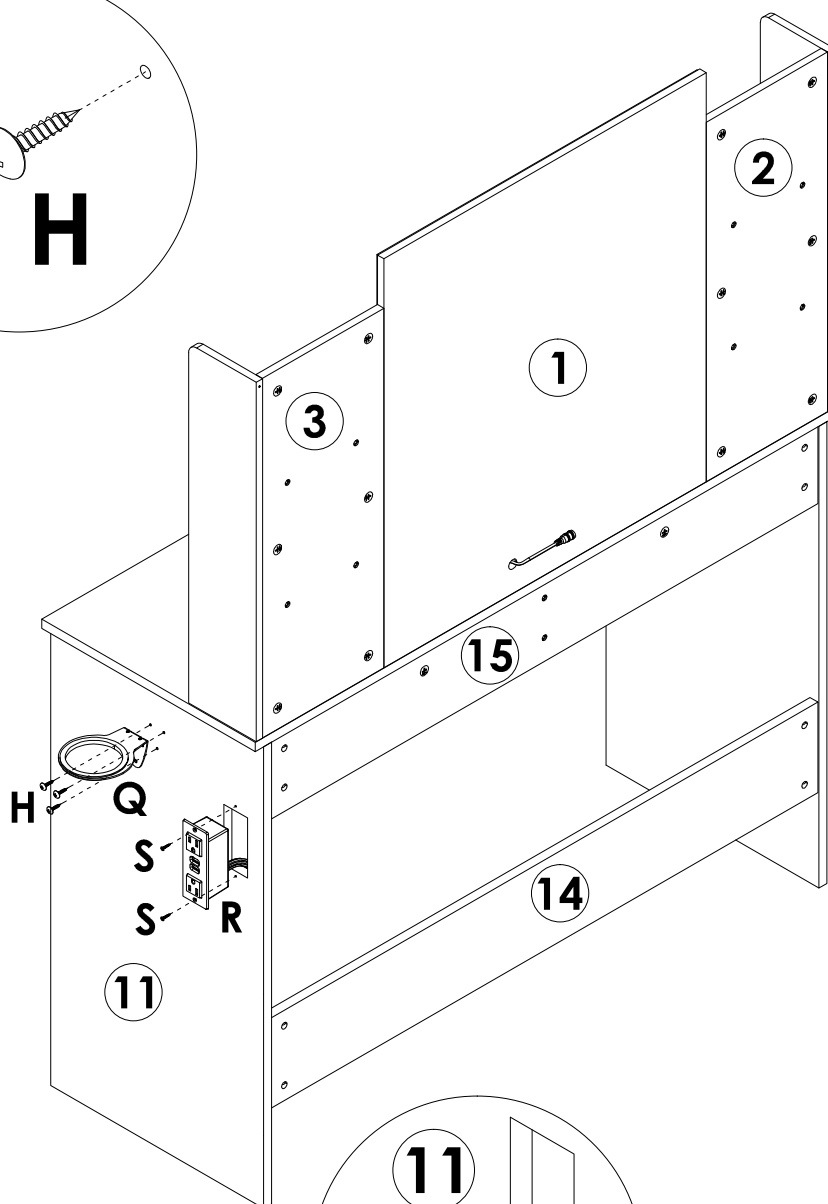
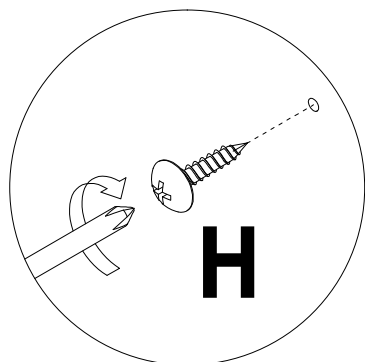


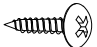



DR x 2PCS

STEP 26

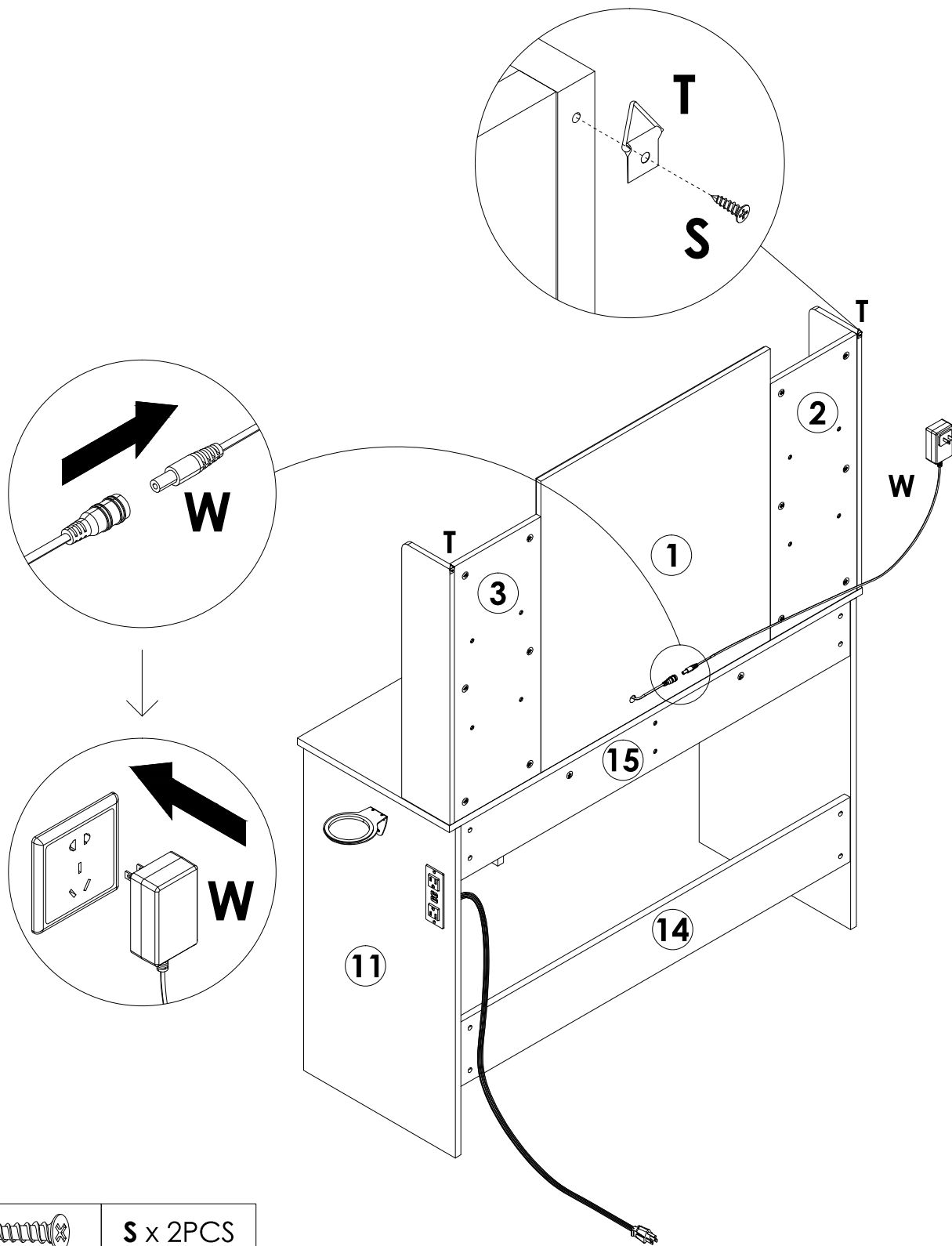





STEP 27



| | |
|---|-----------------|
|  | H x 3PCS |
|  | Q x 1PC |
|  | R x 1PC |
|  | S x 2PCS |

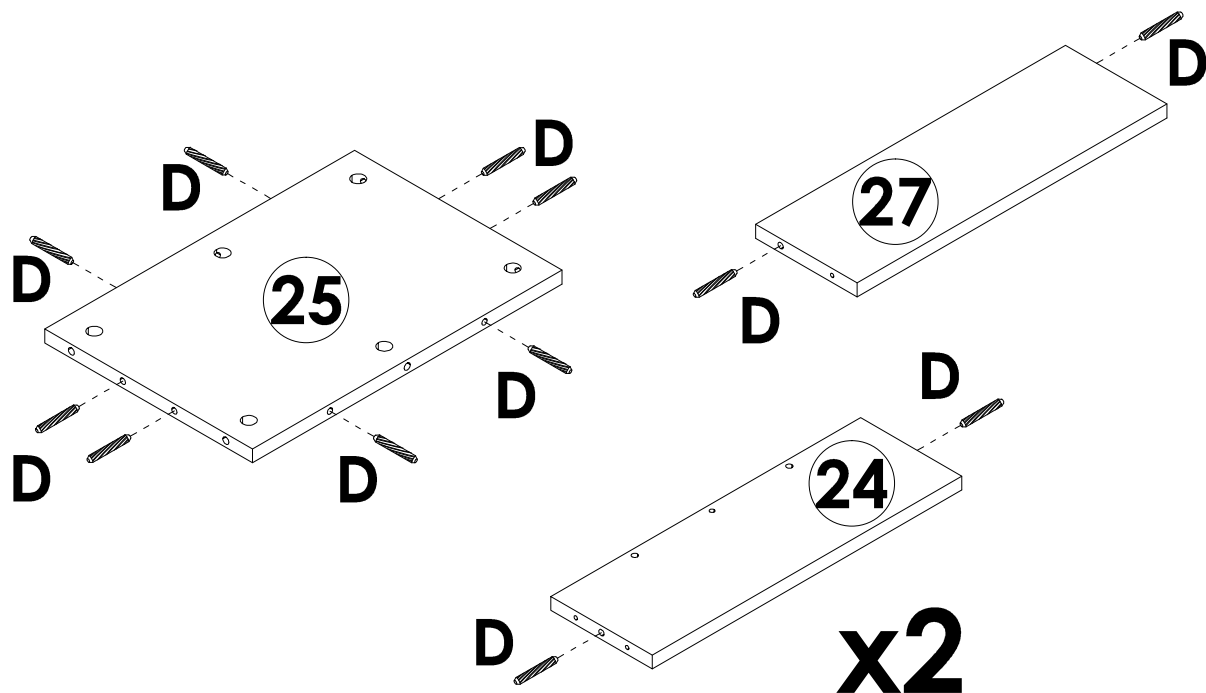
STEP 28



| | |
|---|-----------------|
|  | S x 2PCS |
|  | T x 2PCS |
|  | W x 1PC |

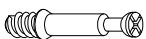
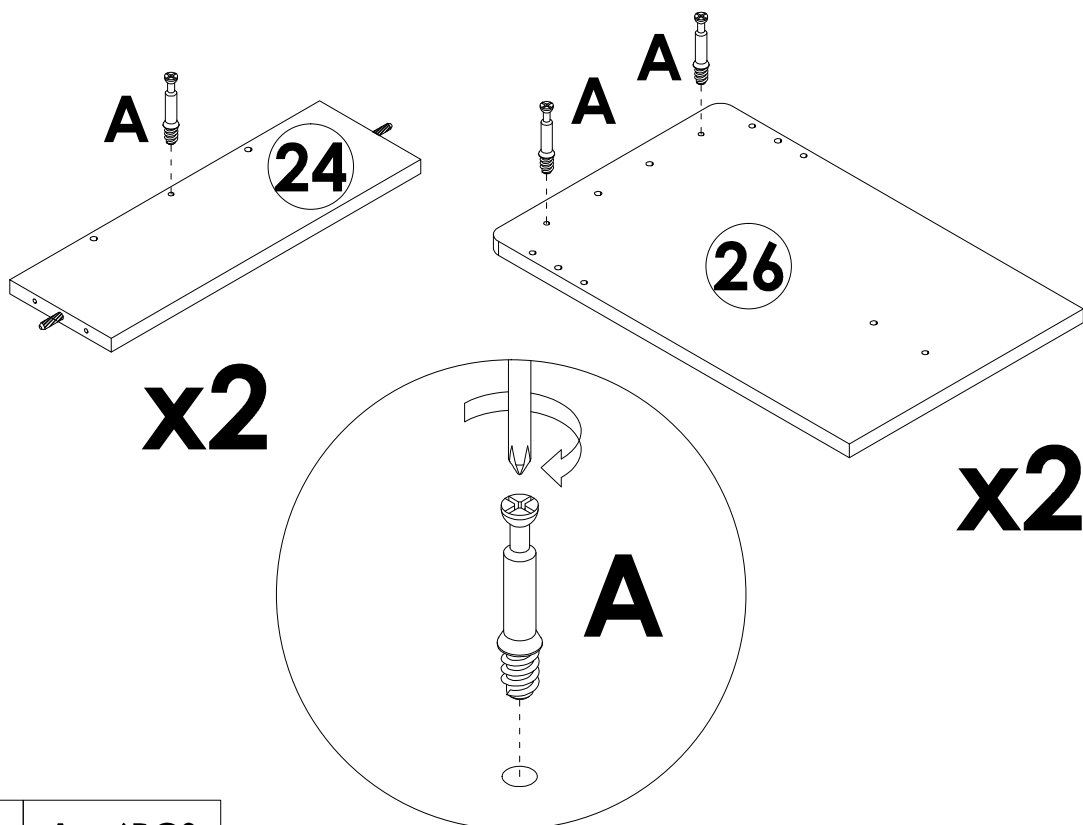
Assembly Steps(EN) / Montageschritte(DE)

STEP 29



D x 14PCS

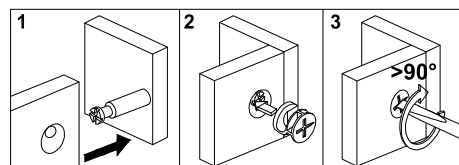
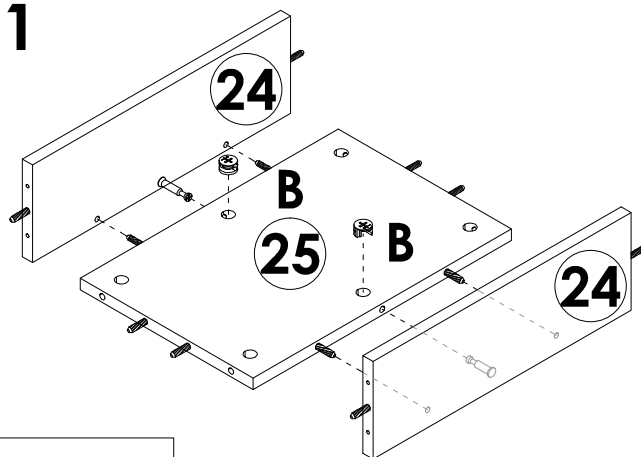
STEP 30



A x 6PCS

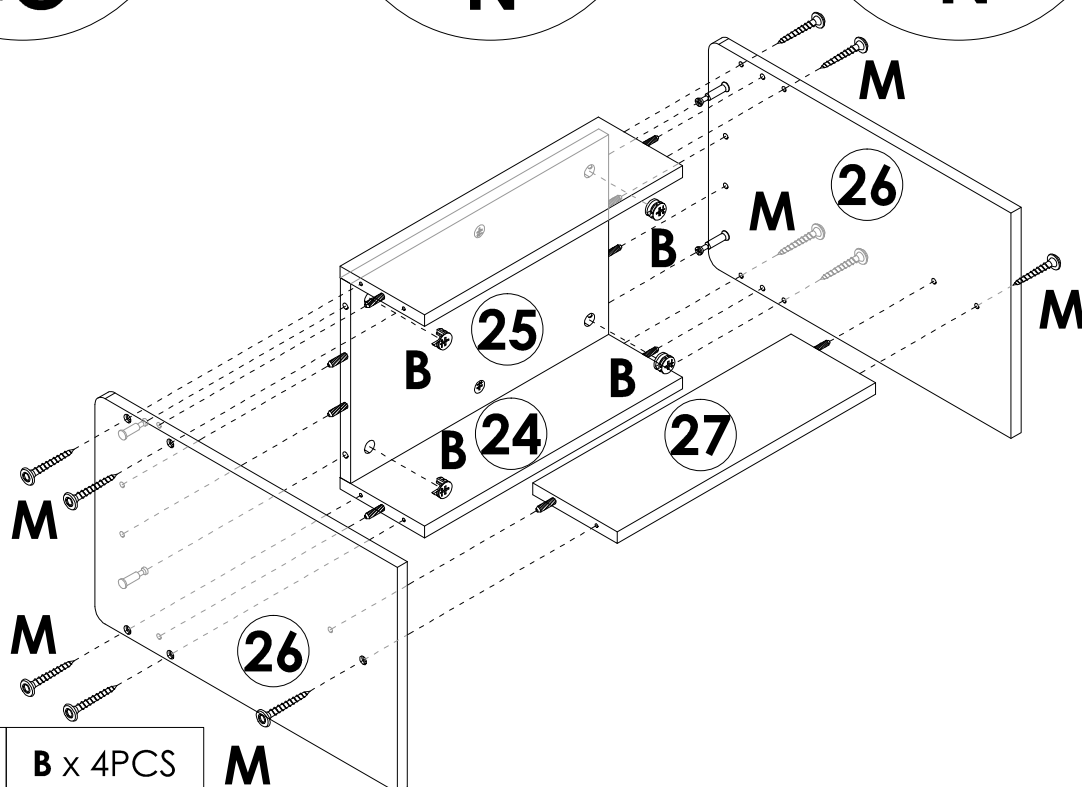
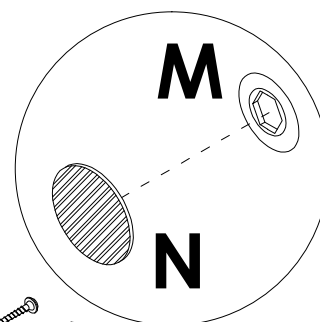
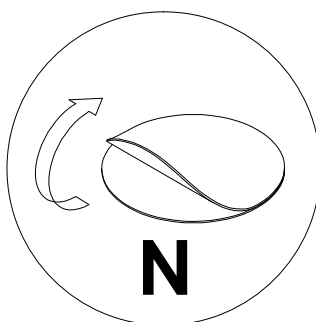
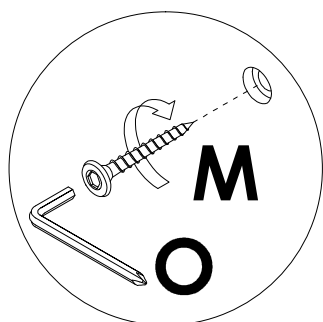
Assembly Steps(EN) / Montageschritte(DE)

STEP 31



B x 2PCS

STEP 32



B x 4PCS

M



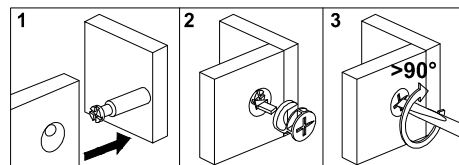
M x 10PCS



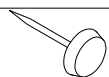
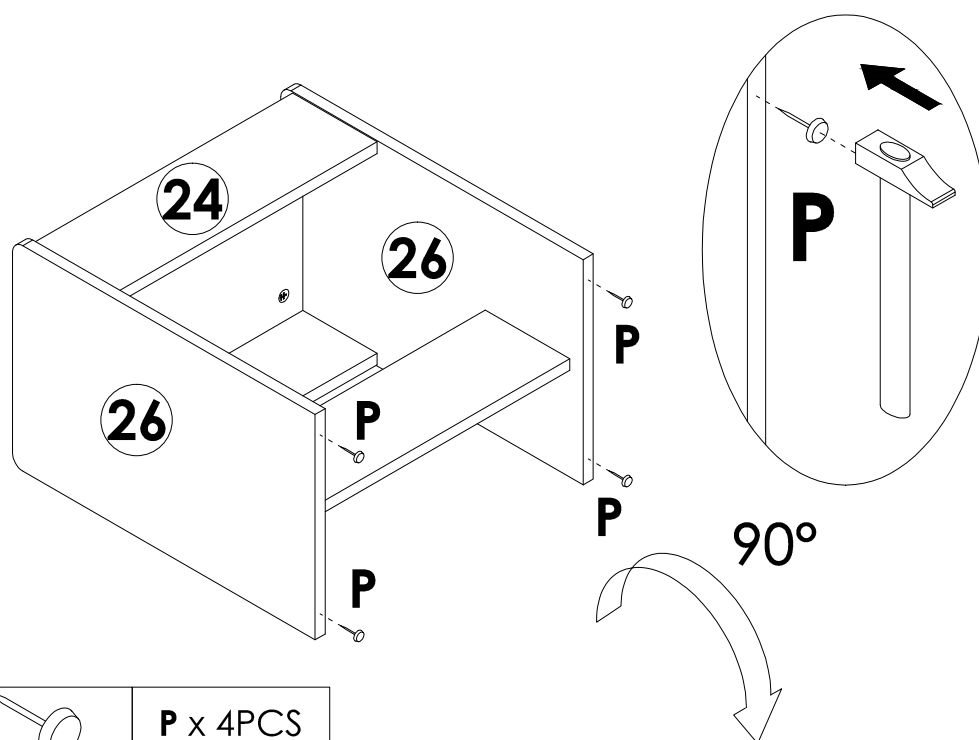
N x 10PCS



O x 1PC

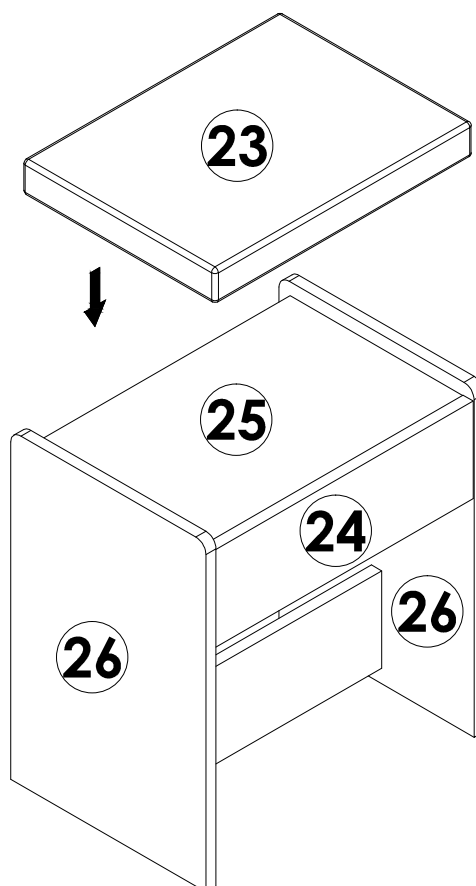


STEP 33



P x 4PCS

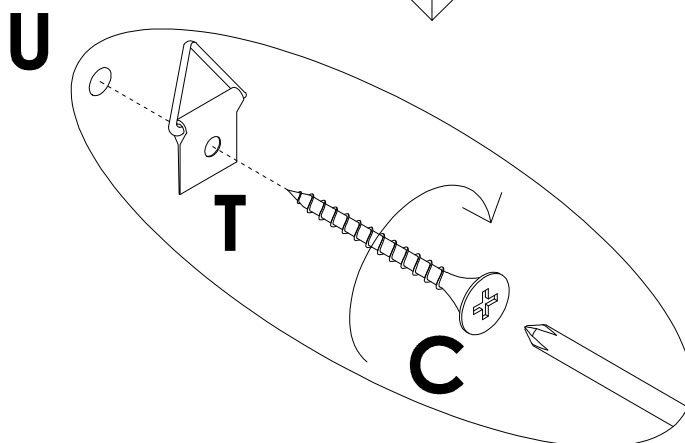
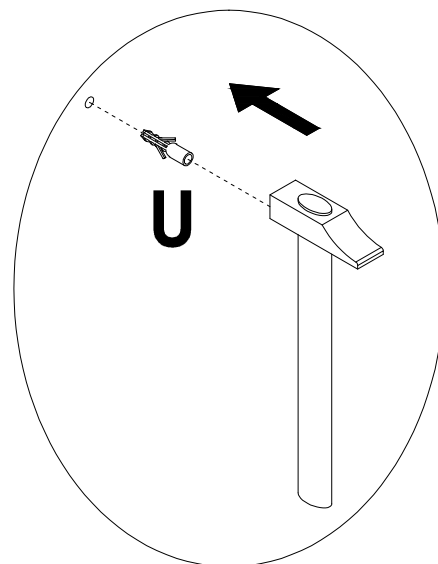
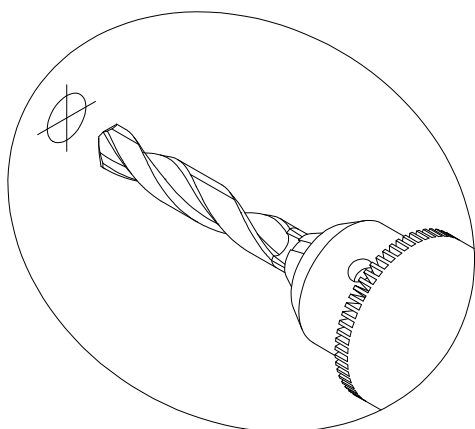
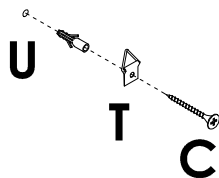
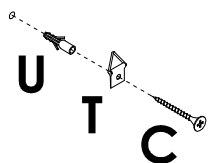
STEP 34

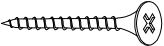




Assembly Steps(EN) / Montageschritte(DE)

STEP 35

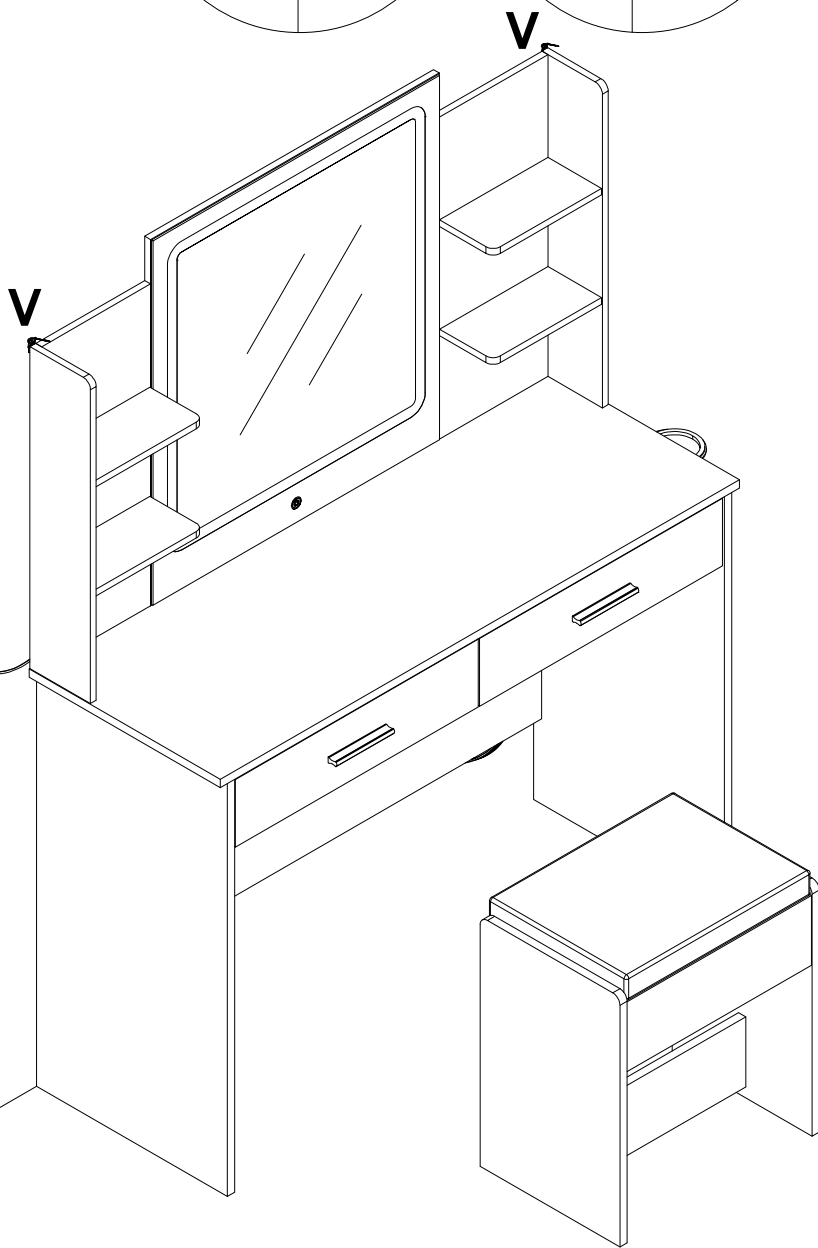
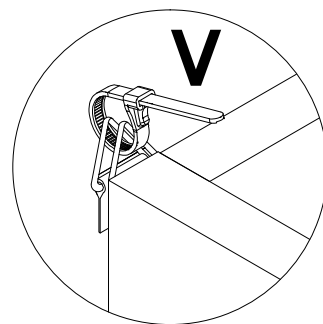
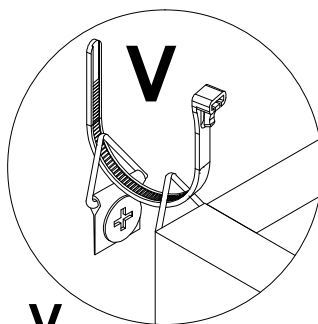
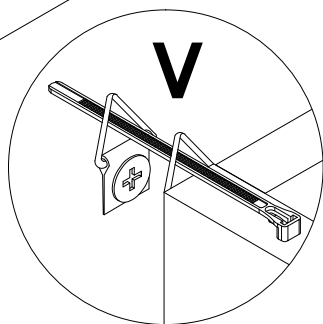
WALL



| | |
|---|-----------------|
|  | C x 2PCS |
|  | T x 2PCS |
|  | U x 2PCS |

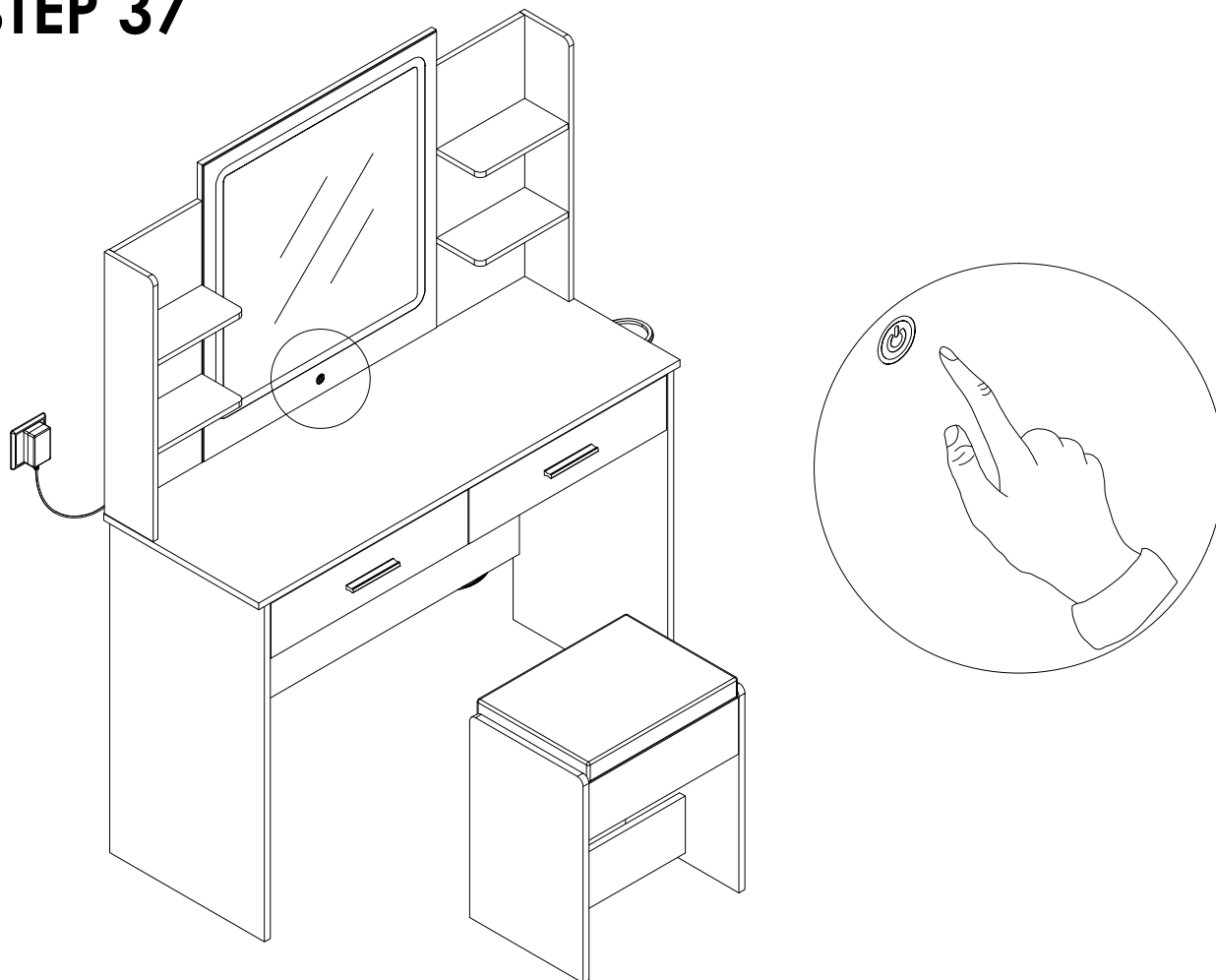
STEP 36

WALL



V x 2PCS

STEP 37



When the power is turned on, the switch key lights up in blue.

- Touch the switch for the first time, the mirror light is Warm Yellow, and the switch key is white.
- Touch the switch for the second time, the mirror light is Cold White.
- Touch the switch for the third time, the mirror light is Warm White.
- Touch the switch for the fourth time, the mirror light turns off, and the switch changes from white to blue.

Note: When the mirror light is turned on, you can long press the switch button to adjust the brightness of the mirror light, and the color of the light will not be changed.

WARNING



Children have died from furniture tipover. To reduce the risk of furniture tipover:

- **ALWAYS** install Anti-tip device provided.
- **NEVER** put a TV on this product.
- **NEVER** allow children to stand, climb or hang on any drawers, doors, or shelves.
- **NEVER** open more than one drawer at a time.
- Place heaviest items in the lowest drawers.

***This is a permanent label.
Do not remove!***