

CARE AND MAINTENANCE

Store outdoor furniture indoors or cover well when not in use.

Remove wooden furniture from standing water. Dust regularly with small brush or vacuum

Spills should be taken care of immediately before they harden or stain with a slightly dampened sponge.

NOTICE

- * Please make sure that you have all parts indicated before you begin assembly of this item
- * This item should be assembled on a soft surface to prevent scratching the finish during assembly
- * This item may require periodic tightening








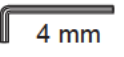
Weight Capacity : 300 lbs

Warning : Do not stand on chair

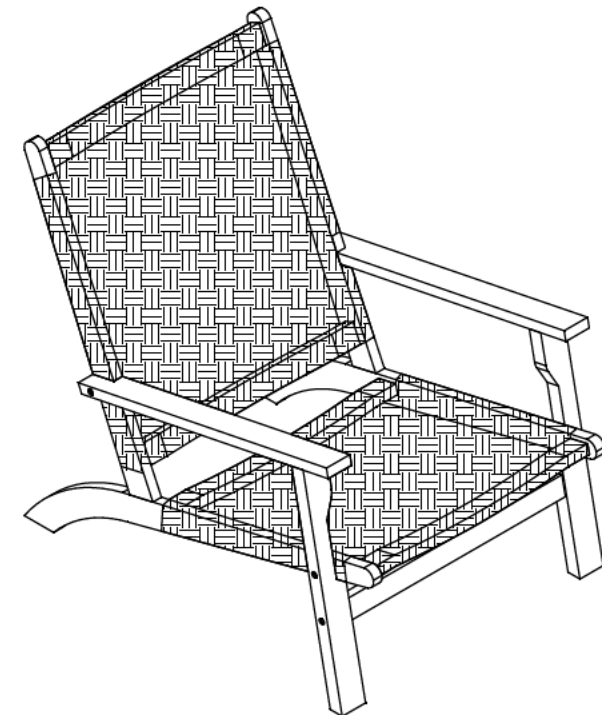
Warning : Do not over torque bolts / screws



Part List and Hardware List

PIECE	DESCRIPTION	PICTURE	QUANTITY
A	Back frame		1X
B	Seat frame		1X
C	Right leg frame		1X
D	Left leg frame		1X
E	Cross bar		1X
F	Screw	 M6X 90	4X
G	Bolt	 M6X55	4X
H	Allen key	 4 mm	2X

Product Dimensions: 26,4" W x 35,4" D x 33,1" H



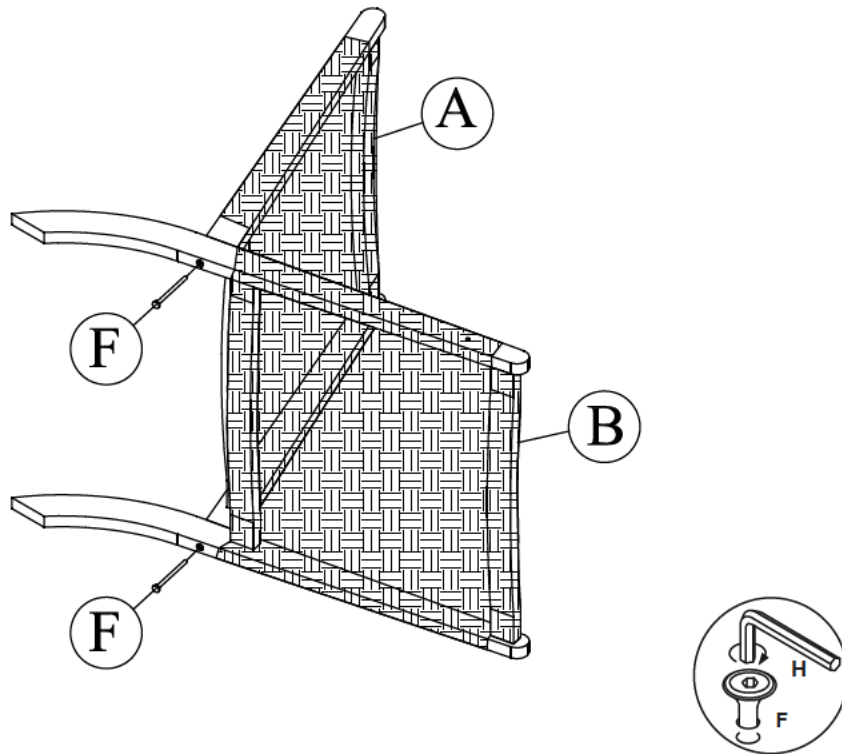
PREPARATION

Before beginning assembly of product, make sure all parts are present. Compare parts with package contents list and hardware contents list. If any part is missing or damaged, do not attempt to assemble the product.

Estimated Assembly Time: 30 minutes.

Tools Required for Assembly (included): Allen Key

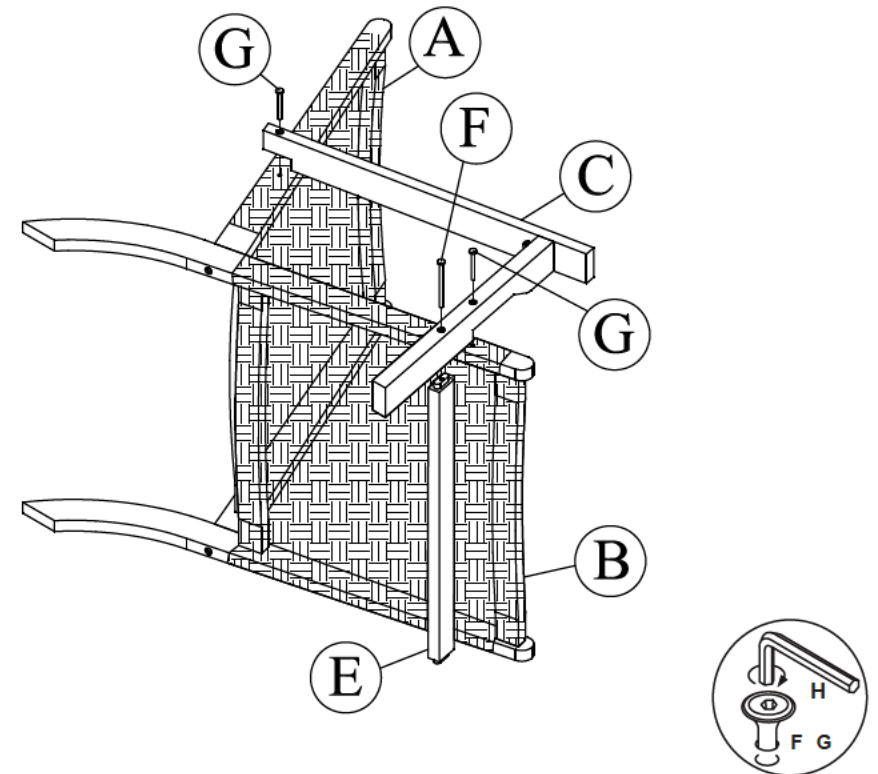
1



Step 1

Attached Back frame (A) to Seat frame (B).
Using Screw (F) tighten with Allen key (H)

2



Step 2

Attached Right leg frame (C) to the Cross bar (E), the Back frame (A) and Seat frame. Using Screw (F) and Bolt (G) tighten with Allen key (H)

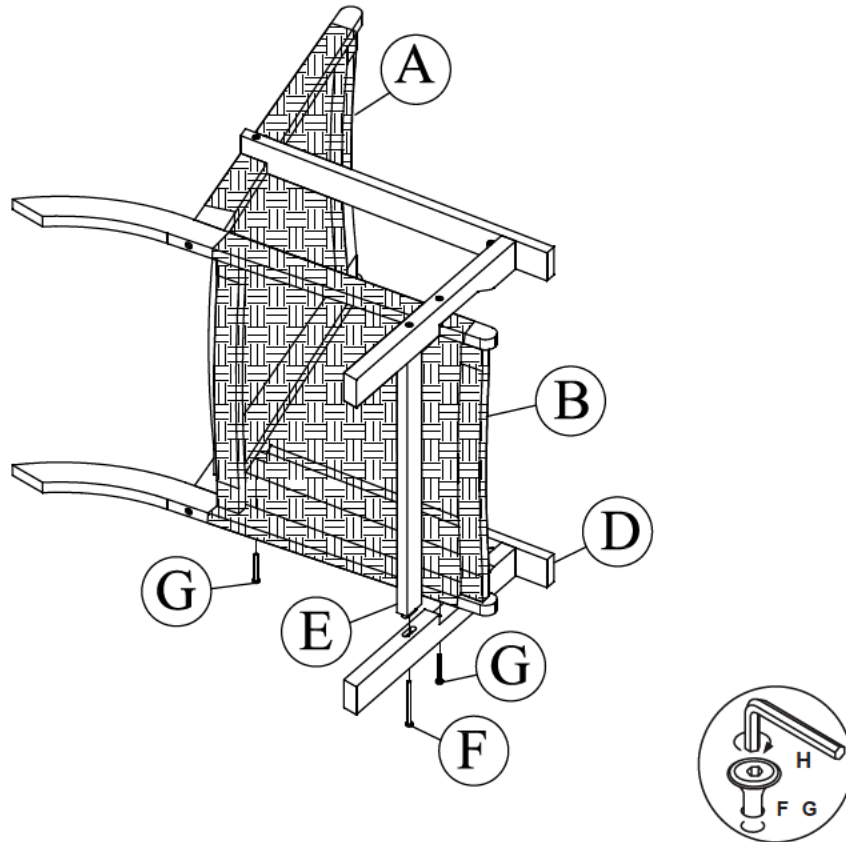
PREPARATION

Before beginning assembly of product, make sure all parts are present. Compare parts with package contents list and hardware contents list. If any part is missing or damaged, do not attempt to assemble the product.

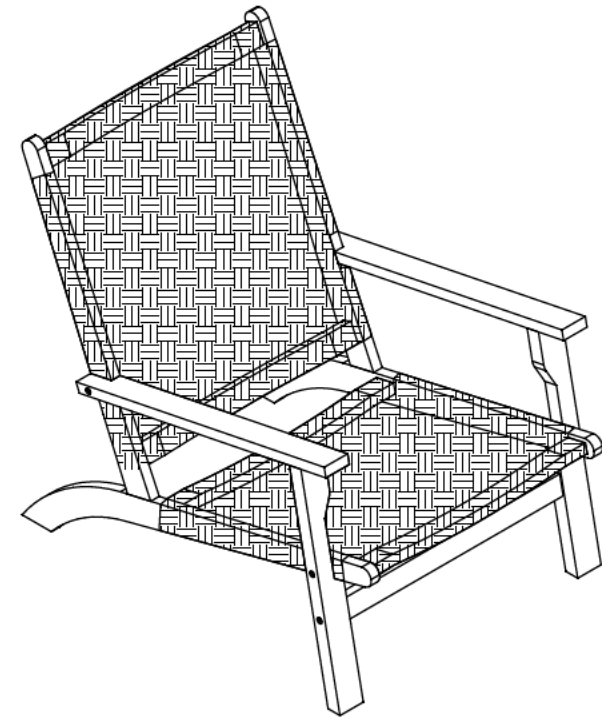
Estimated Assembly Time: 30 minutes.

Tools Required for Assembly (included): Allen Key

3



4



Step 3

Attached Right leg frame (D) to the Cross bar (E), the Back frame (A) and Seat frame (B). Using Screw (F) and Bolt (G) tighten with Allen key (H)

Step 5

Caution: This Chair can only be used on a flat, level surface