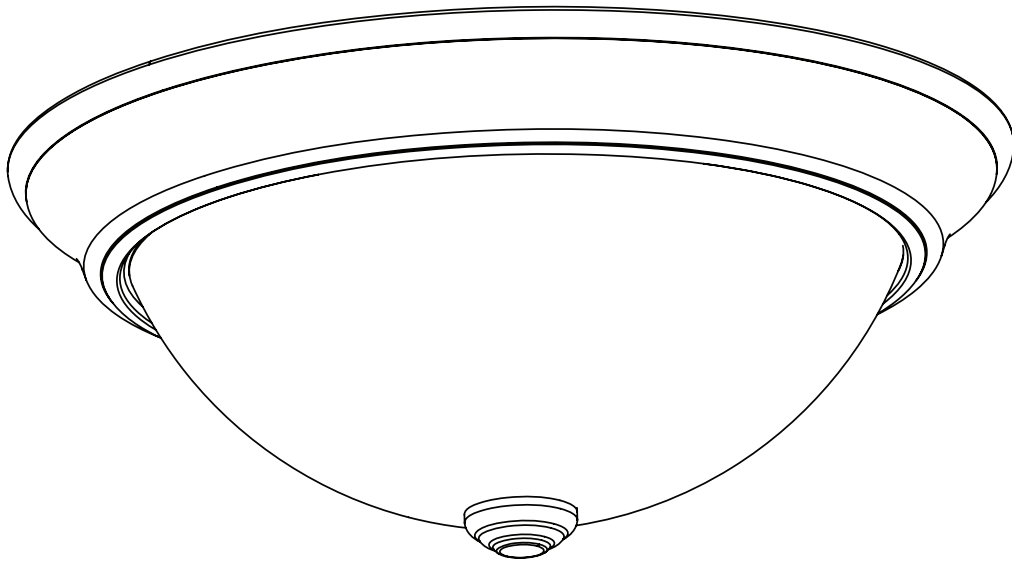
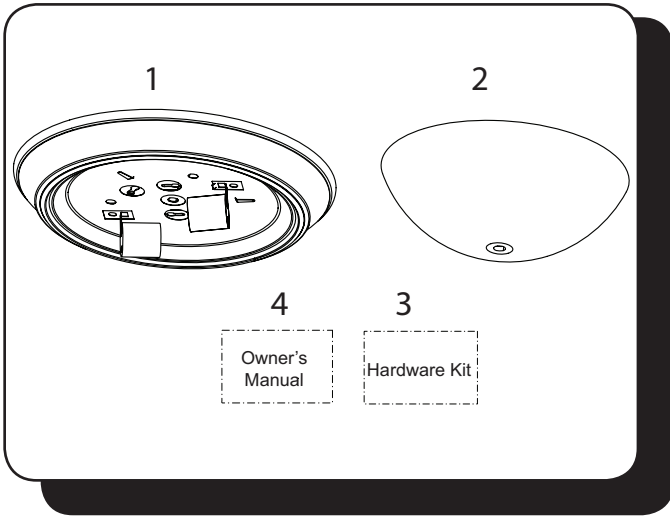


# **FLUSHMOUNT CEILING FIXTURE**

## **Owner's Manual**



## PACKAGE CONTENTS



Unpack your light fixture and check the contents. You should have the following items:

### PACKAGE CONTENTS

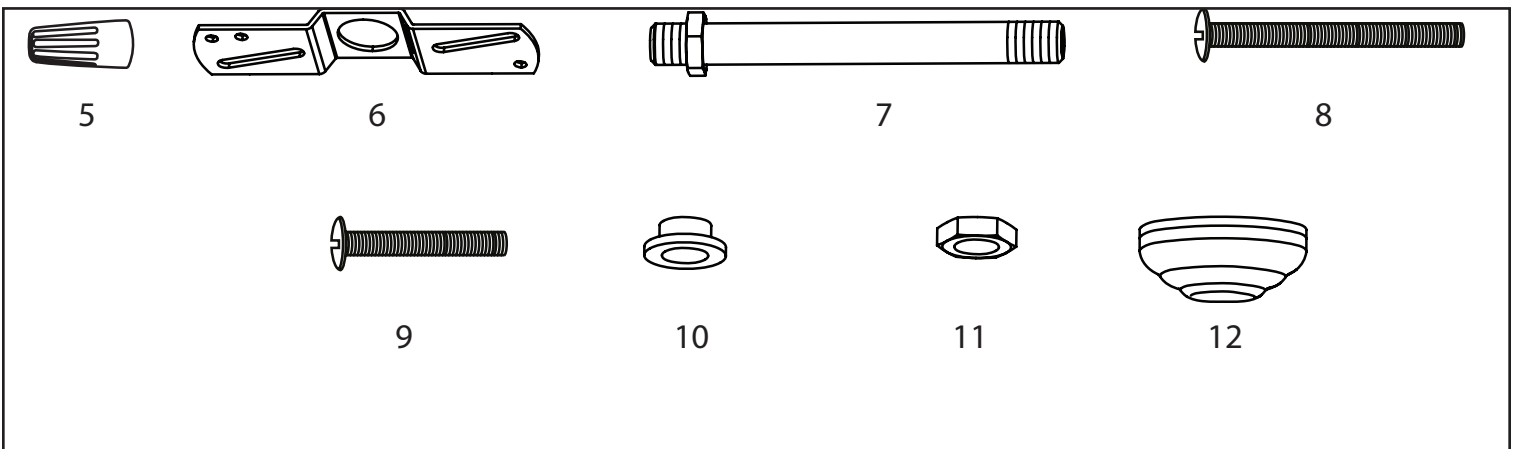
- |                  |                   |
|------------------|-------------------|
| 1. Light Housing | 3. Hardware Kit   |
| 2. Glass Bowl    | 4. Owner's Manual |

### HARDWARE CONTENTS

- |                        |                    |
|------------------------|--------------------|
| 5. Wire Connector (x3) | 10. Rubber Grommet |
| 6. Mounting Bracket    | 11. Hex Nut        |
| 7. Threaded Rod        | 12. Finial         |
| 8. Bracket Screws (x2) |                    |
| 9. Mounting Screw (x2) |                    |

**Note:** Some extra hardware may have been included. The quantity listed above is the number required for installation.

## HARDWARE CONTENTS



## SAFETY INSTRUCTIONS

READ ALL SAFETY INFORMATION AND INSTALLATION INSTRUCTIONS BEFORE BEGINNING TO INSTALL THE LIGHT KIT AND SAVE INSTRUCTIONS.

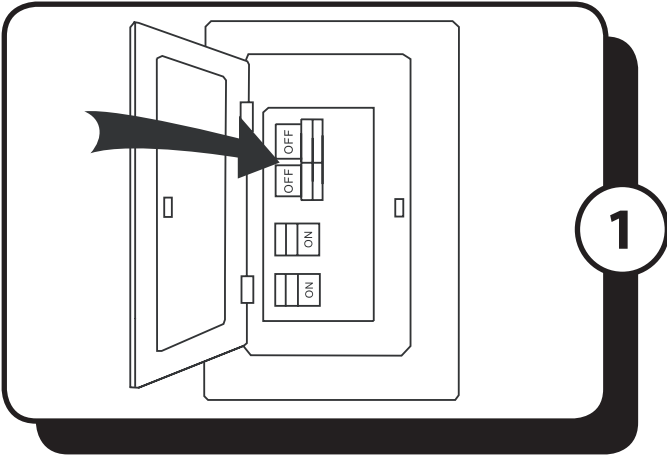
- This fixture is intended for indoor use. Not suitable for damp or outdoor locations.
- The images and instructions in this manual are generic, but in most cases the installation will be easy to follow. If unsure about installation, consult a qualified licensed electrician for proper installation.

**NOTE:** The net weight of the light fixture is less than: 4.4 lbs.

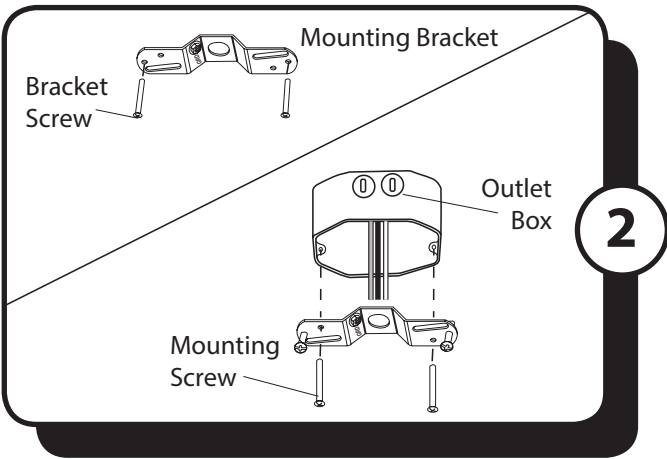
### WARNING

- To avoid risk of electric shock, be sure to shut off power at the main fuse or circuit breaker box before installing or servicing this fixture. Turning off the electrical power by using the light switch is not sufficient to prevent electrical shock.
- Installation must comply with the national electrical code, ANSI/NFPA 70-1999 and local codes. If you are unfamiliar with the methods of installing electrical wiring, seek the services of a qualified licensed electrician.
- To avoid personal injury, the use of gloves or protective clothing may be necessary when handling fixture parts with sharp edges.
- To reduce the risk of fire, electrical shock or personal injury, do not connect this fixture to a ceiling fan is not properly grounded.
- To reduce the risk of fire, electrical shock, or personal injury, each wire connector used with this light kit should accept only one 18-gauge wire from the light kit and one 18-gauge wire from the ceiling fan.
- Wire colors from ceiling fan may not be the same color used in this manual. When in doubt, consult a qualified licensed electrician to determine the proper wiring.

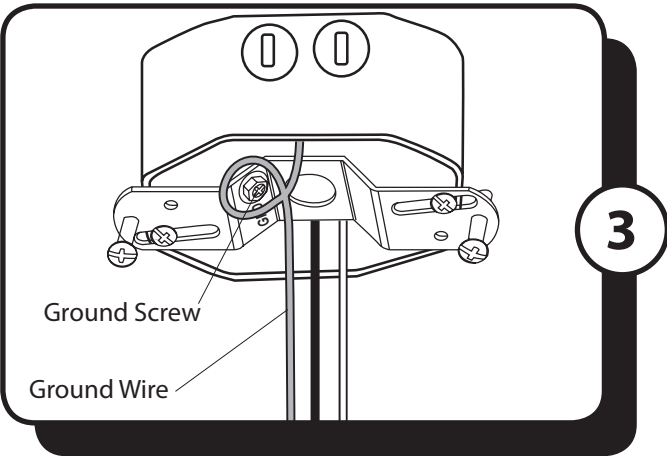
## ASSEMBLY INSTRUCTIONS



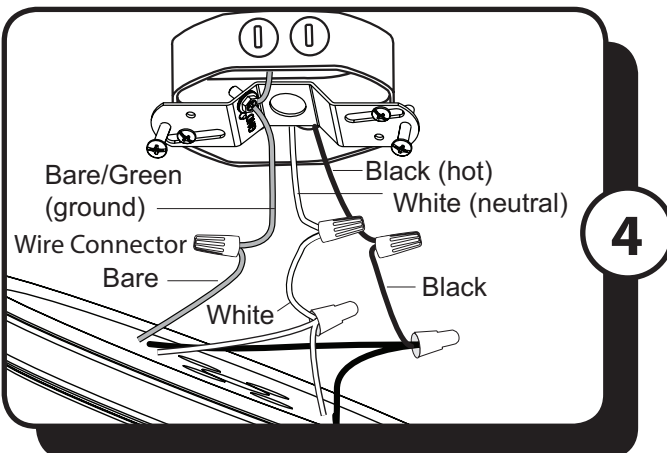
1. Turn OFF the electrical power at the main fuse or circuit breaker.



2. Attach the bracket screws from the hardware bag to the mounting bracket, then attach the mounting bracket to the outlet box (not included) using the two mounting screws from the hardware bag.



3. Loosen the ground screw on the mounting bracket and wrap the bare (ground) supply wire around the ground screw. Tighten the ground screw to hold the ground wire in place.

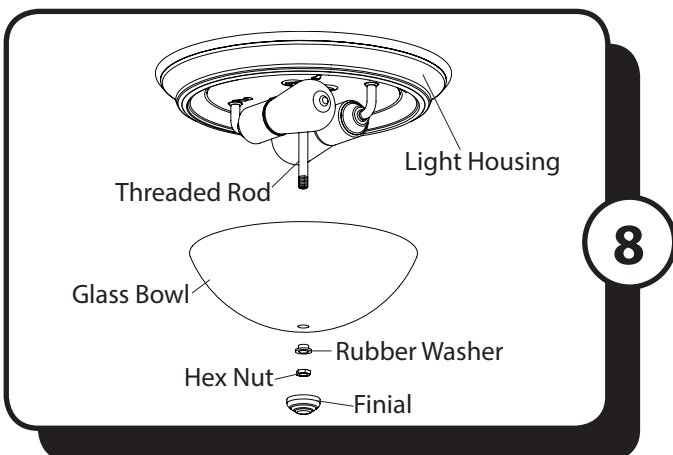
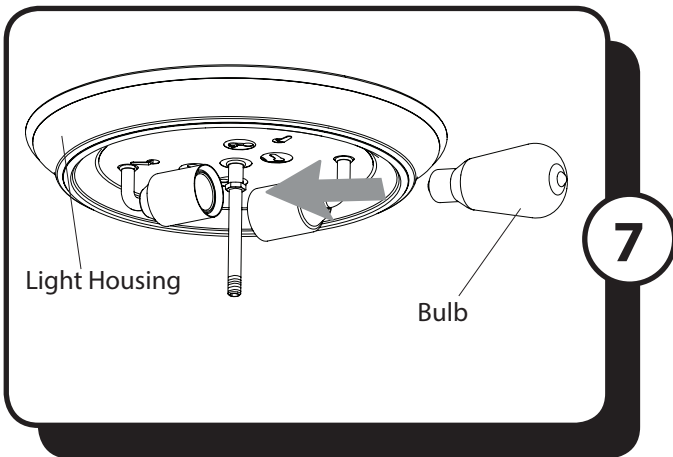
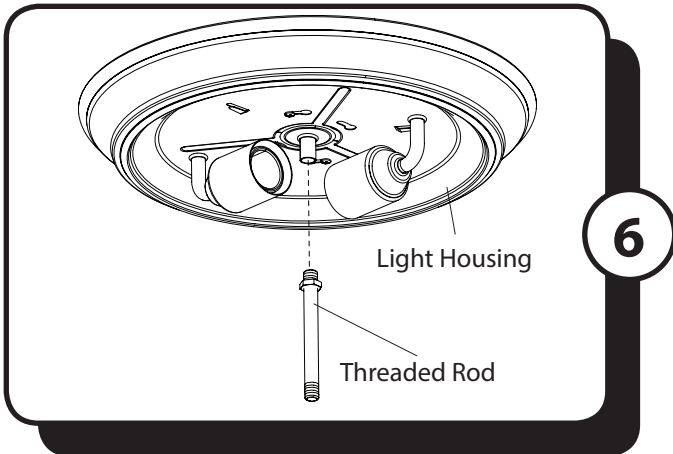
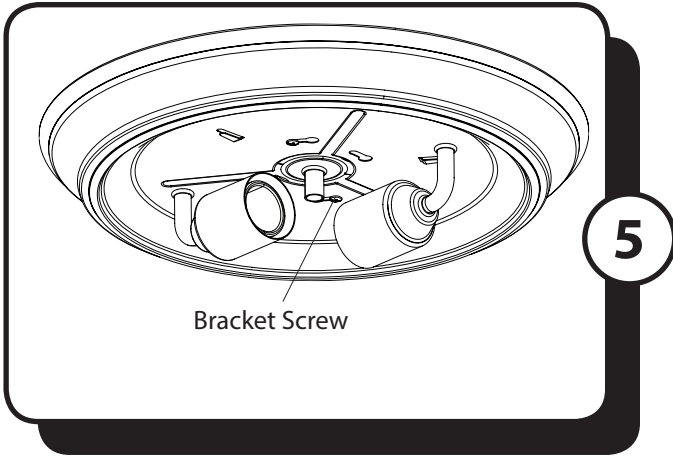


4. Use wire connectors to secure the household supply wires to the light housing wires according to the image and the following instructions:

- Connect the black (hot) supply wire to the black wire from the light housing.
- Connect the white (neutral) supply wire to the white wire from the light housing.
- Connect the bare/green (ground) supply wire to the bare wire from the light housing.

Turn the wire connections upward and gently push them up into the outlet box.

## ASSEMBLY INSTRUCTIONS



5. Lift the two key hole slots in the light housing onto the bracket screws previously assembled to the mounting bracket and turn in a clockwise direction. Tighten the two bracket screws to secure the light housing to the mounting bracket.

6. Twist the threaded rod clockwise into the center hole in the light housing.

7. Install the two E-26 base bulbs (not included) into the sockets of the light housing.

8. Lift the glass bowl onto the threaded rod until it is flush with the light housing. Then secure using the rubber washer, hex nut, and finial.

Restore the power at the main fuse or circuit breaker.

**Assembly is complete.**

## TROUBLESHOOTING

**WARNING:** Ensure the power is turned off to the ceiling fan and light kit before performing any maintenance.

PROBLEM	SUGGESTED REMEDY
1. Fixture does not light up.	1. Turn on wall switch, and check fuses or circuit breakers. 2. Turn off power to the light fixture and check wire connections.

## WARRANTY

# 3-YEAR LIMITED WARRANTY

The manufacturer warrants all of its lighting fixtures against defects in materials and workmanship for three (3) years from the date of purchase. If within this period the product is found to be defective, take a copy of the bill of sale as a proof of purchase and the product in its original carton to the place of purchase. The manufacturer will, at its option, repair, replace or refund the purchase price to the consumer. All costs of installation and removal of the fixture is the responsibility of the consumer. This warranty does not cover fixtures becoming defective due to misuse, accidental damage or improper handling and/or installation and specifically excludes liability for direct, incidental or consequential damages. As some states do not allow exclusions of limitations on an implied warranty, the above exclusion and limitation may not apply. This warranty gives you specific rights and you may also have other rights which may vary from state to state.