

ASSEMBLING INSTRUCTION

A X1PC



B X1PC



C X2PCS



DX1PC



E X8PCS



F X4PCS



G X4PCS



H X12PCS



I X4PCS



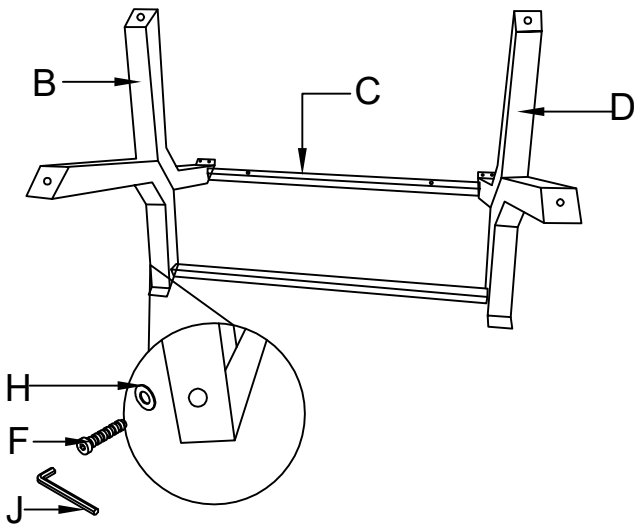
JX1PC



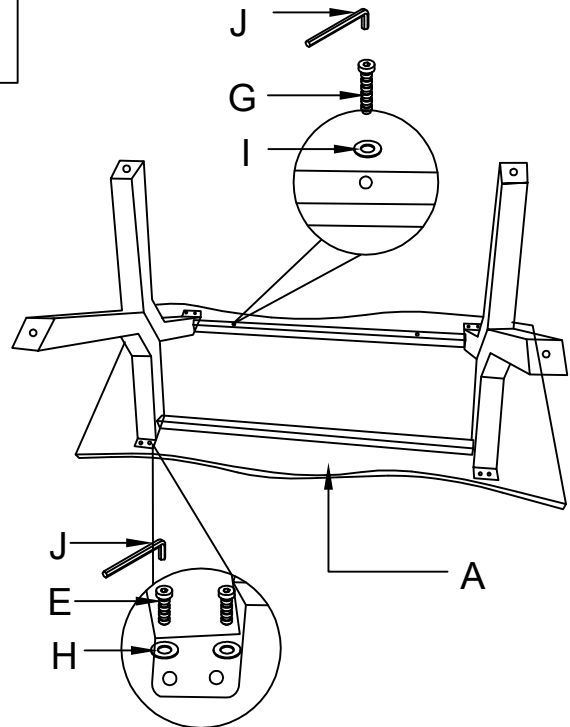
K X4PCS



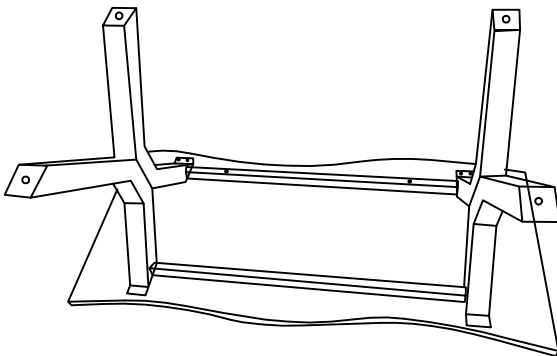
1



2



3



4

