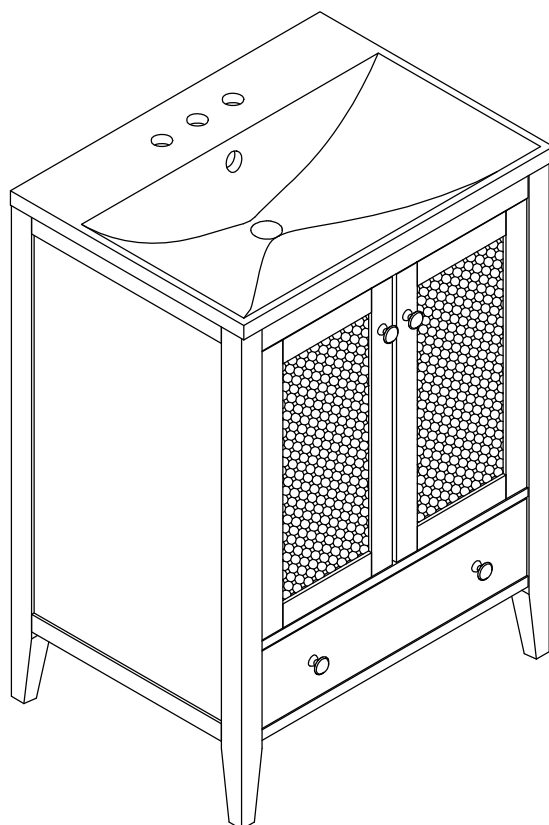


User's Manual

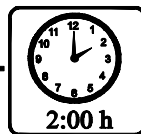
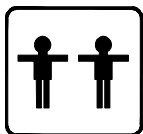


Thank you for purchasing this quality product. Be sure to check all packing material carefully for small parts which may have come loose inside the carton during shipment. Separate, identify and count all parts and hardware.

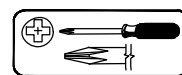
Compare with the parts list to be sure all parts are present.

"DO NOT TIGHTEN SCREWS UNTIL COMPLETELY ASSEMBLED"

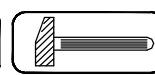
*** Use of power tool to assemble this product will invalidate any claim and damage this product making unsafe !!!**
*** Please assemble on a clean soft surface to avoid damage.**



Tools Required



(Not included)



(Not included)

IMPORTANT:

PLEASE READ INSTRUCTION BEFORE STARTING THE ASSEMBLY

Thank you for buying our products.

Please read the installation manual carefully before installation,

we need you to follow the instructions on the accessories and hardware

step by step assembly complete, our instructions are very detailed.

Products are environmentally friendly products,

Please rest assured that you do not soak in water, do not place very heavy items,

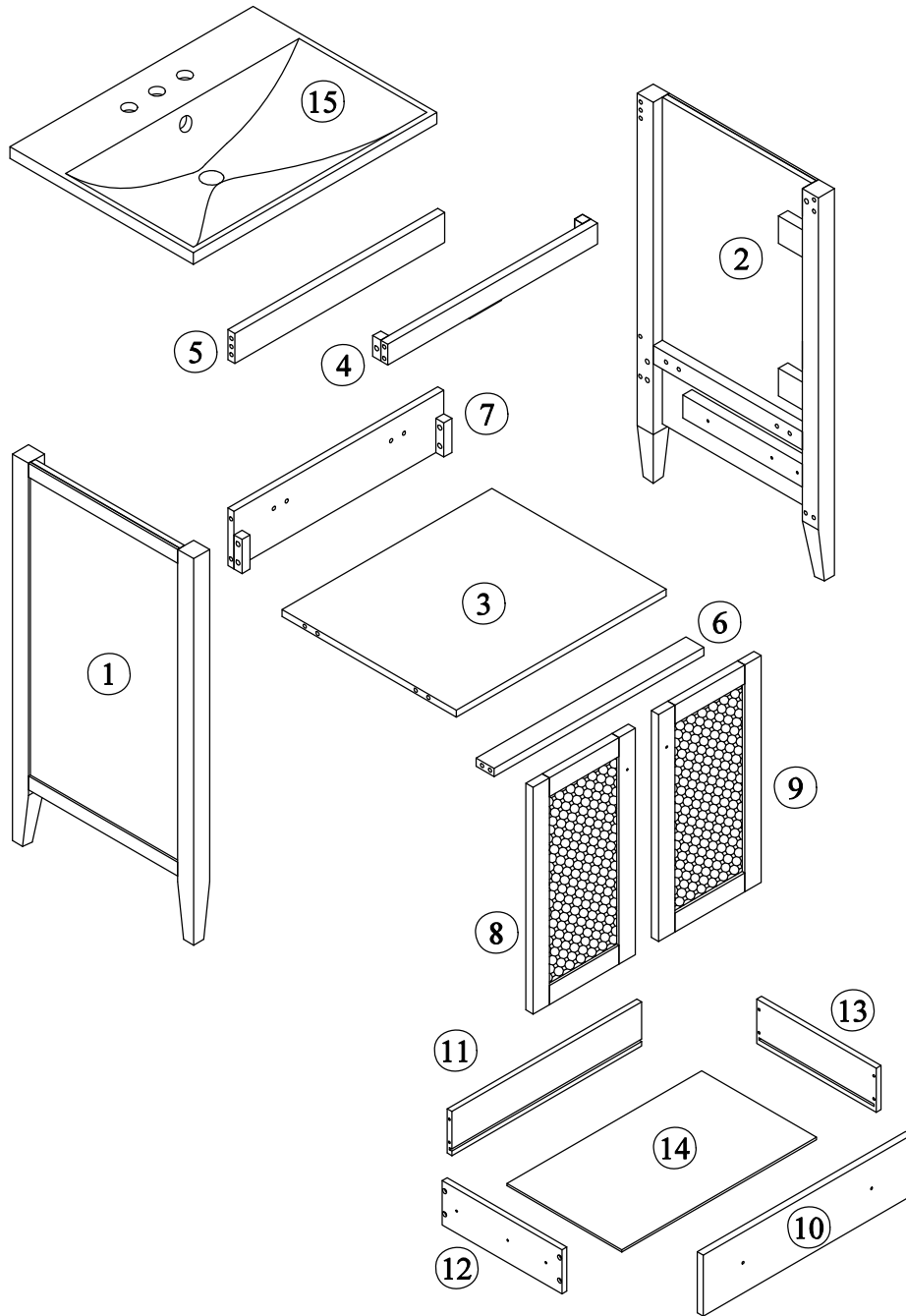
do not malicious push and pull,

if you have any problems in the process of assembly and use, please contact us.

Thank you again for your purchase of our products,

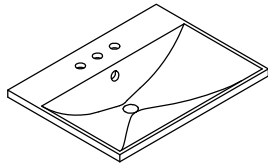
I wish you a happy life.

Detail View - CABINET



Identifying the Hardware-Identify the hardware using the illustrations below.

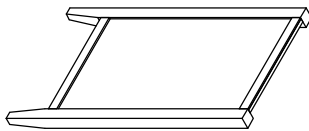
15



Sink - 1pc

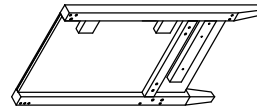
Part List - WF297609

1



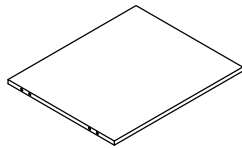
Side Panel (L) - 1pc

2



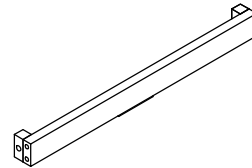
Side Panel (R) - 1pc

3



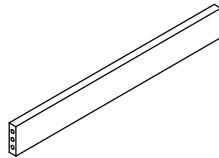
Mid Fixed Panel - 1pc

4



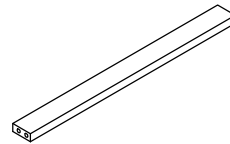
Top Crossbar Front - 1pc

5



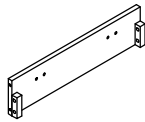
Top Crossbar Rear - 1pc

6



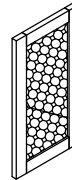
Bottom Crossbar Front - 1pc

7



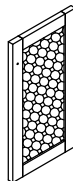
Bottom Crossbar Rear - 1pc

8



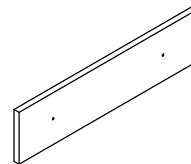
Door (L) - 1pc

9



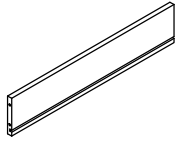
Door (R) - 1pc

10



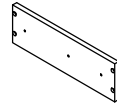
Drawer Front - 1pc

11



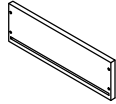
Drawer Rear - 1pc

12



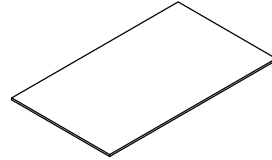
Drawer Left - 1pc

13



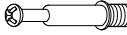





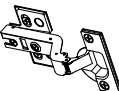
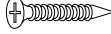
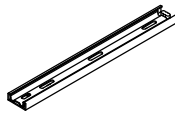
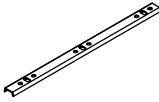
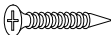


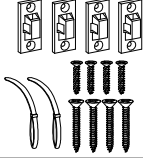


Drawer Right - 1pc

14

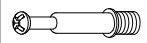


Drawer Bottom - 1pc

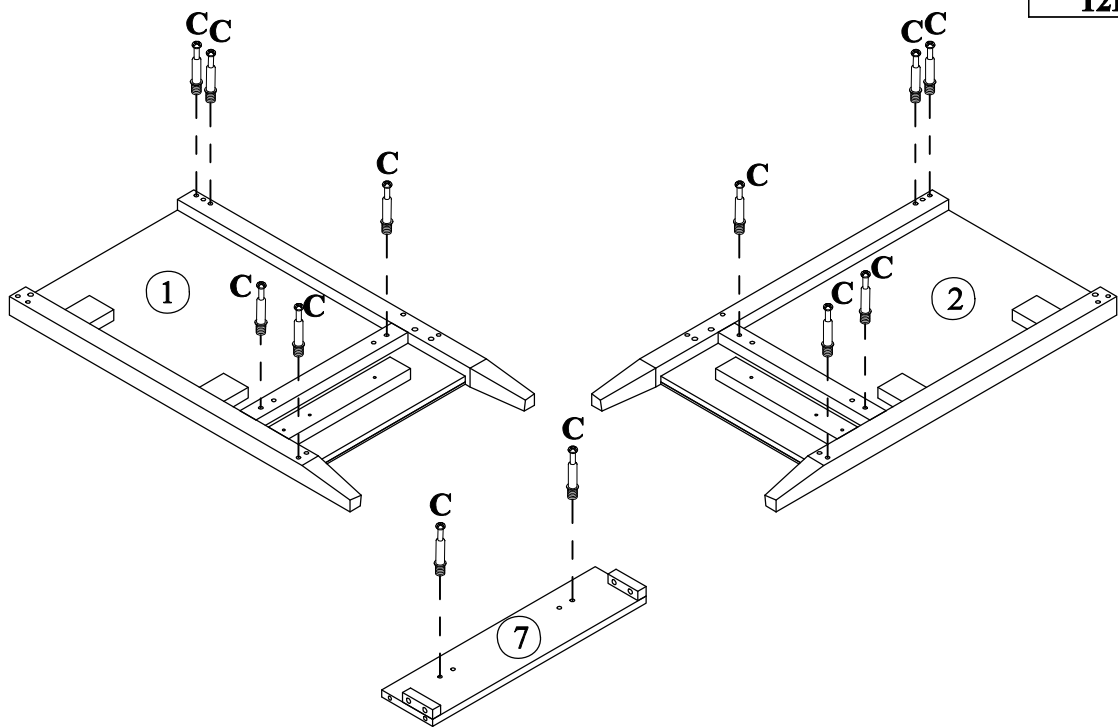
<p>A</p>  <p>$\varnothing 13 \times 1/4" \times 32 \text{mm}$</p>	<p>B</p>  <p>$\varnothing 1/4" \times 16 \times 1 \text{mm}$</p>	<p>C</p>  <p>$\varnothing 6 \times 35 \text{mm}$</p>
<p>Hex-Head bolts(6pcs) Washer(6pcs) Three in one bolts(12pcs)</p>		
<p>D</p>  <p>$\varnothing 14.5 \times 12 \text{mm}$</p>	<p>E</p>  <p>$\varnothing 8 \times \varnothing 4 \times 32 \text{mm}$</p>	<p>F</p> 
<p>Three in one lock(12pcs) Round head screw(8pcs) Handle(4pcs)</p>		
<p>G</p>  <p>$\varnothing 5/32" \times 25 \text{mm}$</p>	<p>H</p>  <p>$\varnothing 5/32" \times 32 \text{mm}$</p>	<p>I</p> 
<p>Handle screw(2pcs) Handle screw(2pcs) Damping hinge (4pcs)</p>		
<p>J</p>  <p>$\varnothing 7 \times \varnothing 3.5 \times 12 \text{mm}$</p>	<p>K</p>  <p>$\varnothing 300 \times 35 \text{mm}$</p>	<p>L</p>  <p>$\varnothing 298 \times 18 \text{mm}$</p>
<p>Flat head screw(24pcs) Slide rails (2pcs) Slide rails (2pcs)</p>		
<p>M</p>  <p>$\varnothing 6 \times \varnothing 3 \times 12 \text{mm}$</p>	<p>N</p>  <p>$\varnothing 8 \times 30 \text{mm}$</p>	<p>O</p>  <p>4mm</p>
<p>Flat head screw(12pcs) Wood dowel(18pcs) Allen key(1pc)</p>		
<p>P</p>  <p>Anti fall hardware(1set)</p>		

STEP: 1

C



12PCS



STEP: 2

K

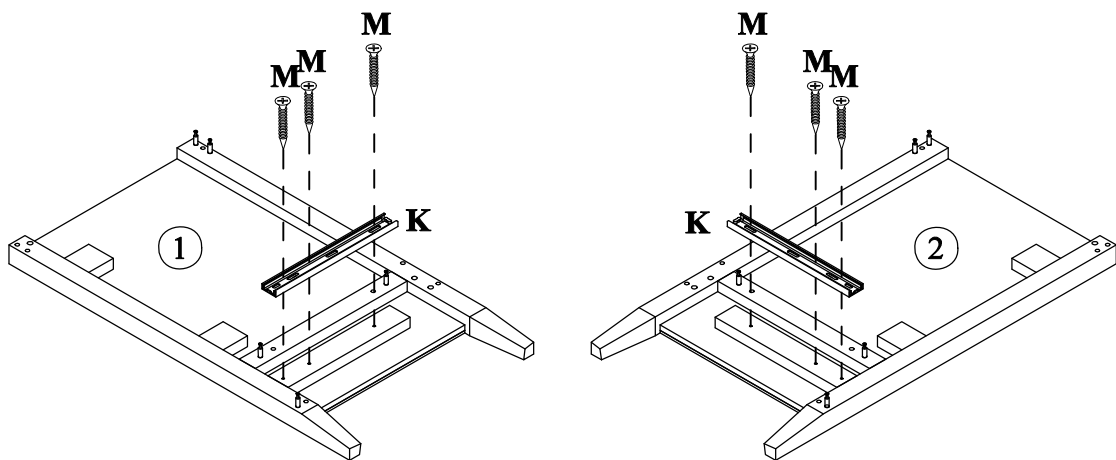


2PCS


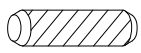
M

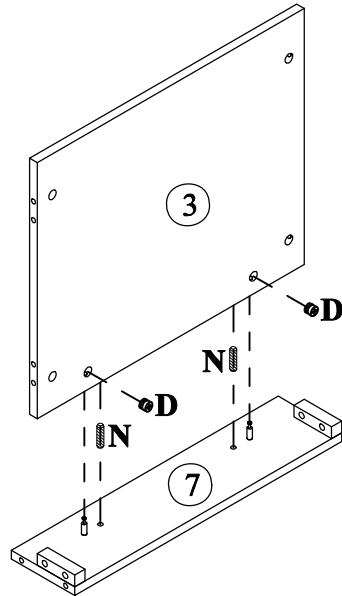


6PCS




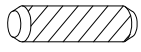


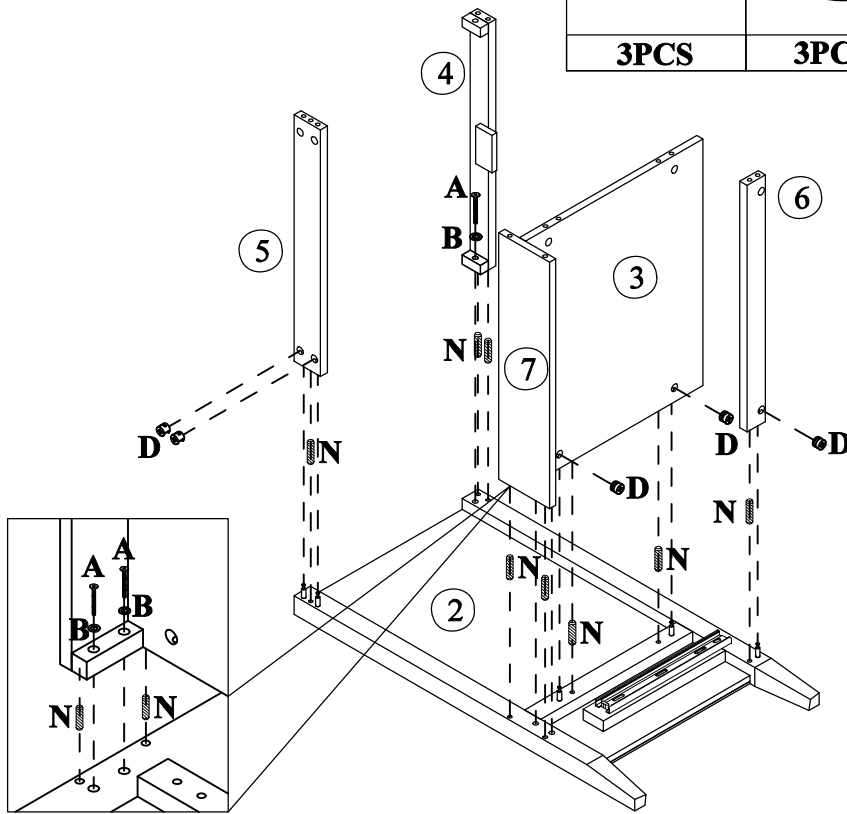
STEP: 3

D		N	
	2PCS		2PCS







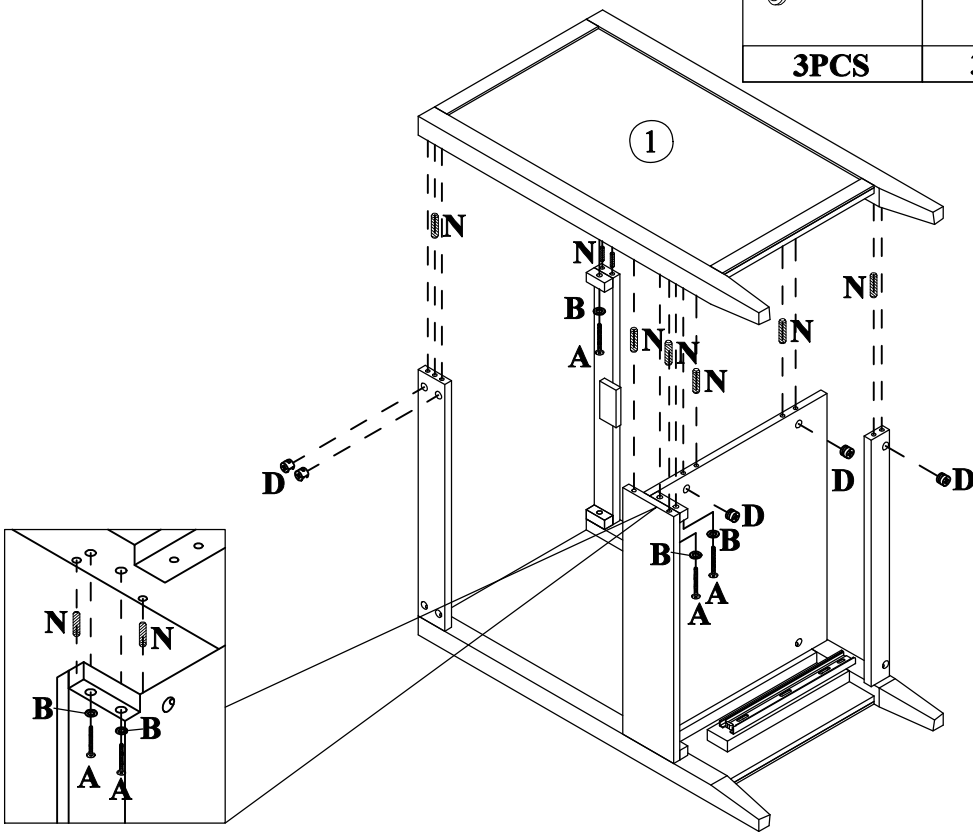
STEP: 4

A	B	D	N
			
3PCS	3PCS	5PCS	8PCS





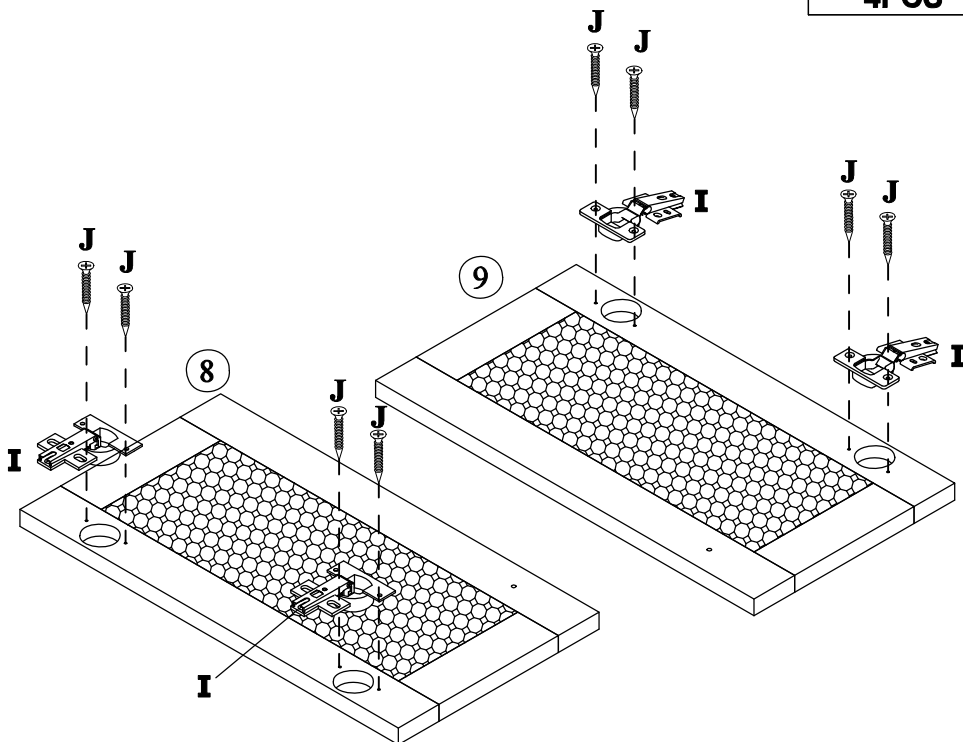
STEP: 5

A 	B 	D 
3PCS	3PCS	5PCS
N 		
8PCS		


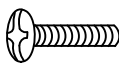



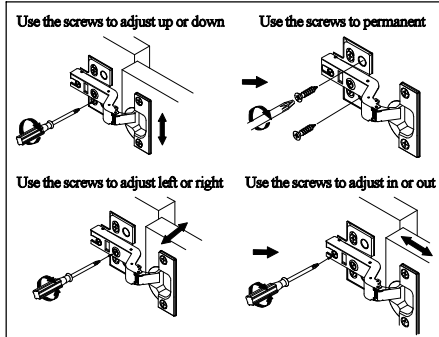
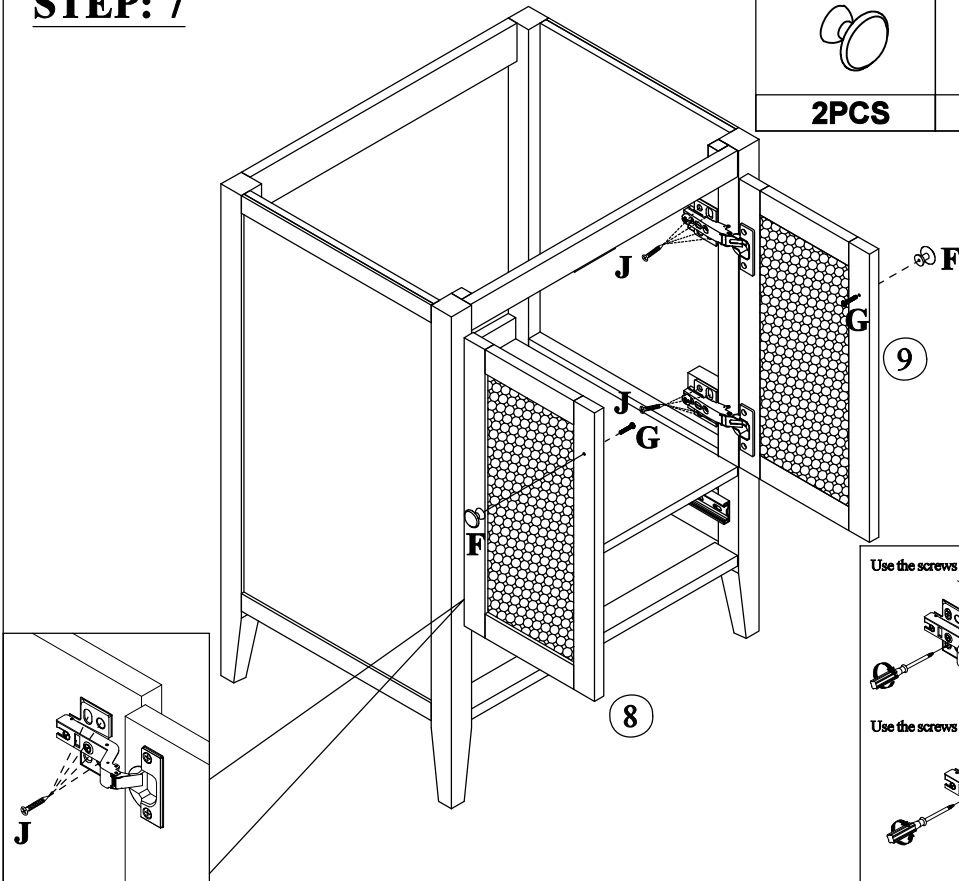
STEP: 6

I 	J 
4PCS	8PCS


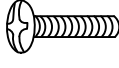



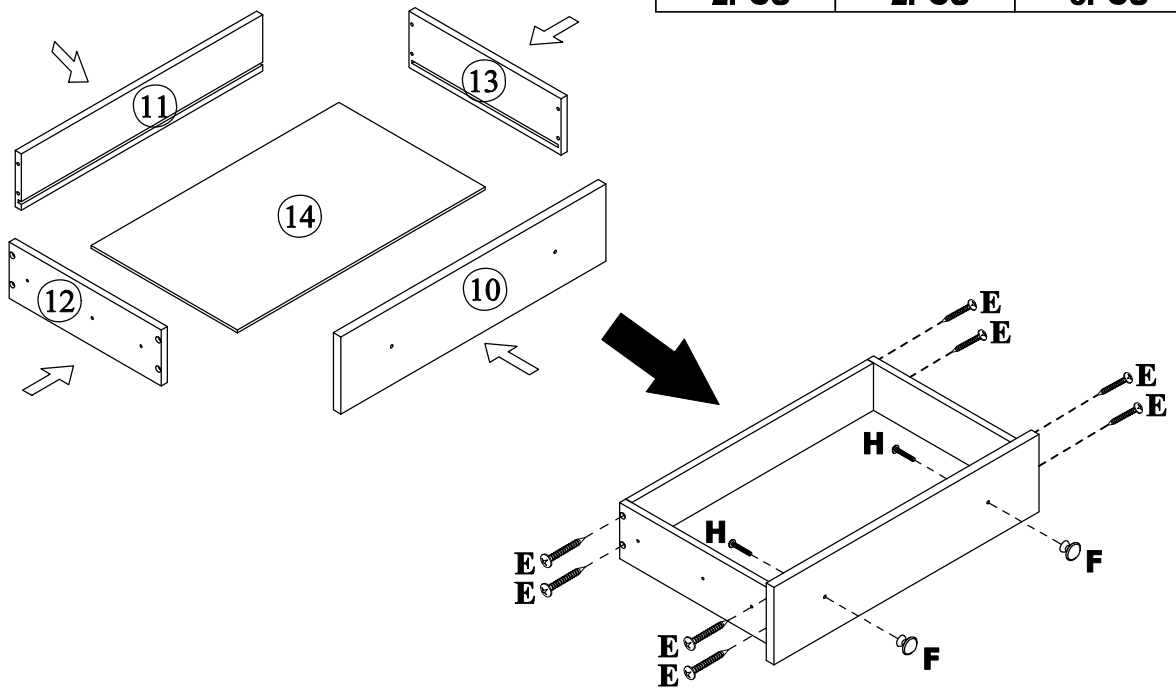
STEP: 7

F	G	J
		
2PCS	2PCS	16PCS

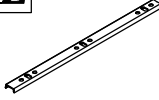



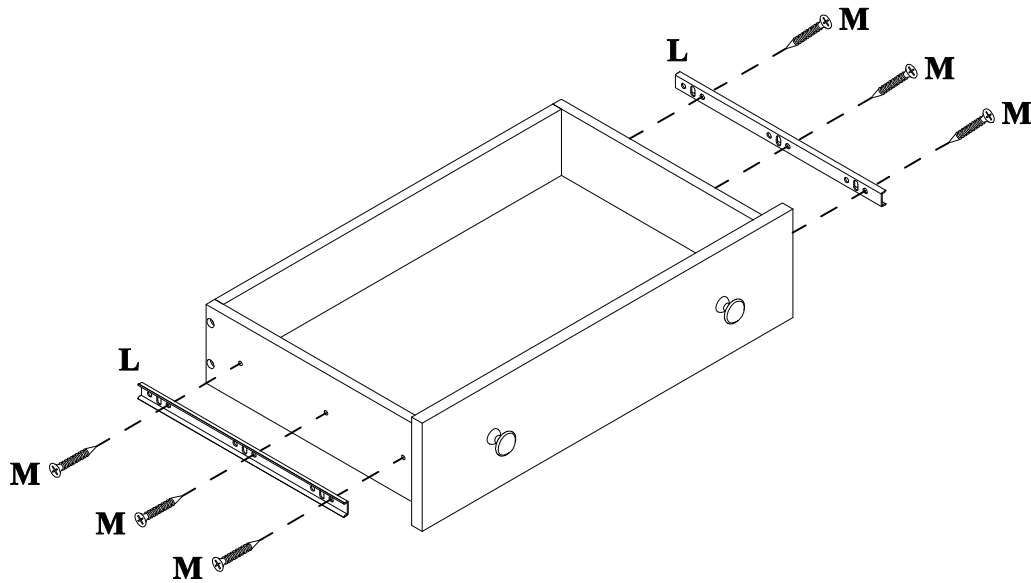
STEP: 8

F	H	E
		
2PCS	2PCS	8PCS



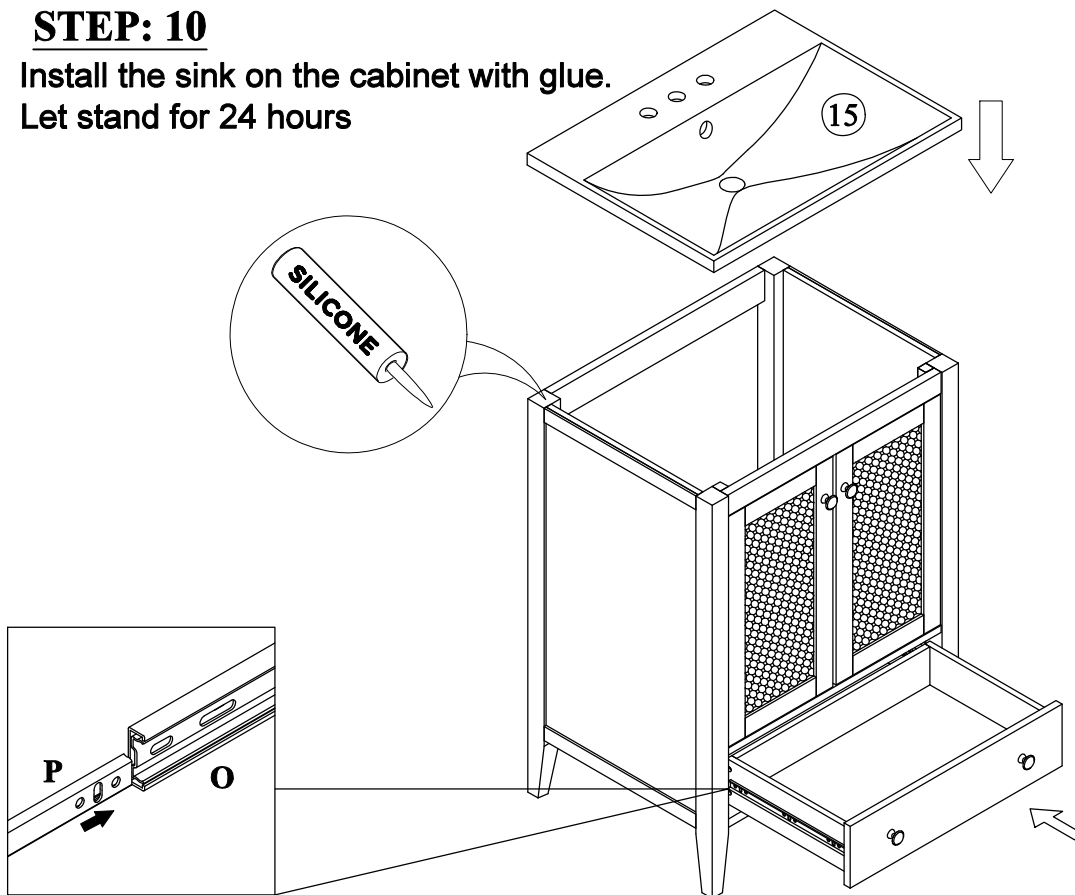
STEP: 9

L 	M 
2PCS	6PCS

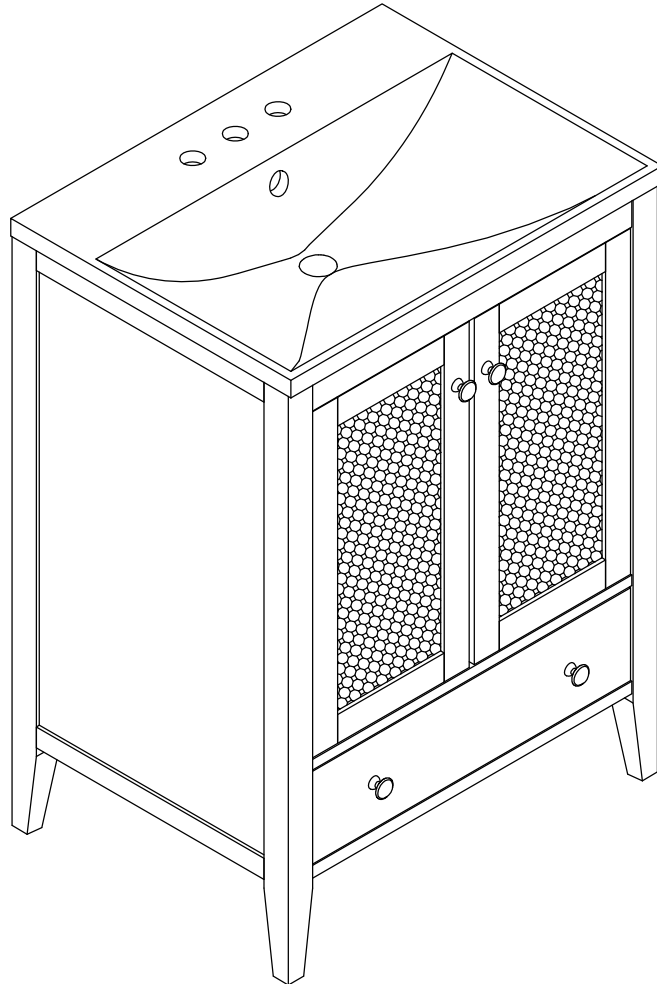


STEP: 10

Install the sink on the cabinet with glue.
Let stand for 24 hours



STEP: 11



IMPORTANT-READ CAREFULLY-RETAIN FOR FUTURE REFERENCE

WARNING:

- Children must stay away from the assembly zone, preventing children from potential asphyxia because of plastic bag and foam breathing in nose;
- For your safety, please do not tread or climb product.
- The loading weight shall be within the range that vendor claims. The product is designed for adults use, domestic use and indoor use only.
- The product shall not combine with other product for use.
- If the product with seat height adjustments with energy accumulators that only trained personnel may replace or repair seat height adjustment components with energy accumulators
- Check regularly that all assembly fastenings are properly tightened, do not use the product if any structural part is broken or missing
- Incorrect installation and incorrect use can cause accidents. Please completely follow the guidance of assembly instruction.

Security instructions:

- Before assembling check whether all parts listed in the parts list have been delivered. Do not start assembling if parts are missing or damaged.
- A failure to assemble this product correctly could cause damage or result in serious injury! Before assembling make sure that you have enough space for the procedure. Assemble on a flat surface.
- Keep the assembly instructions available at all times and follow each of the individual steps exactly.
- During assembly, be careful with all the parts of the assembly (do not walk on them or distort them) and beware of shearing and trapping risks. Keep children and pets away while setting up the furniture.