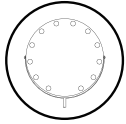




MIRROR

Installation Instruction

PACKING LIST



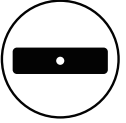
Desktop LED Vanity Mirror



Power Adapter



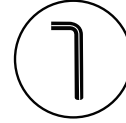
Instruction Manual



Base






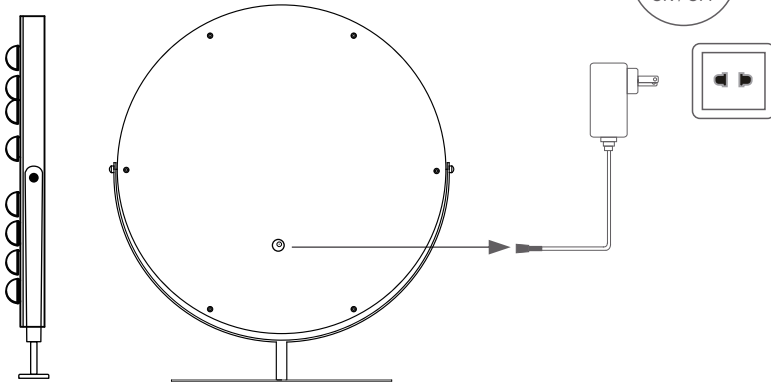
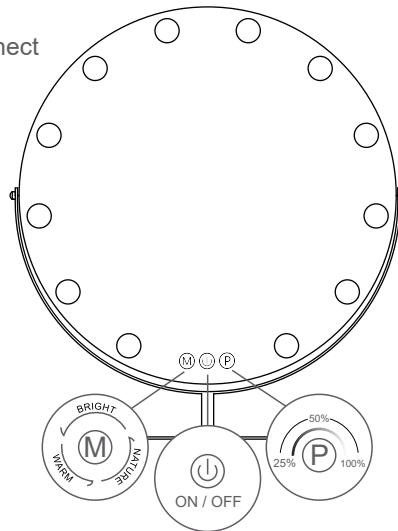
Screws



Hexagonal Wrench

OPERATING INSTRUCTIONS

- (1) Please use original adapter DC12V/2A, connect the appropriate adapter to the charging port on the back.
- (2) Press  switch to turn the light on/off. 100% brightness when turned on.
- (3) Press  to switch between cold, warm and natural light.
- (4) Long pressing  to adjust the brightness.
- (5) Unplug the adapter when it is no used.

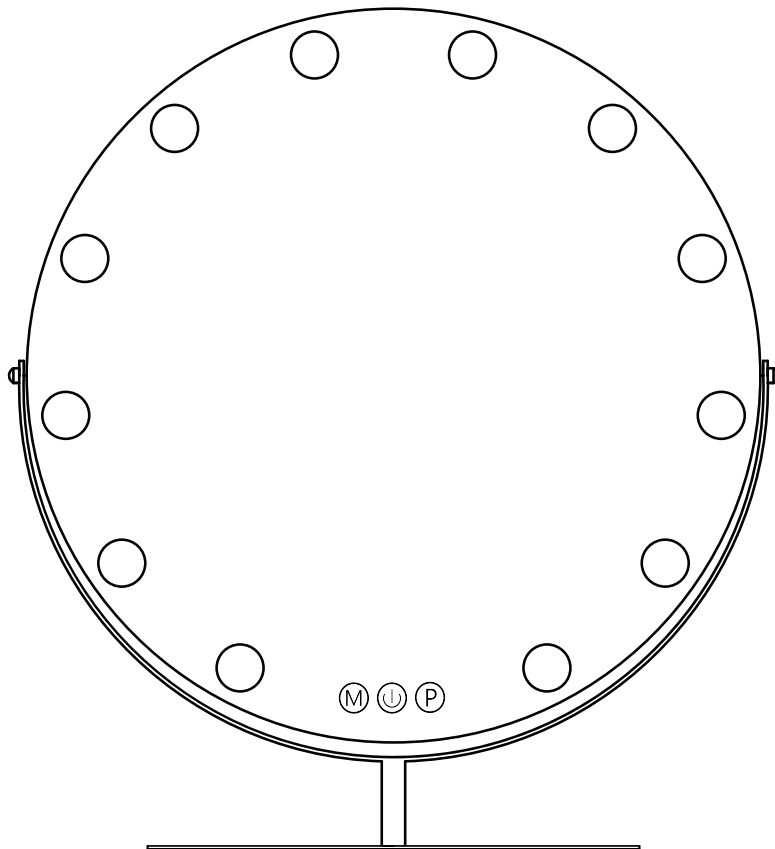


SAFETY INSTRUCTIONS

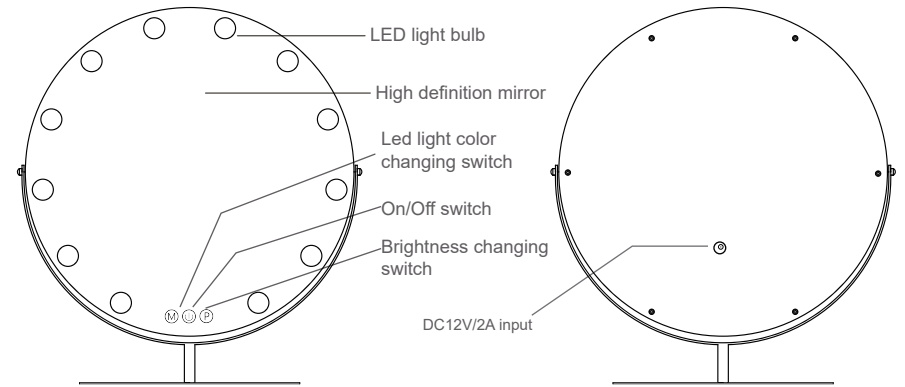
- ⚠ Please read the instructions carefully before using.
- ⚠ Do not disassemble or refit the products.
- ⚠ Press touch sensor button properly.
- ⚠ Do not place the product in wet environment in case of reduction of mirror life.
- ⚠ Keep the mirror dry. Moisture reduces the sensitivity of the product.
- ⚠ Turn off the power before cleaning. The surface of the mirror should be cleaned with glass cleaner. Please make sure the mirror is completely dry before using.
- ⚠ Turn off the power and avoid direct sunlight if not used or stored for a long time. Far away from children's access.
- ⚠ Make sure that your charging device is adequate for the mirror voltage rating before using.
- ⚠ Do not approach or put the product into the fire in case of fire or explosion. Stop using it immediately if abnormal condition occurs.

* We reserves the right of any modification of the product involving design and specification, all the materials here are for your reference only and are subject to the products you received. No further notice be given for any technical parameters changed.

DESKTOP LED VANITY MIRROR



ILLUSTRATE



SPECIFICATIONS

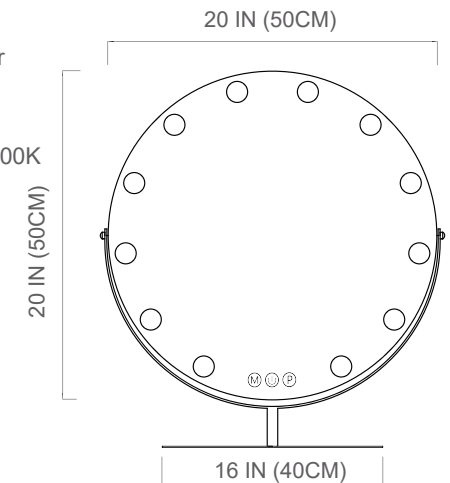
[Product Name] Desktop Led Vanity Mirror

[Material] Metal+Glass






[LED Color Temperature] 6500K/3500K±500K

[Power Supply] 12V/2A

[Product Size] 50*50*3 cm



SPECIAL FEATURE

-  4mm thickness high definition eco-friendly glass mirror.
-  This lighted makeup mirror uses built-on energy saving LED bulbs, Replacement bulbs are not required.
-  Free to switch between warm natural and cold light.
-  Built-in touch sensor switch.
-  Power supplied by adapter.