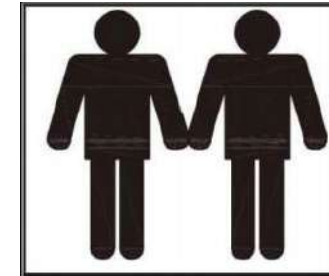
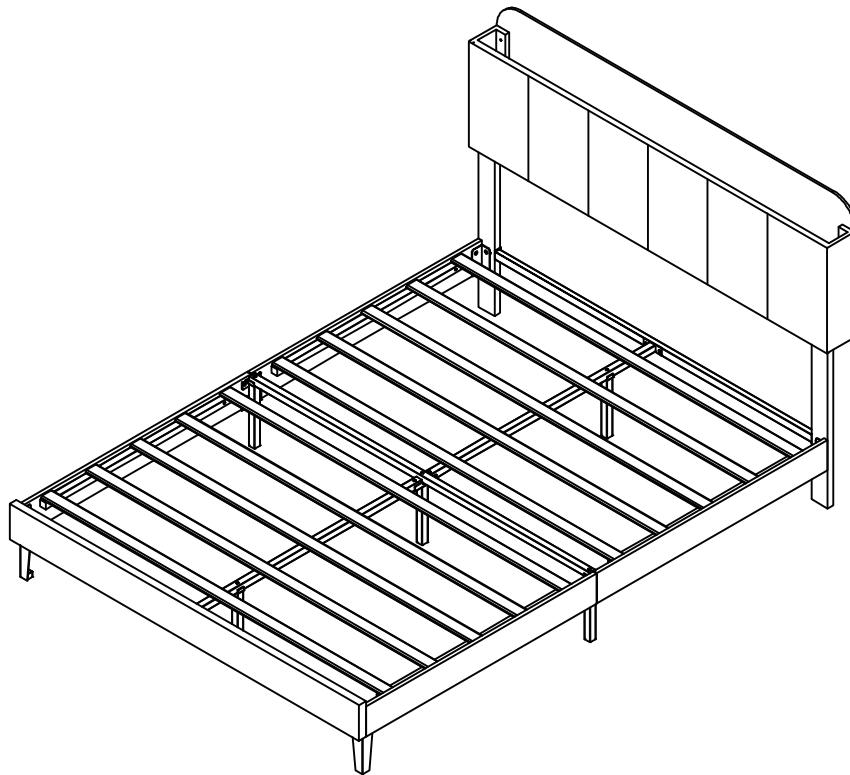


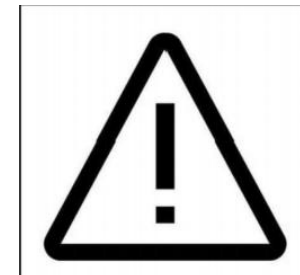
# Assembly Instruction

**Note:**

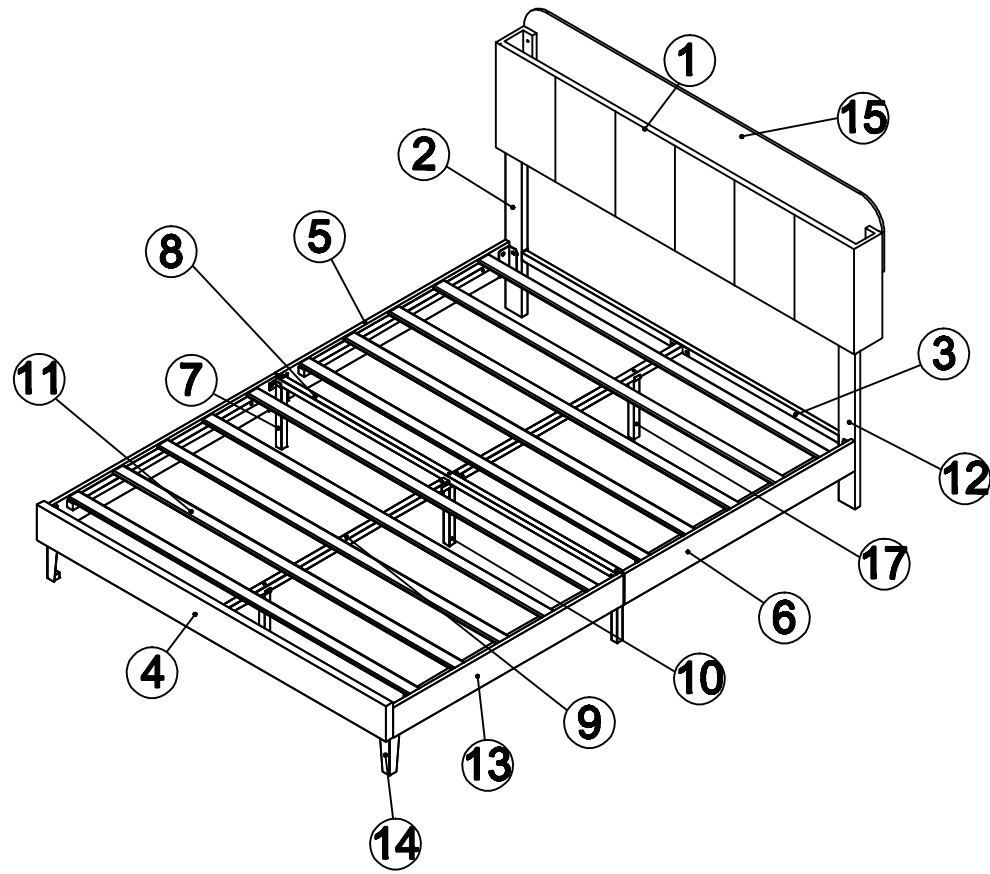
- 1. Should be assembled on flat ground to keep balance.**
- 2. Before completing the installation, do not tighten the screws.**



**It needs at least two people to install.**




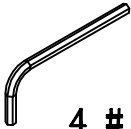


**Before starting the assembly, you must read the whole manual and follow the instructions.**



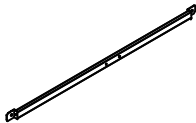
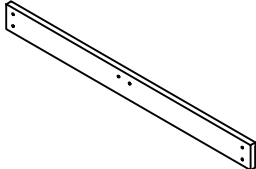
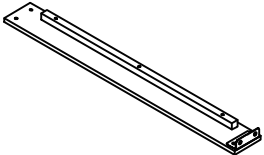
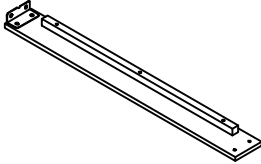
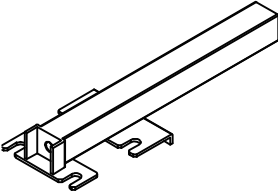
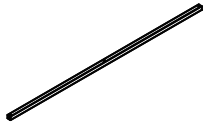
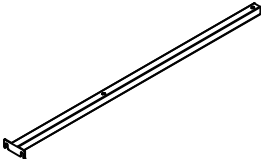
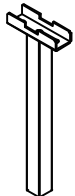
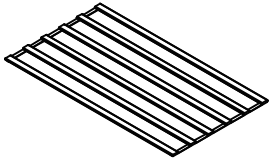

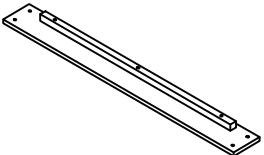
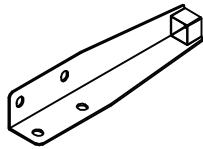
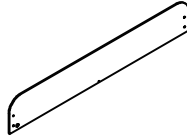

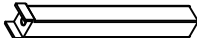


# Assembly Instruction

## Hardware arts

|  |   |  |  |  |  |
|--|---|--|--|--|--|
| <br><b>Ⓐ M8x20</b><br>31pcs | <br><b>Ⓑ M8x35</b><br>6pcs | <br><b>Ⓒ M8x45</b><br>5pcs | <br><b>Ⓓ 4 #</b><br>1pc |  |  |
|--|---|--|--|--|--|

## Part list

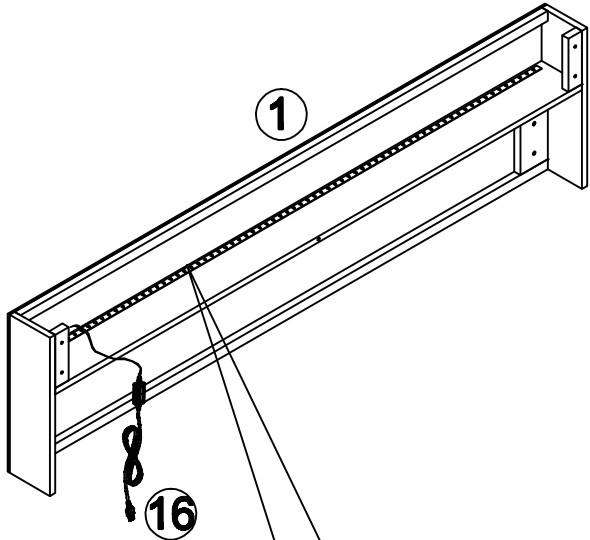
|   |   |   |  |   |   |
|---|---|---|--|---|---|
| <br><b>① 1 PC</b>    | <br><b>② 1 PC</b>    | <br><b>③ 1 PC</b>   | <br><b>④ 1 PC</b>                 | <br><b>⑤ 1 PC</b>    | <br><b>⑥ 1 PC</b>  |
| <br><b>⑦ 2 PCS</b>  | <br><b>⑧ 1 PC</b>   | <br><b>⑨ 2 PCS</b> | <br><b>⑩ 1 PC</b>                | <br><b>⑪ 2 PCS</b>  | <br><b>⑫ 1 PC</b> |
| <br><b>⑬ 2 PCS</b> | <br><b>⑭ 2 PCS</b> | <br><b>⑮ 1 PC</b> | <br><b>LED</b><br><b>⑯ 1 PC</b> | <br><b>⑰ 2 PCS</b> | <b>Page 3/10</b>  |

# Assembly Instruction

16



1pc



Attach the light strip of component (16) to the pre-made Velcro on the headboard.

A

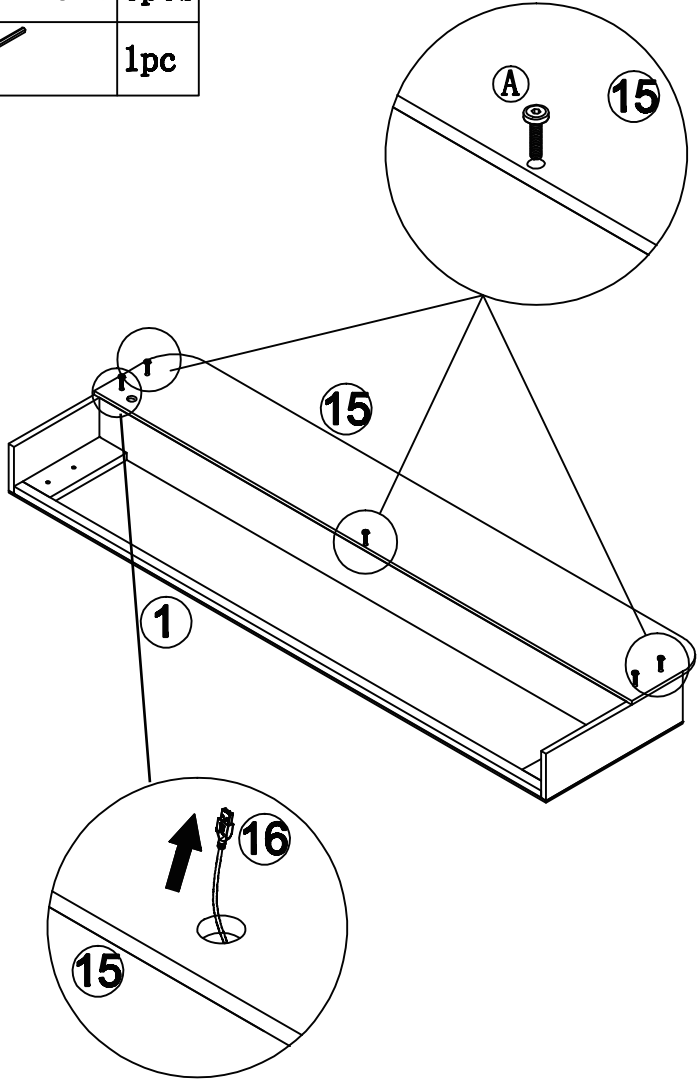


M8x20 5pcs

D

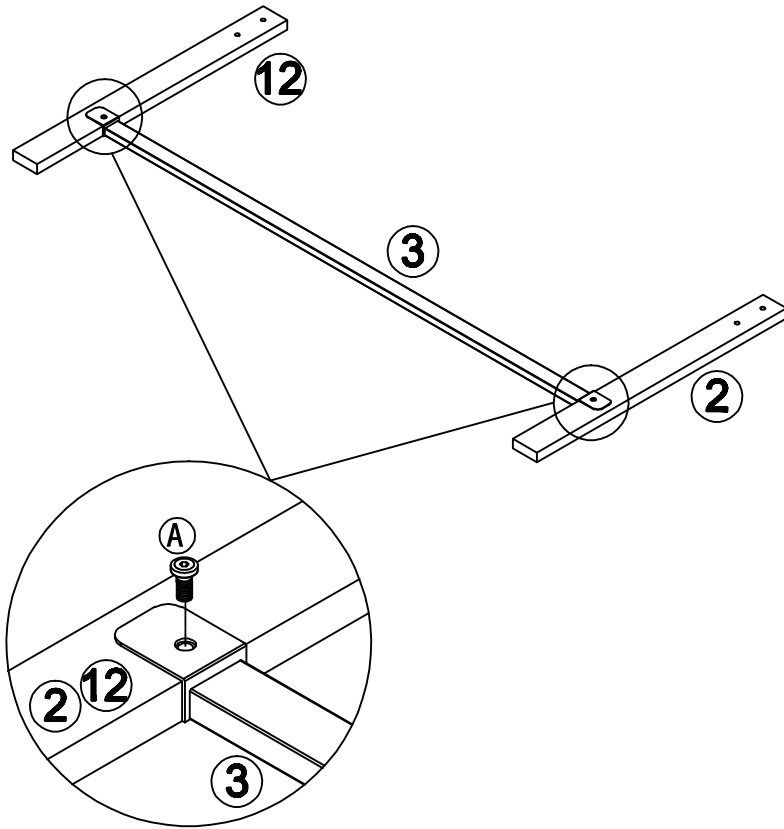




1pc

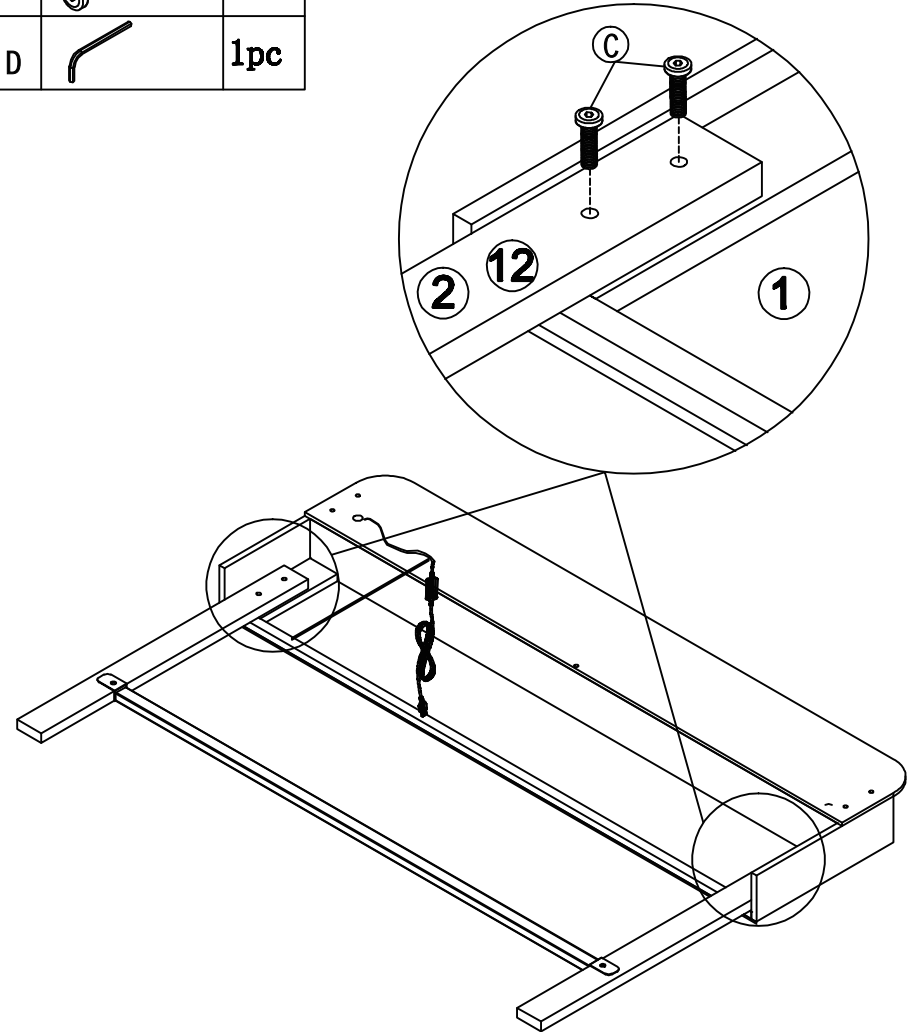


# Assembly Instruction

|   |   |      |
|---|---|------|
| A |  M8x20 | 2pcs |
| D |        | 1pc  |

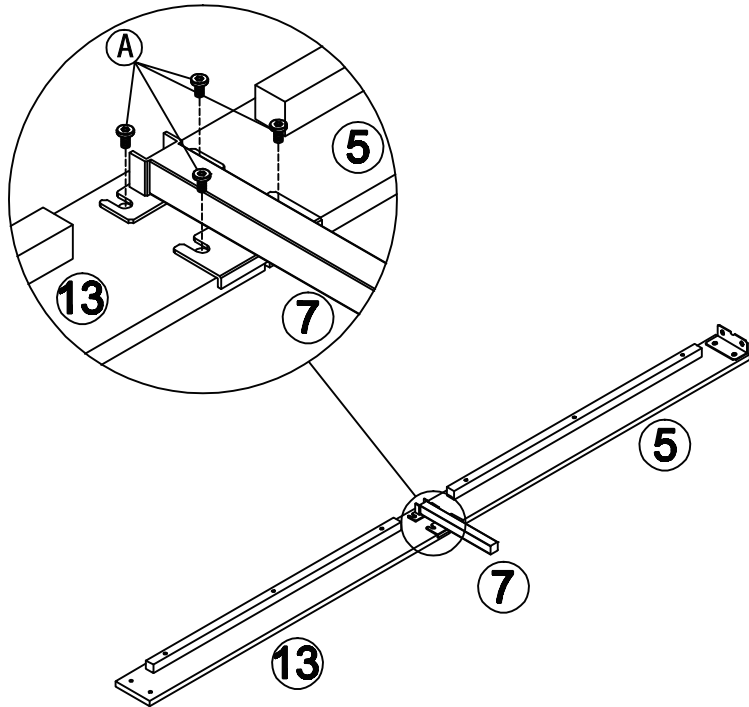


|   |   |      |
|---|---|------|
| C |  M8x45 | 4pcs |
| D |        | 1pc  |

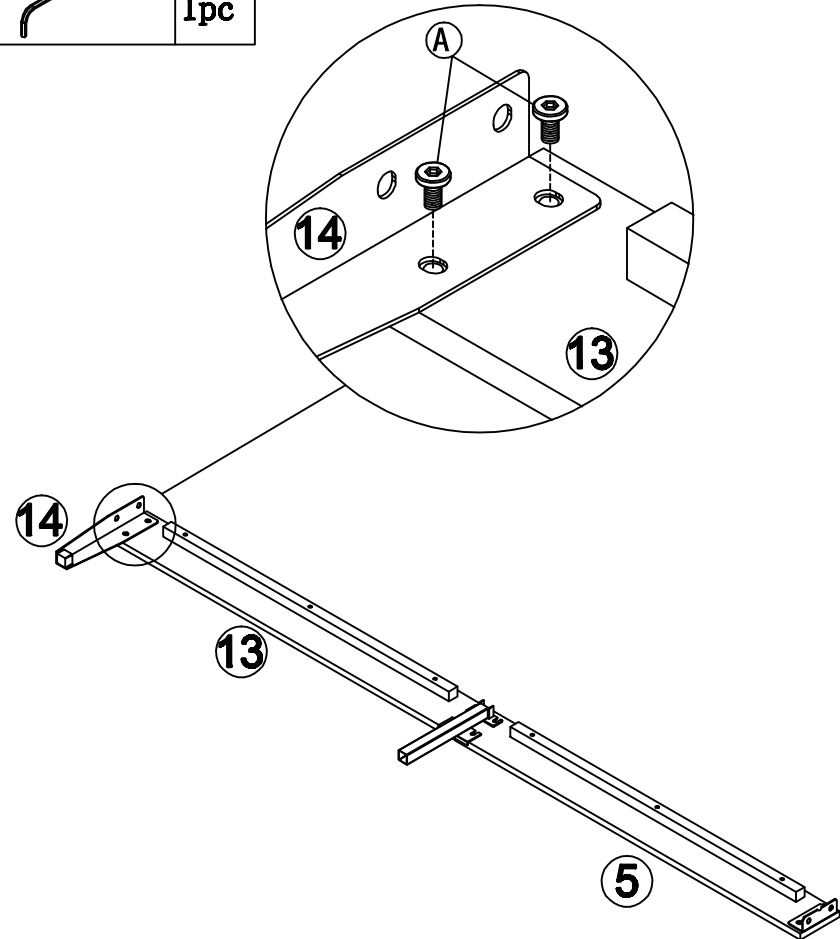


# Assembly Instruction

|   |   |      |
|---|---|------|
| A |  M8x20 | 4pcs |
| D |        | 1pc  |

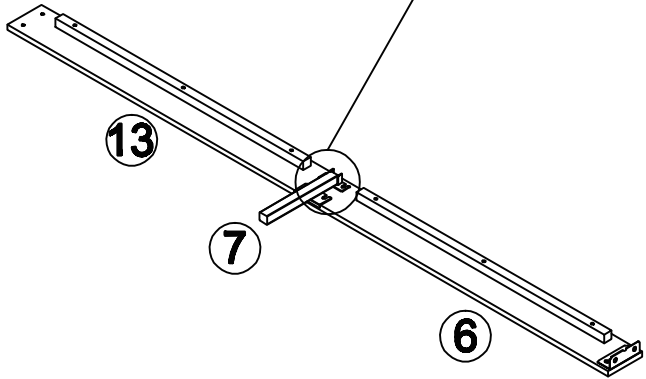
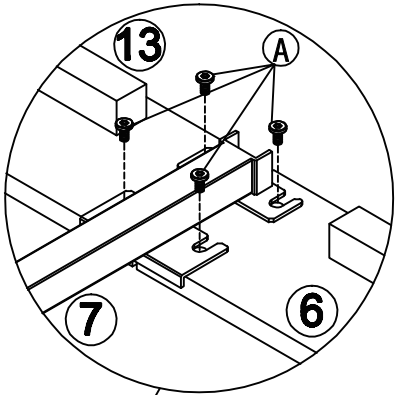


|   |   |      |
|---|---|------|
| A |  M8x20 | 2pcs |
| D |        | 1pc  |

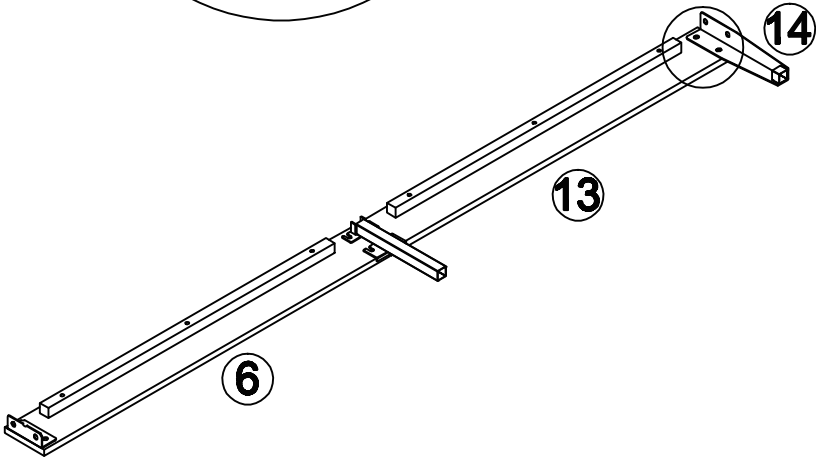
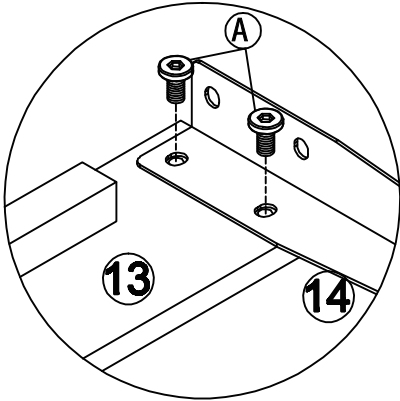


# Assembly Instruction



|   |   |      |
|---|---|------|
| A |  M8x20 | 4pcs |
| D |        | 1pc  |

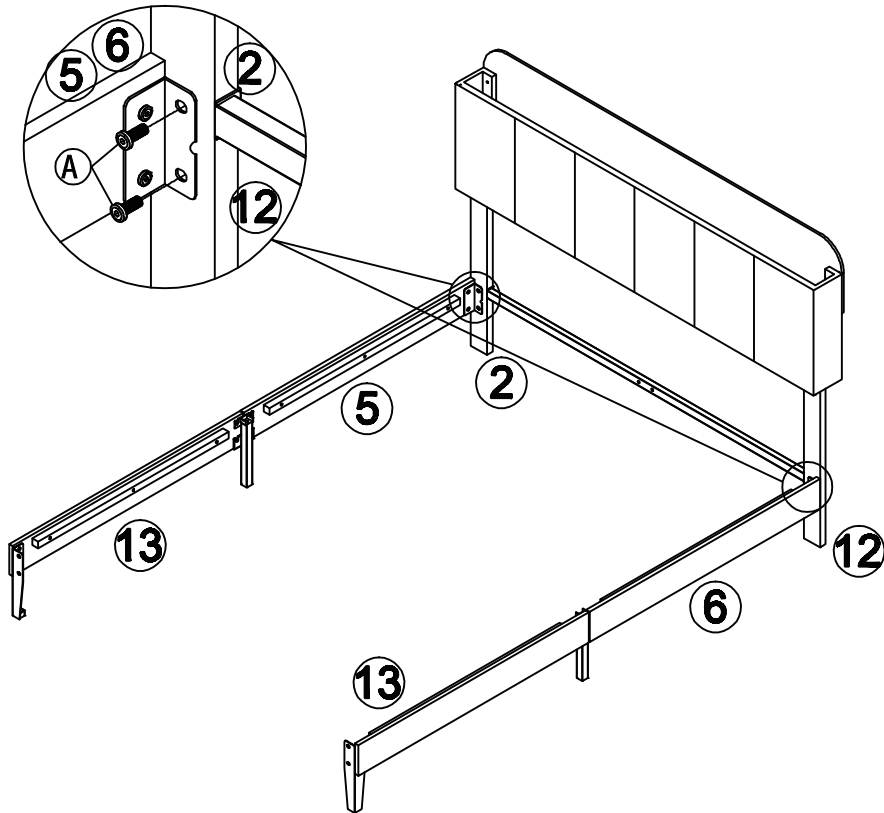




|   |   |      |
|---|---|------|
| A |  M8x20 | 2pcs |
| D |        | 1pc  |

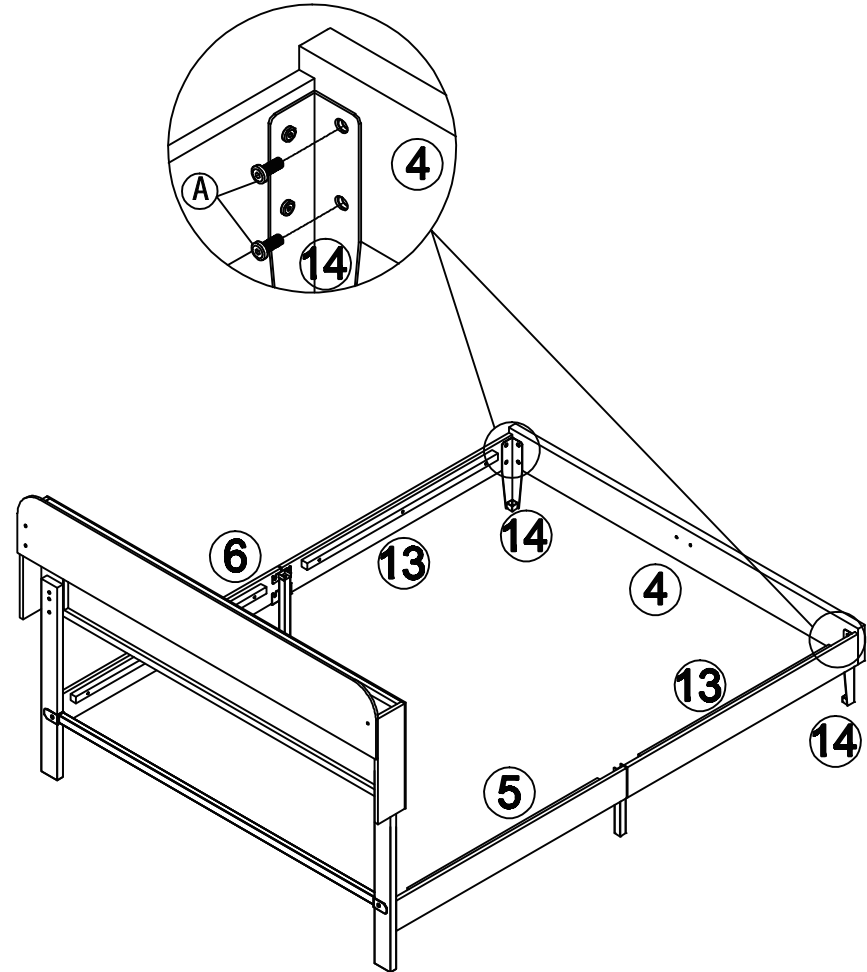


# Assembly Instruction




|   |   |      |
|---|---|------|
| A |  M8x20 | 4pcs |
| D |        | 1pc  |

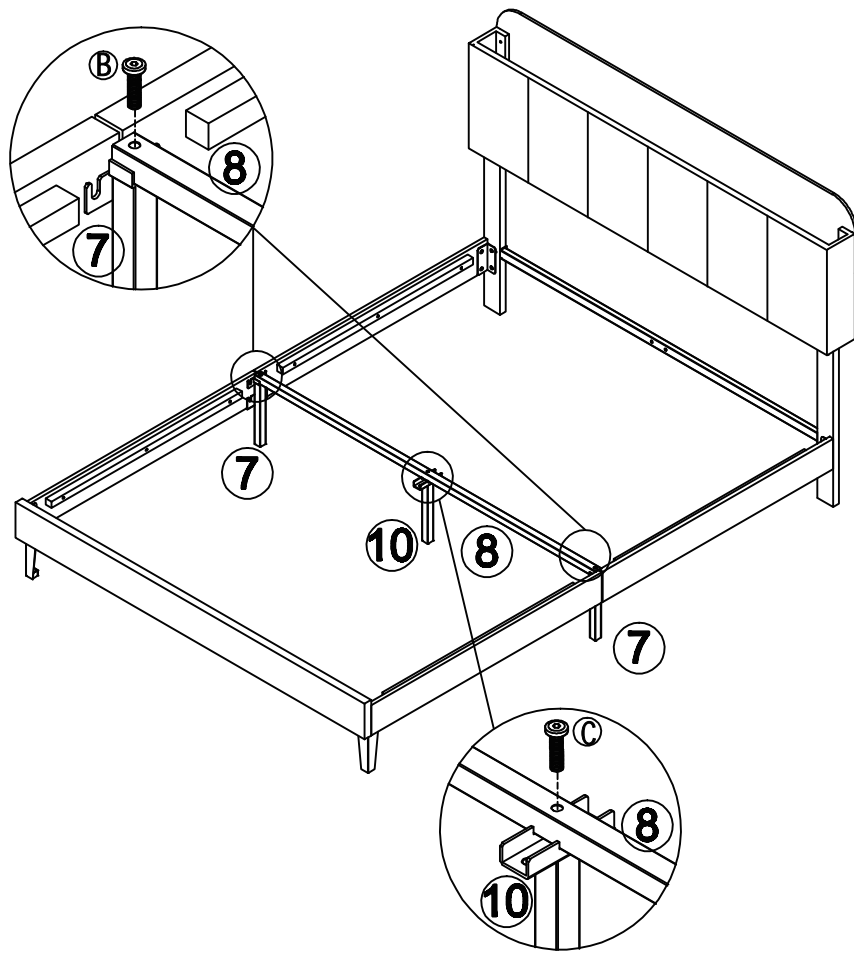




|   |   |      |
|---|---|------|
| A |  M8x20 | 4pcs |
| D |        | 1pc  |

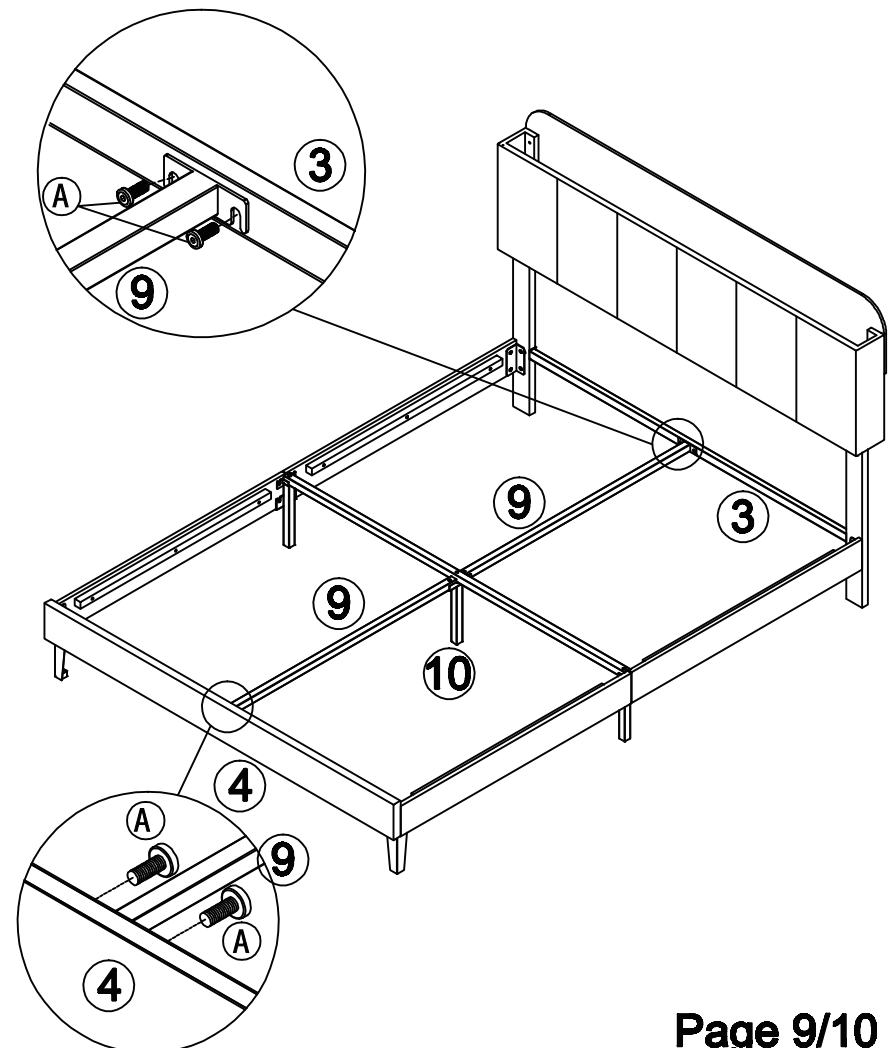


# Assembly Instruction



|   |   |       |      |
|---|---|-------|------|
| B |  | M8x35 | 2pcs |
| C |  | M8x45 | 1pc  |
| D |  |       | 1pc  |



|   |   |       |      |
|---|---|-------|------|
| A |  | M8x20 | 4pcs |
| D |  |       | 1pc  |



# Assembly Instruction

|   |   |      |
|---|---|------|
| B |  M8x35 | 4pcs |
| D |        | 1pc  |

