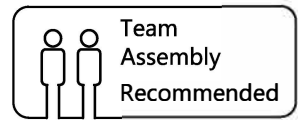
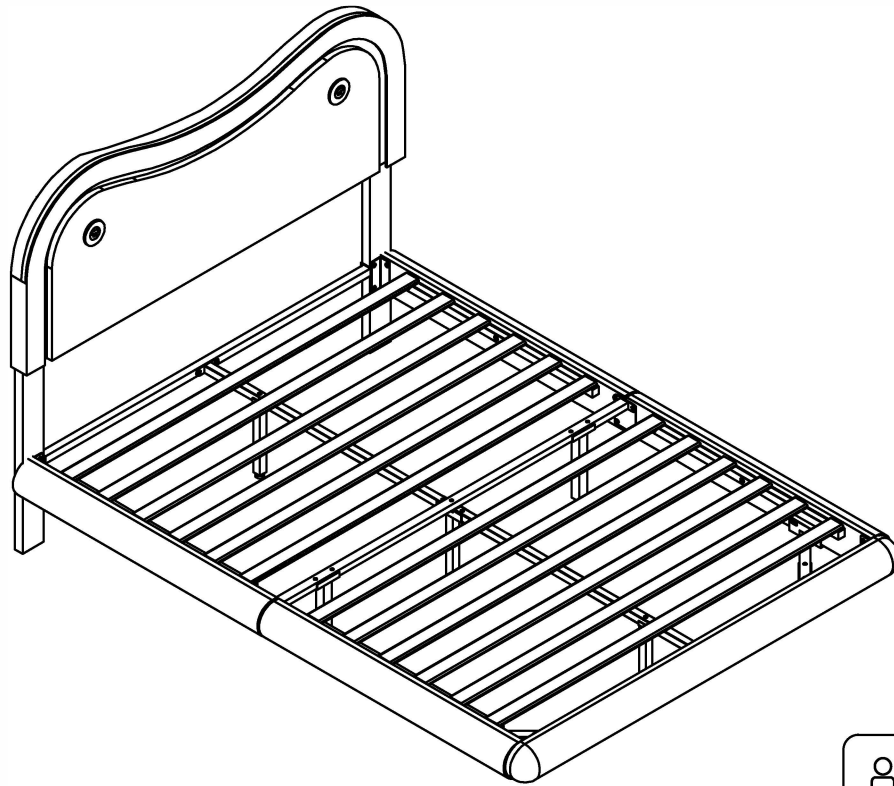


# Assembly Instruction of Bed



## Trouble shooting:

Missing/Wrong/Broken parts and installation issues



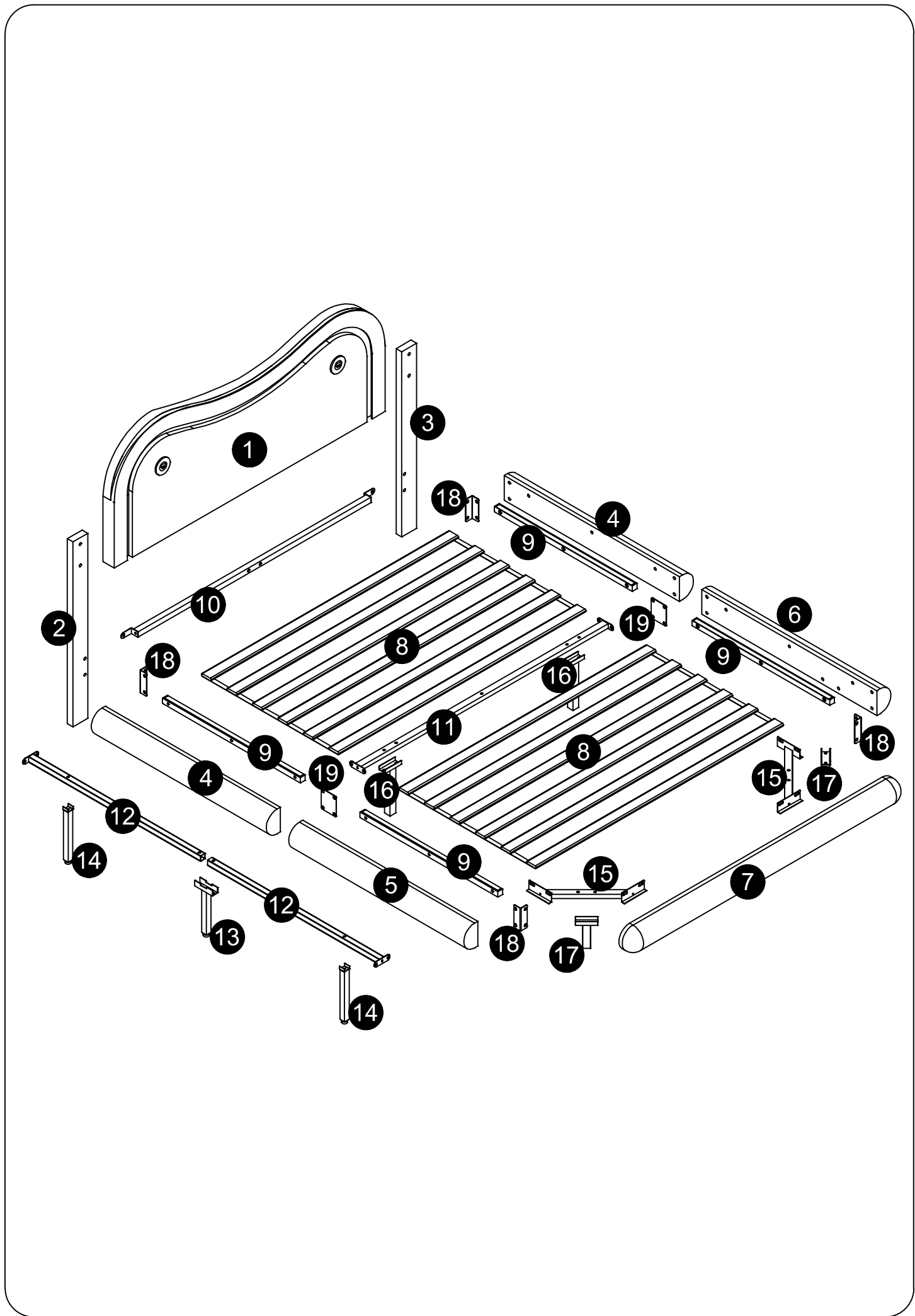
Send email with your question, pic and order NO.



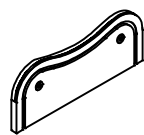
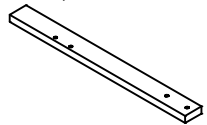
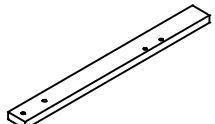
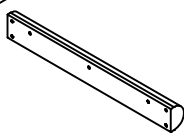
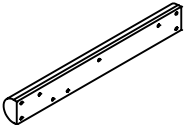
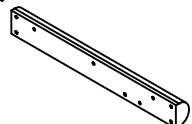
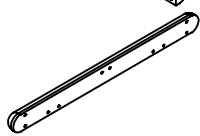
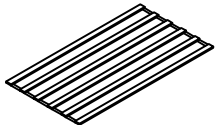

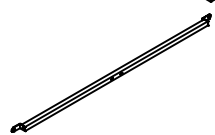

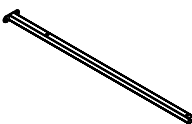
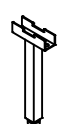
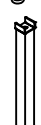
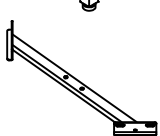
Respond within 24 hours

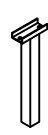

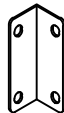
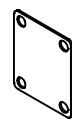
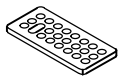


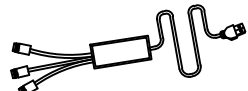


Issue resolved



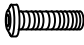




# Components

-  ..... **1** X1
-  ..... **2** X1
-  ..... **3** X1
-  ..... **4** X2
-  ..... **5** X1
-  ..... **6** X1
-  ..... **7** X1
-  ..... **8** X2
-  ..... **9** X4
-  ..... **10** X1
-  ..... **11** X1
-  ..... **12** X2
-  ..... **13** X1
-  ..... **14** X2
-  ..... **15** X2

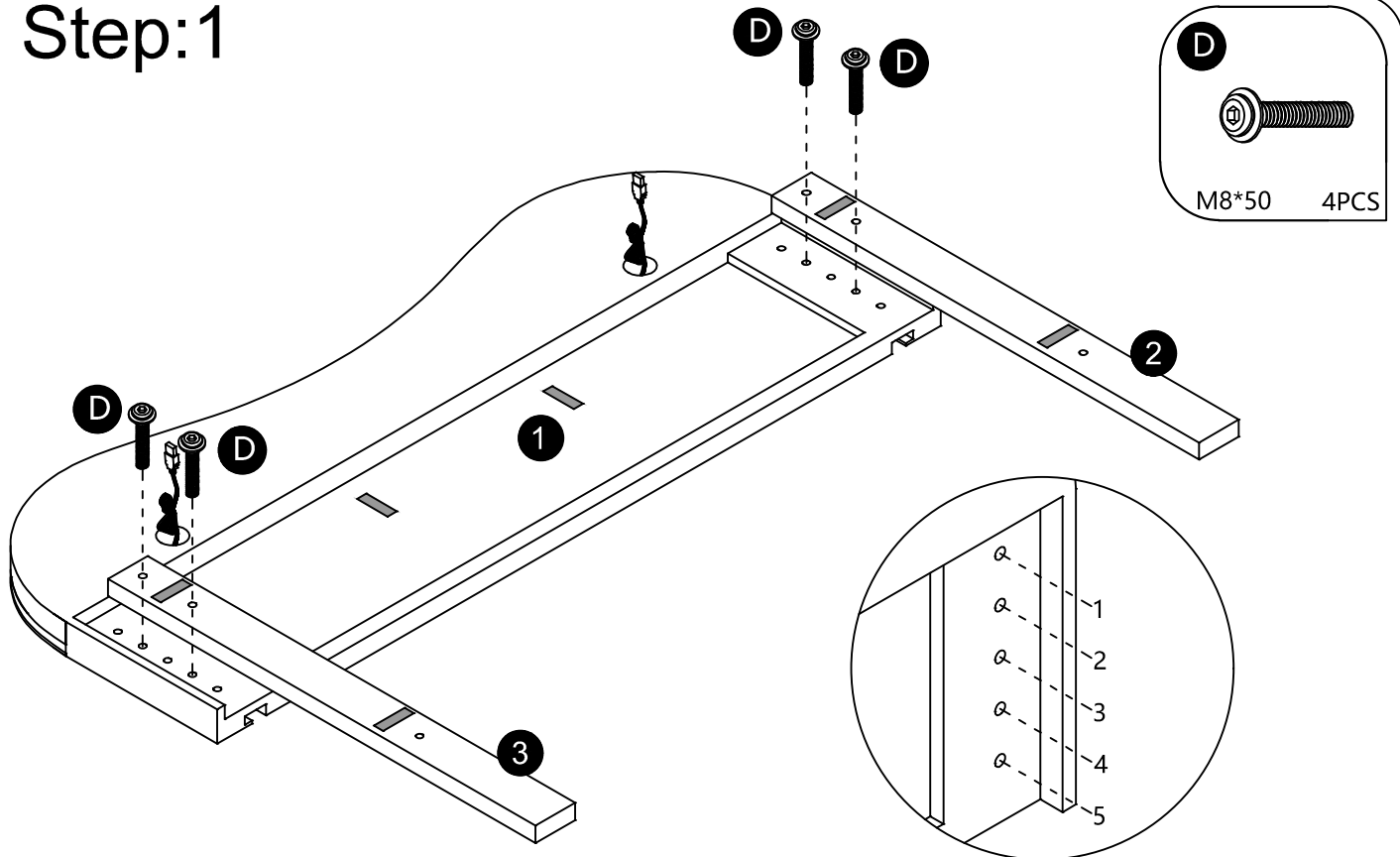
-  ..... **16** X2  
Long
-  ..... **17** X2  
Short
-  ..... **18** X4
-  ..... **19** X2
-  ..... **20** X1  
Remote control
-  ..... **21** X2  
Long light strip
-  ..... **22** X1  
Short light strip
-  ..... **23** X1  
Power cord

## Screws & Tools

<b>A</b>		M8*15	X32+2
<b>B</b>		M8*20	X6+2
<b>C</b>		M8*35	X24+2
<b>D</b>		M8*50	X5+1
<b>E</b>		M8	X1

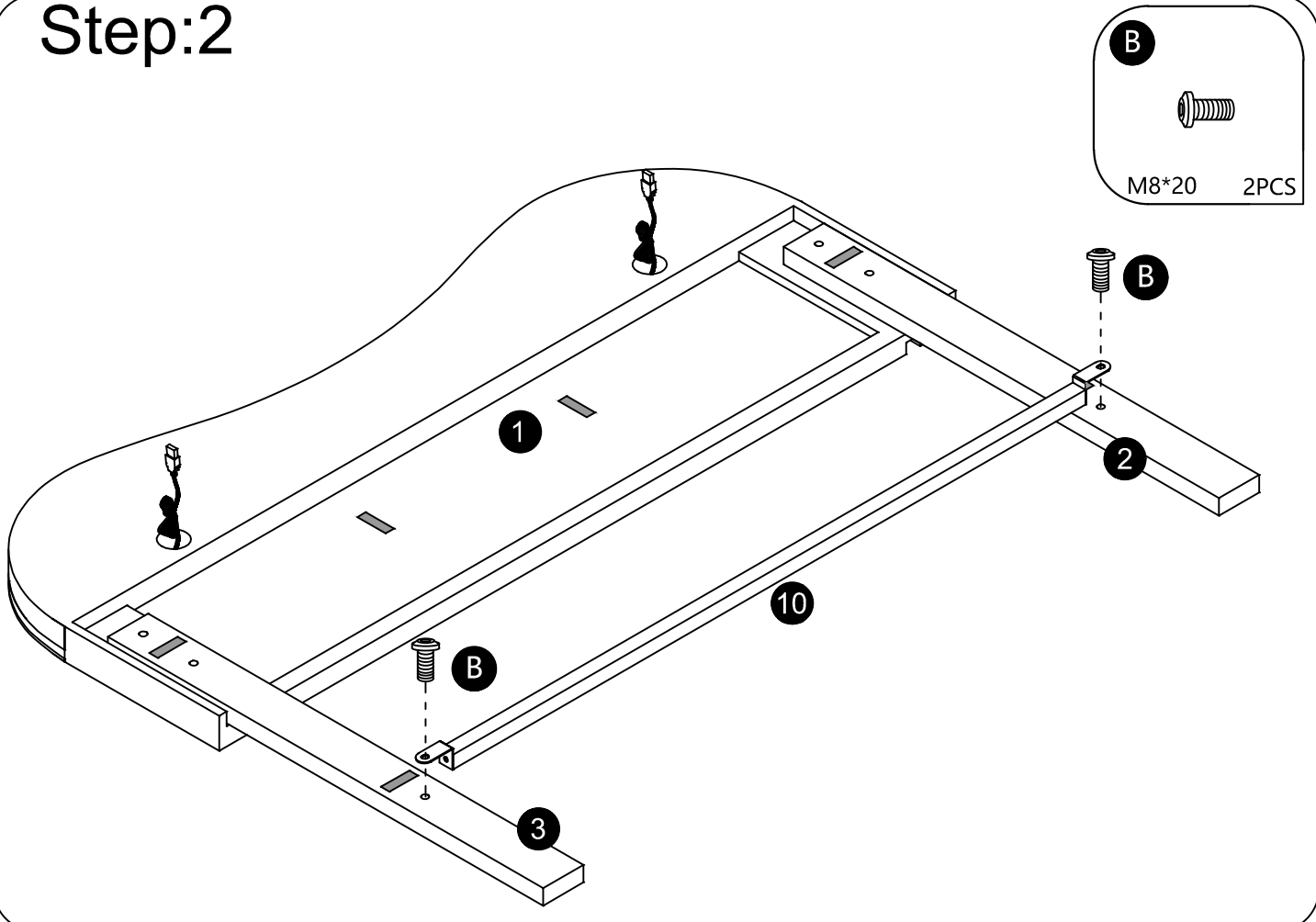
**Check all the components & screws before assembly.  
Do not install in case part is missing, contact us to get.**

# Step:1



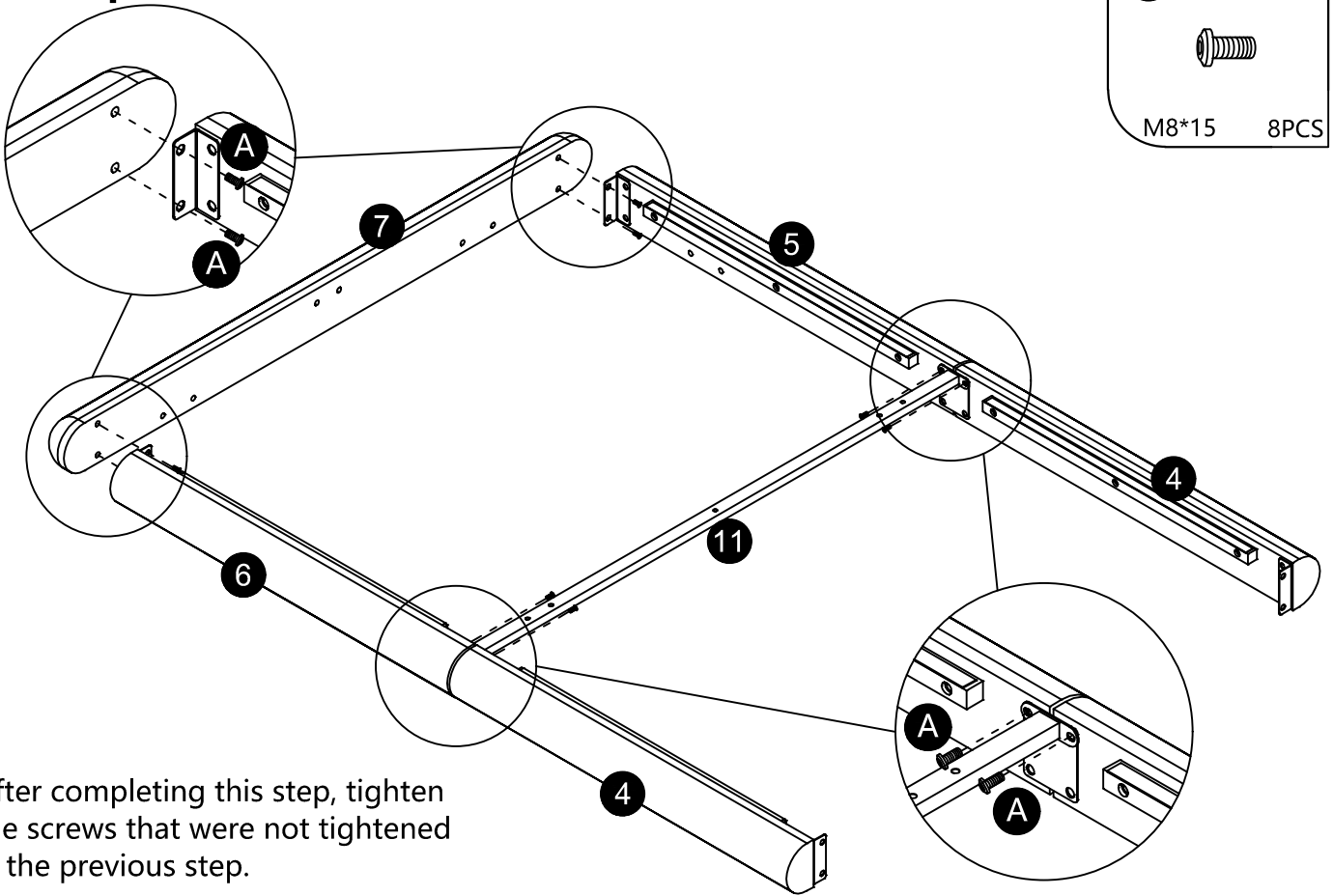
please lock position 2 and 4 for normal height  
please lock position 3 and 5 for heightening  
please lock position 1 and 3 for lowing

# Step:2



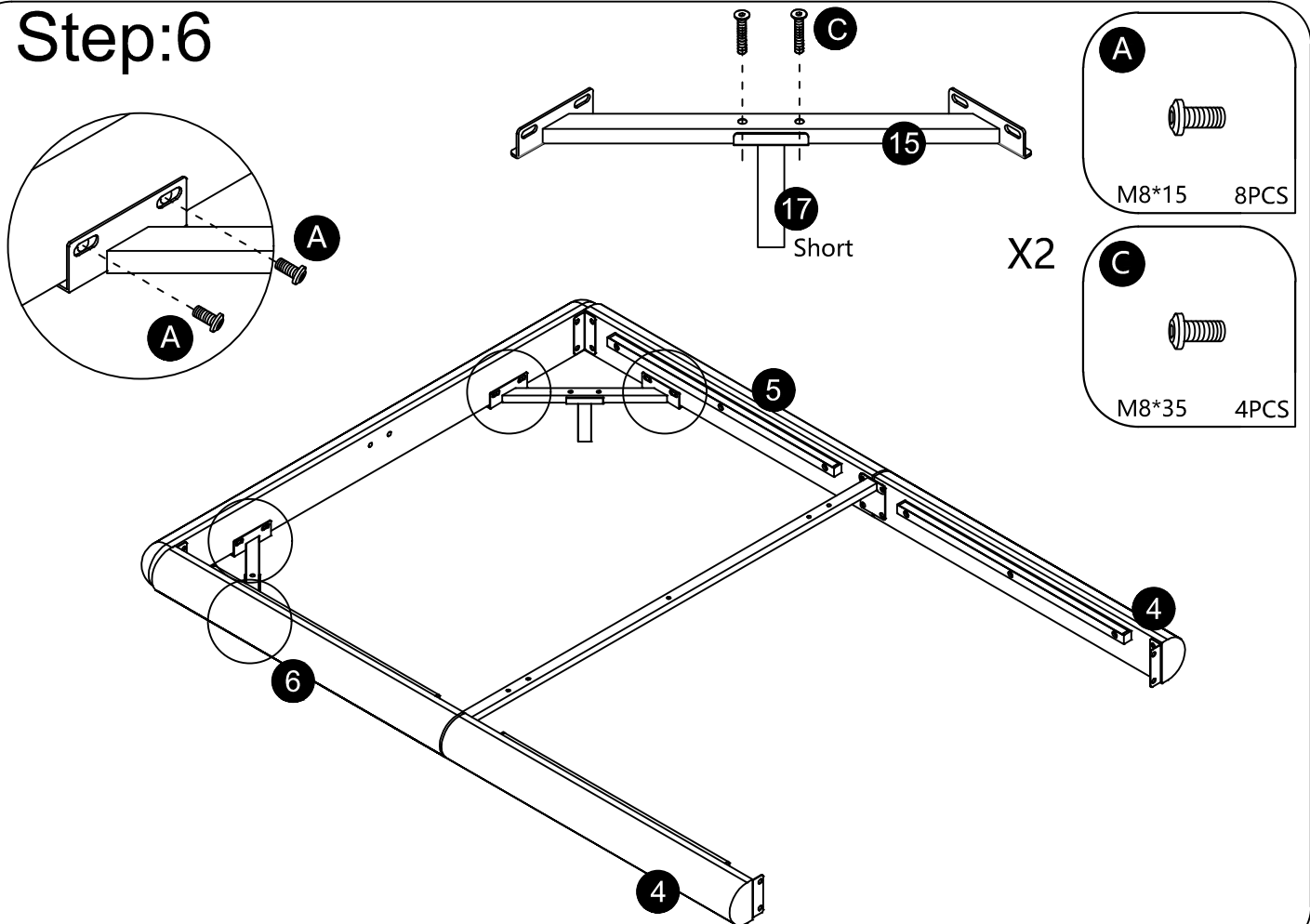


# Step:5

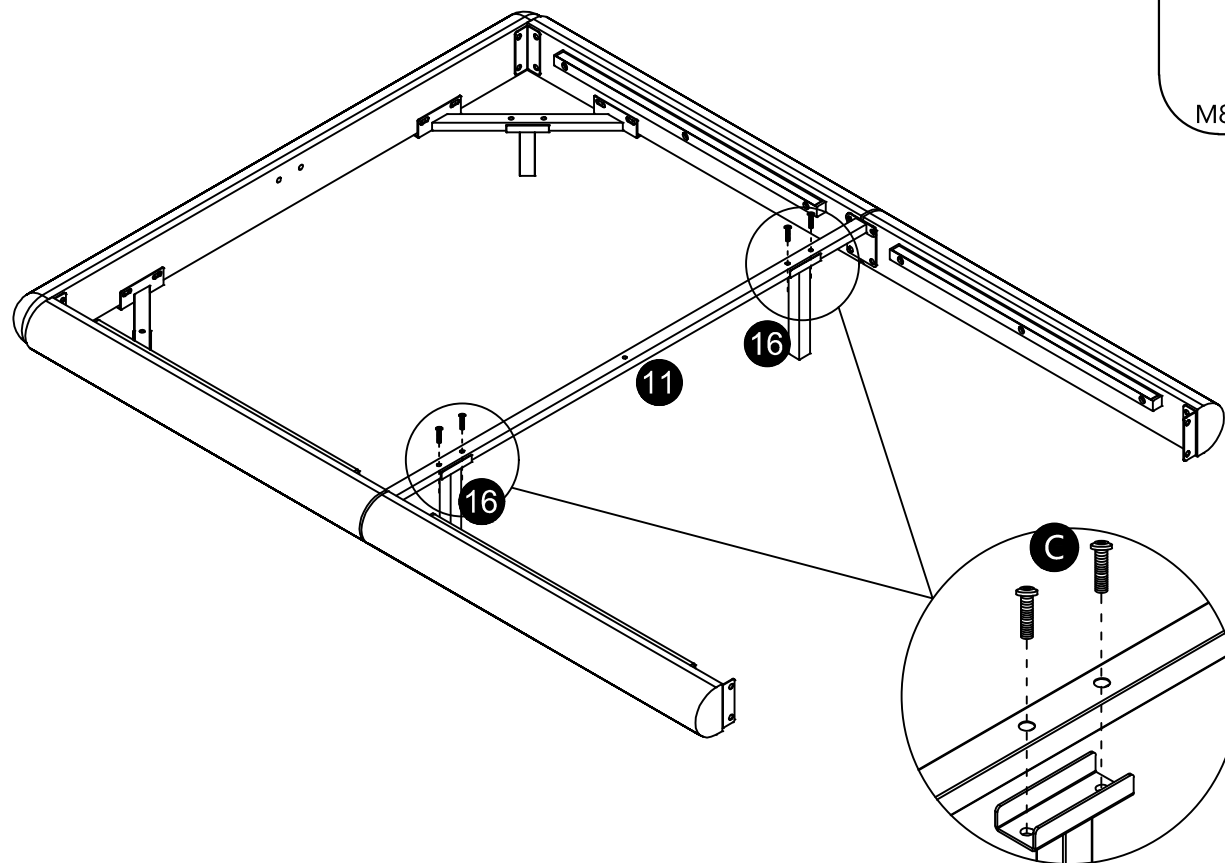


After completing this step, tighten the screws that were not tightened in the previous step.

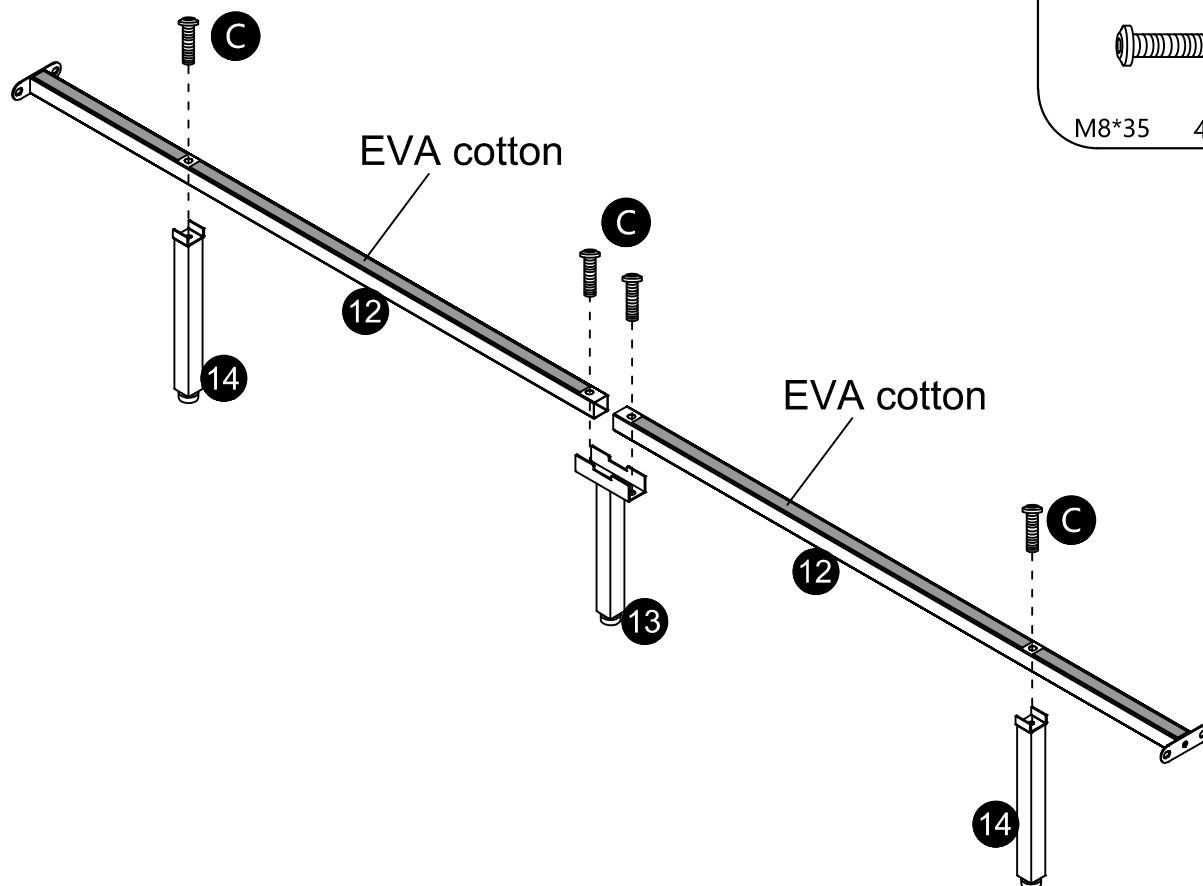
# Step:6



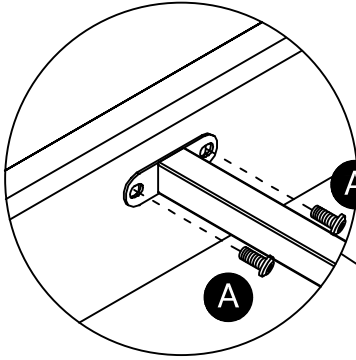
# Step:7



# Step:8



# Step:9



**A**

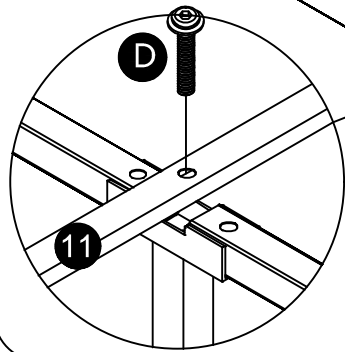


M8\*15 2PCS

**D**

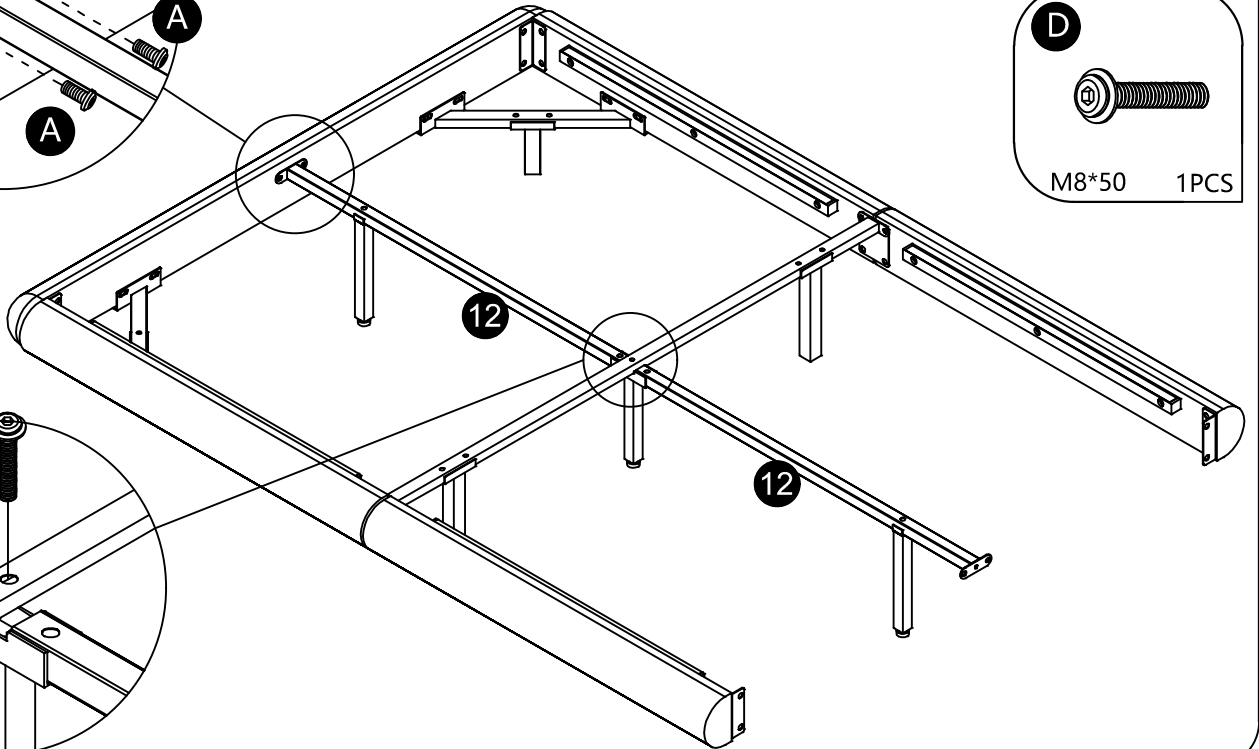


M8\*50 1PCS



**D**

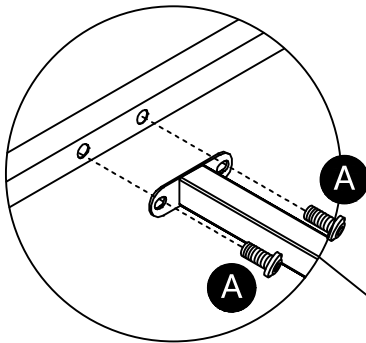
**11**



**12**

**12**

# Step:10



**A**

**A**

**A**

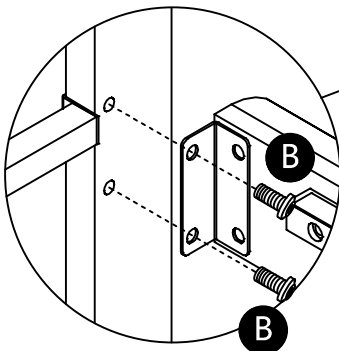


M8\*15 2PCS

**B**

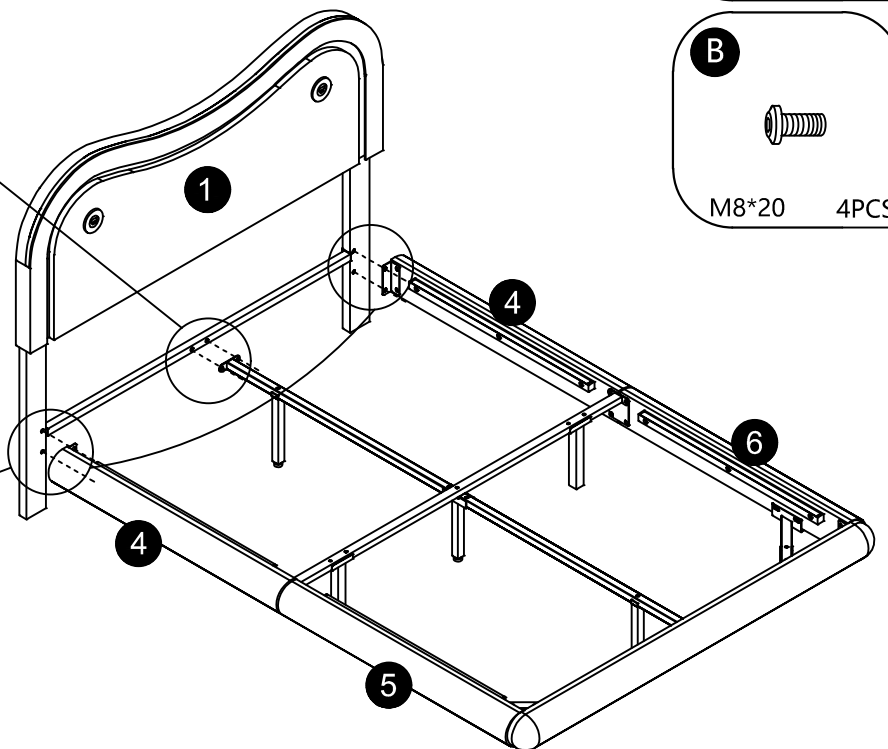


M8\*20 4PCS



**B**

**B**



**1**

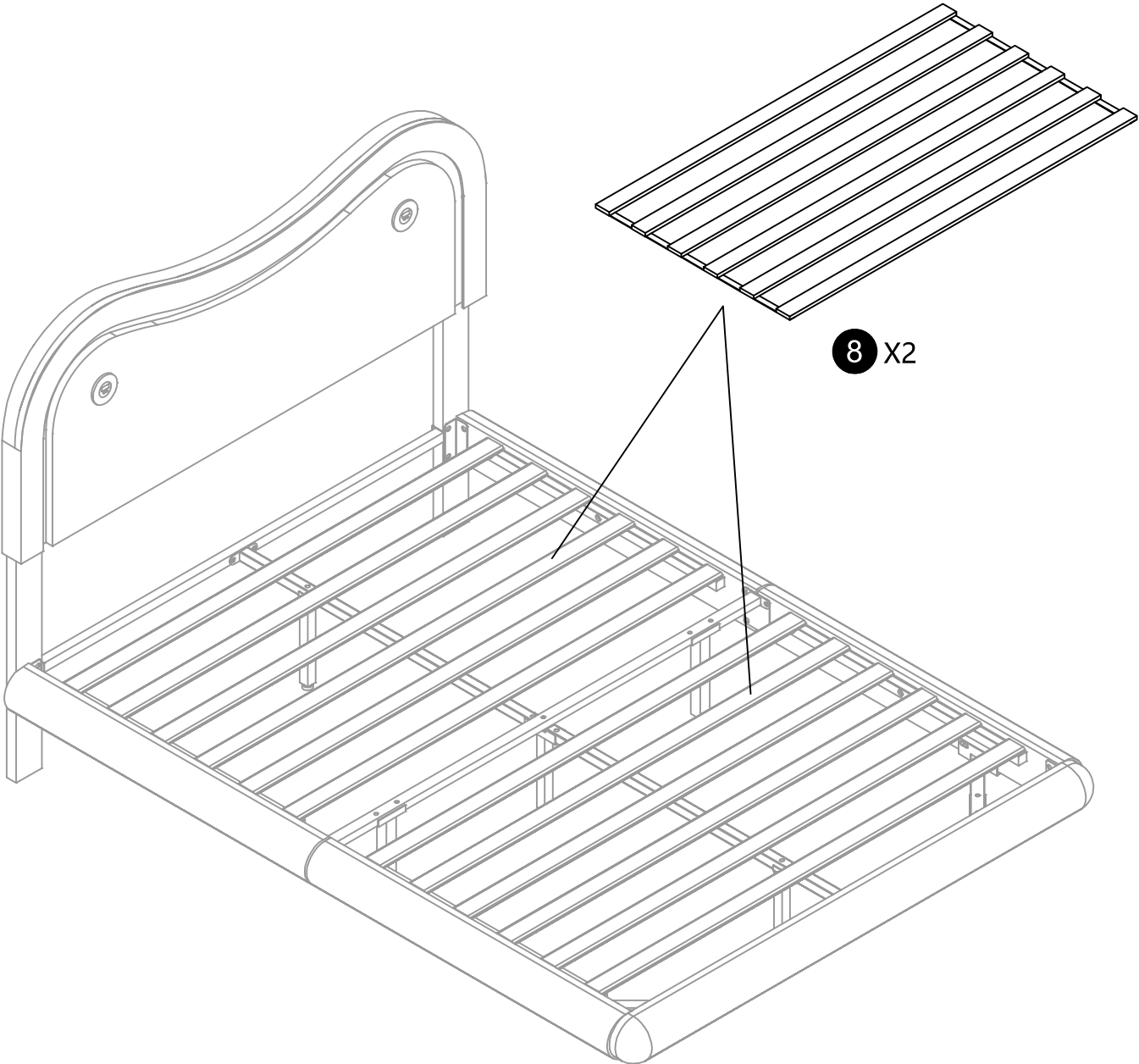
**4**

**6**

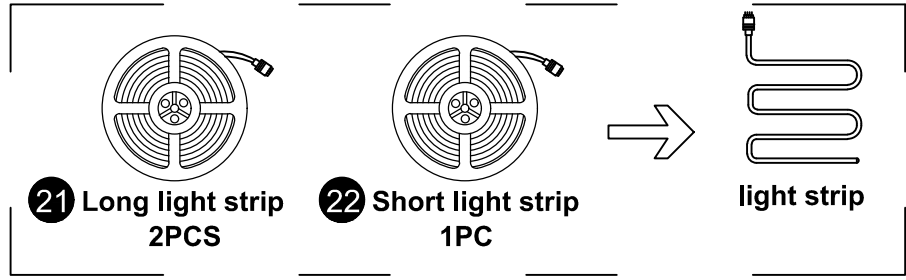
**4**

**5**

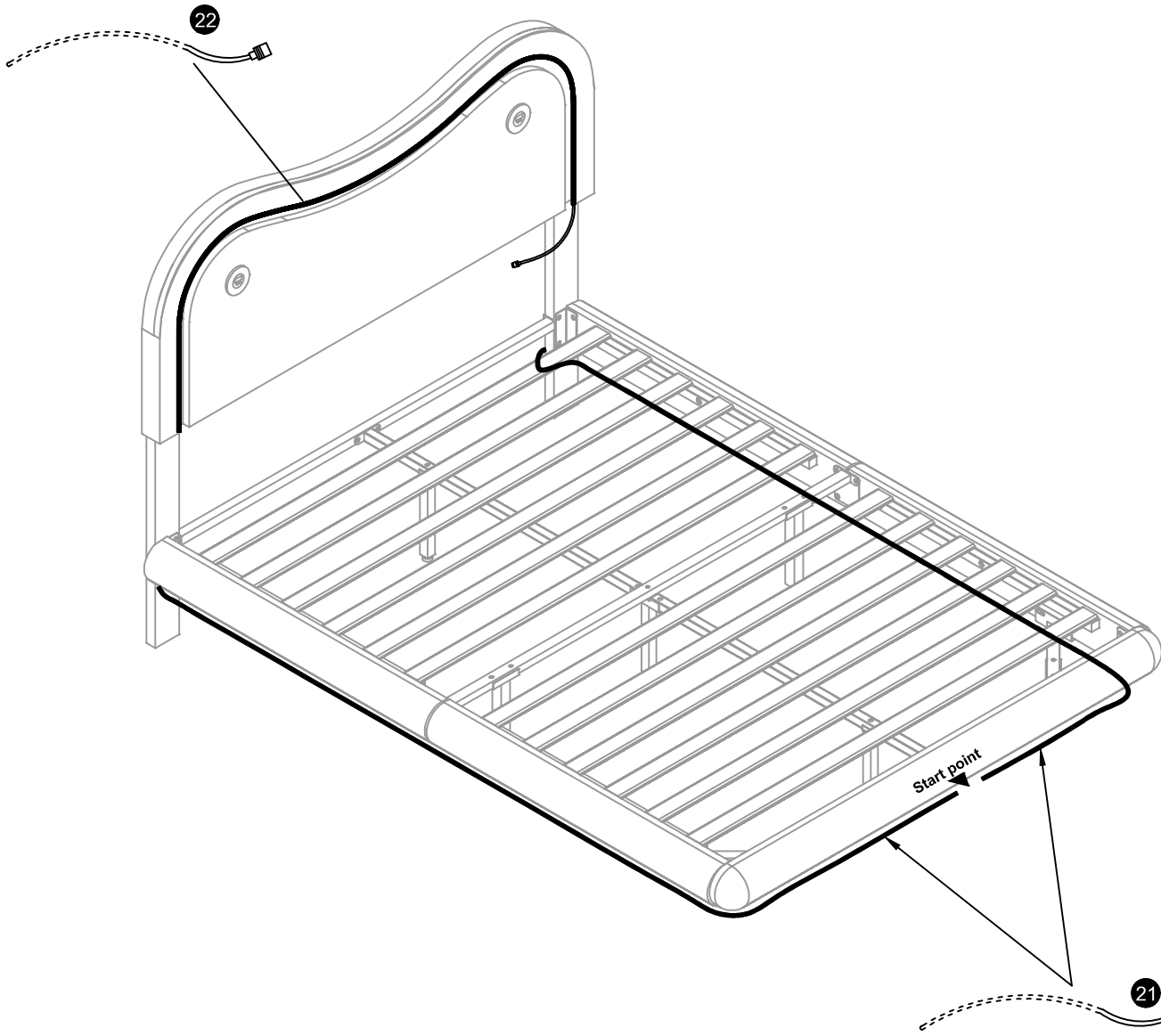
# Step:11



# Step:12

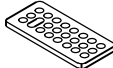


Stick the light strip on the inside of the groove.

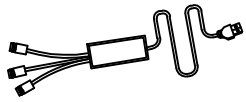


Stick the light strip onto the Velcro at the bottom of the bed's tail and side.

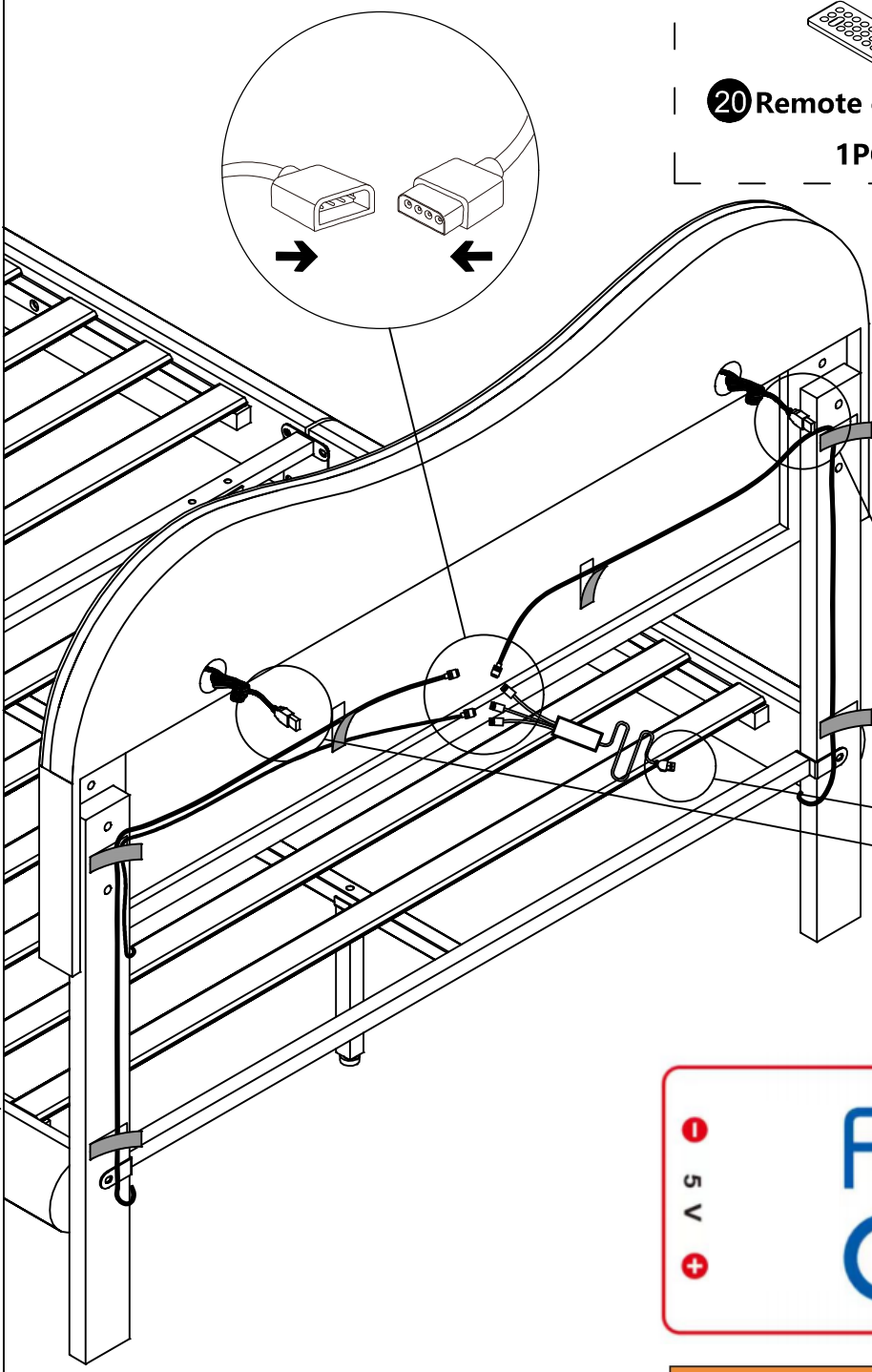
# Step:13



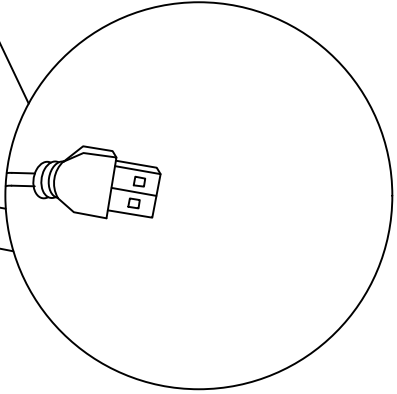
**20** Remote control  
1PC



**23** Power cord  
1PC








The USB plug needs to be connected to a power source.



1. Connect LED color strip and controller, power on controller.
2. Download APP.
3. Start APP, search and connect controller.
4. Enjoy the Bluetooth wireless control experience.

5V
LED CONTROLLER  
FCC ID:2A595YH-6181  
CE: YH-358 UKCA:YH-284  
ISED ID:31917-YH6181  
Output≤144W
BRG

## ⚠ WARNING

- **INGESTION HAZARD:** This product contains a button cell or coin battery.
- **DEATH** or serious injury can occur if ingested.
- A swallowed button cell or coin battery can cause **Internal Chemical Burns** in as little as **2 hours**.
- **KEEP** new and used batteries **OUT OF REACH of CHILDREN**
- **Seek immediate medical attention** if a battery is suspected to be swallowed or inserted inside any part of the body.



2.4G Remote Controller  
CE Model: YH-629 FCC ID: 2A595-YH629  
Company Name:  
Dongguan Yihong Hardware Electronics Co., Ltd  
Model Name: YH-629






## IMPORTANT SAFETY INFORMATION

Please carefully read the instructions and caution warnings below before assembling the product. Following this guide will ensure that you install, use and maintain the product properly.

- Please keep this installation and user manual/instructions for future reference in case you need to assemble the product.
- Do not assemble if you notice serious damage such as cracks or bends.
- During installation, please use work gloves for hand safety.
- Please assemble the unit on carpeted floor or the flat cardboard box to avoid scratching the surface or your floor while assembling on the floor.
- To assemble, please use the complimentary installation tools (Allen Wrench). Pay more attention to the direction of components at each steps.
- It is recommended that two people work together to assemble the product.
- Please do not tighten the screws up too much, just to 80% before you finish to make the installation go on successfully.

## RETURN POLICY

We believe you will absolutely love your new product. But for some reason you want to return your item, please contact us within 30 days after receiving and ensure that the product which you want to return is in a good condition in the original box with all original certificates of purchase, manuals and accessories attached.

## HOW TO MAINTAIN YOUR PRODUCT:

- Check the screws of the product are not loose from regular use.
- Do not use sharp instruments, rubbing alcohol, corrosive chemicals, or abrasive cleaners to clean the product.
- Do not keep the product in a damp environment for a long period of time. The damp environment may cause the iron components to rust and the plates to bulge and crack.