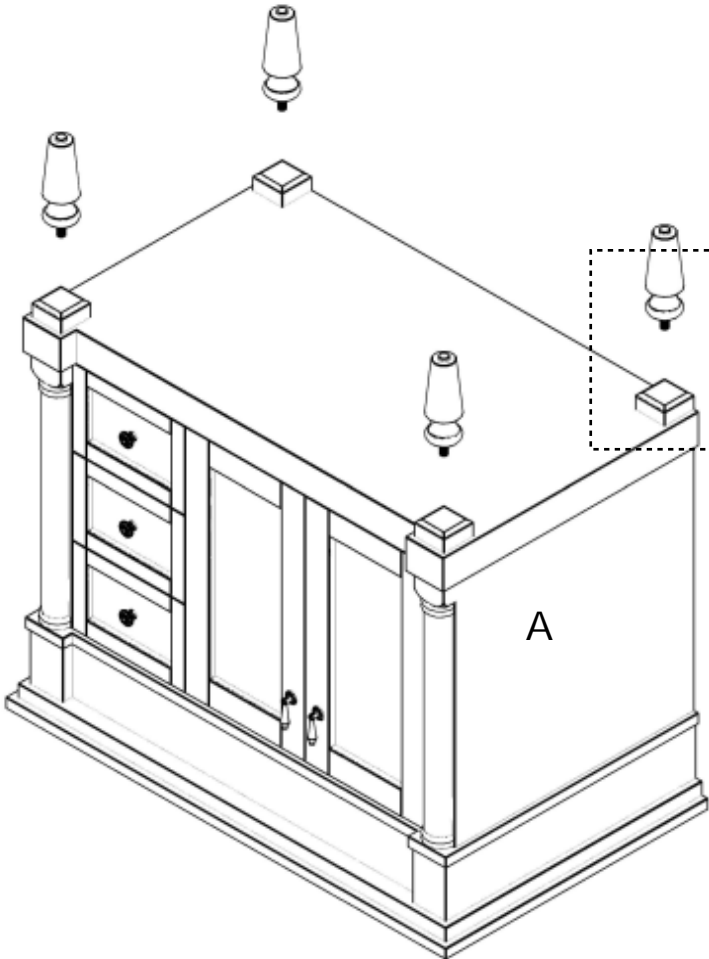
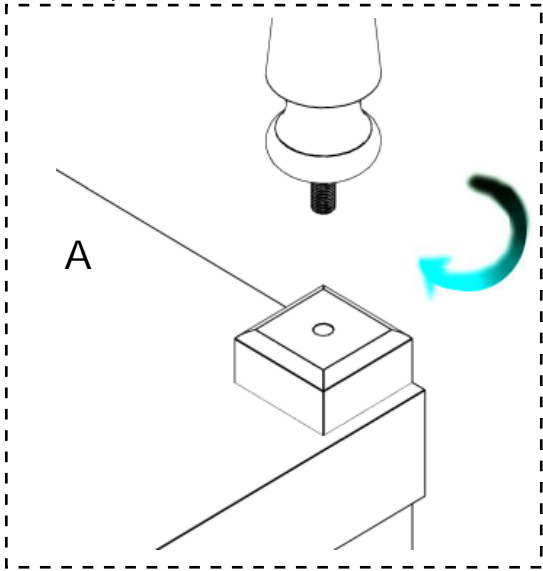


# Assembly Instructions



A



A