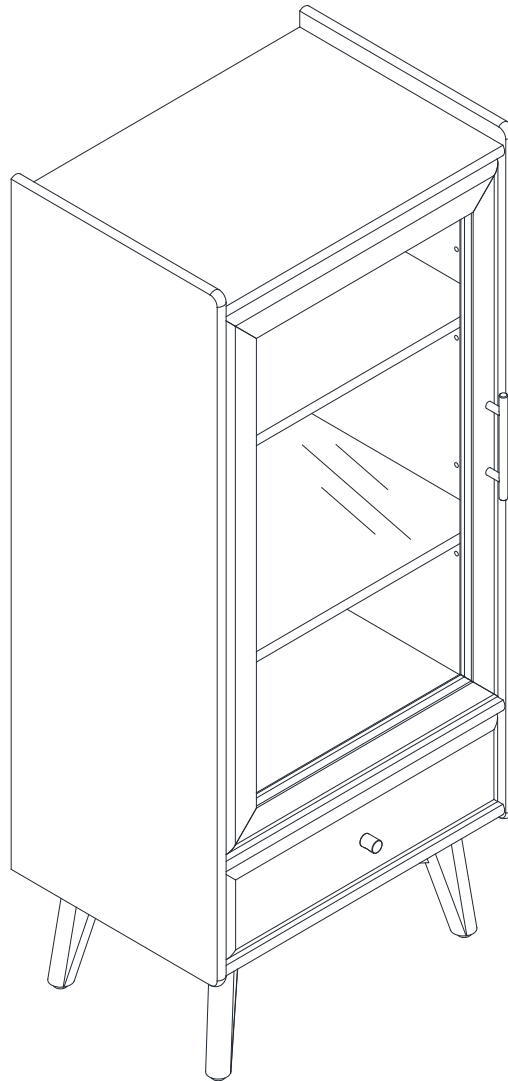


# Assembly | Asambla | Assemblage

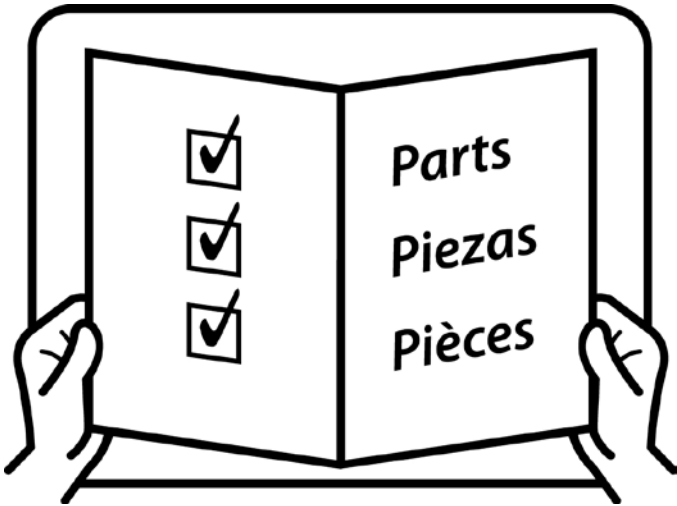
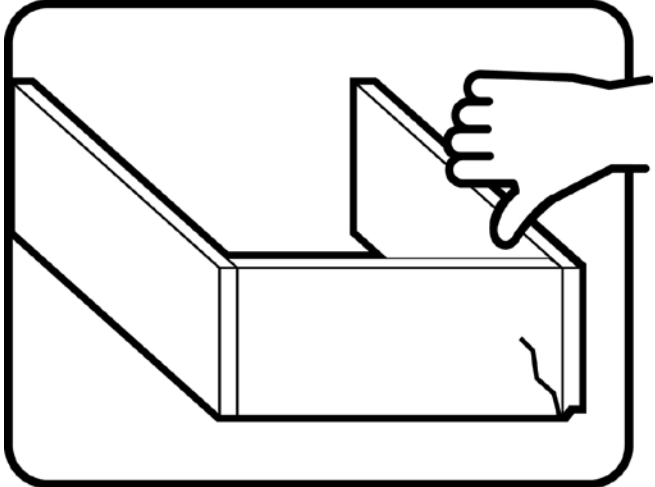
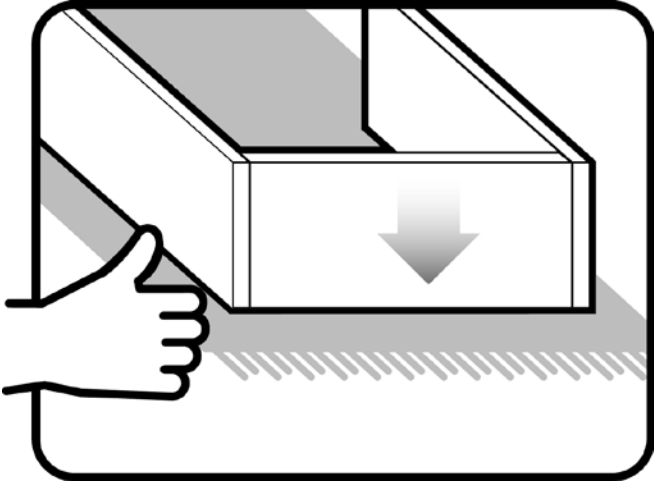
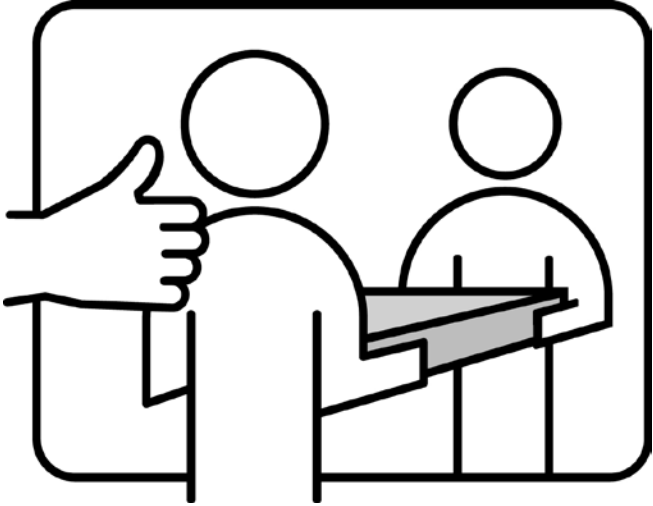
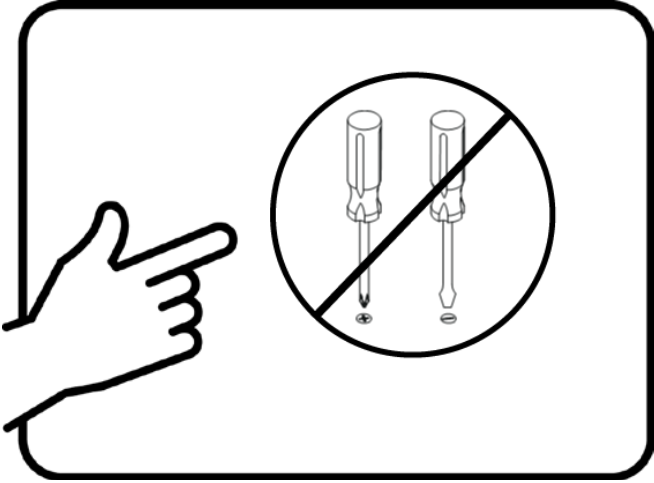
PO



Product number | Número de producto | Numéro de produit

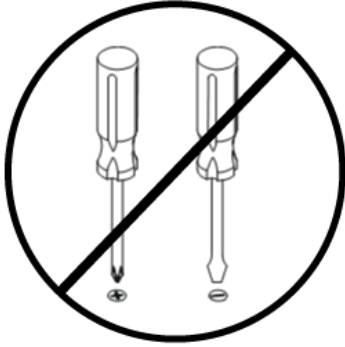
Thank you for your purchase! | ¡Gracias por tu compra! | Merci pour votre achat!

# Assembly | Asamblea | Assemblage



# Assembly | Asamblea | Assemblage

Techniques | Técnicas | Techniques



Care | Cuidado | Entretien



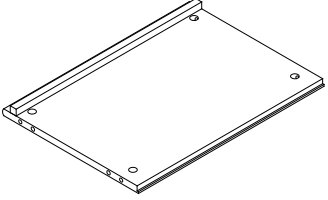
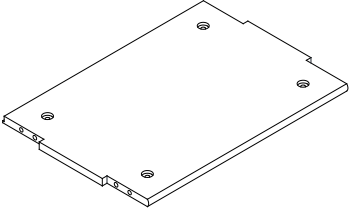
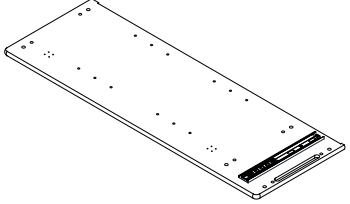
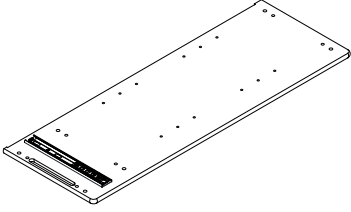
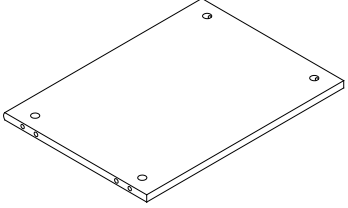
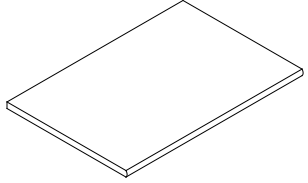
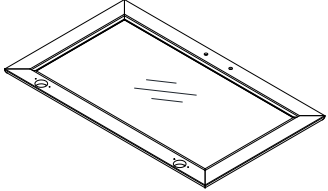
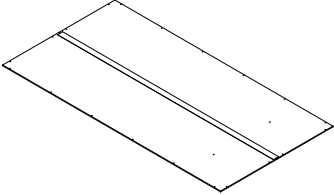
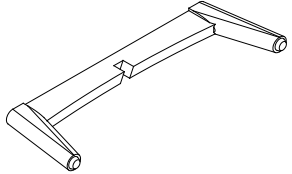
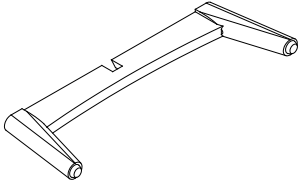
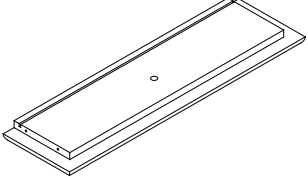
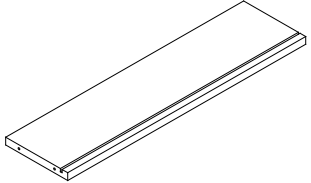
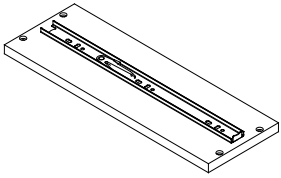
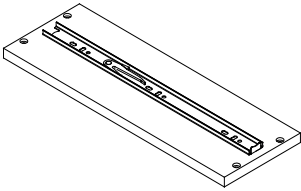
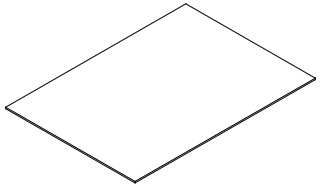
Safety | Seguridad | Sécurité



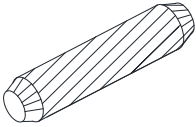
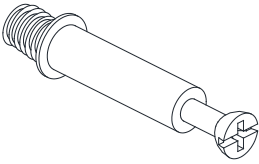
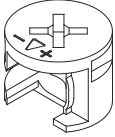
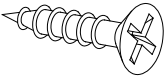
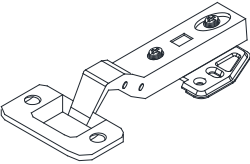
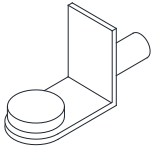
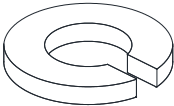
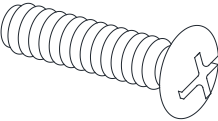
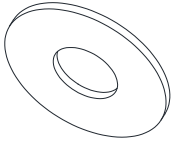
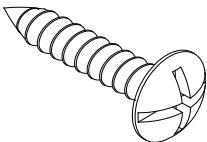
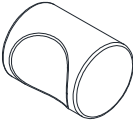
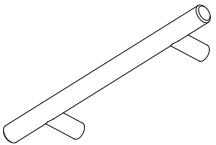
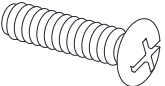
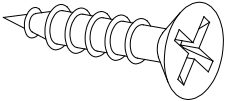
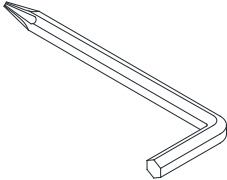
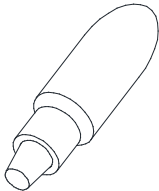
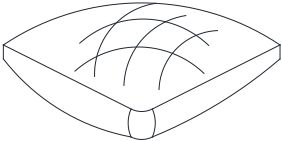
Note! | ¡Nota! | Remarque!



# Assembly | Asambla | Assemblage

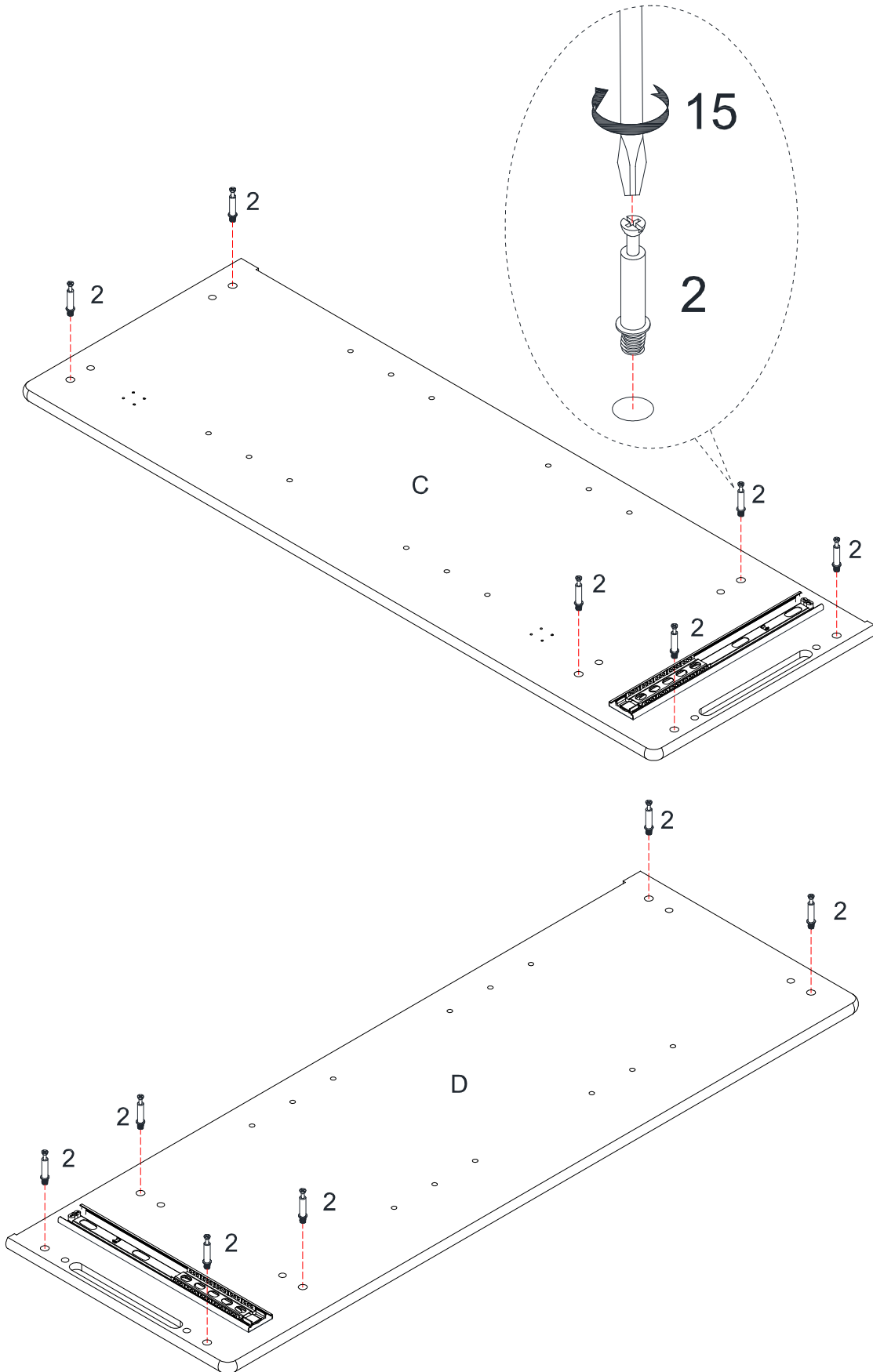
<p>A x1</p>  <p>Top Panel</p>	<p>B x1</p>  <p>Bottom Panel</p>	<p>C x1</p>  <p>Left Side Panel</p>
<p>D x1</p>  <p>Right Side Panel</p>	<p>E x1</p>  <p>Fixed Shelf</p>	<p>F x2</p>  <p>Adjustable Shelf</p>
<p>G x1</p>  <p>Door</p>	<p>H x1</p>  <p>Back Panel</p>	<p>I x1</p>  <p>Front Leg</p>
<p>J x1</p>  <p>Black Leg</p>	<p>K x1</p>  <p>Drawer Front Panel</p>	<p>L x1</p>  <p>Drawer Back Panel</p>
<p>M x1</p>  <p>Drawer Left Panel</p>	<p>N x1</p>  <p>Drawer Right Panel</p>	<p>O x1</p>  <p>Drawer Bottom Panel</p>

# Assembly | Asamblea | Assemblage

1	x12	2	x12	3	x12
					
Wood Dowel		Cam Bolt		Cam Lock	
4	x12	5	x2	6	x8
					
Screw $\phi 3 * 12 \text{mm}$		Hinge		Shelf Holder	
7	x4	8	x4	9	x4
					
Spring Washer		Bolt $1/4" * 1"$		Flat Washer $\phi 1/4" * 16$	
10	x21	11	x1	12	X1
					
Screw $\phi 3 * 12 \text{mm}$		Handle		Handle	
13	X3	14	X8	15	X1
					
Bolt $5/32" * 1"$		Screw $\phi 4 * 25 \text{mm}$		Allen Wrench	
16	X1	17	X1		
					
Glue		Safety Strap Kit			

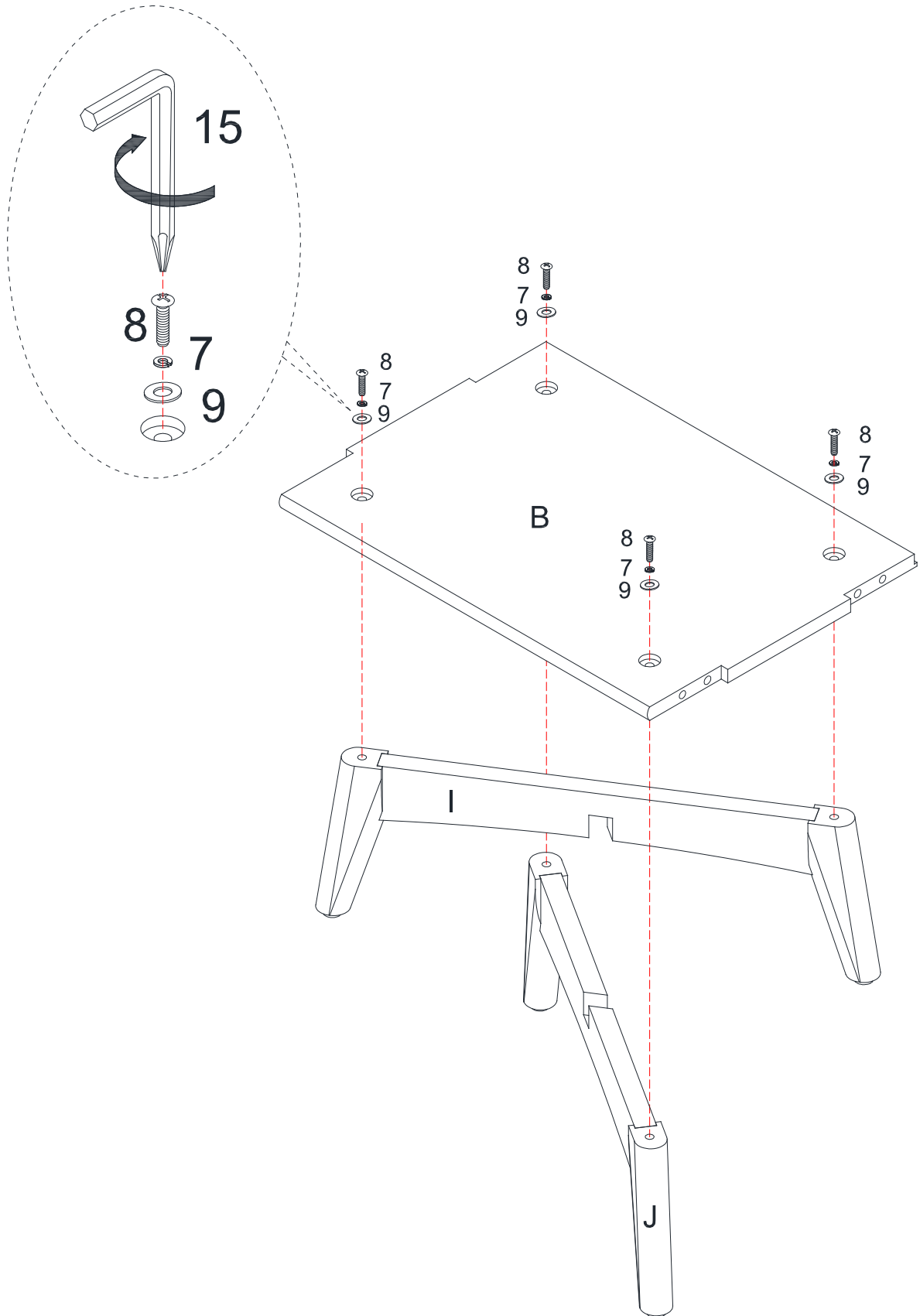
# Assembly | Asambla | Assemblage

1



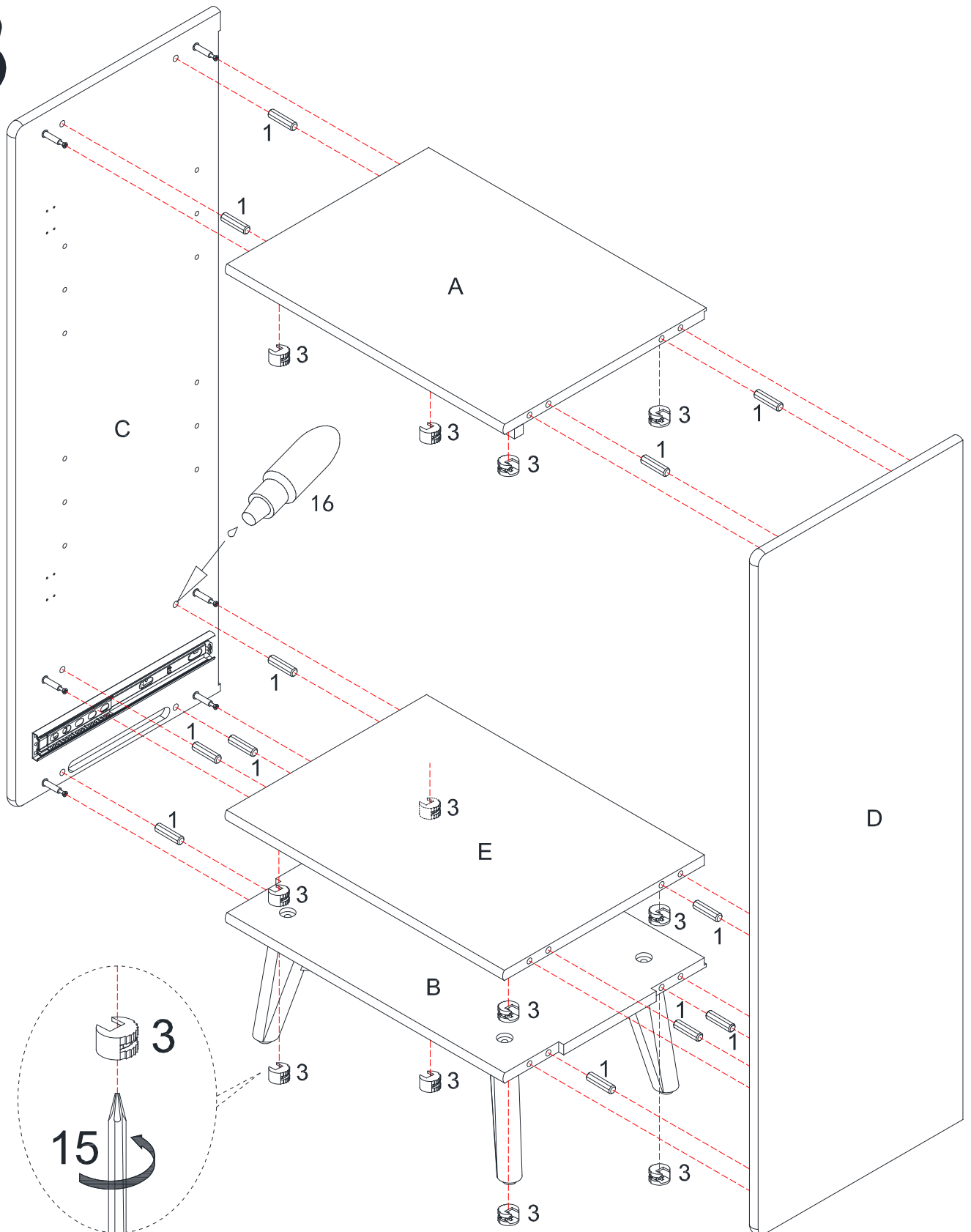
# Assembly | Asambla | Assemblage

## 2



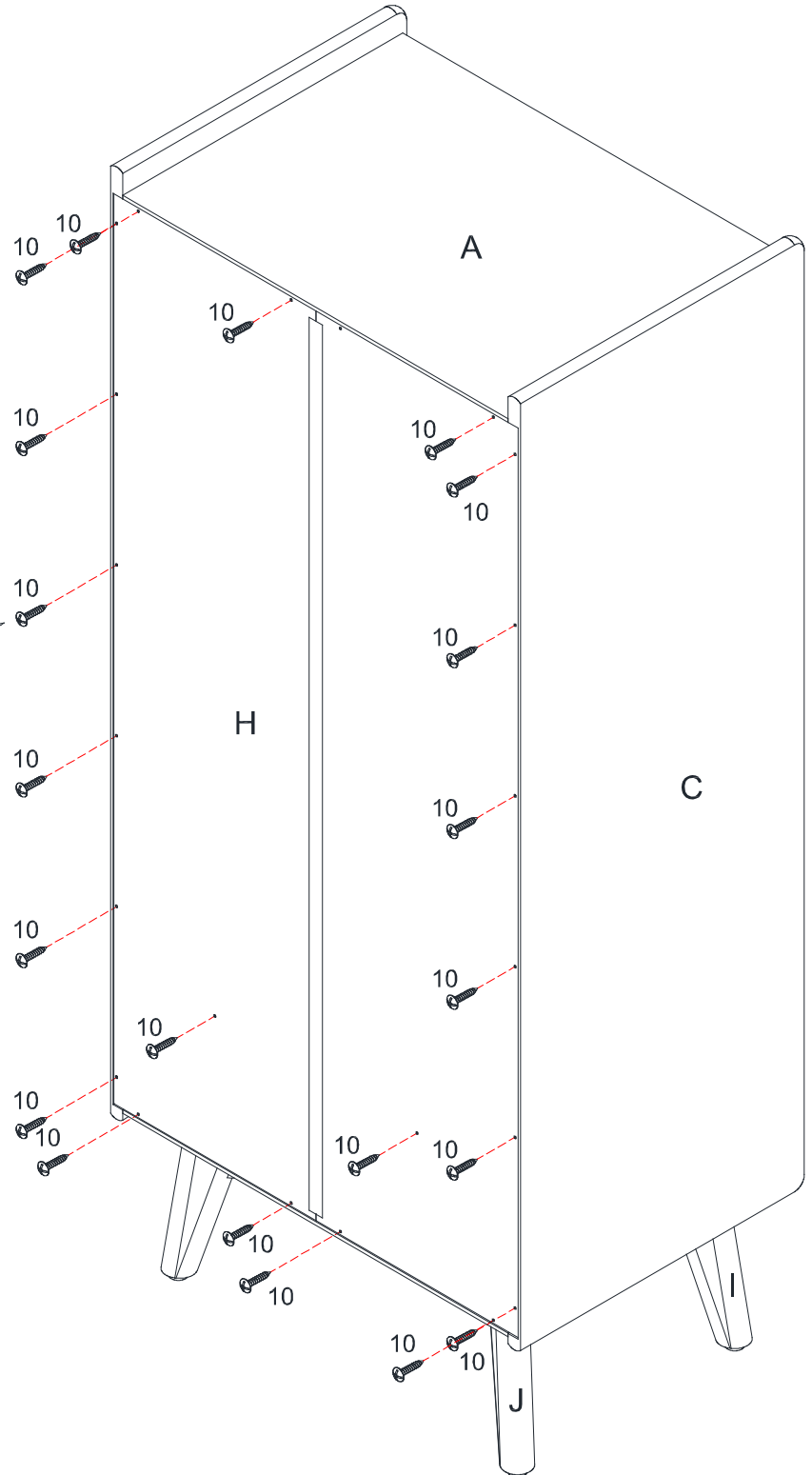
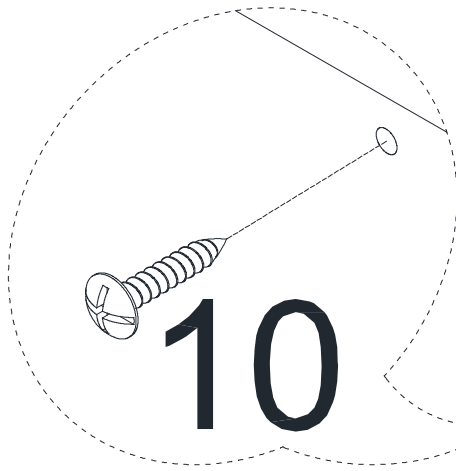
# Assembly | Asambla | Assemblage

## 3



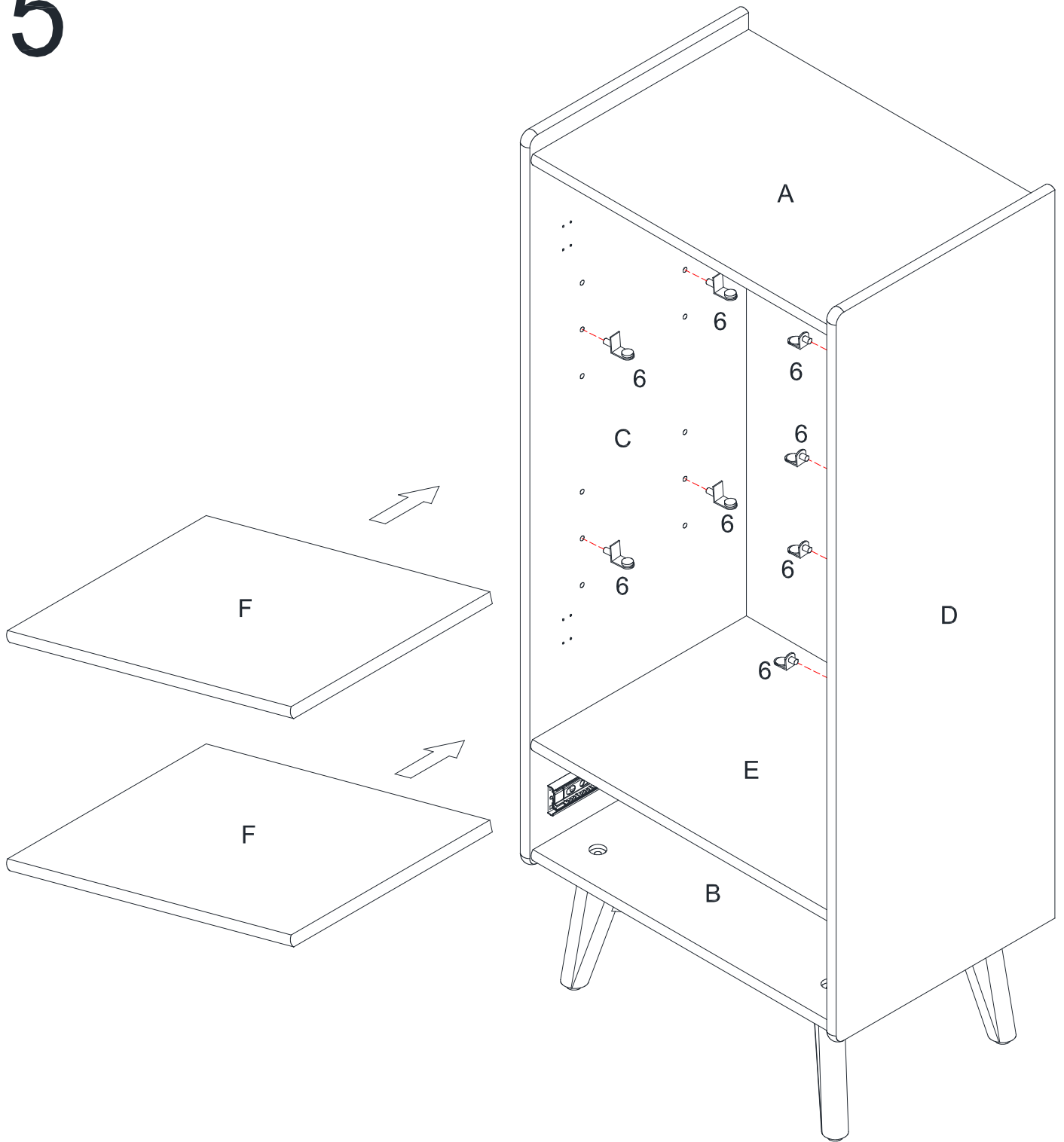
# Assembly | Asambla | Assemblage

# 4



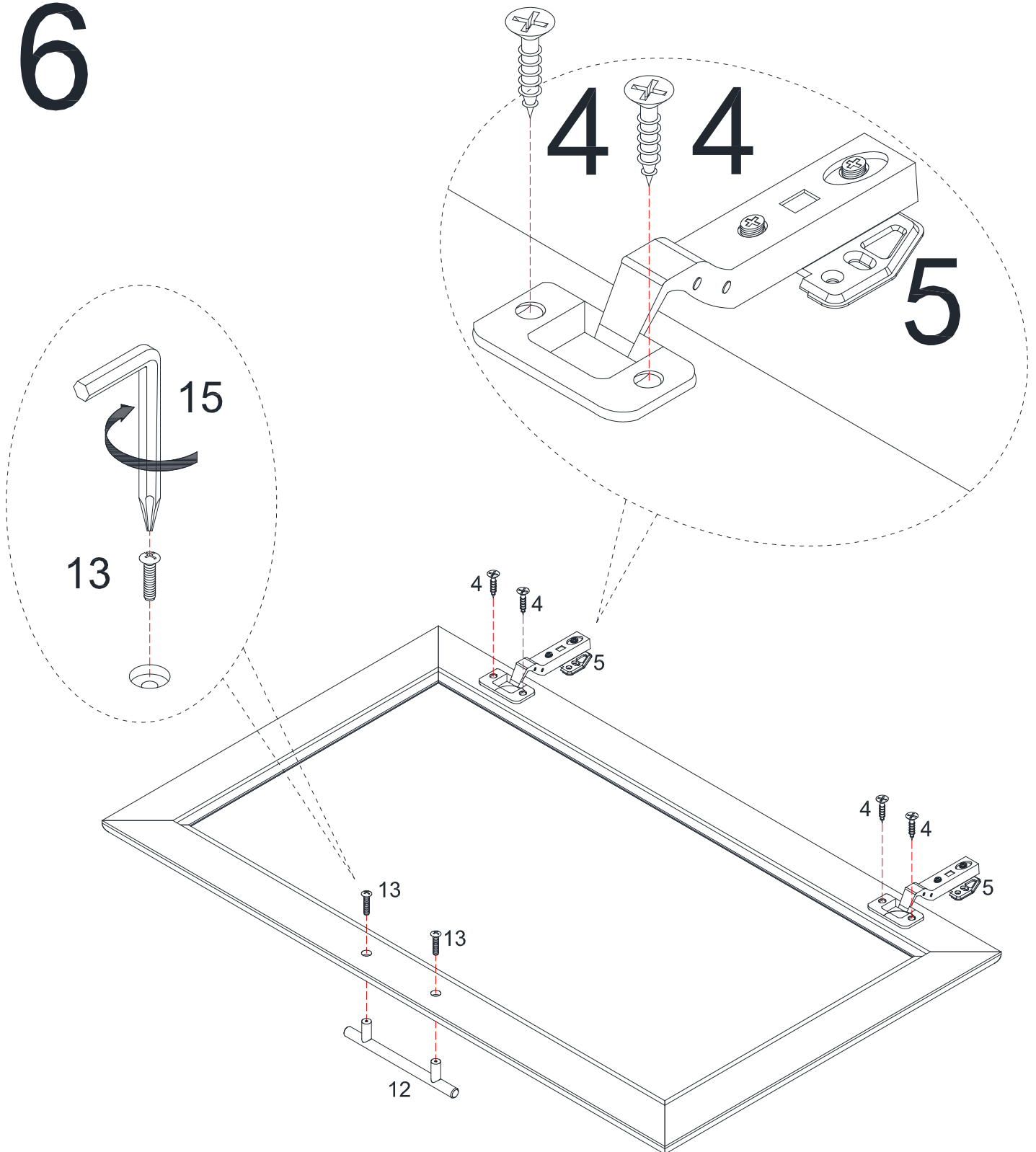
# Assembly | Asambla | Assemblage

# 5



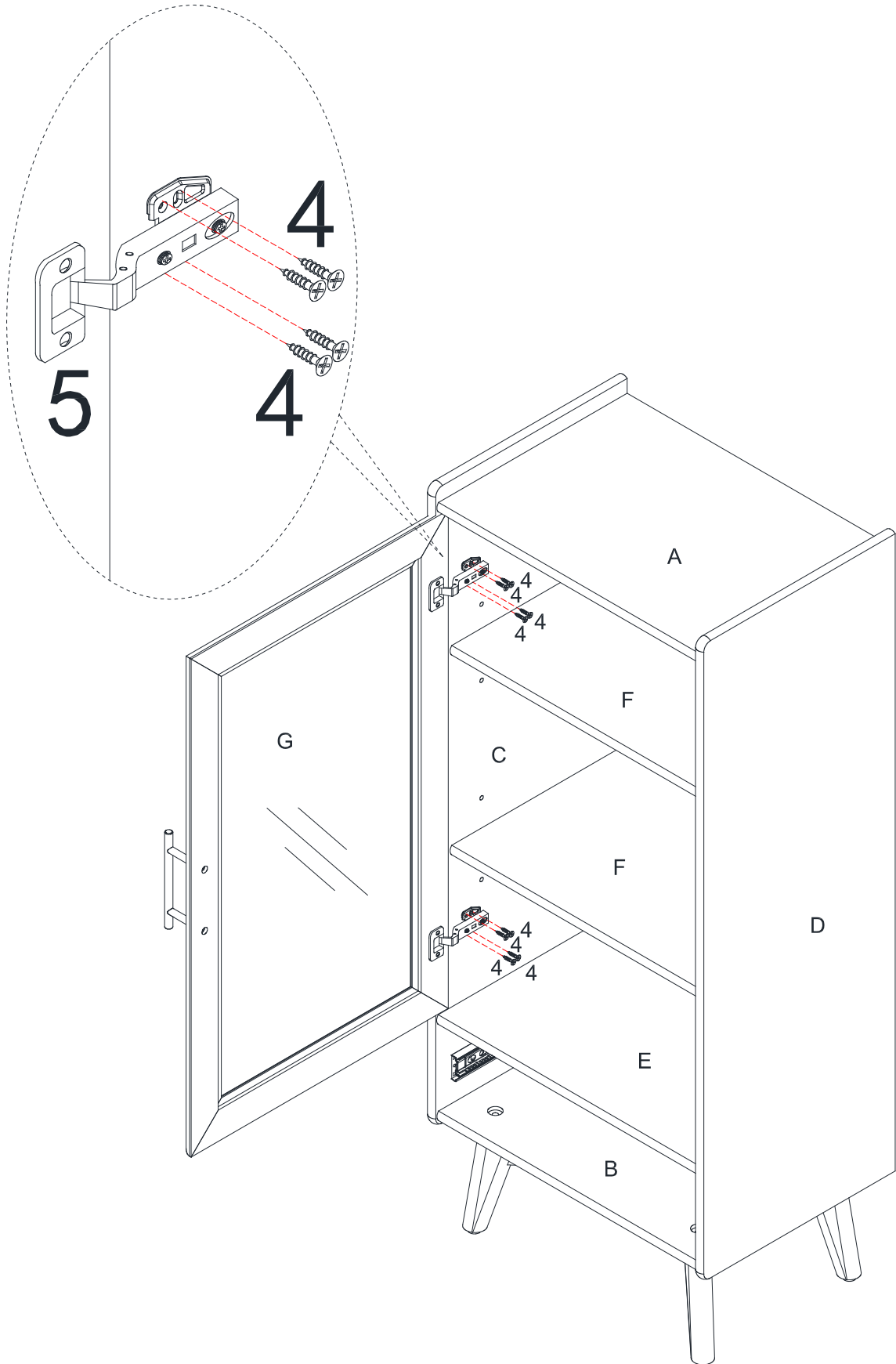
# Assembly | Asambla | Assemblage

# 6



# Assembly | Asambla | Assemblage

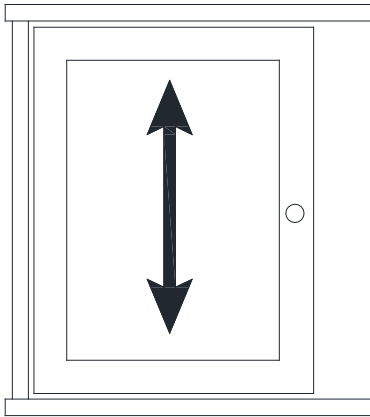
7



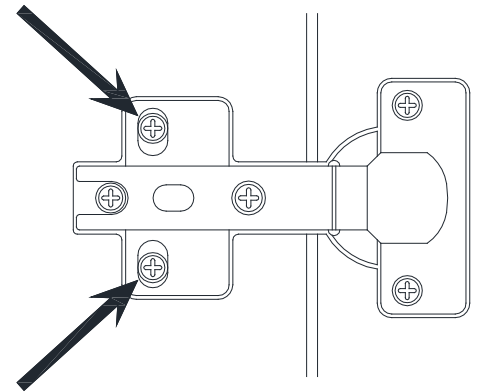
# Assembly | Asambla | Assemblage

## 8

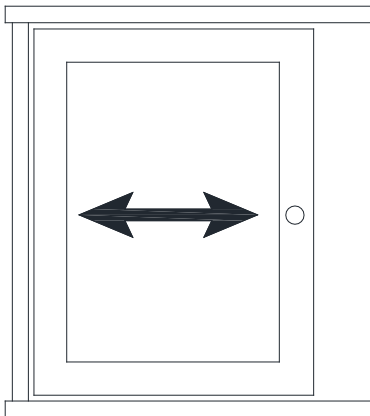
FRONT VIEW



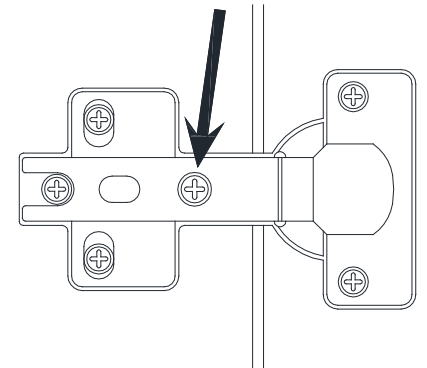
**UP AND DOWN**  
Use screws to adjust the gaps at the top and bottom of door.



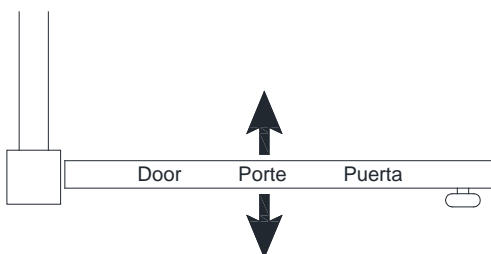
FRONT VIEW



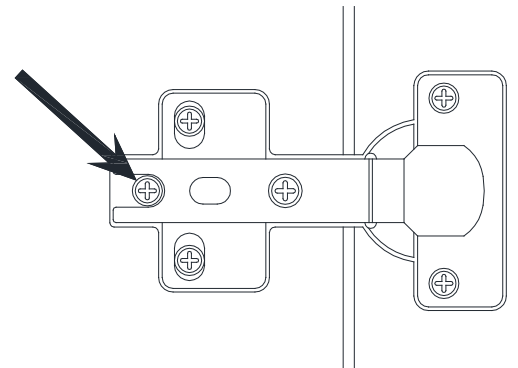
**LEFT AND RIGHT**  
Use screw to adjust the gaps at left and right of the door.



TOP VIEW

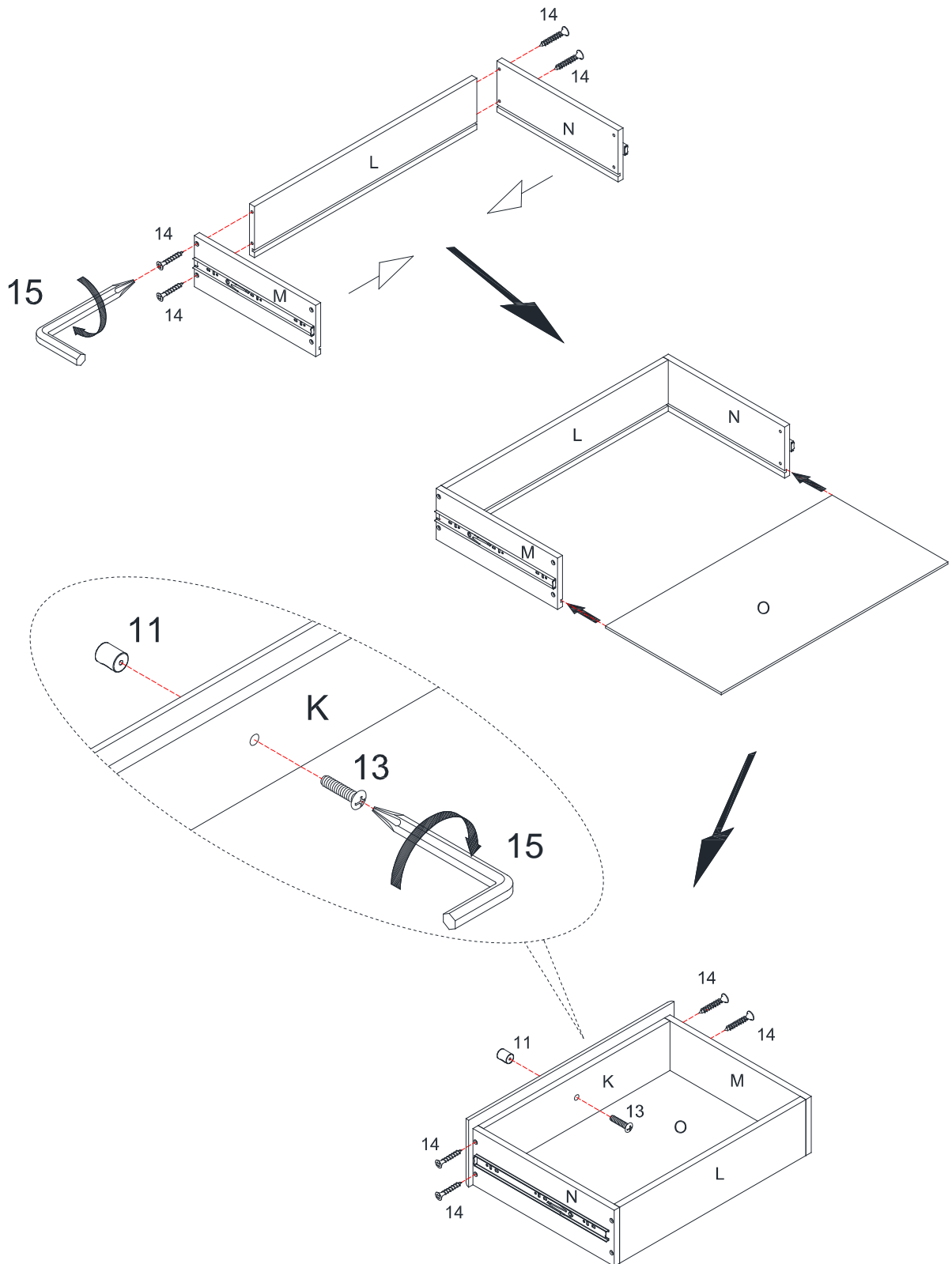


**IN AND OUT**  
Use screw to move the door in or out.



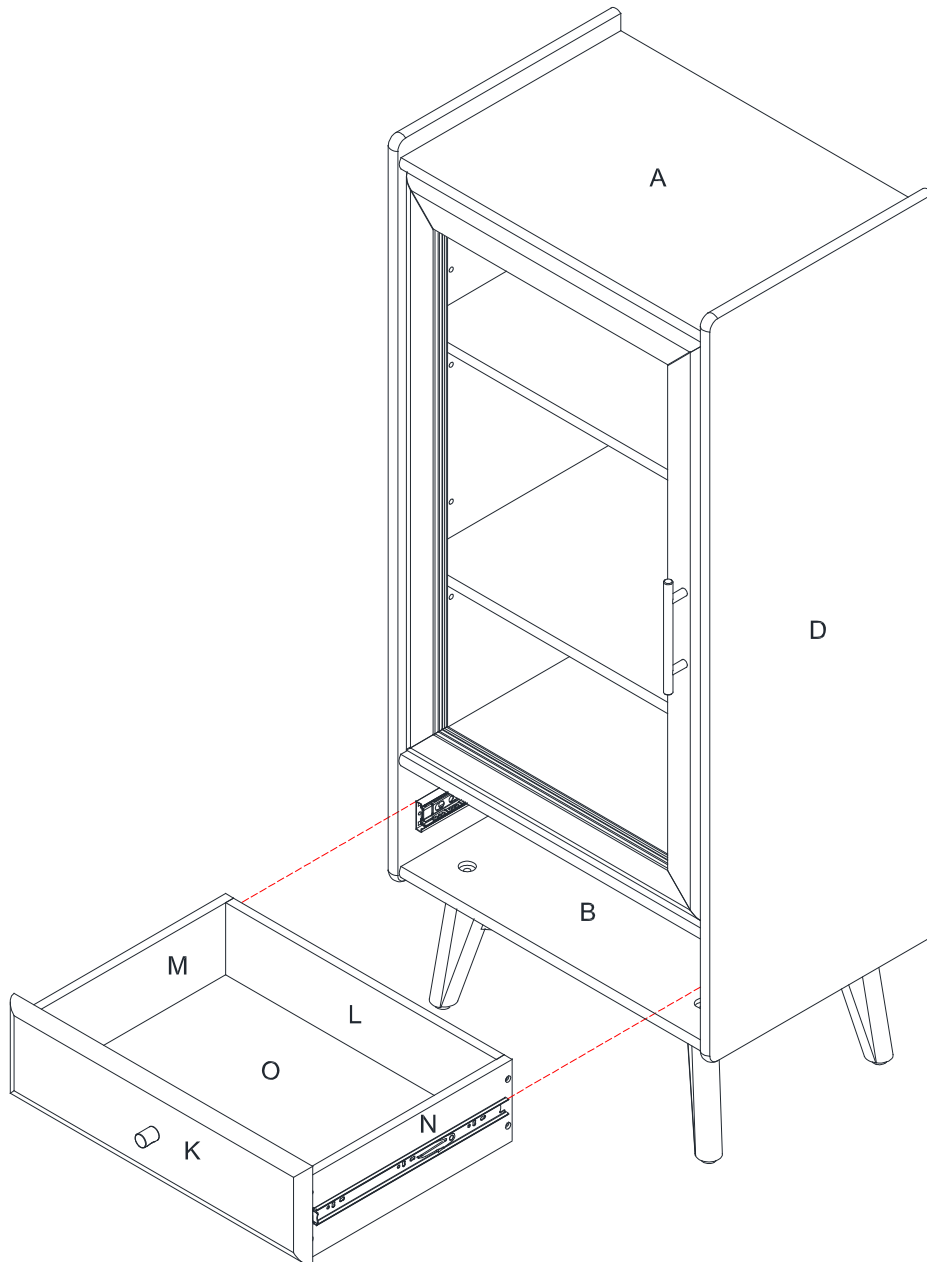
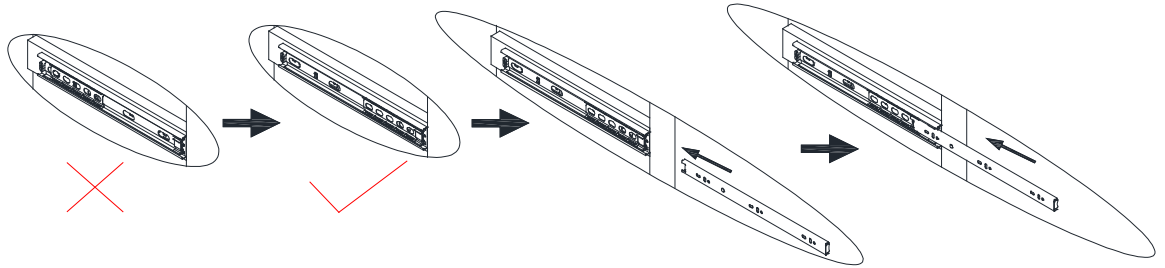
# Assembly | Asambla | Assemblage

# 9




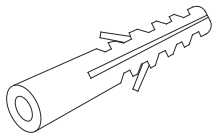

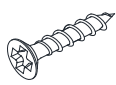
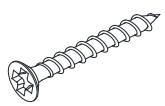
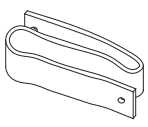
# Assembly | Asambllea | Assemblage

# 10



# Assembly | Asambla | Assemblage

## 11

#17	A	B	C	D	E
					
Safety Strap Kit	Anchor	Washer	Short Screw	Long Screw	Safety Wall Strap
1 SET	1 PC	2 PCS	1 PC	1 PC	1 PC

