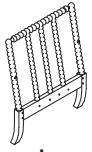
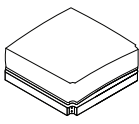


ARM CHAIR



backrest
A: 1 PC



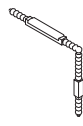
seat
B: 1 PC



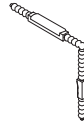
pillow
C: 1 PC



cover
C1: 1 PC



armrest D
D: 1 PC



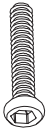
armrest E
E: 1 PC



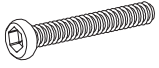
1/4"x 40mm
F: 2 PCS



5/16"x 40mm
G: 2 PCS



5/16"x 55mm
H: 4 PCS



5/16"x 80mm
I: 4 PCS



5/16"x 22mm
J: 10 PCS



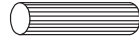
1/4"
K: 2 PCS



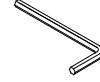
5/16"
L: 10 PCS



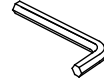
N/A
M: 2 PCS



10mm x 30mm
N: 2 PCS

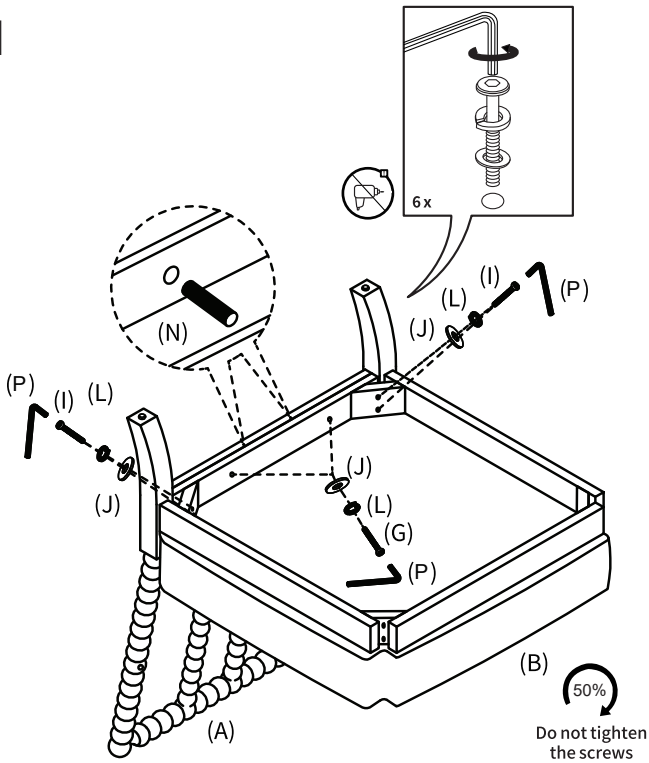


1/4"
Q: 1 PC

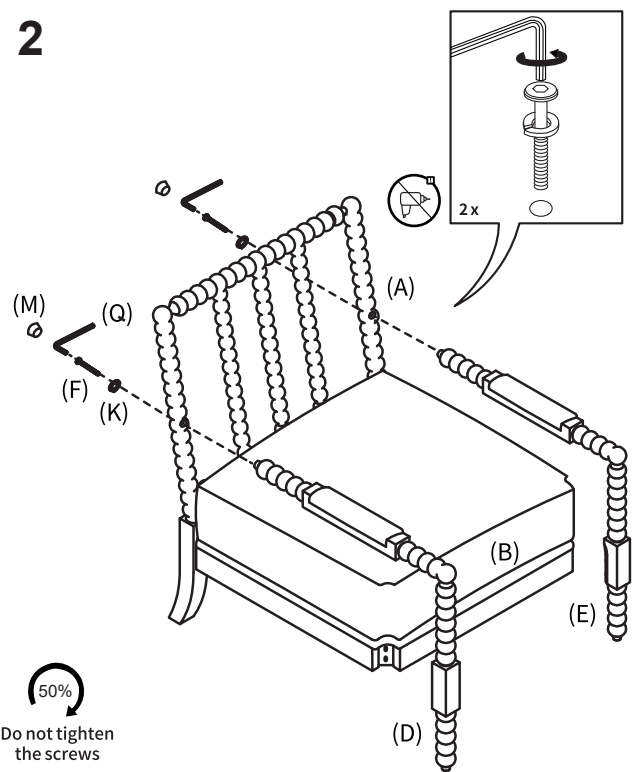


5/16"
P: 1 PC

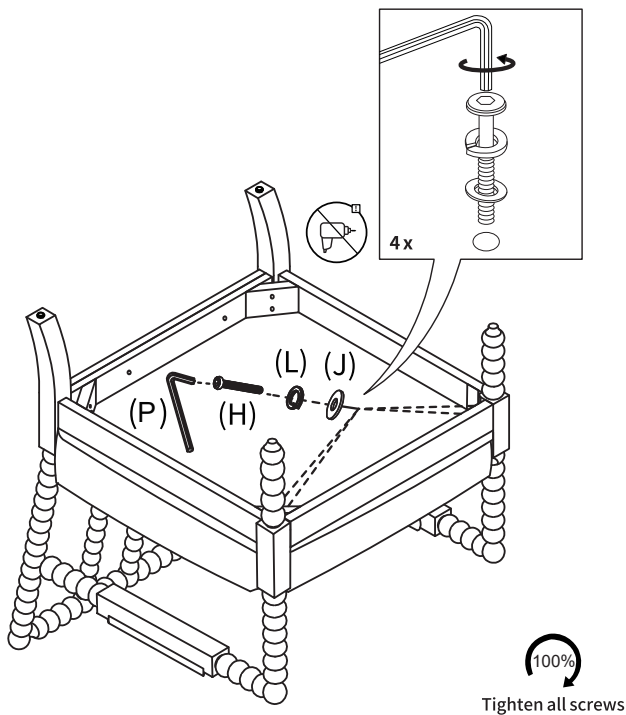
1



2



3



4

