




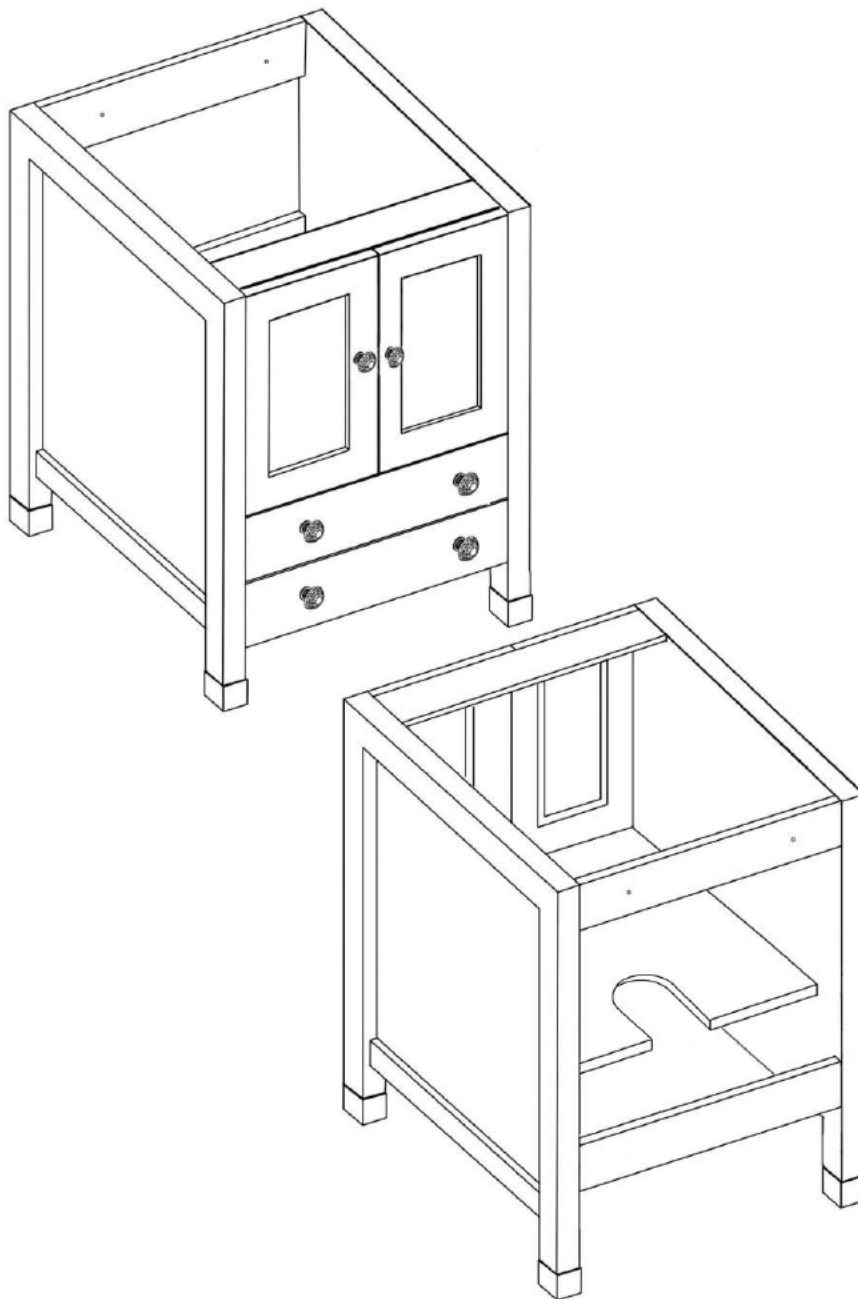
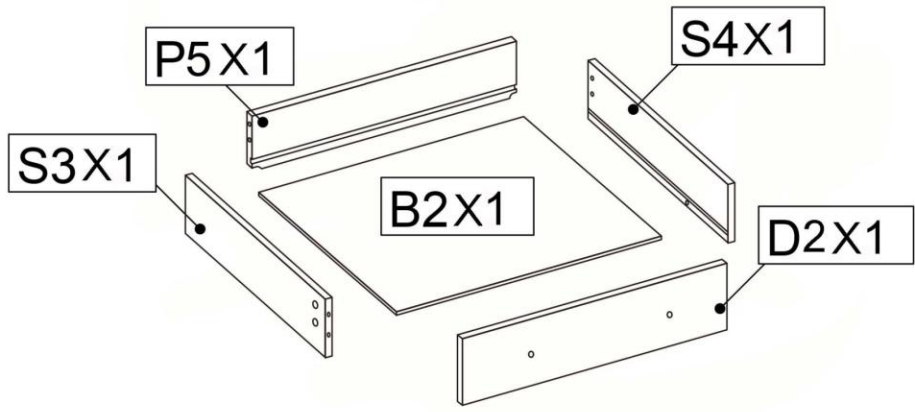
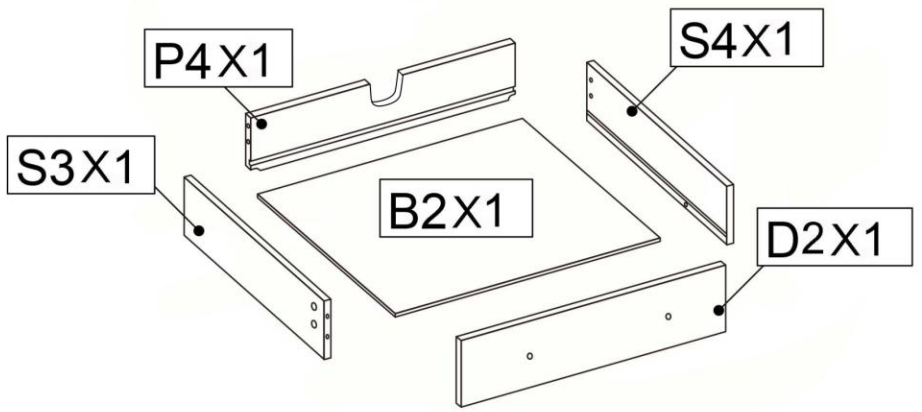
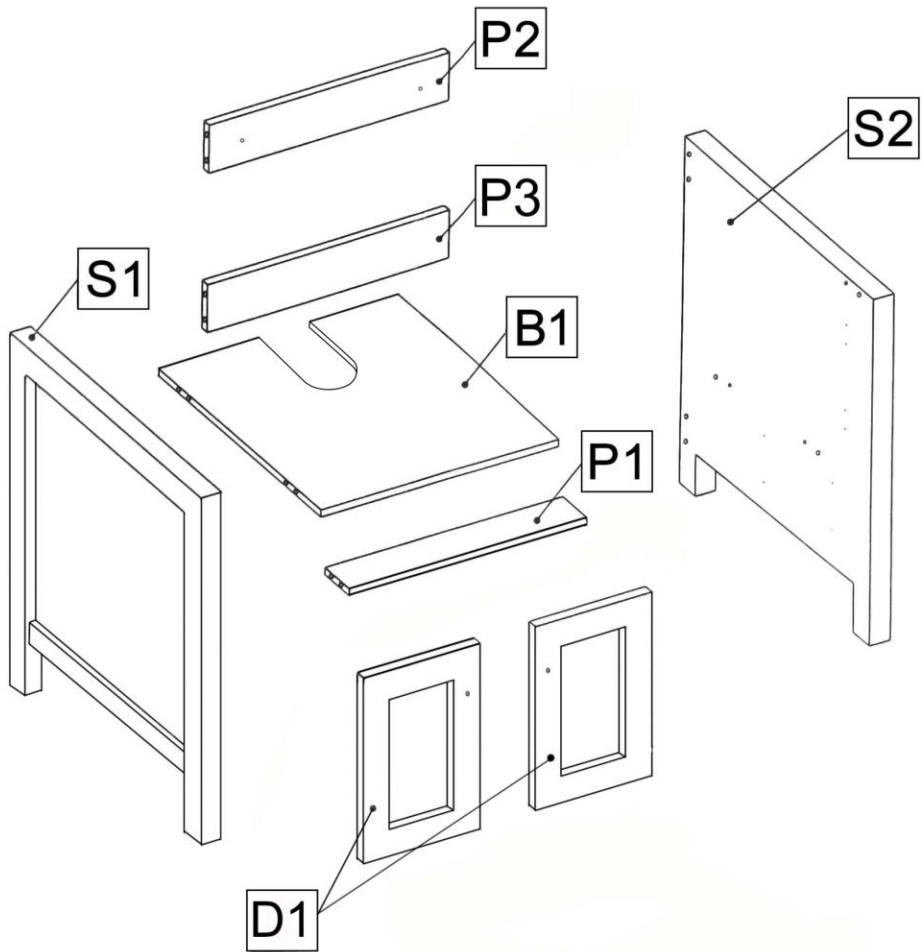


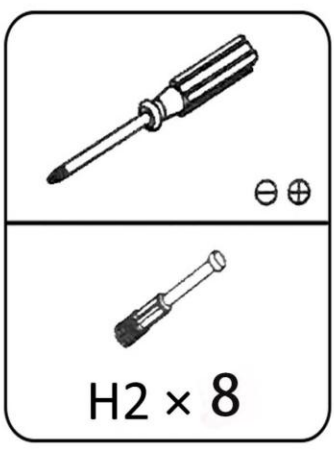
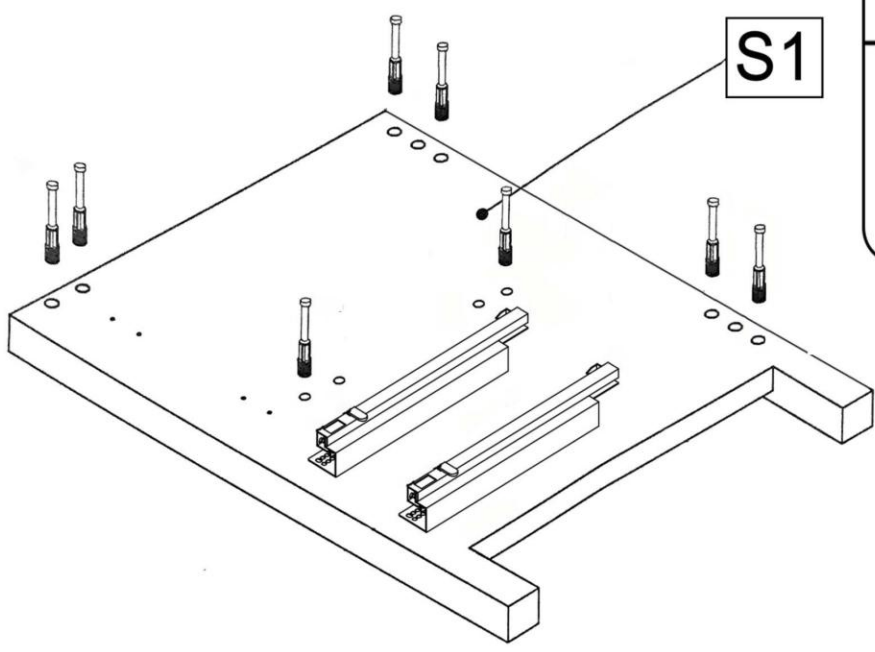
# INSTRUCTION

|  |   |              |
|--|---|--------------|
|  |  | <b>H1X24</b> |
|  |  | <b>H2X32</b> |
|  |  | <b>H3X8</b>  |
|  |  | <b>H4X32</b> |
|  |  | <b>H5X6</b>  |
|  |  | <b>H6X6</b>  |
|  |  | <b>H7X4</b>  |
|  |  | <b>H8X4</b>  |

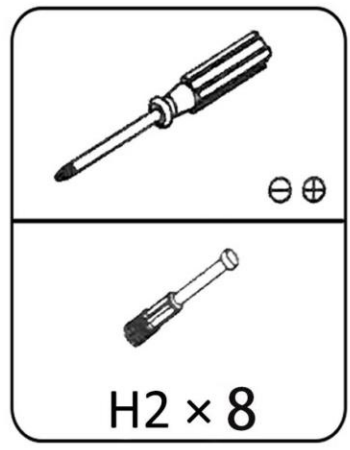
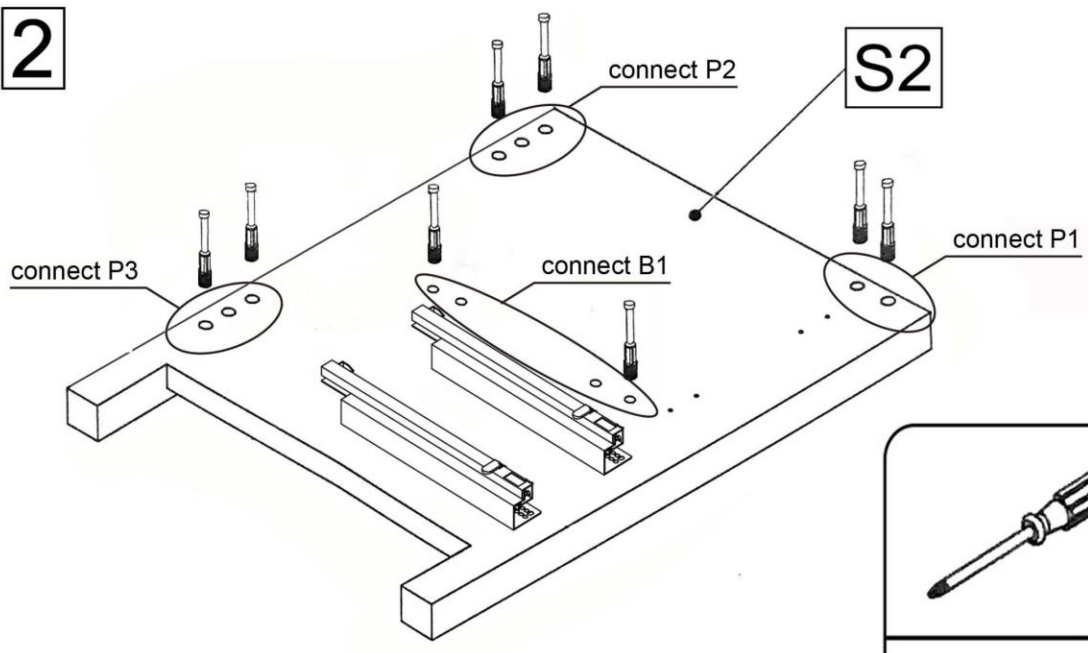




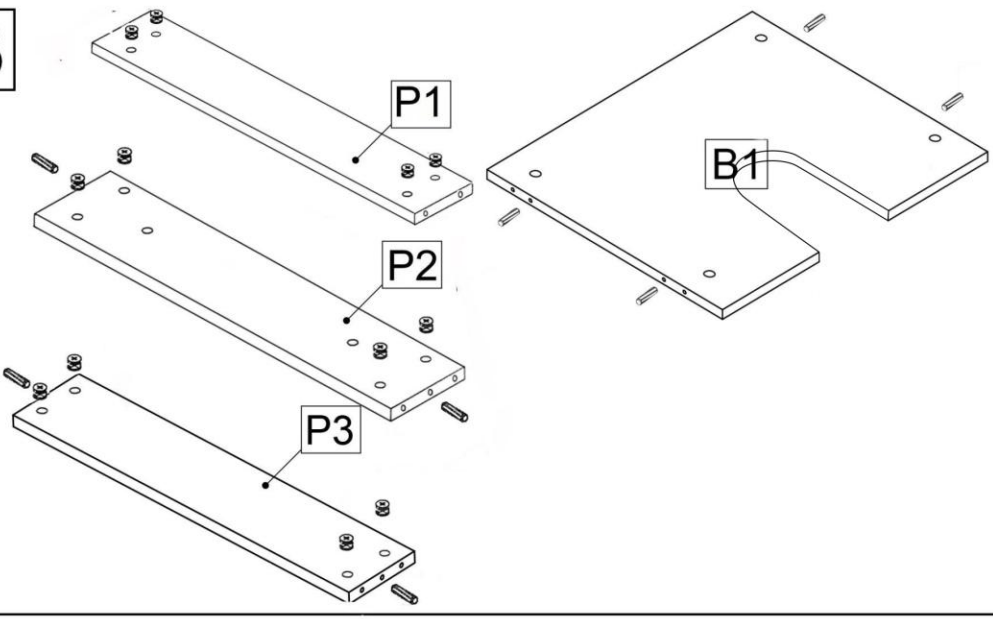
1




2

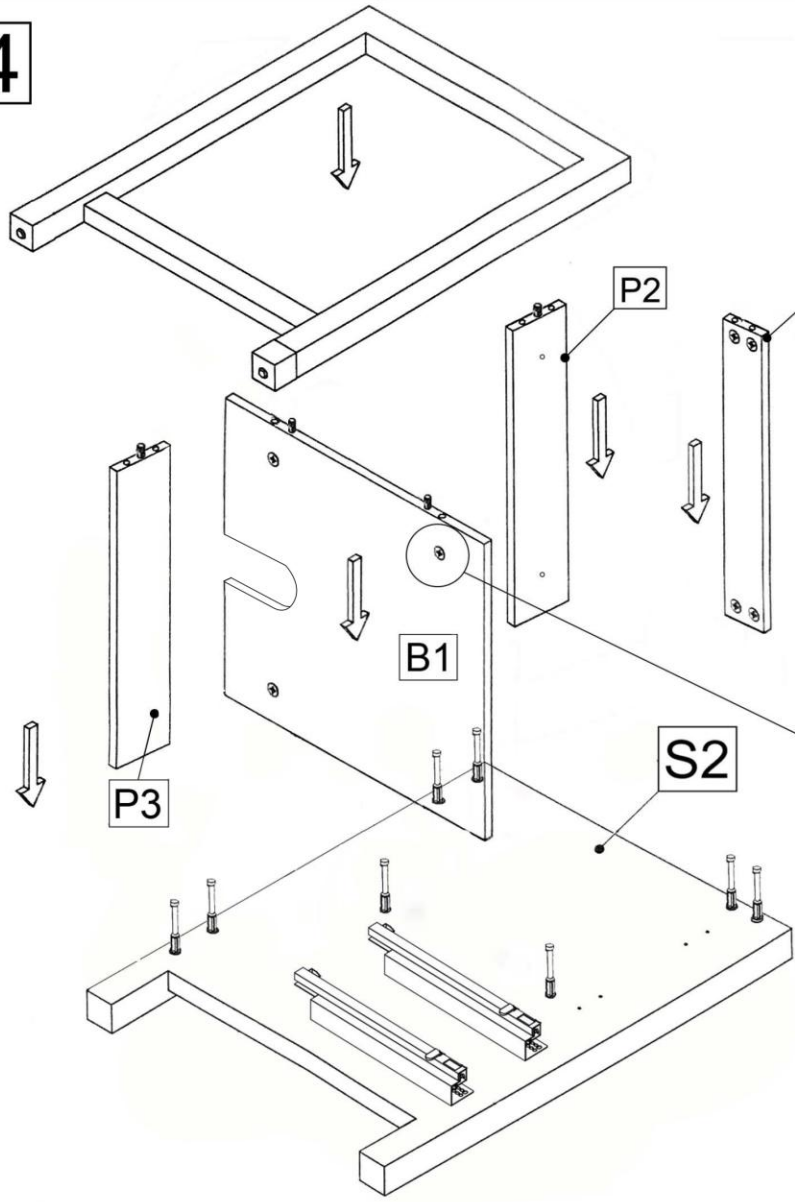


3


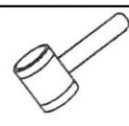


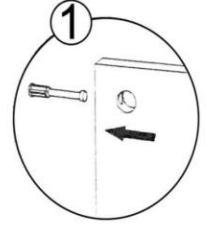
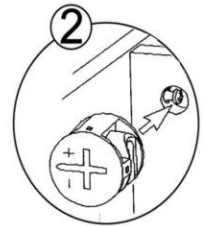
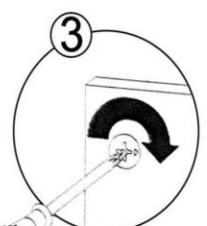
|  |
|--|
| <br>H3 x 16 |
| <br>H4 x 16 |

4

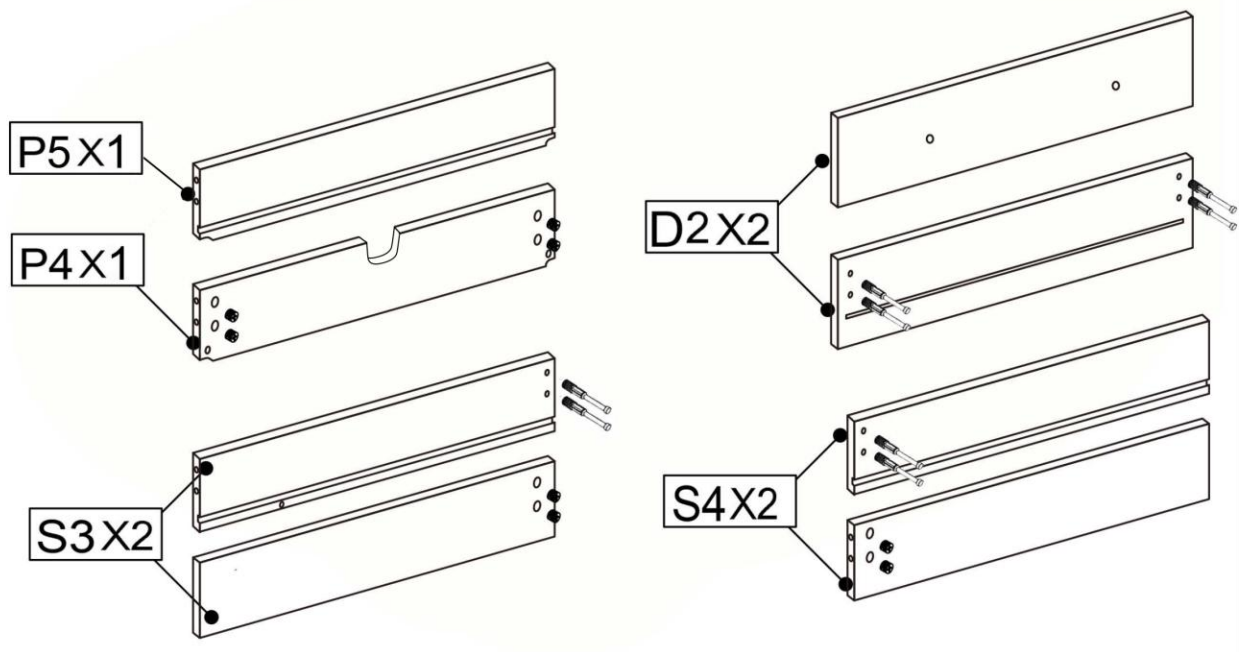
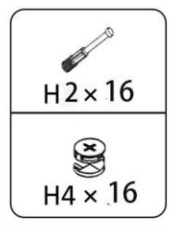


|   |
|---|
| <br>H3X8 |
|         |

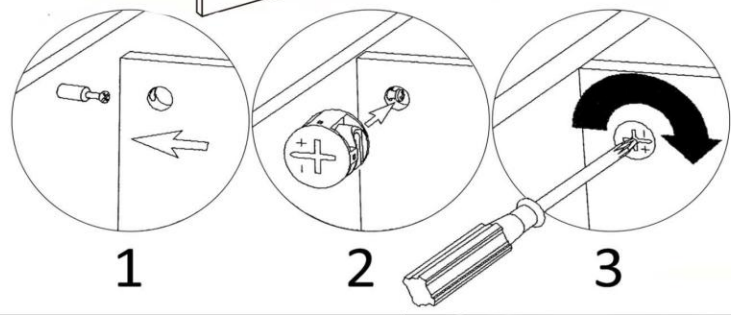
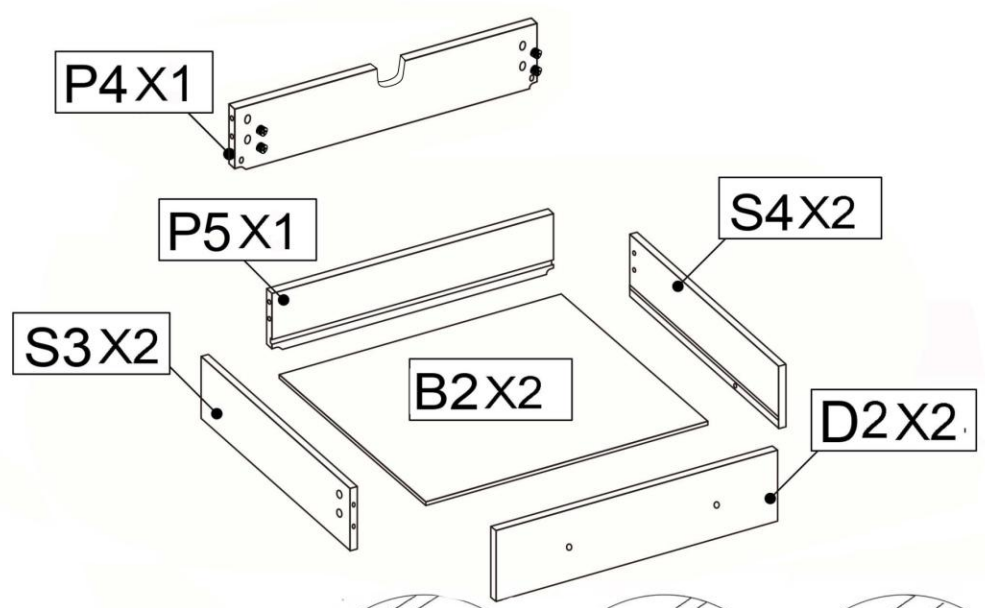
|  |
|--|
| <br>⊖ ⊕ |
|        |

|  |
|--|
| <br>1 |
| <br>2 |
| <br>3 |

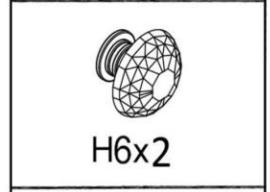
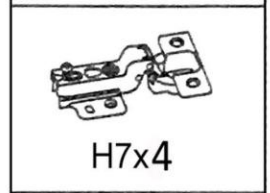
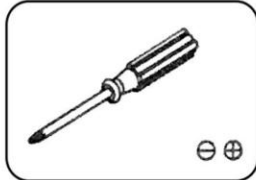
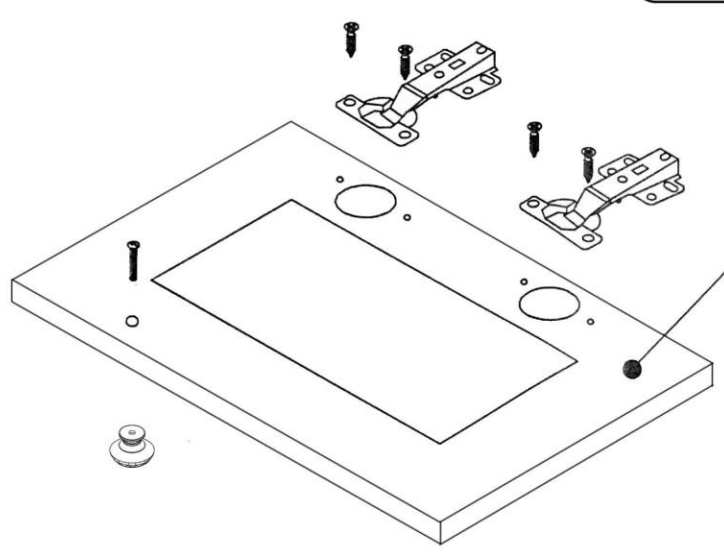
5



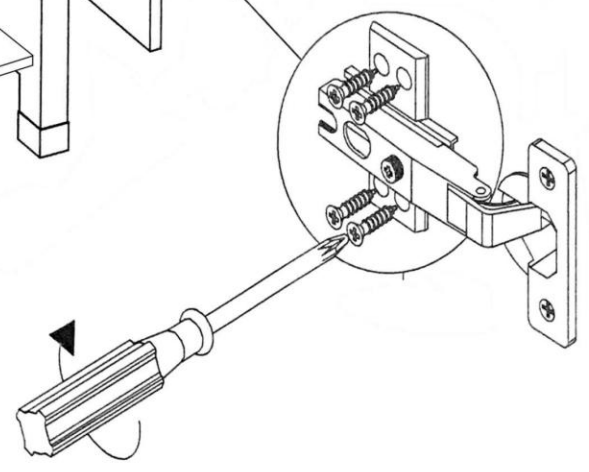
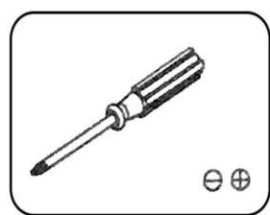
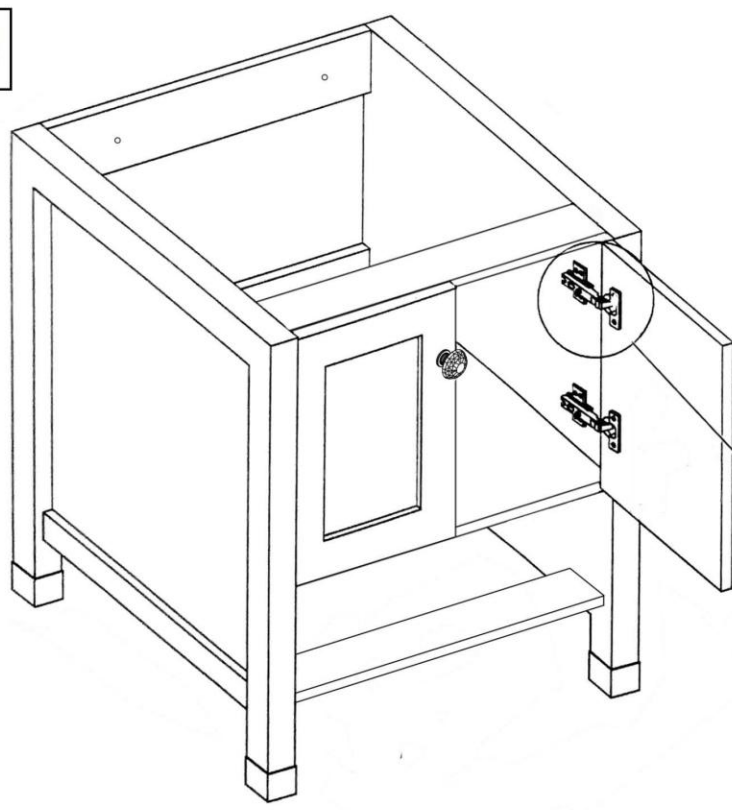
6



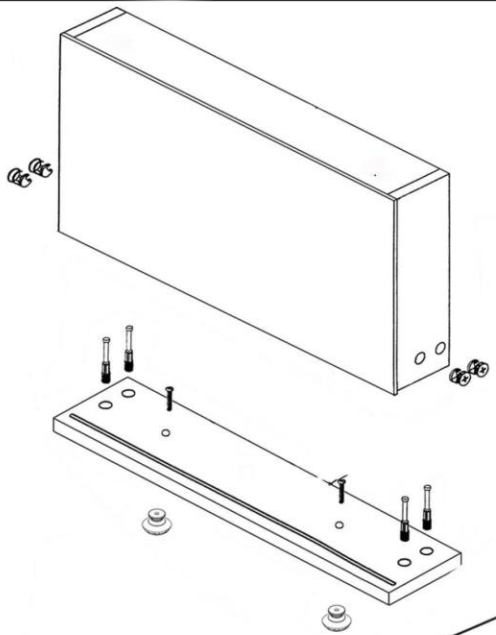
7



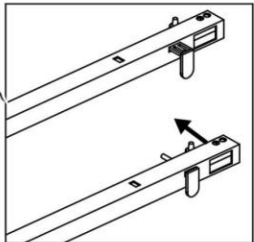
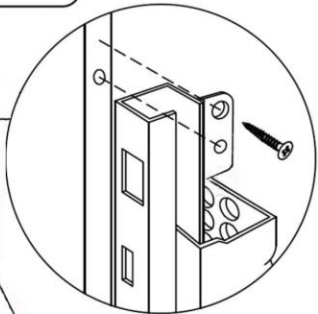
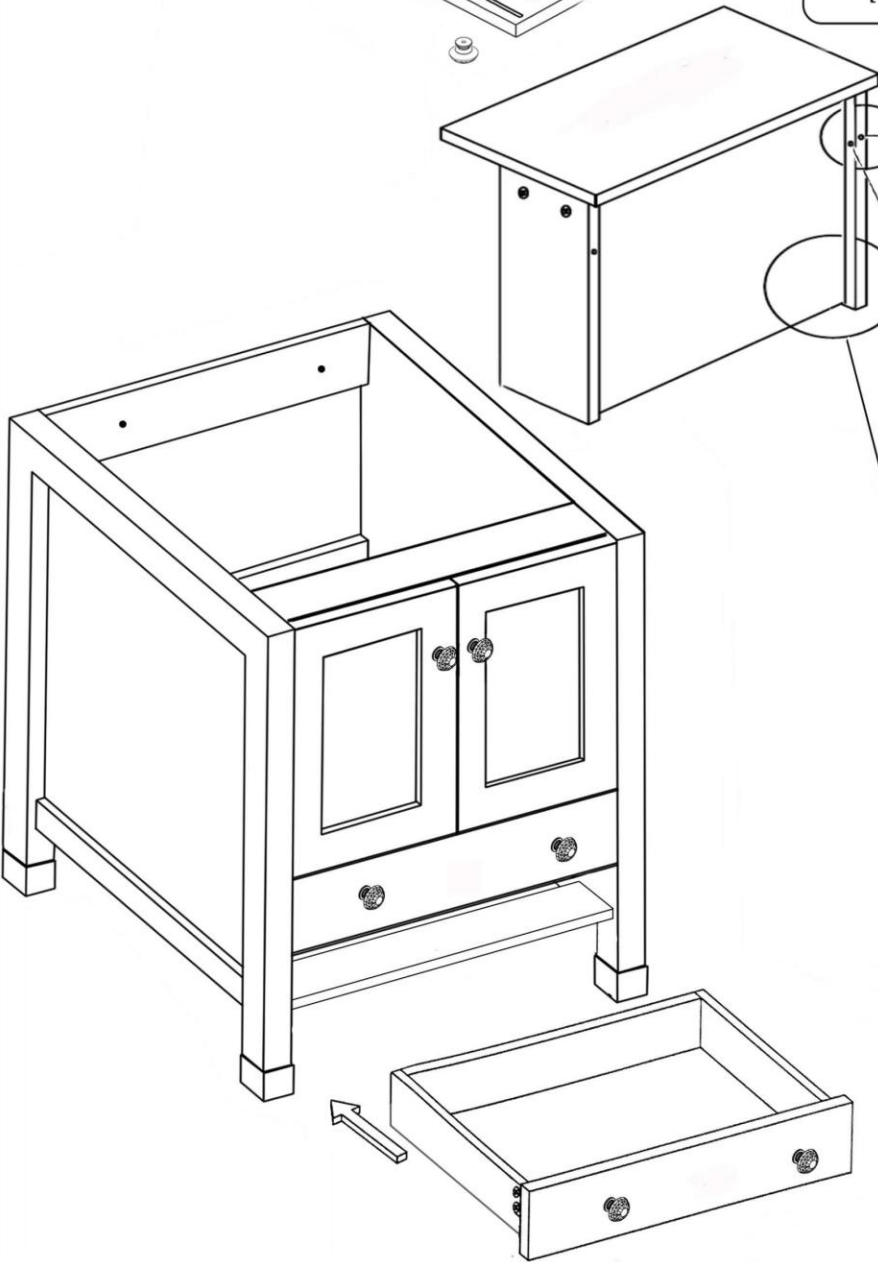
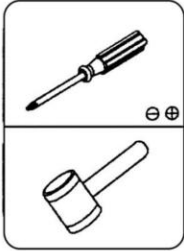
8



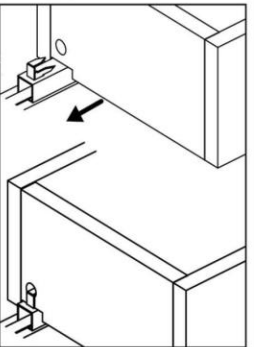
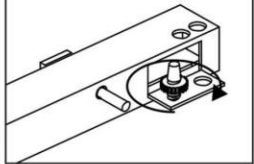
9

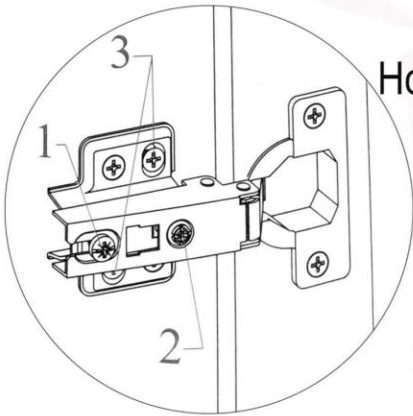
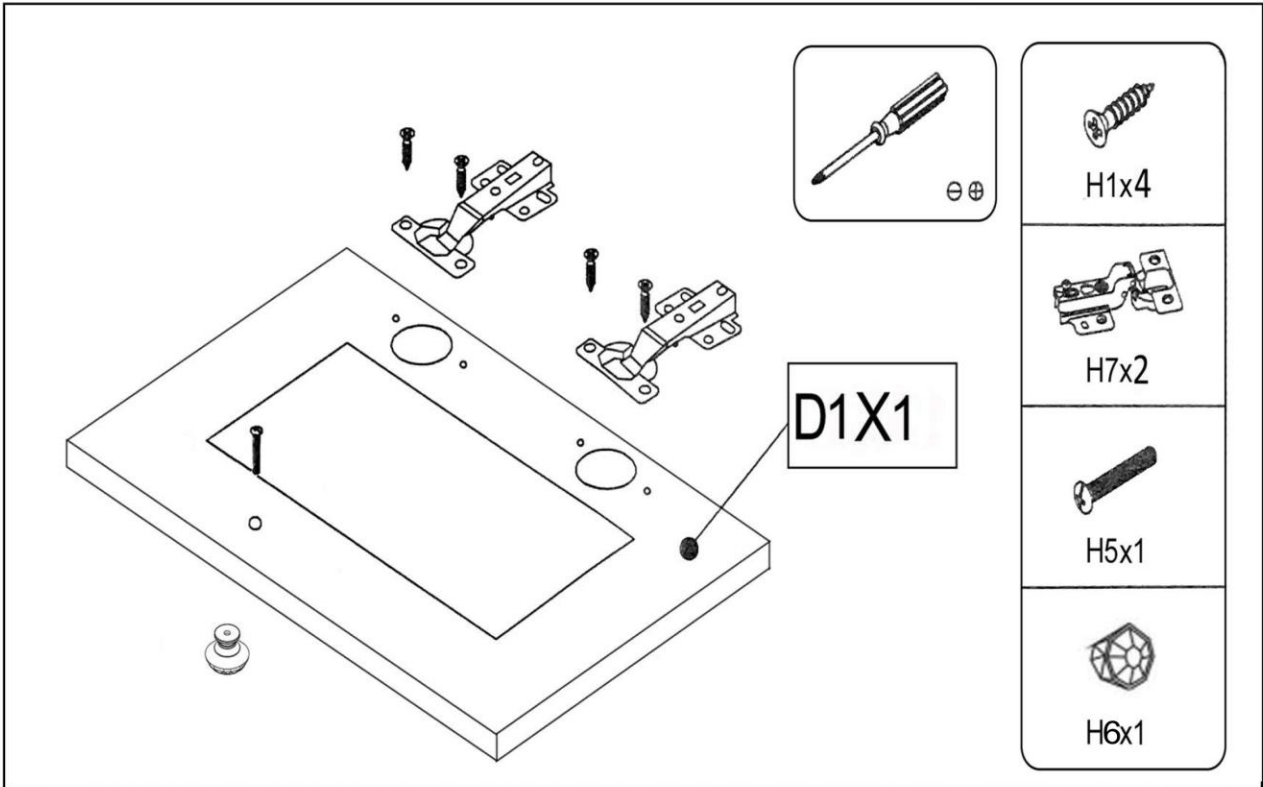


- H2x8
- H4x8
- H5x4
- H6x4



For adjusting the height of the drawer.





How to adjust hinges on the doors

1. To adjust door forward or backward.
2. To adjust door to right or to left.
3. To adjust door up or down

