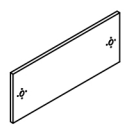
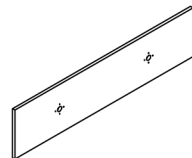
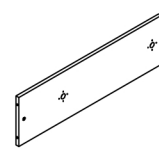

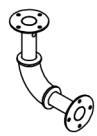


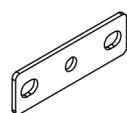

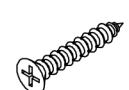

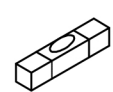
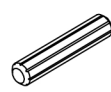
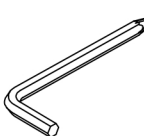
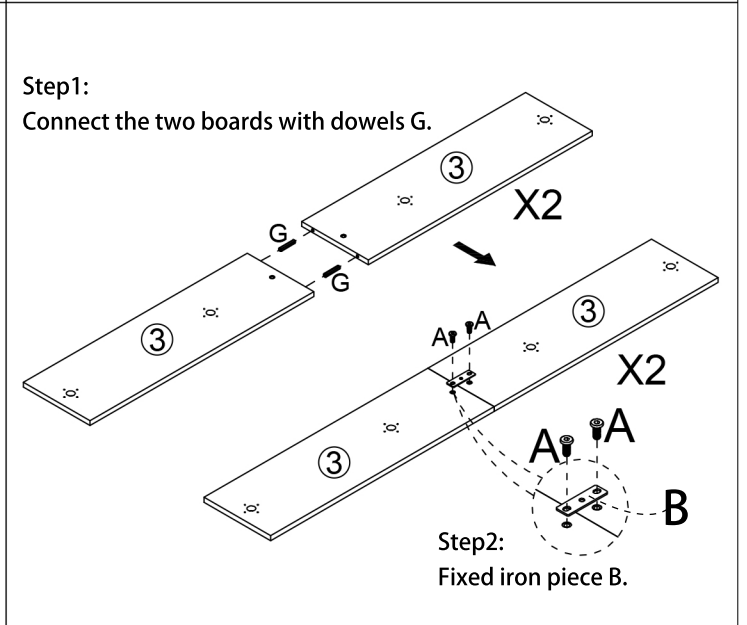
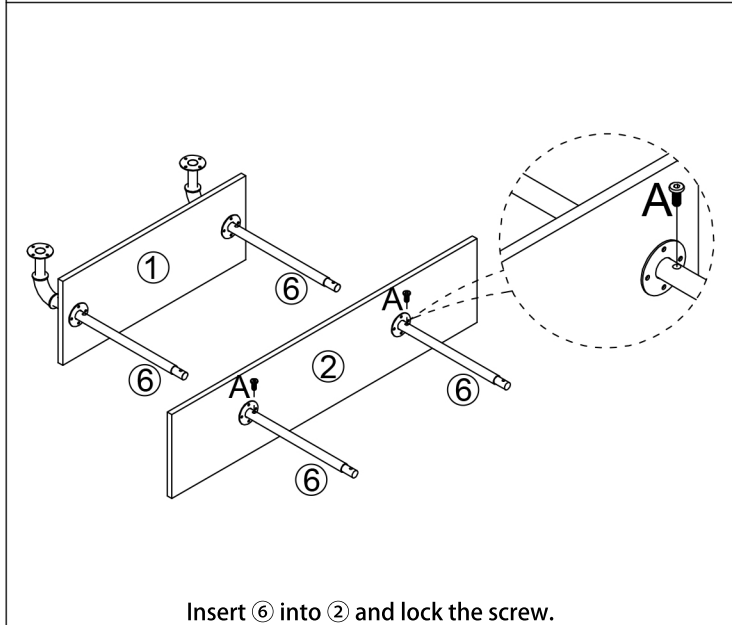
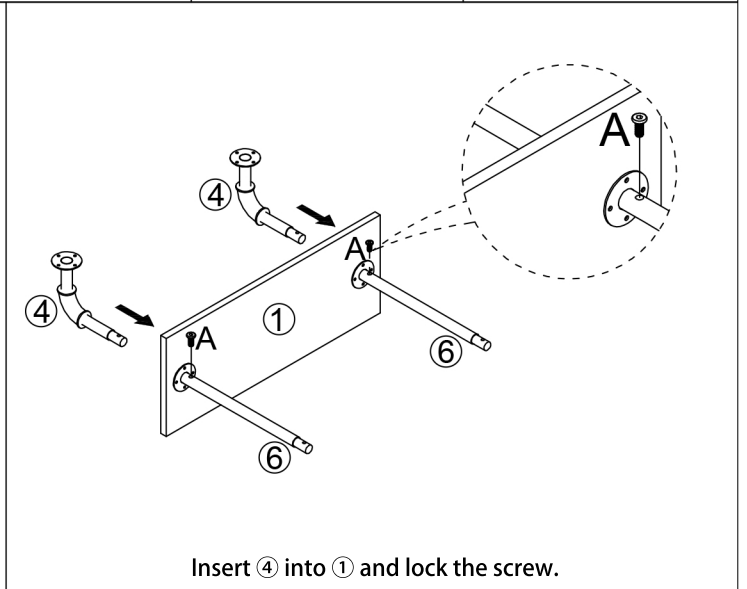
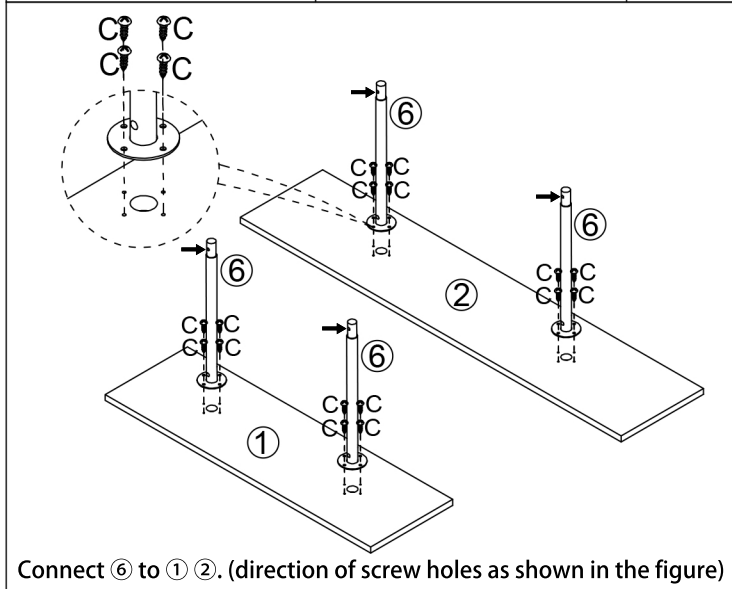
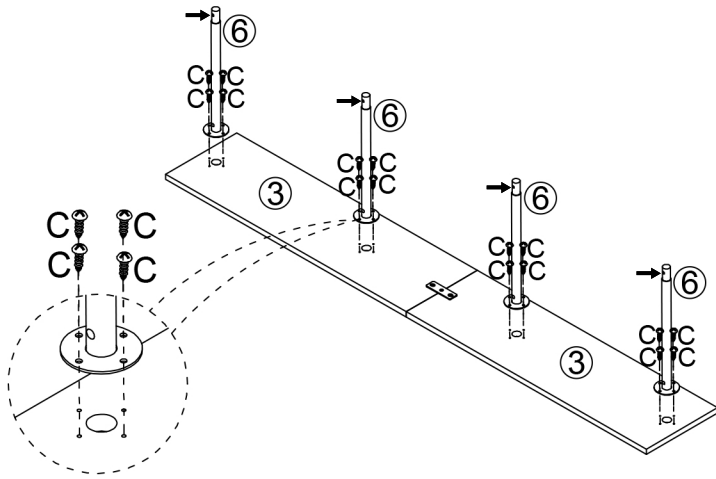


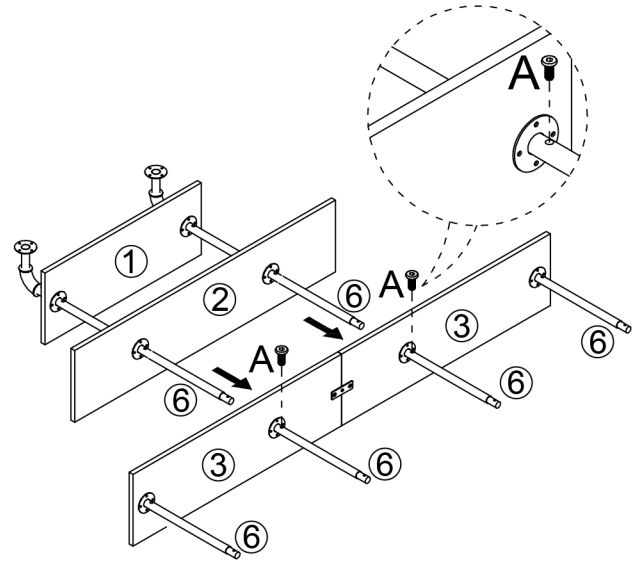
# Assembly Instruction

<p>①</p>  <p>1PC</p>	<p>②</p>  <p>1PC</p>	<p>③</p>  <p>4PCS</p>	<p>④</p>  <p>4PCS</p>	<p>⑤</p>  <p>4PCS</p>
<p>⑥</p>  <p>8PCS</p>	<p>A</p> <p>M6x12mm</p>  <p>16PCS</p>	<p>B</p>  <p>2PCS</p>	<p>C</p> <p>M4x14mm</p>  <p>48PCS</p>	<p>D</p> <p>M4x35mm</p>  <p>32PCS</p>
<p>E</p> <p>Ø6x30mm</p>  <p>32PCS</p>	<p>F</p>  <p>1PC</p>	<p>G</p> <p>Ø8x30mm</p>  <p>4PCS</p>	<p>H</p> <p>4mm</p>  <p>1PC</p>	

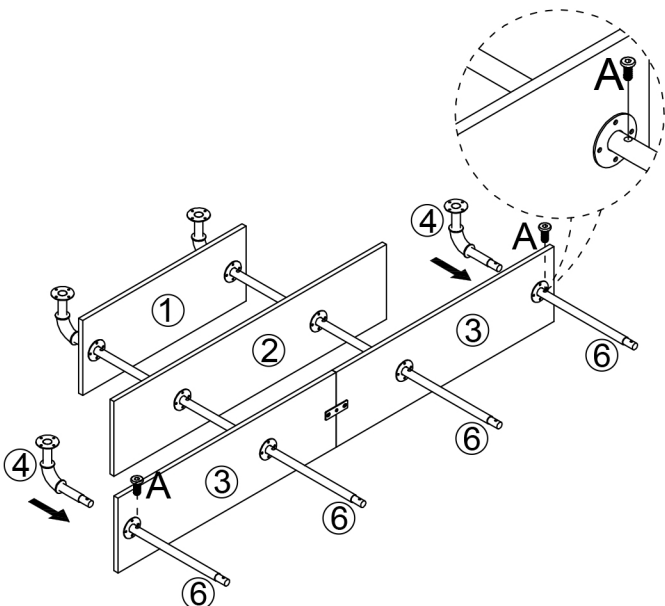




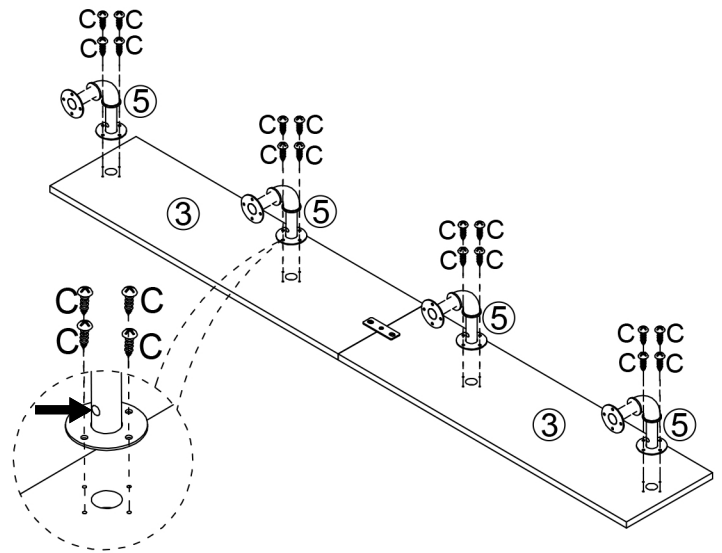
Connect ⑥ to ③. (direction of screw holes as shown in the figure)



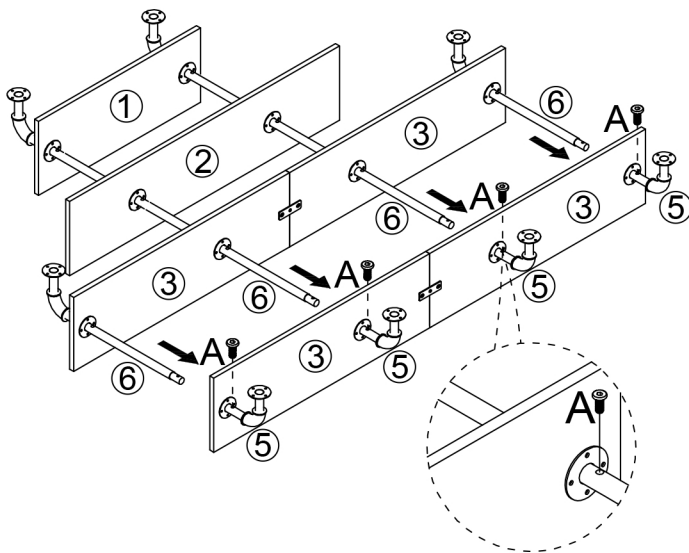
Insert ⑥ into ③ and lock the screw.



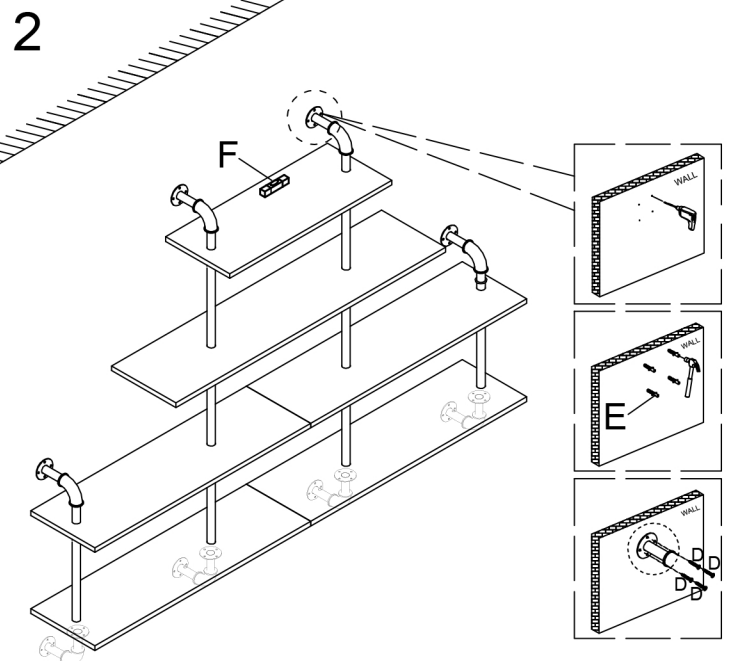
Insert ④ into ③ and lock the screw.



Connect ⑤ to ③. (direction of screw holes as shown in the figure)



Insert ⑥ into ③ and lock the screw.



2

