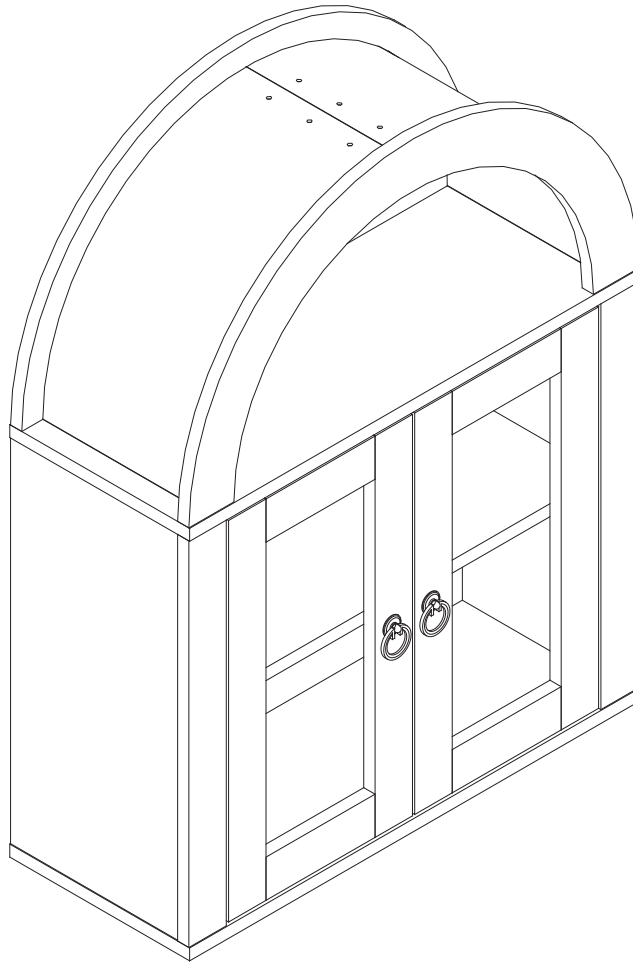


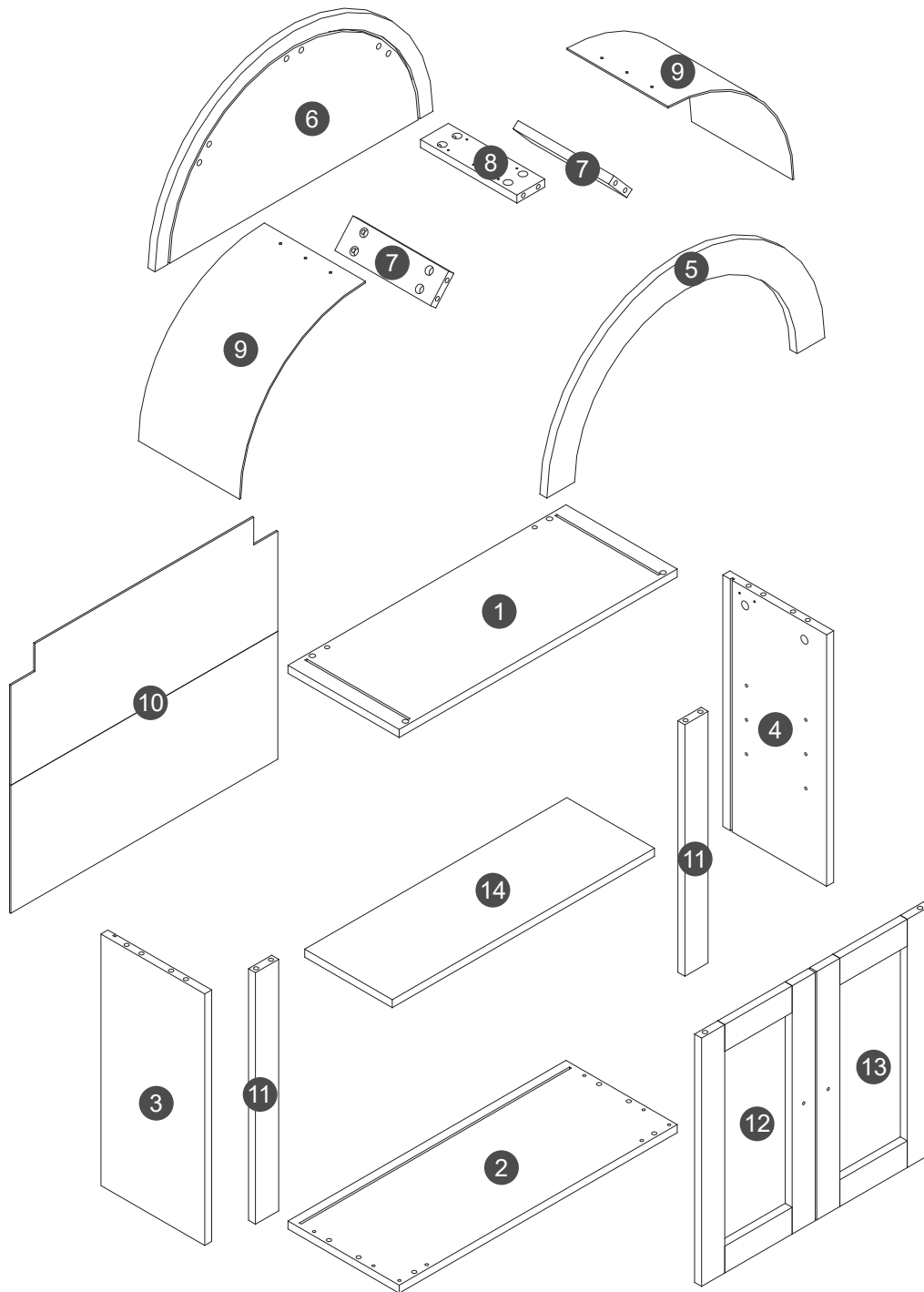
USER MANUAL



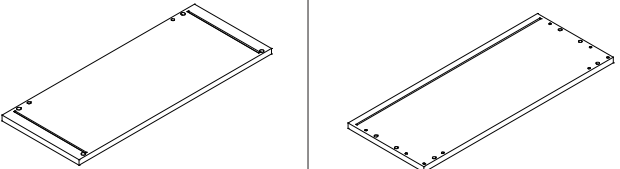
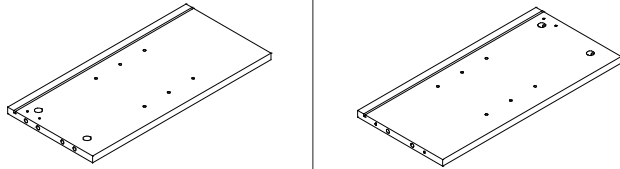
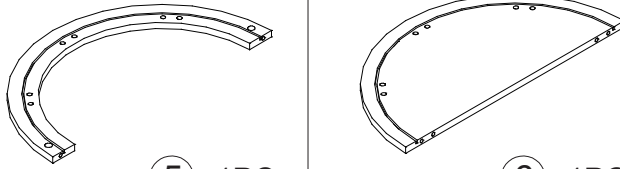
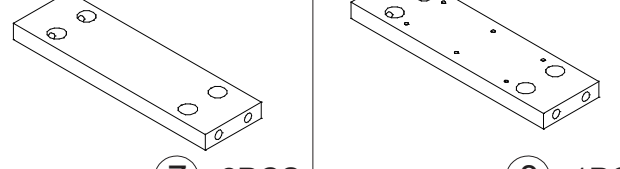
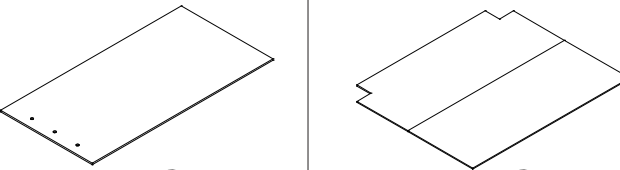
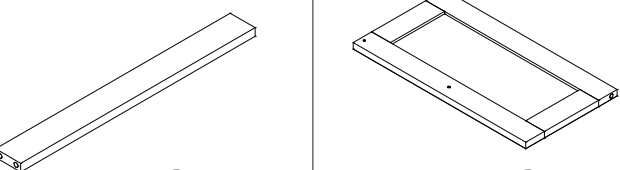
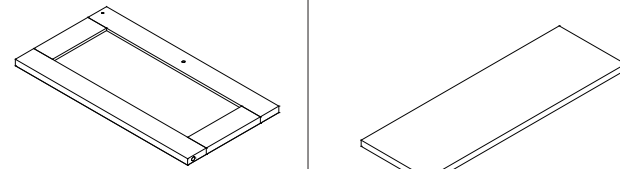
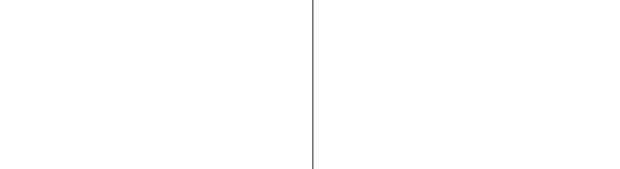
THANK YOU FOR PURCHASING OUR PRODUCT



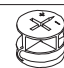


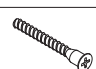
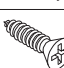
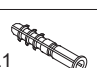
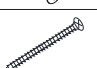
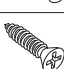
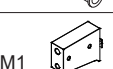



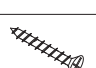
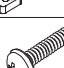


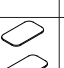
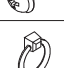
Installation Instructions

Note: Avoid fully tightening screws during initial assembly in case of assembly errors.
Tighten screws only after all parts have been properly assembled.



List of Installation Accessories

	
① x1PC	② x1PC
	
⑤ x1PC	⑥ x1PC
	
⑨ x2PC	⑩ x1PC
	
⑬ x1PC	⑭ x1PC

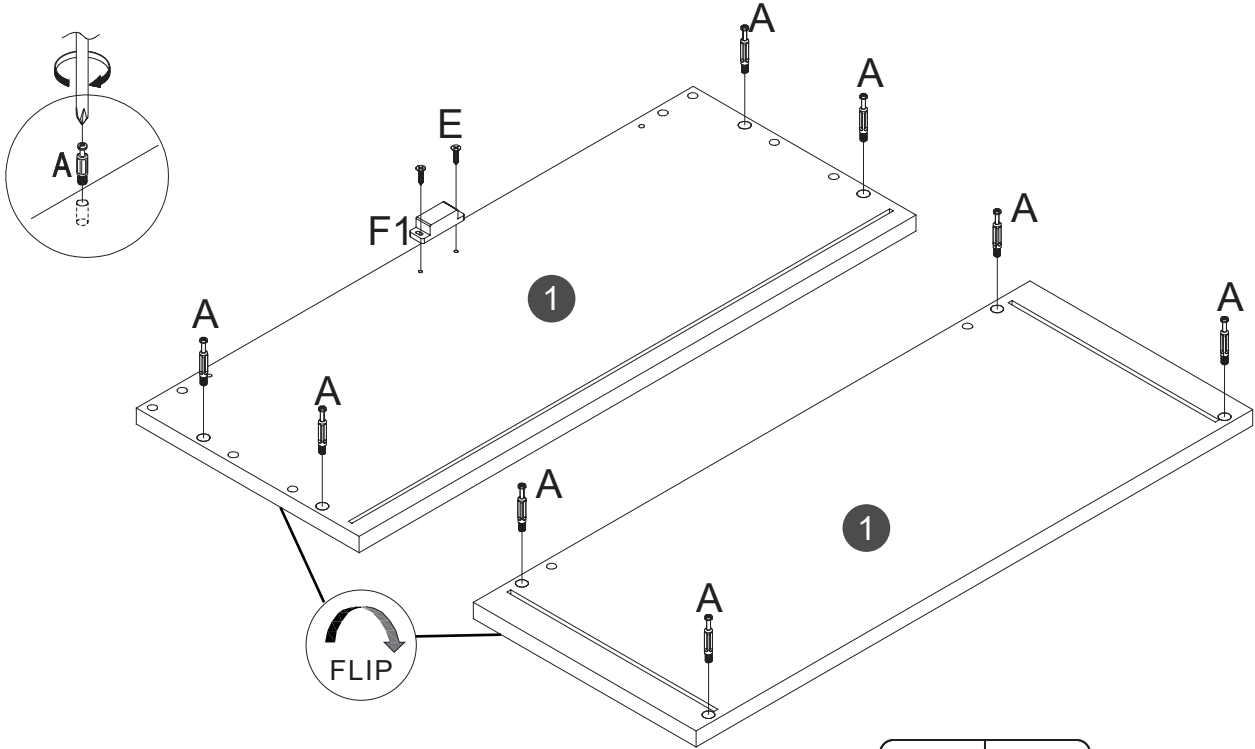
NO.	PICTURE	SIZE	QTY	NO.	PICTURE	SIZE	QTY
A			20	I			4
B		15*11.5	20	J			4
C		8*30	16	K		5*40	6
D	 ⊕	3.5*14	6	L	 		6
E	 ⊕	3*14	4	M	 		2
F	 		1	N		4*30	4
G		M4*18	2	O	  		2
H			2				





It takes at least two people to assemble the product.


Installation Instructions

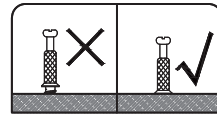
STEP 1



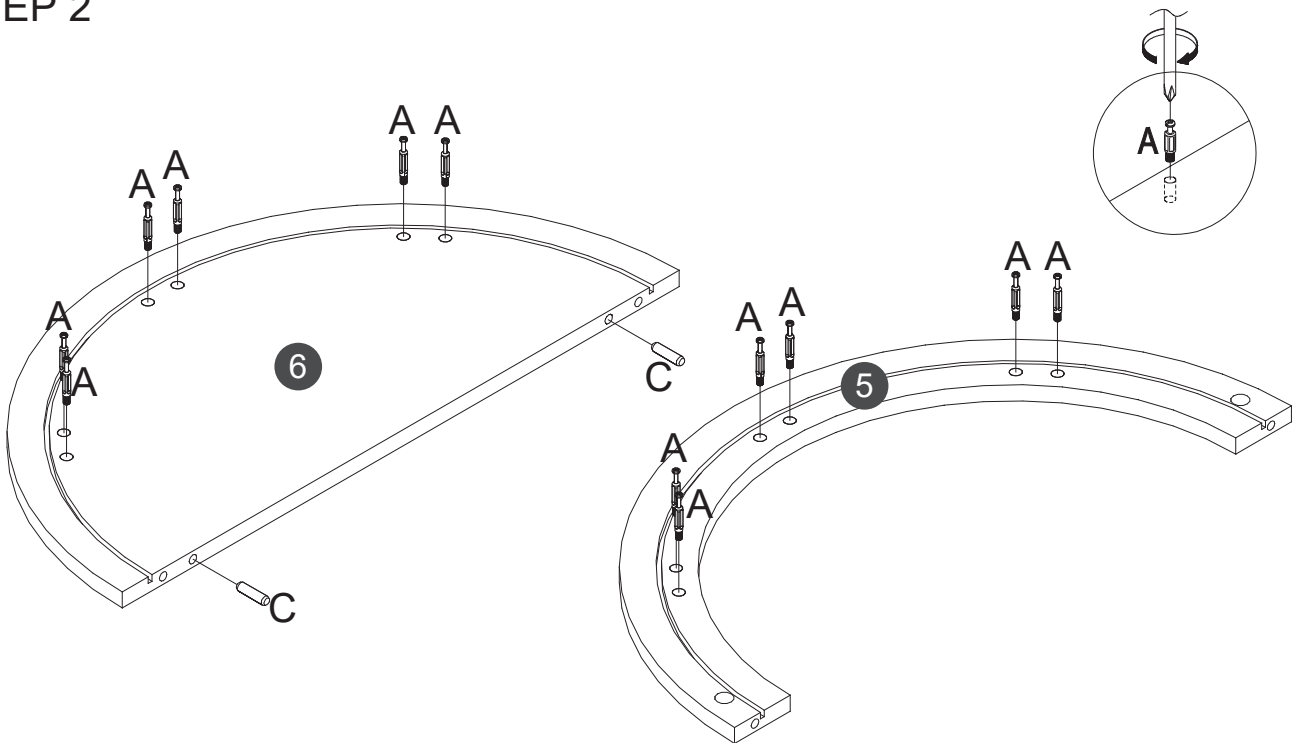
A = 8X 


F1 = 1X 


E = 2X 

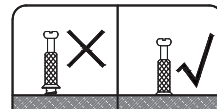


STEP 2



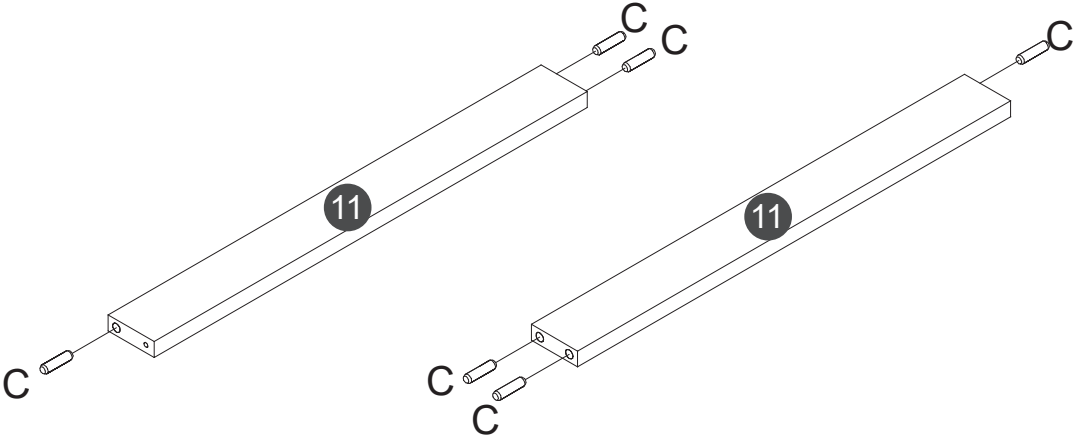
A = 12X 


C = 2X 



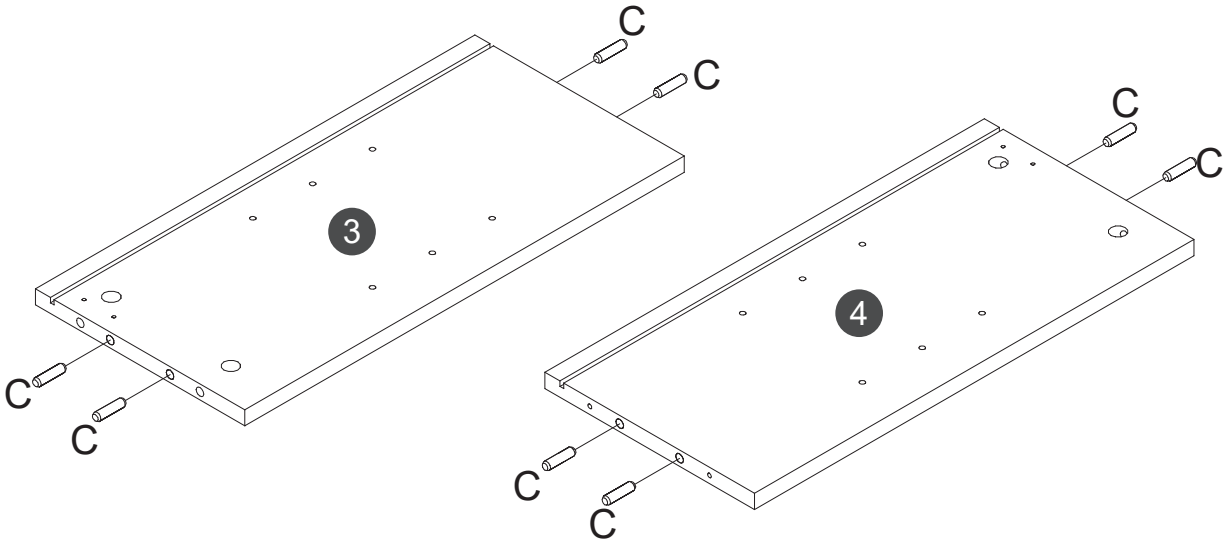
Installation Instructions


STEP 3



C = 6X 

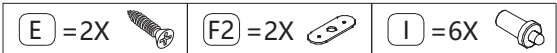
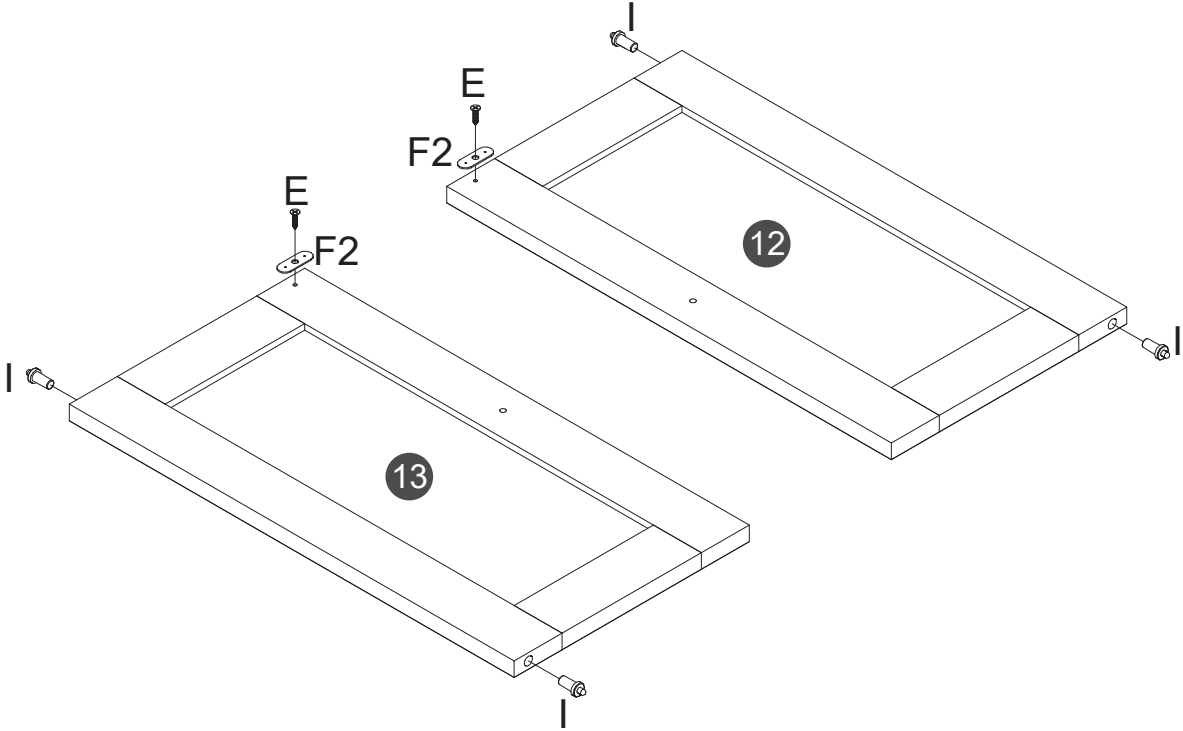
STEP 4



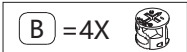
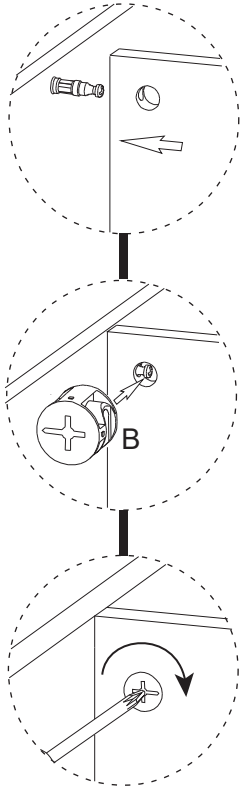
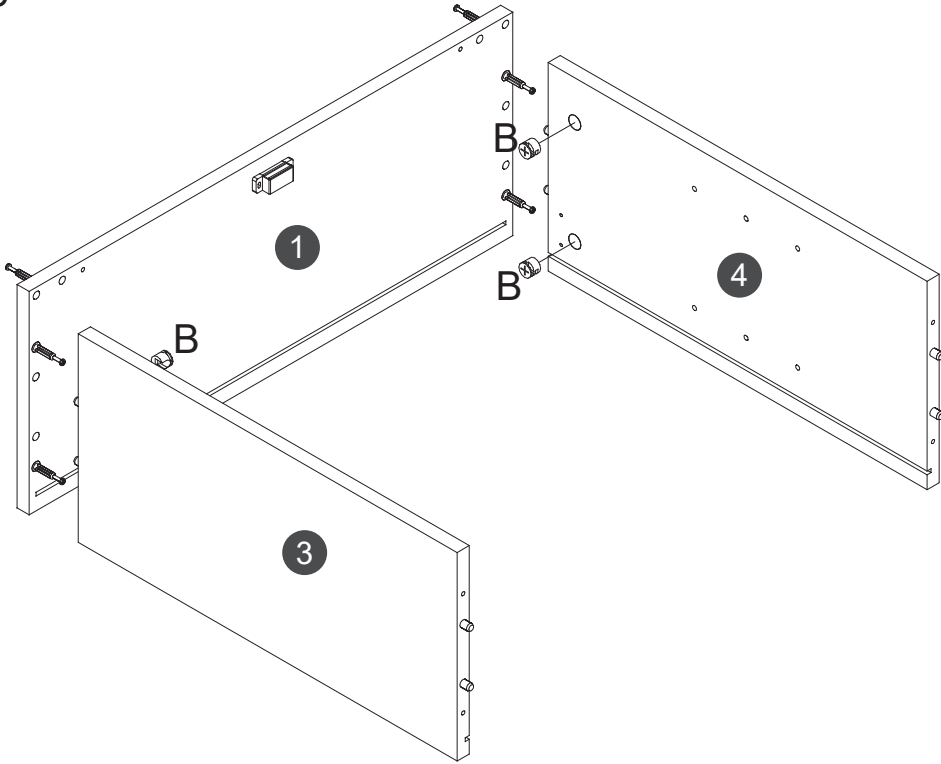
C = 8X 

Installation Instructions

STEP 5

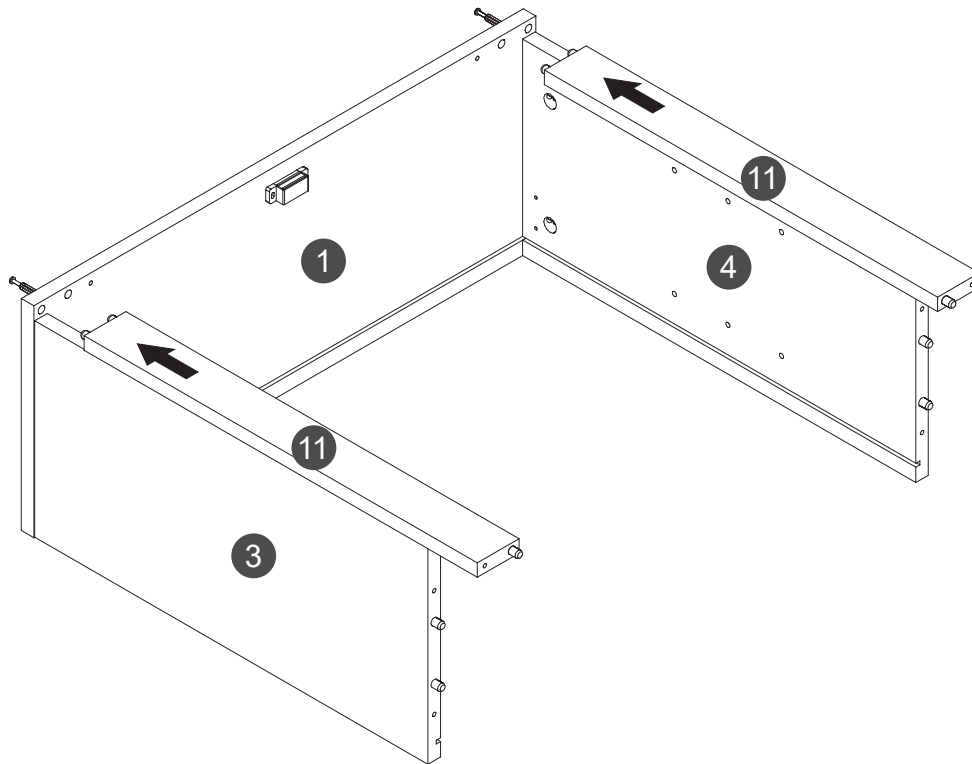


STEP 6

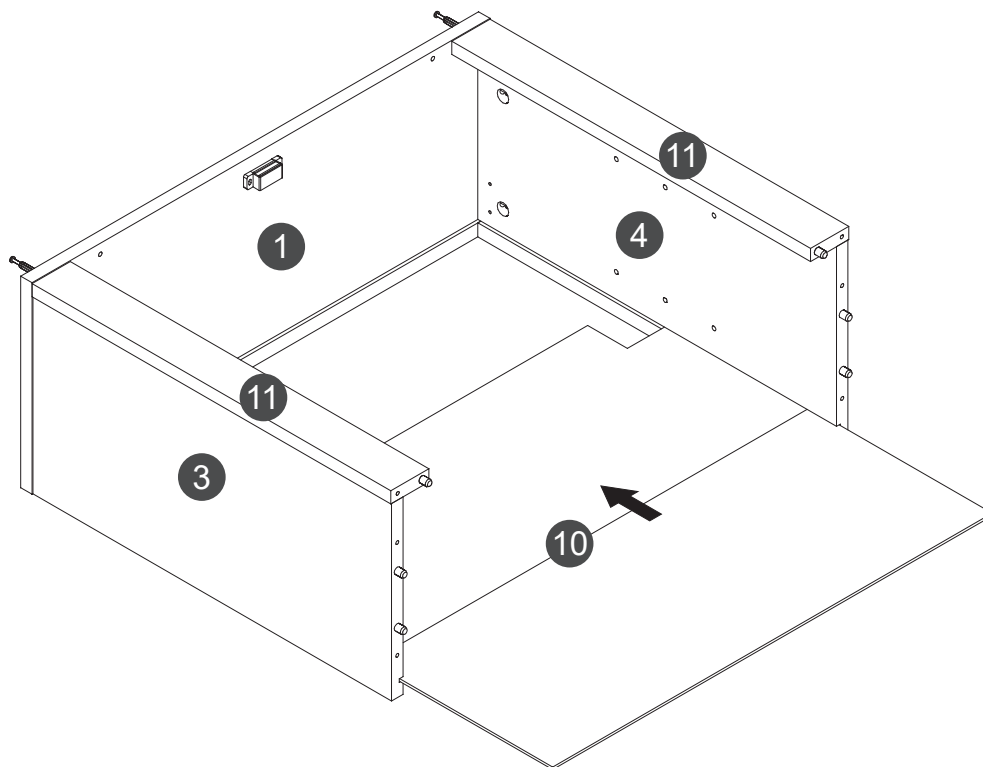


Installation Instructions

STEP 7

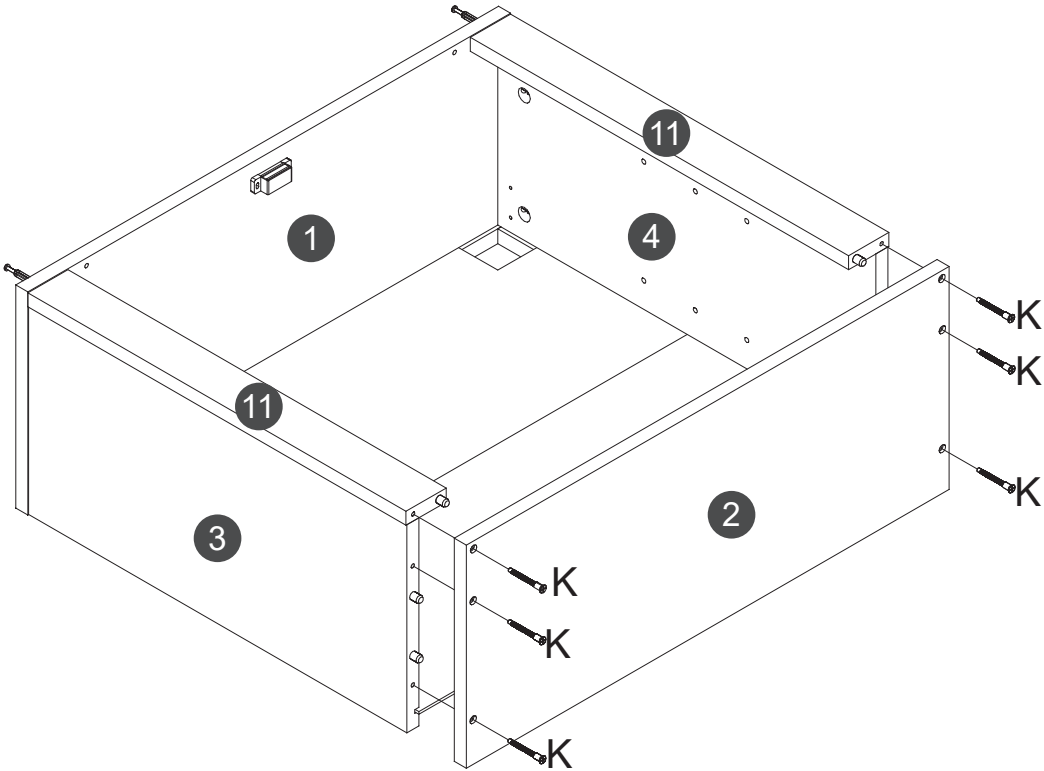



STEP 8



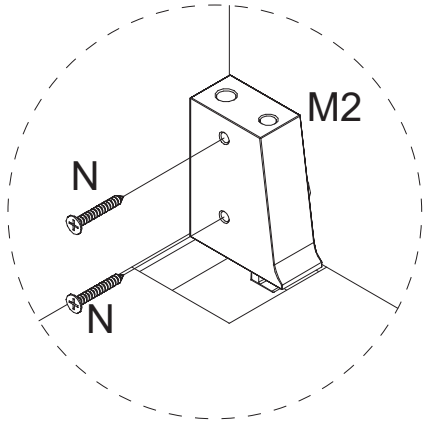
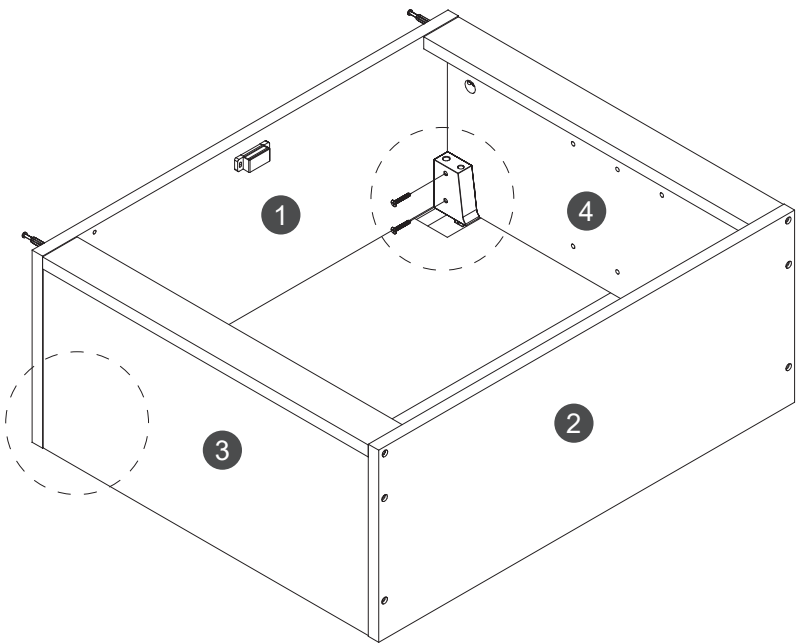
Installation Instructions



STEP 9



K = 6X 

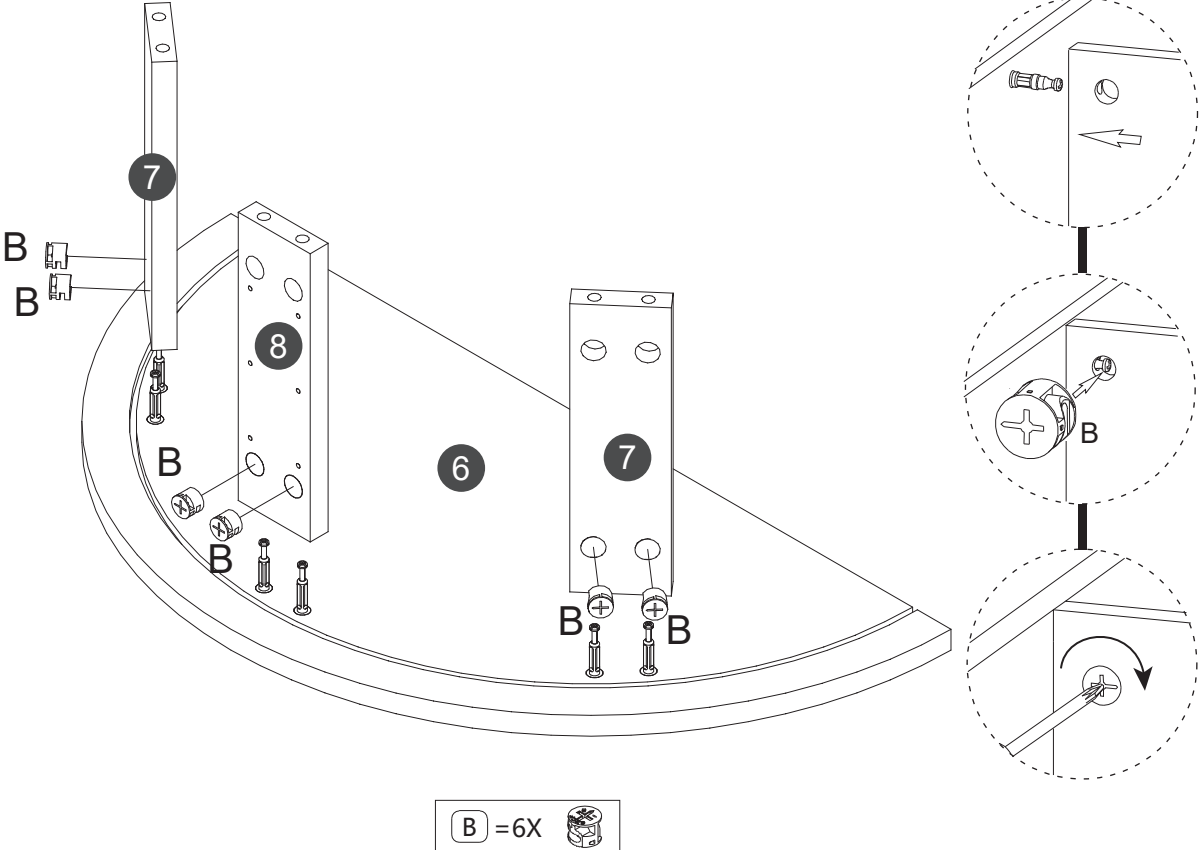
STEP 10



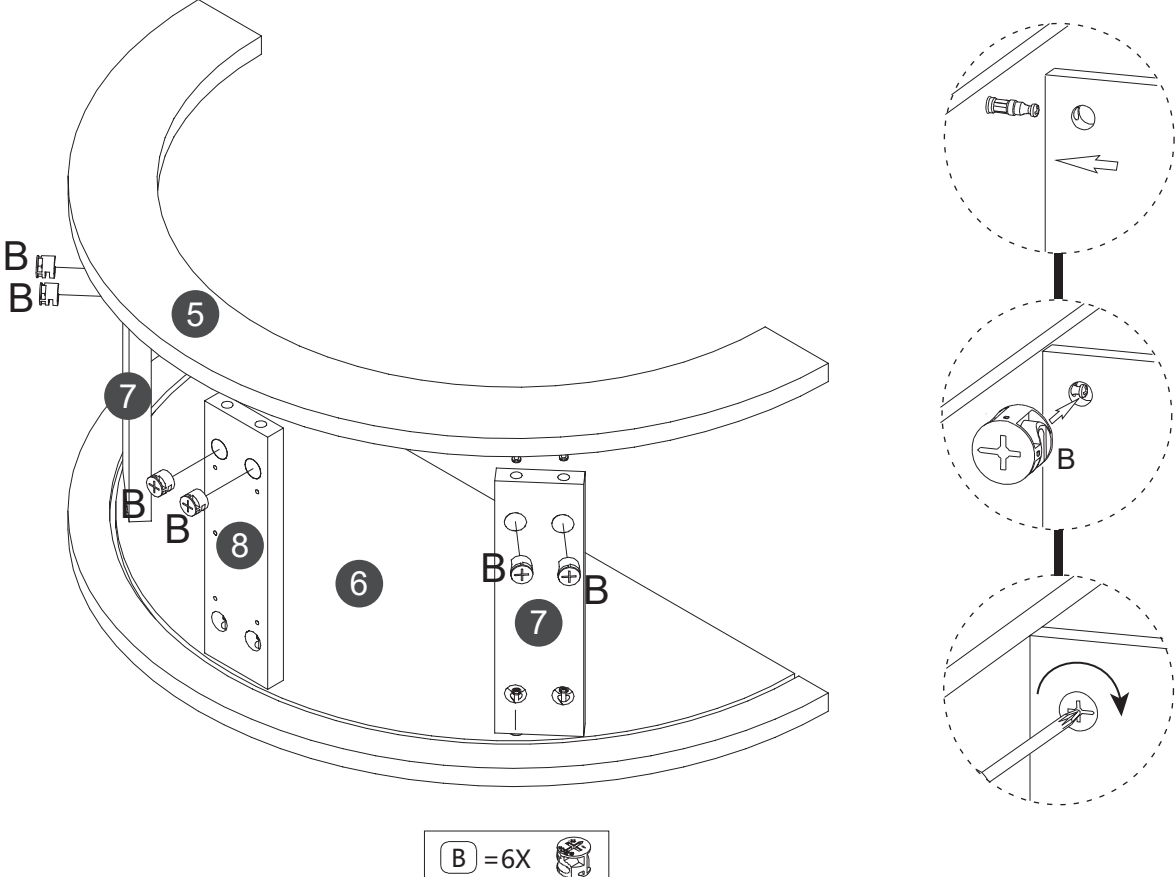
M1 = 2X  N = 4X 

Installation Instructions

STEP 11

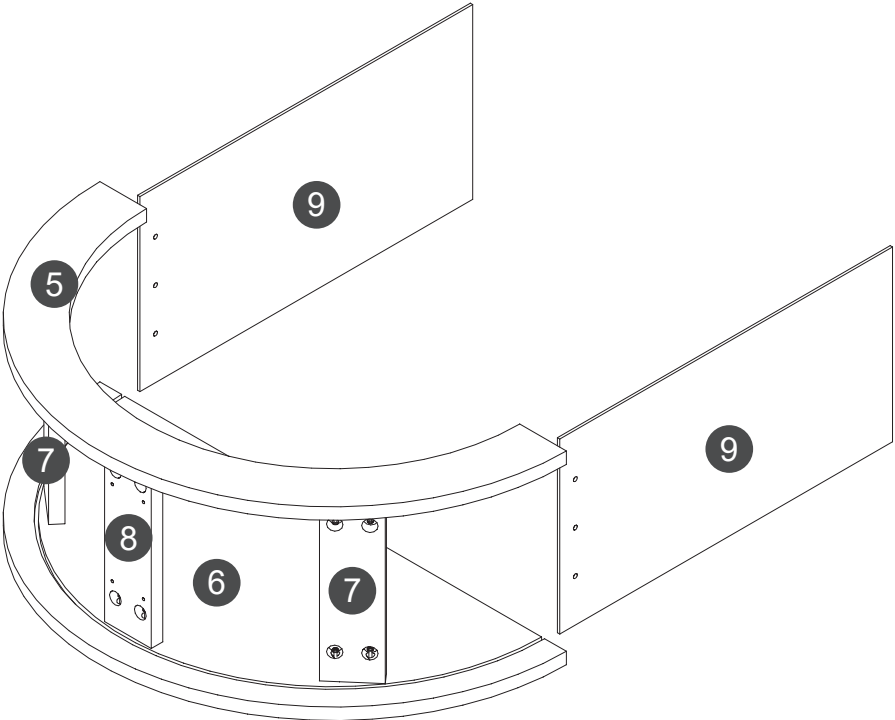


STEP 12

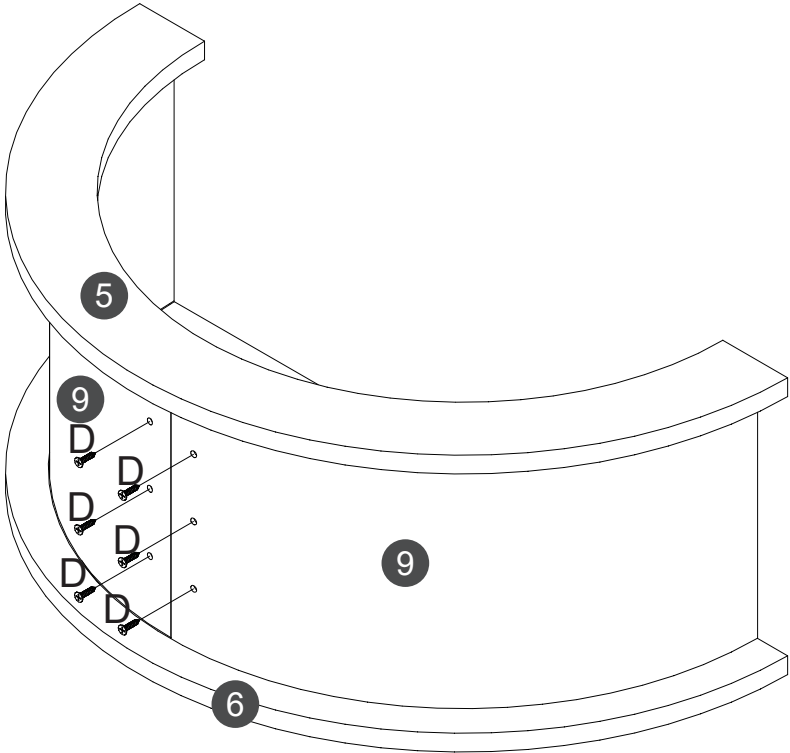



Installation Instructions

STEP 13



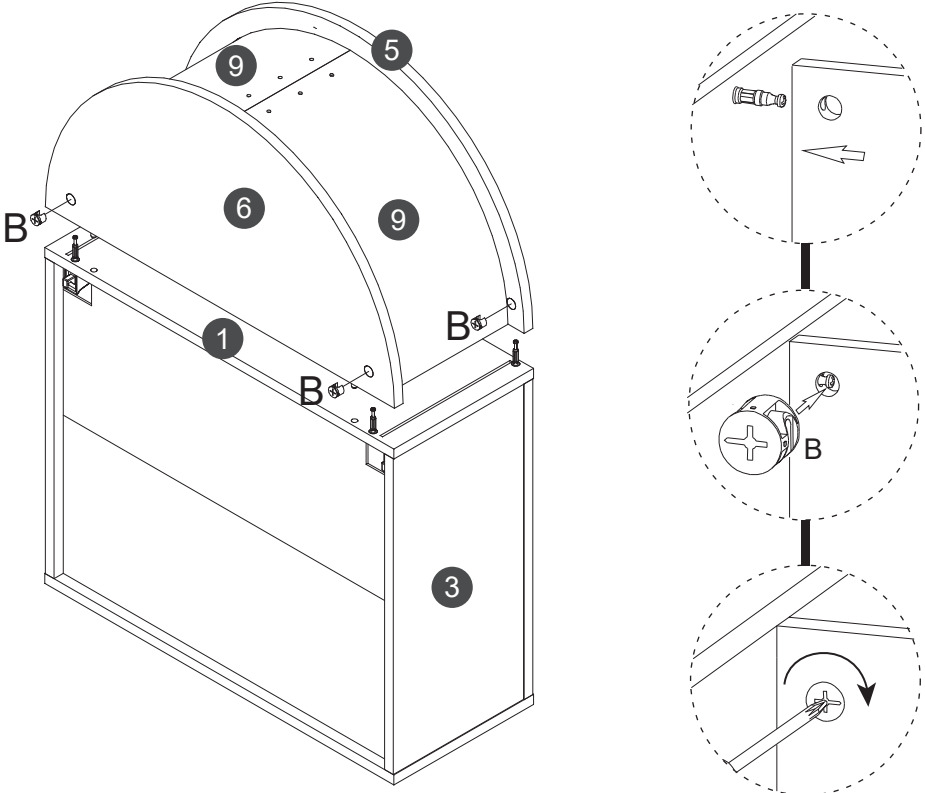
STEP 14




D = 6X 

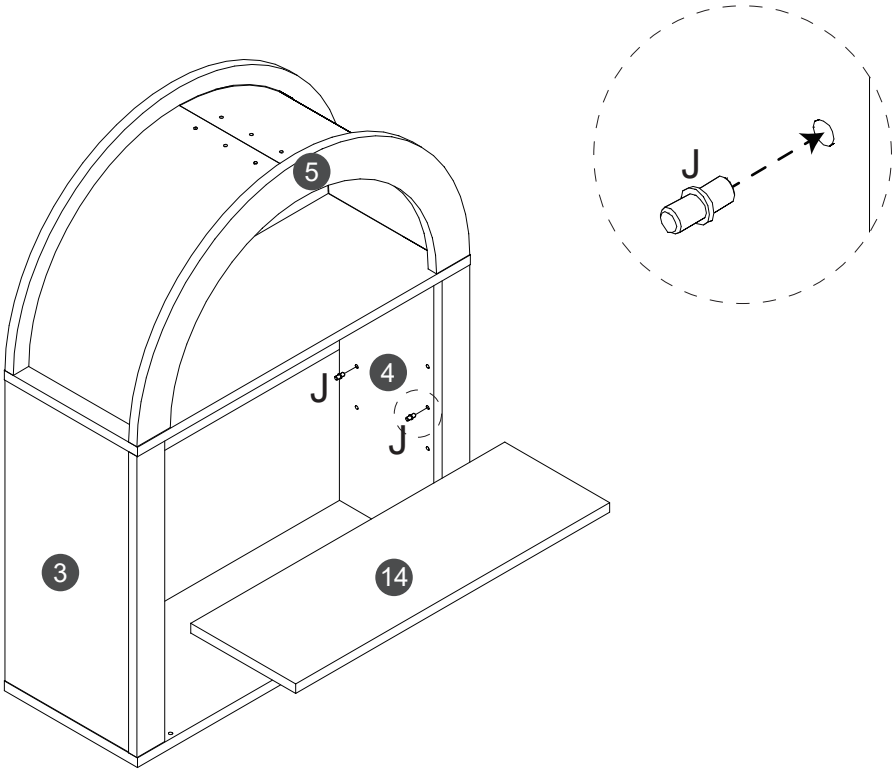
Installation Instructions


STEP 15



B = 6X 

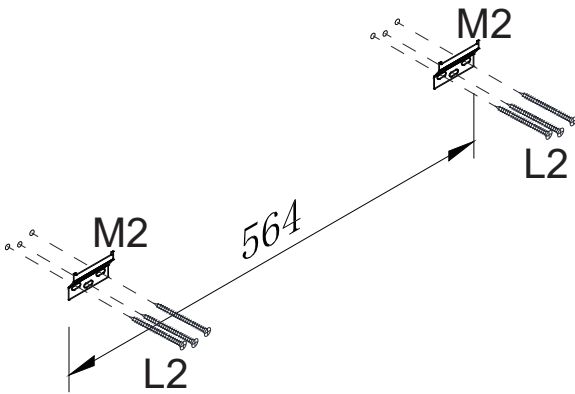
STEP 16

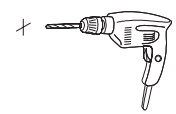
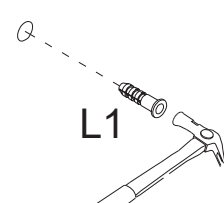


J = 4X 

Installation Instructions

STEP 17

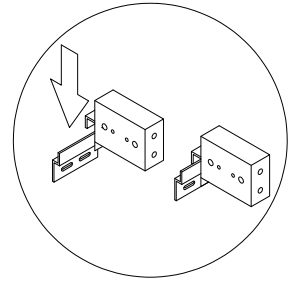
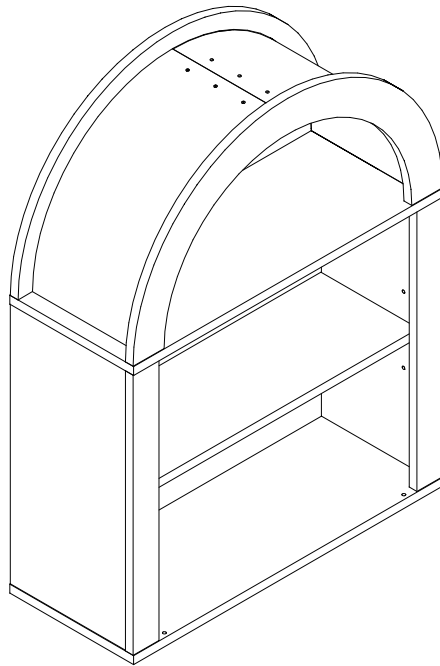


- 1 
- 2 

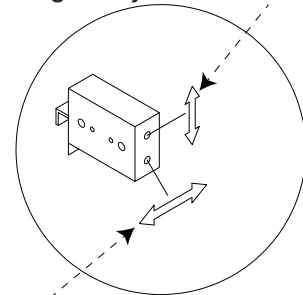
L = 6X			M2 = 2X	
--------	---	---	---------	---

Installation Instructions

STEP 18



Height Adjustment Screw Hole.



Depth Adjustment Screw Hole.

Adjustment & Leveling

The hanger includes built-in adjustment screws. Use a screwdriver to fine-tune the cabinet position:

1. Up/Down Adjustment (Height & Leveling)

Insert a Phillips screwdriver into the height adjustment hole and turn the screw:

Clockwise → Hook rises → Cabinet lifts

Counterclockwise → Hook lowers → Cabinet drops

This allows you to level both sides of the cabinet evenly.

2. Front/Back Adjustment (Wall Alignment)

Insert the screwdriver into the depth adjustment hole and turn to adjust the distance from the wall:

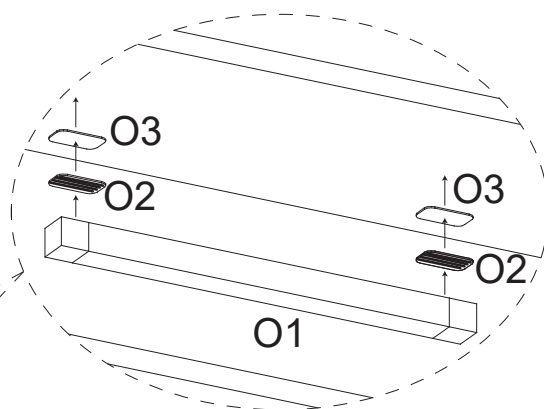
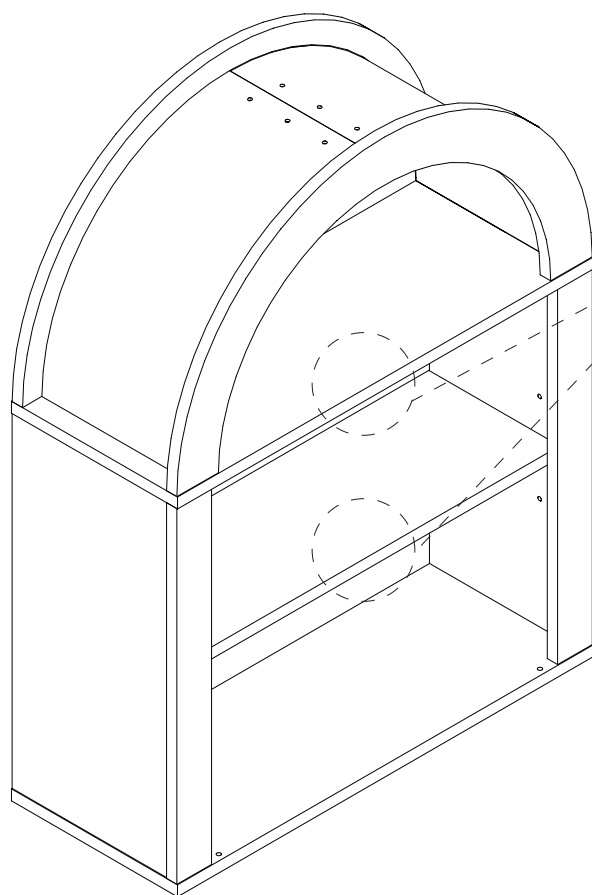
Clockwise → Hook retracts → Cabinet moves closer to wall

Counterclockwise → Hook extends → Cabinet moves away from wall

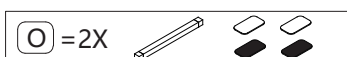
Adjust until the cabinet is level and fits tightly against the wall.

Installation Instructions

STEP 19



Install the magnets and stainless steel sheets in sequence according to the diagram.



Installation Instructions

STEP 20

