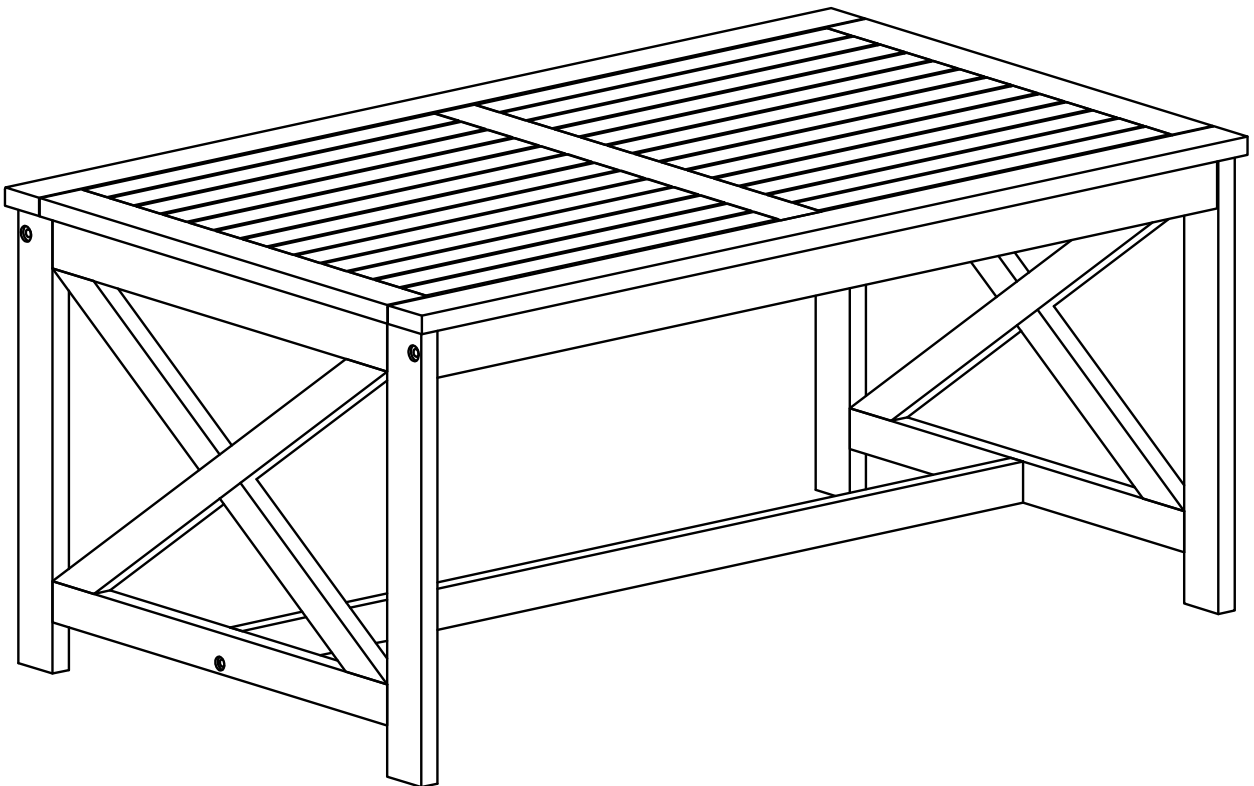


Assembly Instructions

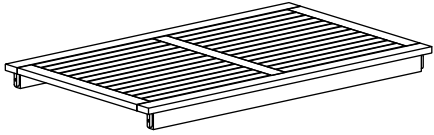
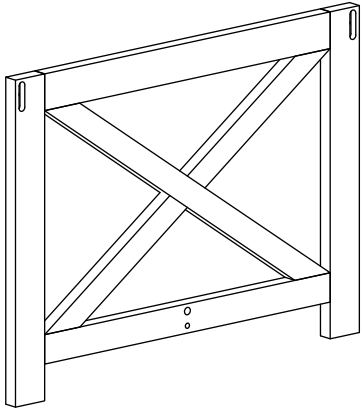
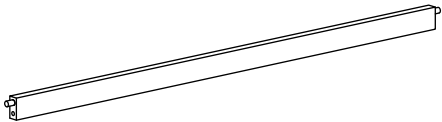
Caution: You must read this before you process

TABLE

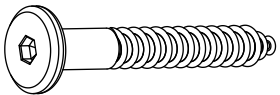



CAUTION : This Table is NOT a TOY.
Keep your child / children at bay during the assembly process.
For moving the Table and to prevent damage to the Table, two adults are needed to execute this action.

Parts List

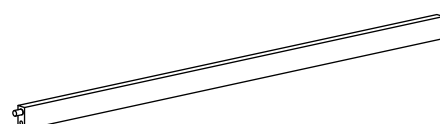
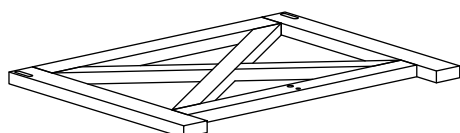
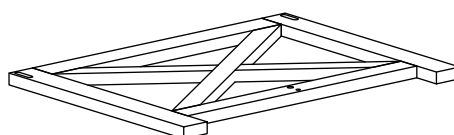
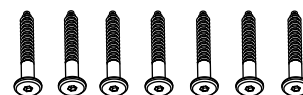
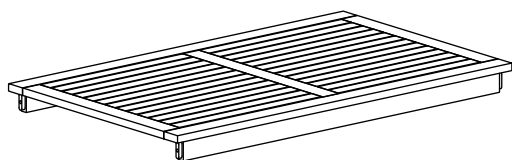
Label	Picture	Description	QTY
A		Table Top	1
B		Leg Frame	2
C		Leg Support Bar	1

Hardware

Label	Picture	Description	QTY
①		Screw (M6x50mm)	7
②		Allen key	1

Assembly Preparation

Before Beginning Assembly:



- Read instructions, cover to cover-



- Have 2 adults on hand for assembly-



- Do not assemble on flooring or carpet-

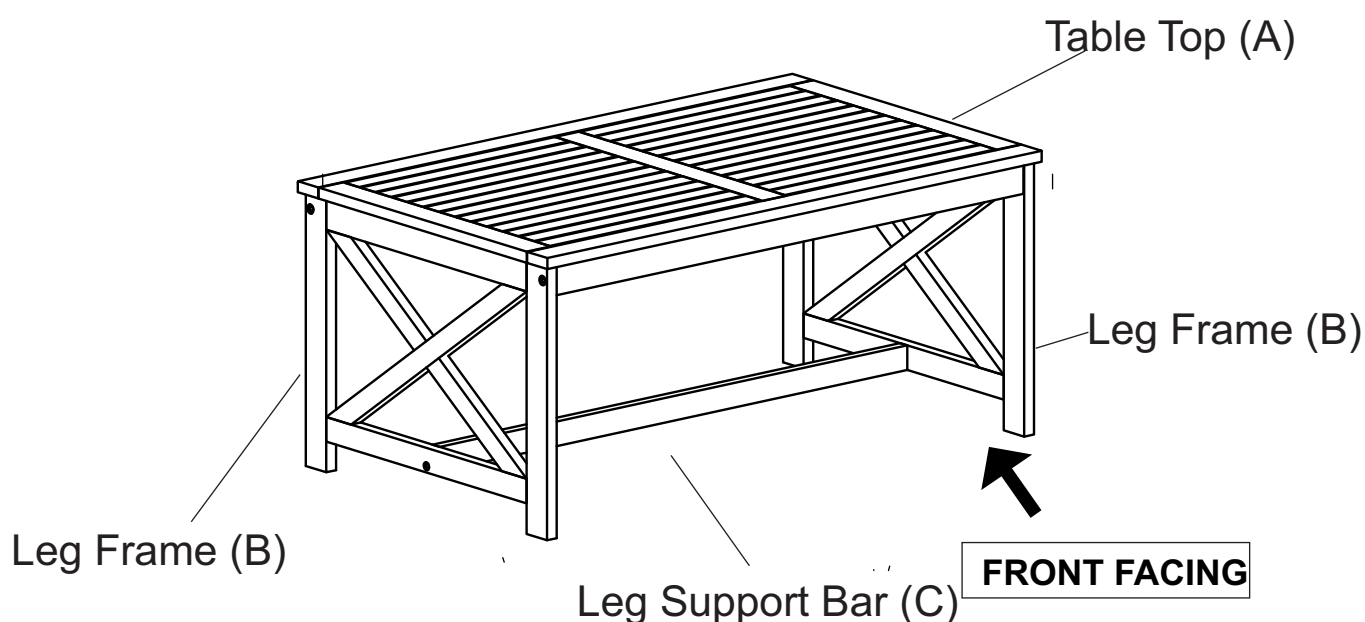


- Assemble on a clean non-marring surface (packing foam)-



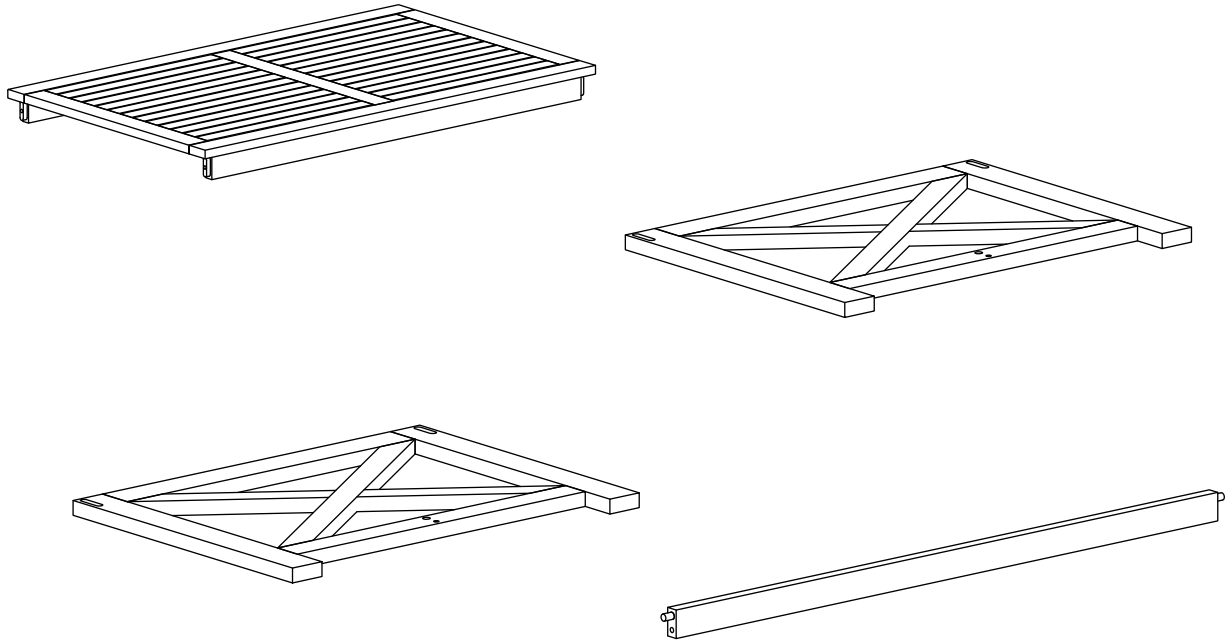
- Save all packaging until finished-

Assembly Steps



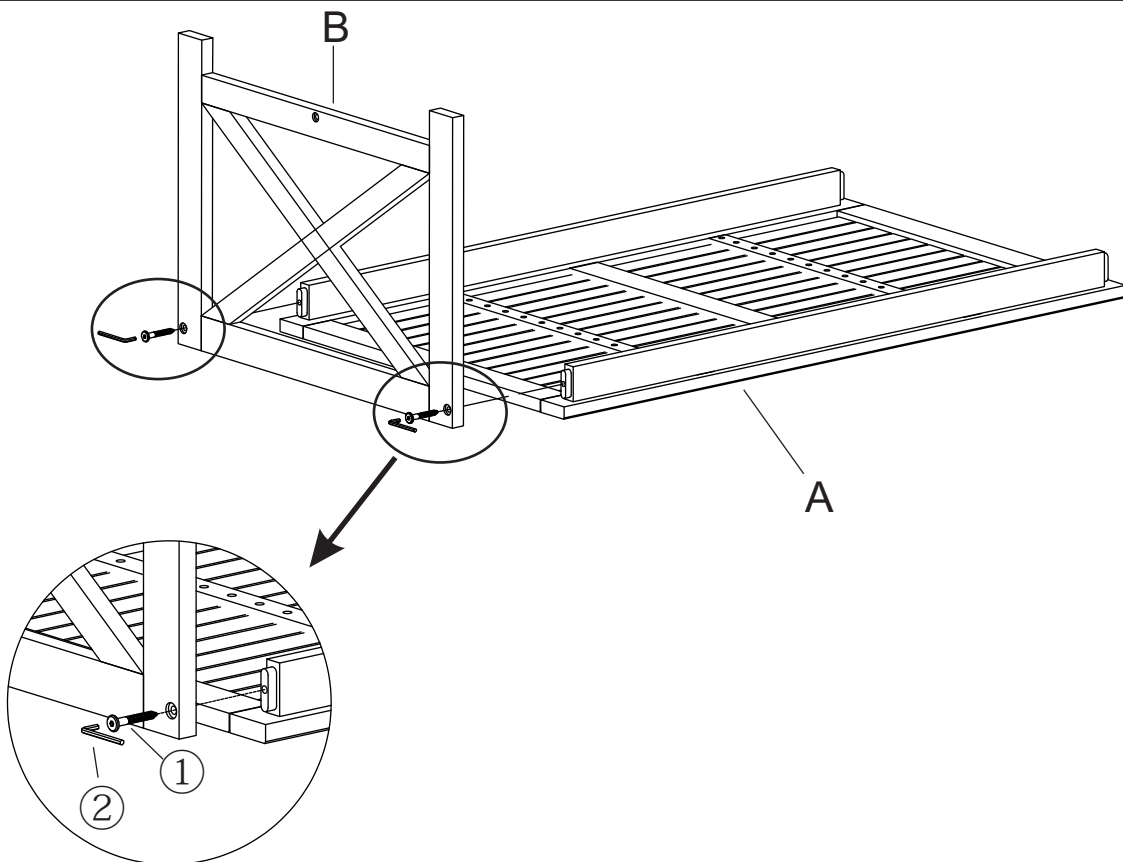
This Table has multiple parts and may require up to 30 minutes to assemble. To give you an overview of the Table parts, the above picture is to help you put the various parts into perspective. Please read through the instructions below to familiarise yourself with the parts and steps before assembly.

Step 1



Unpack and place all parts on a clean, non-marring surface.

Step 2



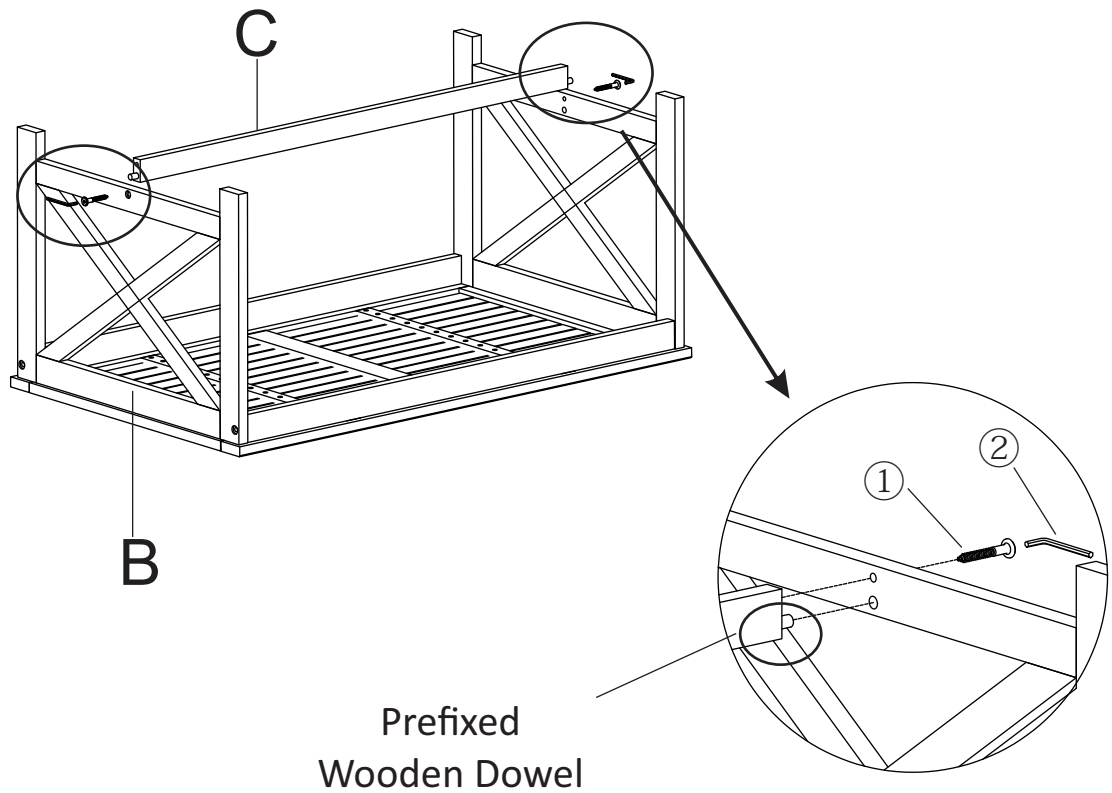
Attach Leg Frame (B) to the Table Top (A) as pictured above.

Secure Leg Frame (B) to the Table Top (A) by Screw (①) and Allen Key (②)

Do not fully tighten the Screws.

Repeat the same process with the other Leg Frame (B).

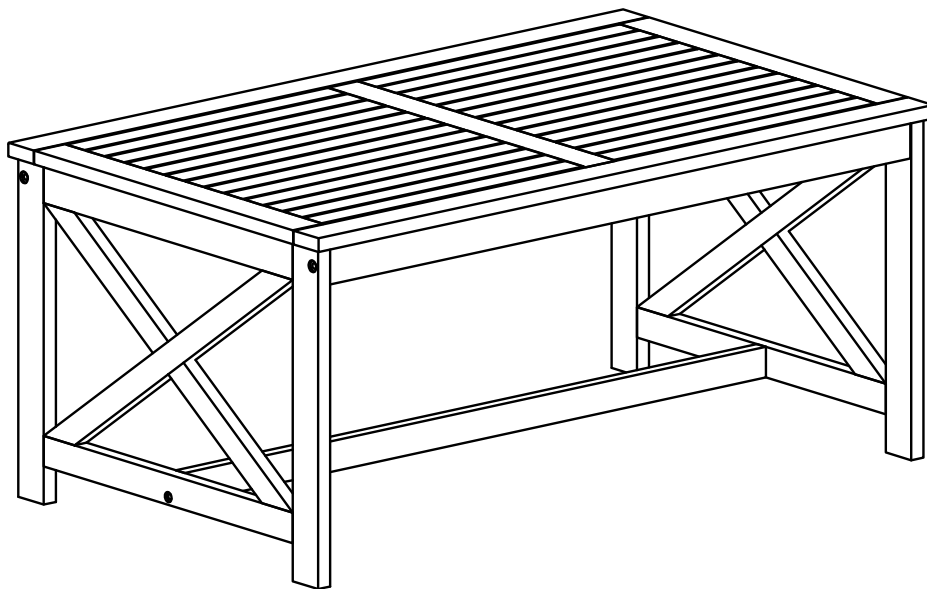
Step 3



Attach Prefixed Wooden Dowel of Leg Support Bar (C) to Leg Frames (B) as pictured above.

Secure Leg Support Bar (C) to Leg Frames (B) by Screw (①) and Allen Key (②)
Do not fully tighten the Screws.

Step 4



Turn the table right side up.










Check for wobbles.

In a sequential manner, gradually tighten all Screws until evenly secured.
Inspect and make sure all parts are locked into position

Your Table is ready for use.

This Table can only be used on a flat, level surface.

Care & Maintenance

- ⊗  ● Do not put hot items directly on furniture surface.
 - ⊗  ● Do not clean furniture with harsh cleansers or polish.
 - ✓  ● To obtain the longest lifespan of your outdoor products, minimizing exposure to direct sunlight is recommended.
 - ⊗  ● Children should not climb or jump on the furniture.
 - ⊗  ● Do not write on furniture without a padded barrier to protect the surface.
 - ✓  ● To obtain the longest lifespan of your outdoor products, avoid extended and lengthy exposure to rain, snow, and direct sunshine. Whenever possible cover the product and /or place under patio or awnings.
 - ⊗  ● Not for commercial use. For residential use only.
 - ⊗  ● Stains may be removed with mild soap solution and damp cloth.
 - ✓  ● Dust and pick-up spills using a clean, non-colored, lint-free cloth .
-