

User Manual

Tree Book Shelf
Model: BC2023W2-VT

For tutorial videos, customer service, extended 12-month warranty, and more information, please visit:

<https://www.sunmory.com>

Or scan the QR code below:



Please scan the QR code beside:



Importer: Shenzhen Yioumai Technology Co.,Ltd.

Address: 2nd Floor, Building 9, Fu'an Phase II Industrial City, Xin Tian Community, Fuhai Street, Bao'an District, Shenzhen City, Guangdong Province, China

Manufacturer: HUIZHOU QIANDAO HOUSEHOLD CO., LTD.

Address :Liushu Industrial Zone, Shenli Village, Yuanzhou Town, Boluo County, Huizhou City, Guangdong Province, China



Made in China



@sunmory_official



@Sunmory



@Sunmory Home



us@sunmory.com

Thank you for buying and using SUNMORY products. For your safety and benefit, please read the instruction manual carefully before using this product. This instruction manual contains complete instructions for installing and operating your fan. You can scan the QR code on the last page of the manual, or go to our official website to view the installation video.

We are here to help! Contact us at: us@sunmory.com

Cautions

1. When opening the package with a sharp tool like a utility knife, be careful not to damage the components inside.
2. Keep all hardware parts and packaging out of the reach of small children
3. Please check whether the packing list is complete. If there are missing or damaged accessories, please contact us at: us@sunmory.com.
4. Choose a clean, level spacious assembly area. Avoid hard surfaces that may damage the product.
5. After finishing the assembly, place the product on a flat surface and ensure it is stable before use.
6. Do not allow children to play with this product.
7. If you have any question, please contact us at: us@sunmory.com.

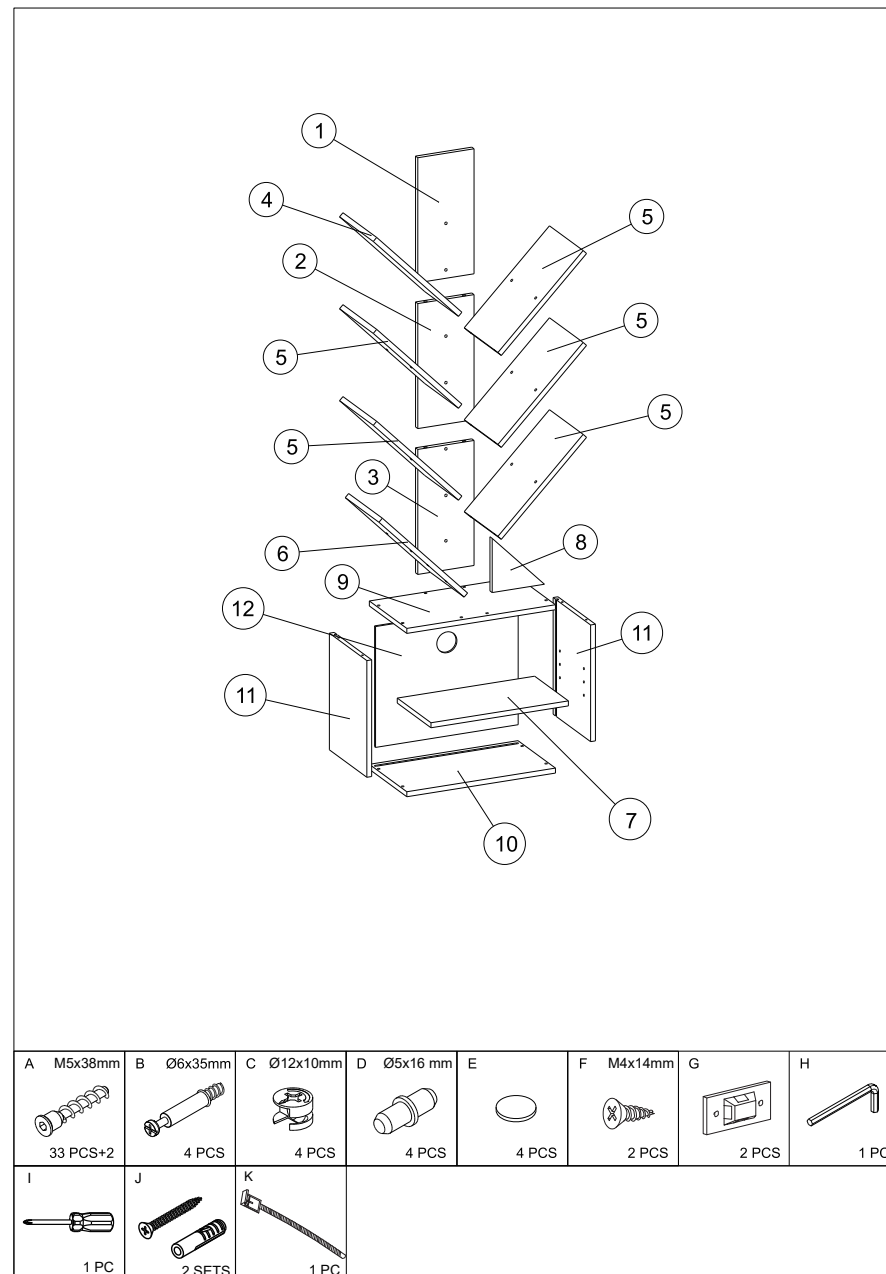
Please ensure that the wall thickness is greater than 4cm before using the accompanying expansion screws (J) to avoid potential damage or unstable installation.

Cleaning & Maintenance

1. Prolonged exposure to heat sources may cause glazing, melting, and scorching, or even cause the color to fade.
2. Wipe with a clean cloth to remove dust.
3. Periodically (every 90 days), make sure that the screws are fully tightened.

Warranty

Make it cozy, make it home. Which is the goal that we have been pursuing. We'd like to provide the best product and service to you, We provide a 12-month warranty for you. If you have any questions or suggestions, please feel free to contact us at: us@sunmory.com.



1. Assemble board ④ and one board ⑤.
Ensure that all the holes on the side of the wooden boards are on the same surface, and the holes of board ⑤ are to the right of board ④ (as shown in the example picture).

A M5x38mm
2 PCS

2. Assemble the remaining board ⑤ and one board ⑥.
Ensure that all the holes on the side of the wooden boards are on the same surface, and these holes are arranged in a basically straight line.

A M5x38mm
10 PCS

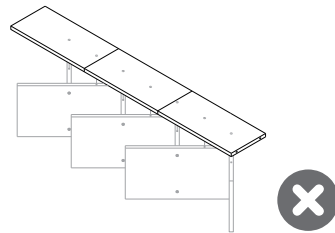
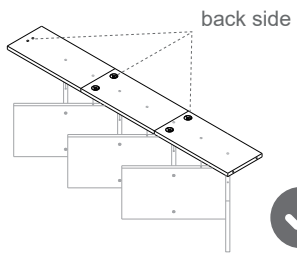
3. Insert screw B into boards ① and ②.

B Ø6x35mm
4 PCS

4. Connect boards ①, ②, and ③ in sequence and tighten them with screw C.
Note: Make sure the anti-tip lock hole on the board ① and the hole of screw C are on the same surface.

C Ø12x10mm
4 PCS

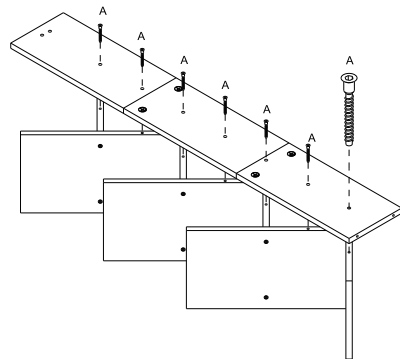
5.1 Assemble the main frame of the bookshelf with the back panel (boards ①, ②, and ③).



Note: Please make sure the front and back sides of the back panel are not reversed during assembly.

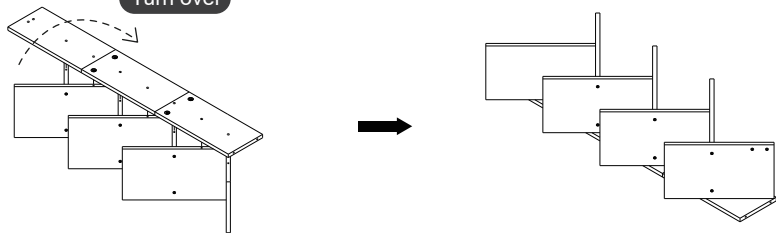
5.2 Fix the main frame of the bookshelf and the backboard with screw A.

Note: The holes on the main frame and the backboard should correspond one-to-one. If you find that the holes are not aligned, please check if the main frame is assembled correctly (step 1 and 2). Or contact us to replace the parts.



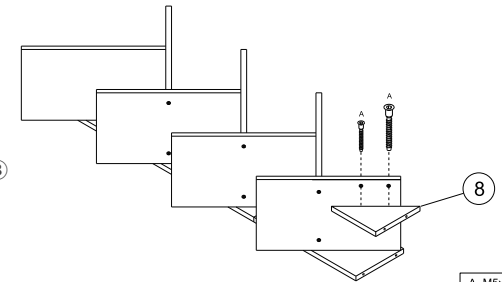
A M5x38mm
7 PCS

Turn over



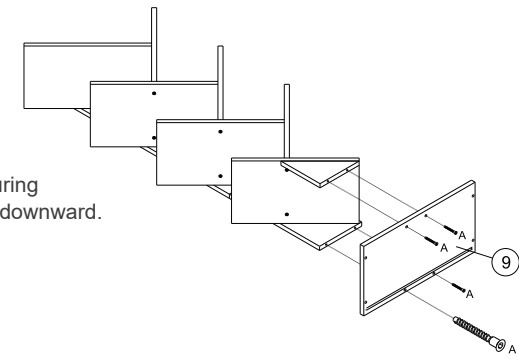
6. Turn the bookshelf over so that the tree-shaped structure is facing upward.

7. Connect the longest edge of board ⑧ with board ⑥, ensuring that the other two holes on board ⑧ are facing downwards.



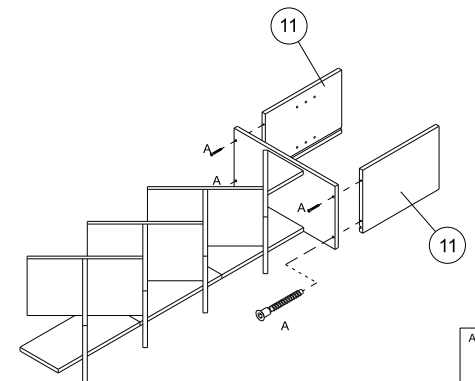
A M5x38mm
2 PCS

8. Assemble board ⑨, ensuring that the grooves are facing downward.



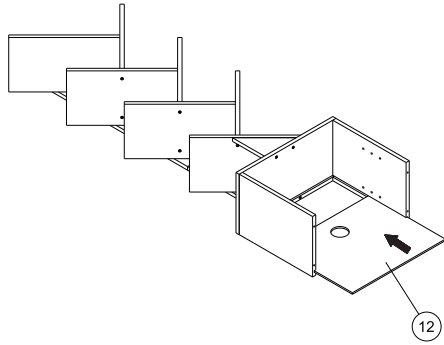
A M5x38mm
4 PCS

9. Assemble board ⑪, ensuring that the grooves are facing downward.

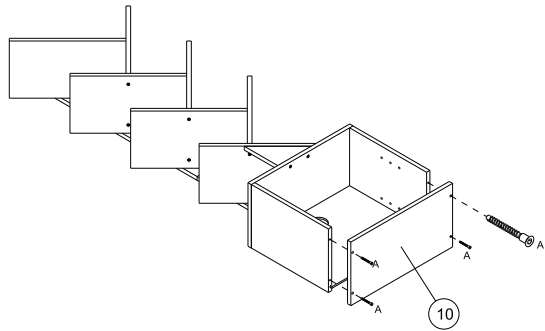


A M5x38mm
4 PCS

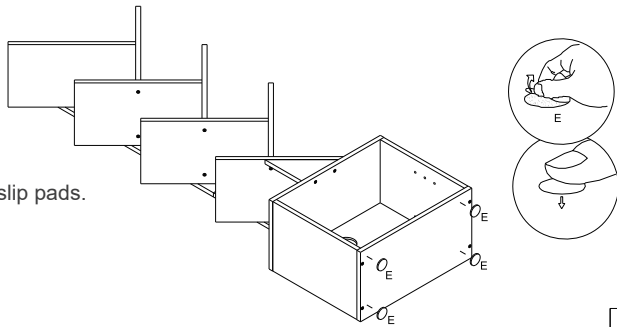
10. Insert board ⑫ into the grooves.



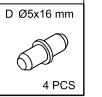
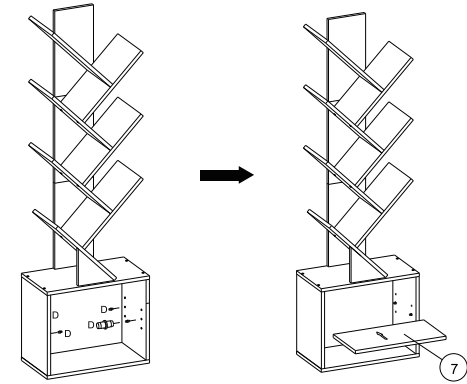
11. Assemble board ⑩.



12. Assemble the anti-slip pads.



13. Assemble board ⑦.



14. Install anti-fall kit.

