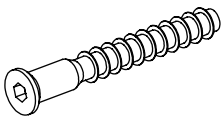
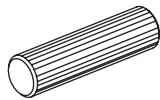


Ax4



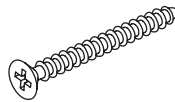
$M7 \times \frac{60}{2.4}$

Bx6



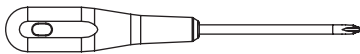
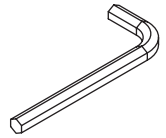
$\Phi 8 \times \frac{30}{1.2}$

Cx12



$\Phi 4 \times \frac{40}{1.6}$

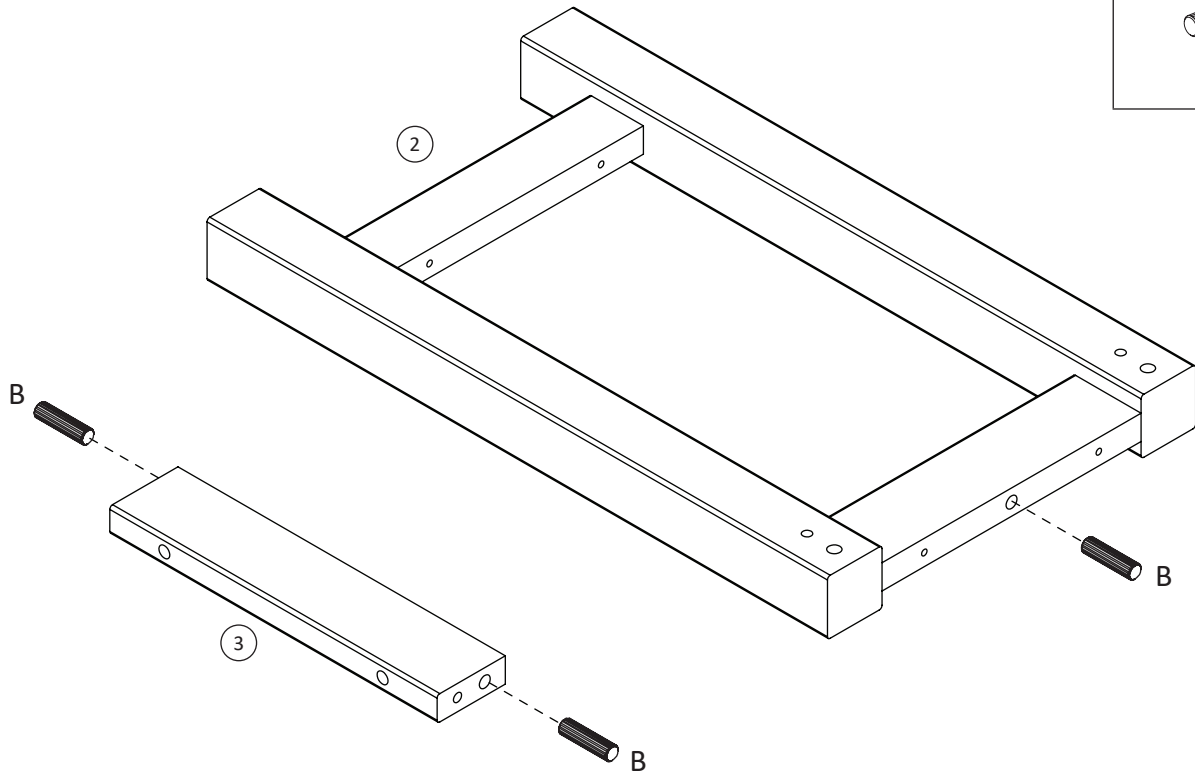
Dx1



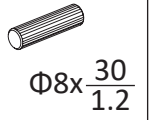
0 5 10 15 20 25 30 35 40 45 50 55 60 65 70 75 80 85 90 95 100 105 110 115 120 125 130 135 140 145 150 155 160 165 170



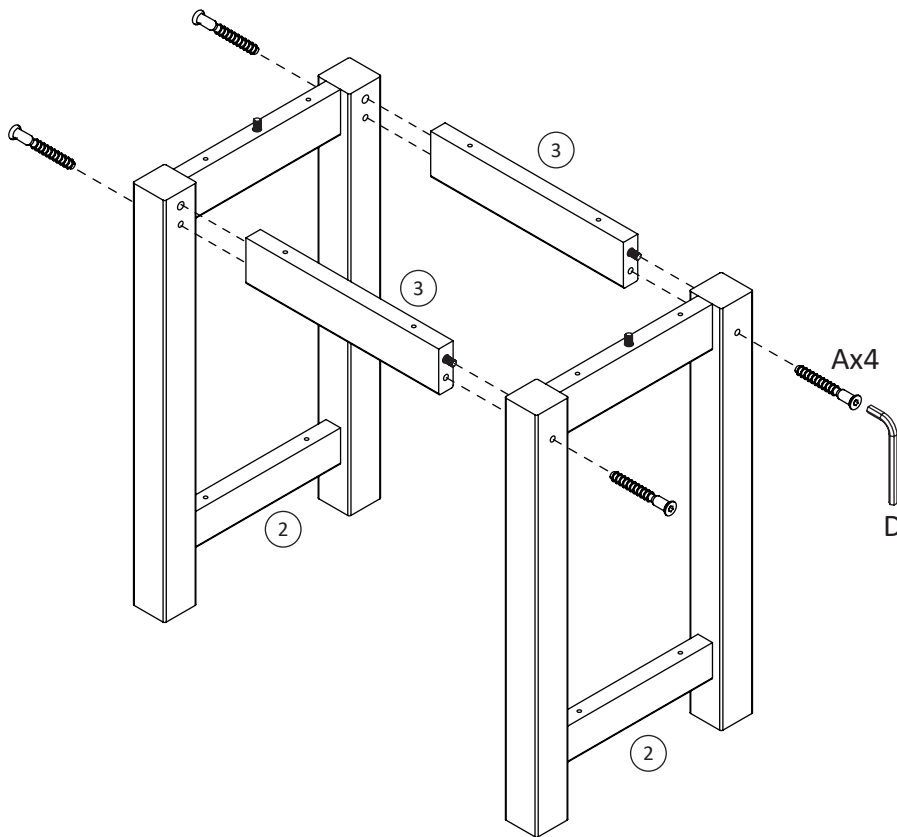
1 x2



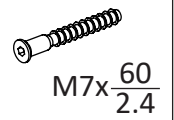
Bx6



2



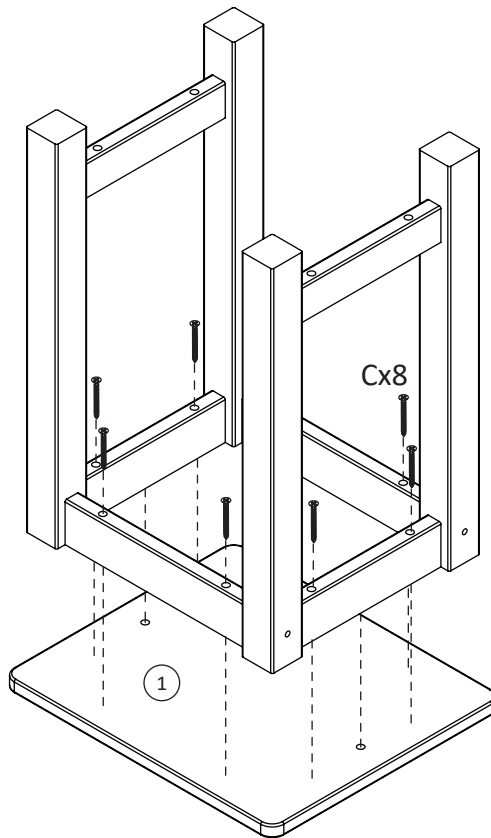
Ax4



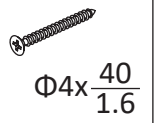
Dx1



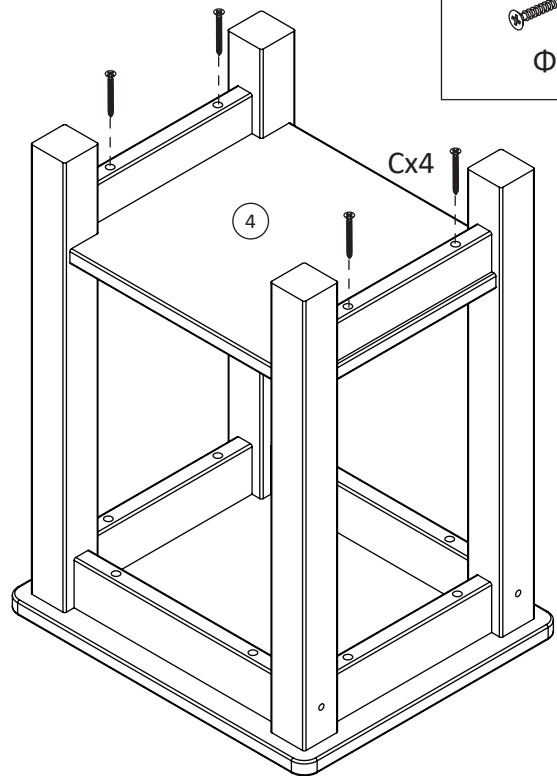
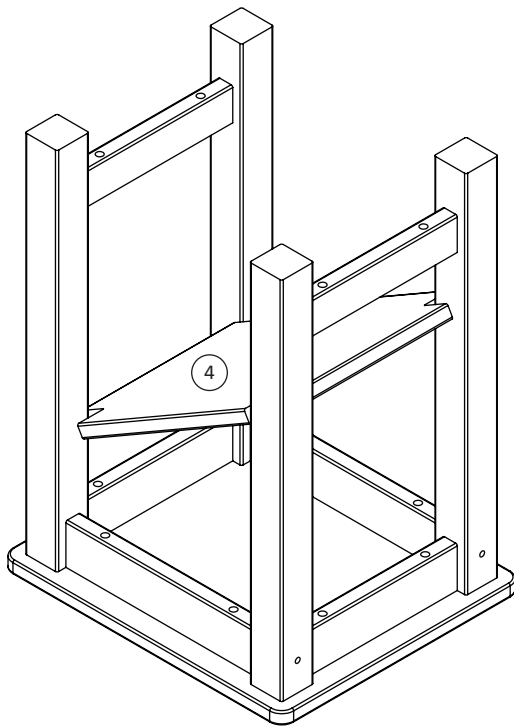
3



Cx8



4



Cx4

