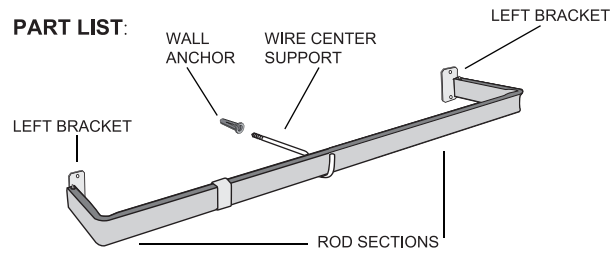
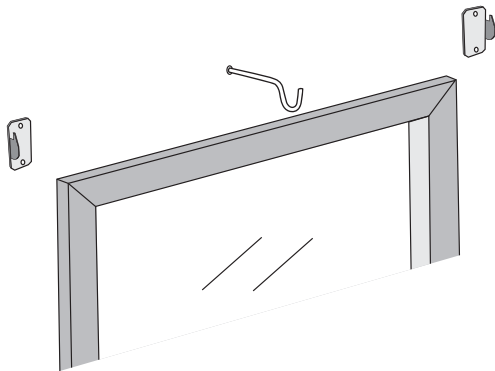


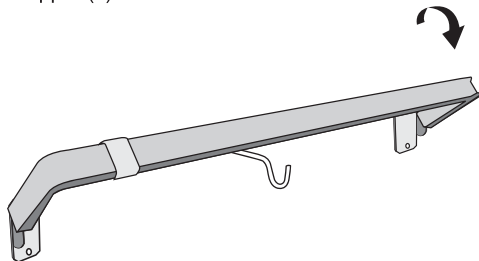
## Single Curtain Rod



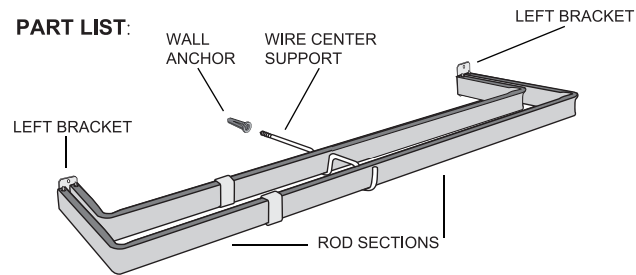
- 1 Mark locations where wall bracket and center support holes will be. Drill 1/8" hole at each of these locations. Insert wall anchor in each hole.
- 2 Attach brackets to wall or window frame. Attach all center support(s) evenly spaced between brackets.



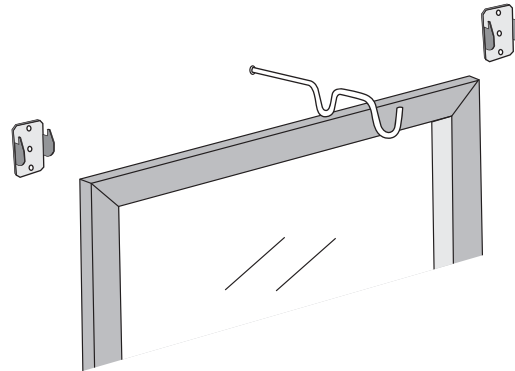
- 3 Slide rod sections together. Hook onto right and left brackets and swing down. Rod should rest on center support(s).



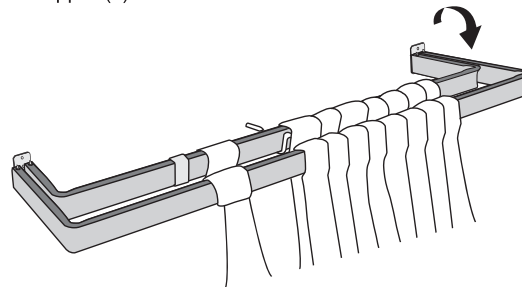
## Double Curtain Rod



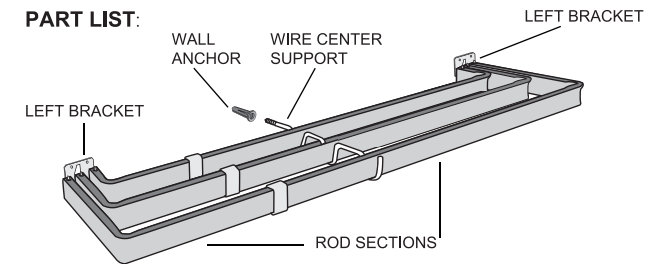
- 1 Mark locations where wall bracket and center support holes will be. Drill 1/8" hole at each of these locations. Insert wall anchor in each hole.
- 2 Attach brackets to wall or window frame. Attach all center support(s) evenly spaced between brackets.



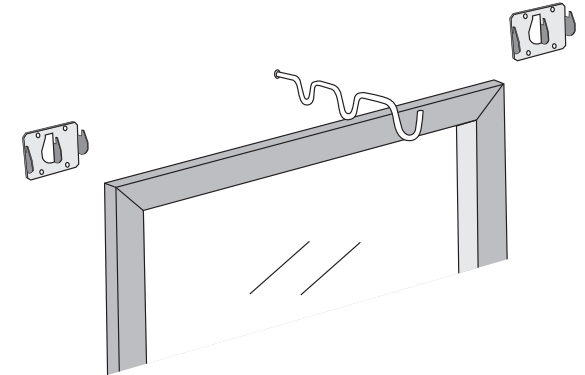
- 3 Slide rod sections together. Hook onto right and left brackets and swing down. Rod should rest on center support(s).



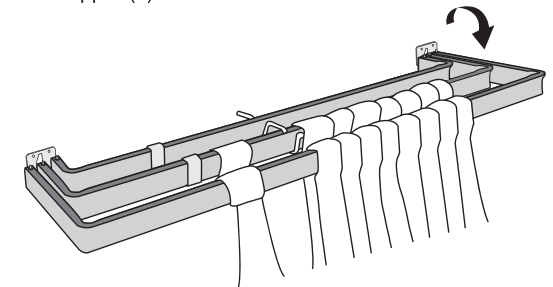
## Triple Curtain Rods



- 1 Mark locations where wall bracket and center support holes will be. Drill 1/8" hole at each of these locations. Insert wall anchor in each hole.
- 2 Attach brackets to wall or window frame. Attach all center support(s) evenly spaced between brackets.



- 3 Slide rod sections together. Hook onto right and left brackets and swing down. Rod should rest on center support(s).



### NOTE

<sup>1</sup>. 18-28 inch and 28-48 inch doesn't include wire center support. <sup>2</sup>. If needed, use extender and extra support(s).