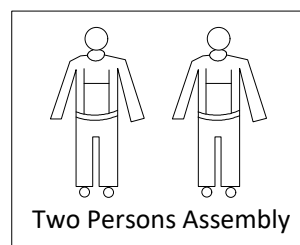
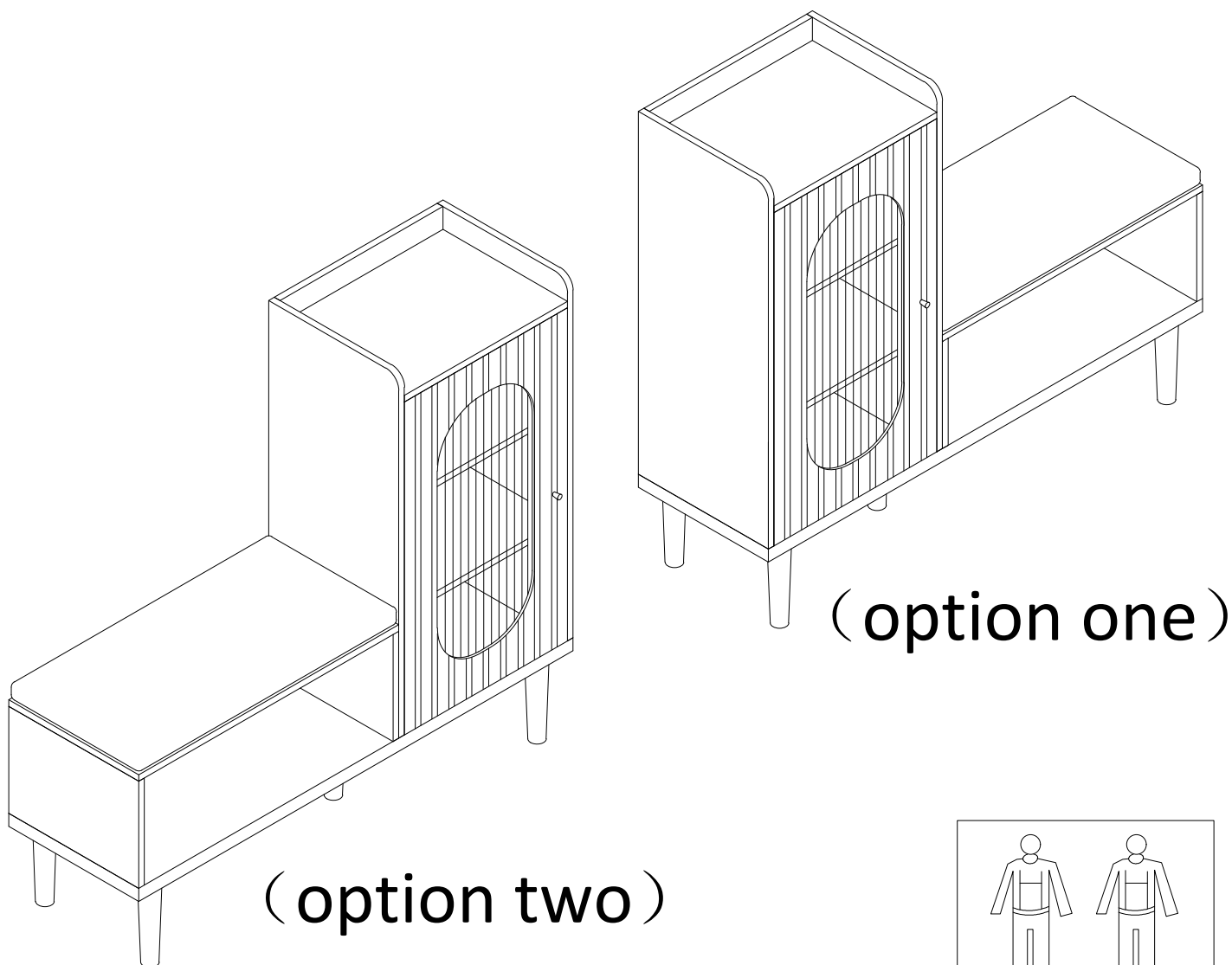


ASSEMBLY INSTRUCTIONS

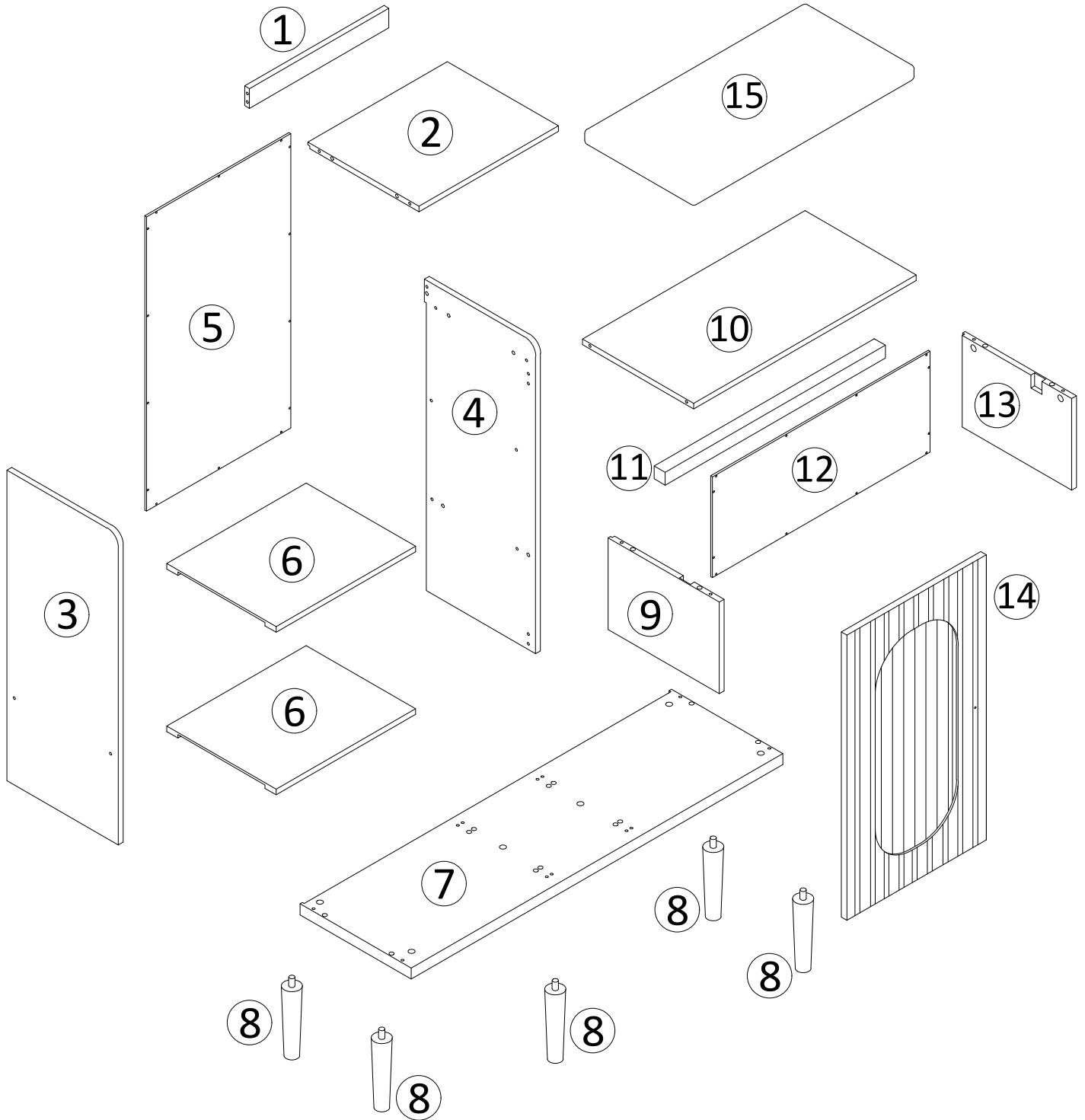
There are two different ways to assemble this product :

Option one: if you'd like to fix the seat on the right side of the cabinet, when you complete the step 4, in the following, please refer the step 5 to step 12 to assemble this product.

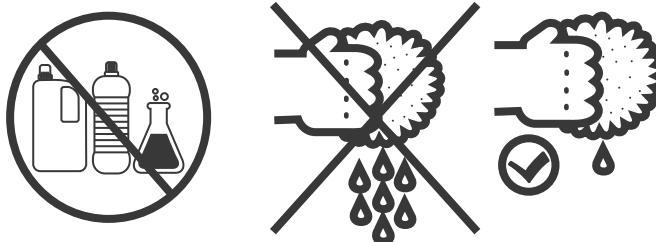
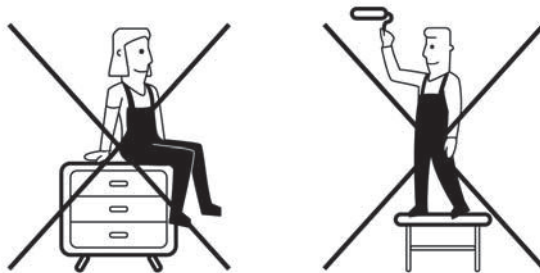
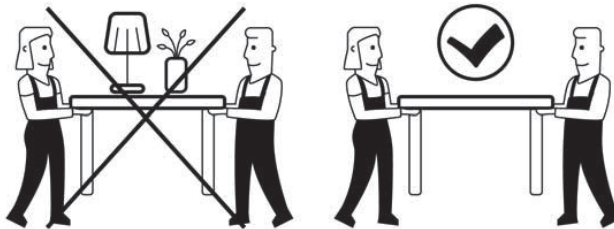
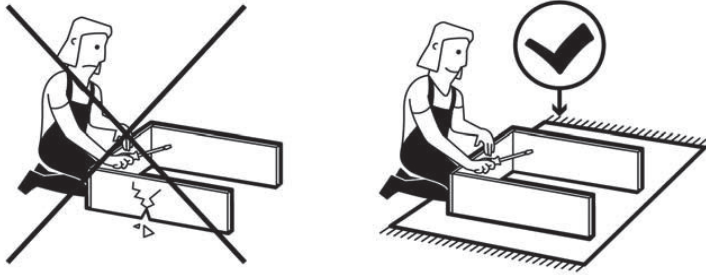
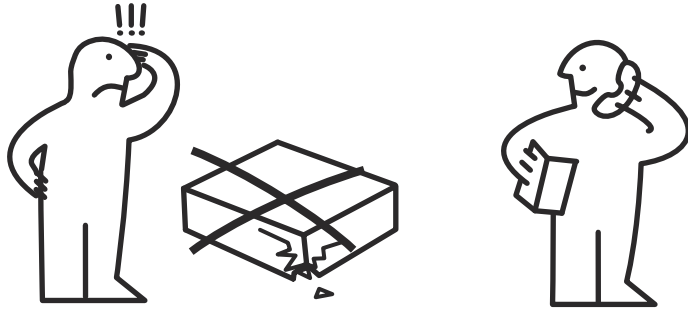
Option two: if you'd like to fix the seat on the left side of the cabinet, when you complete the step 4, in the following, please refer the step 13 to step 20 to assemble this product.



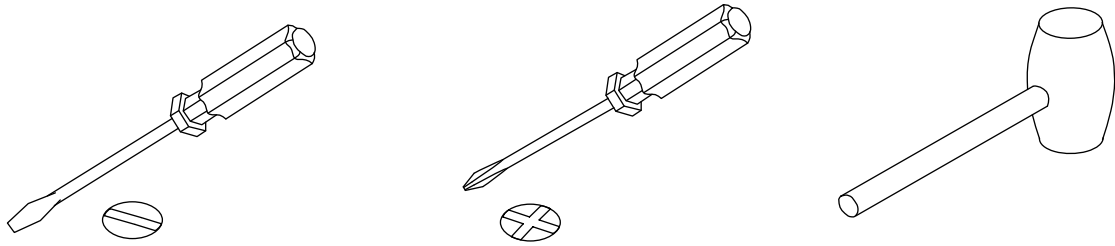
Laying out all the parts and hardware and identifying each part as shown below. It may help you when you assemble the item.



① × 1	② × 1	③ × 1	④ × 1	⑤ × 1	⑥ × 2
⑦ × 1	⑧ × 5	⑨ × 1	⑩ × 1	⑪ × 1	⑫ × 1
⑬ × 1	⑭ × 1	⑮ × 1			

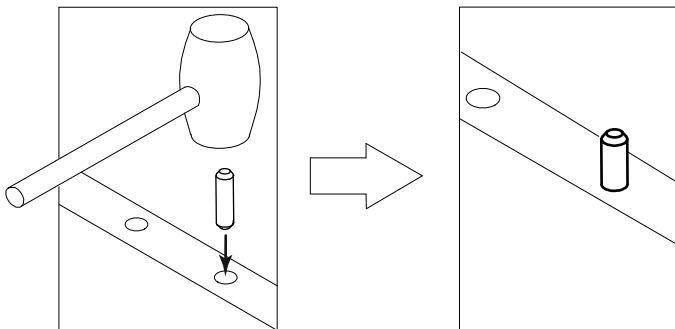


ASSEMBLY TOOLS REQUIRED (NOT INCLUDED)



- * Before discarding packing materials, please check all parts and hardware are presented.
- * Please follow the instructions closely.
- * After few days of initial assembly, the product may have acclimated to new environment, please tighten all hardware again.

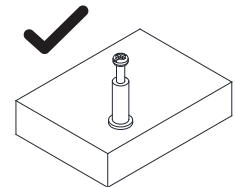
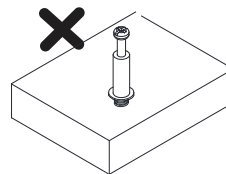
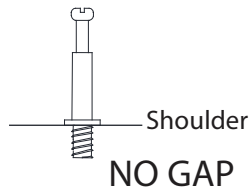
Dowel Installation



Gently tap dowel into hole with rubber mallet.

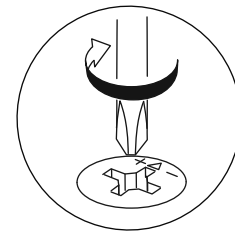
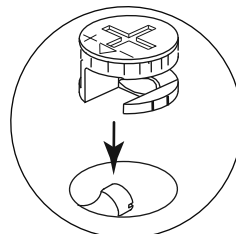
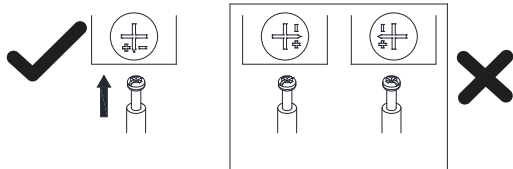
CAM-LOCK

Tighten until shoulder is flush with panel. Do not overtighten or undertighten



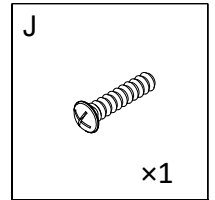
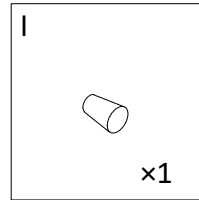
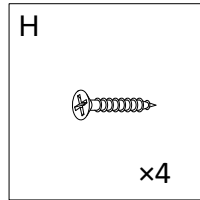
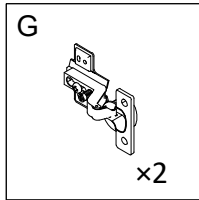
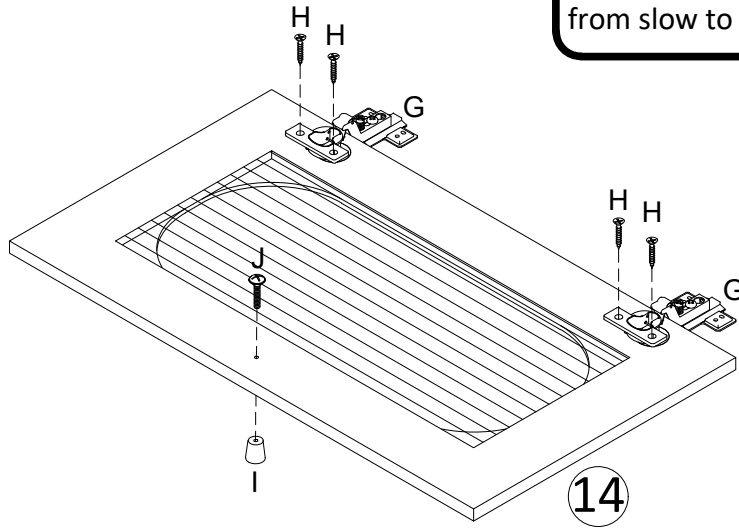
WHEN FITTING CAMS

ENSURE STARTING POSITION IS CORRECT BEFORE YOU INSERT CONNECTING CAM-PILLAR
TURN CLOCKWISE UNTIL SECURE



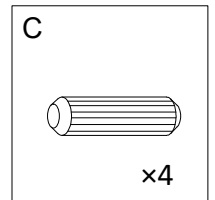
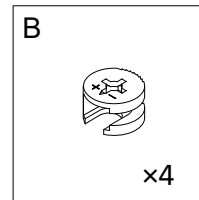
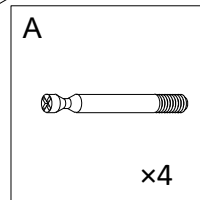
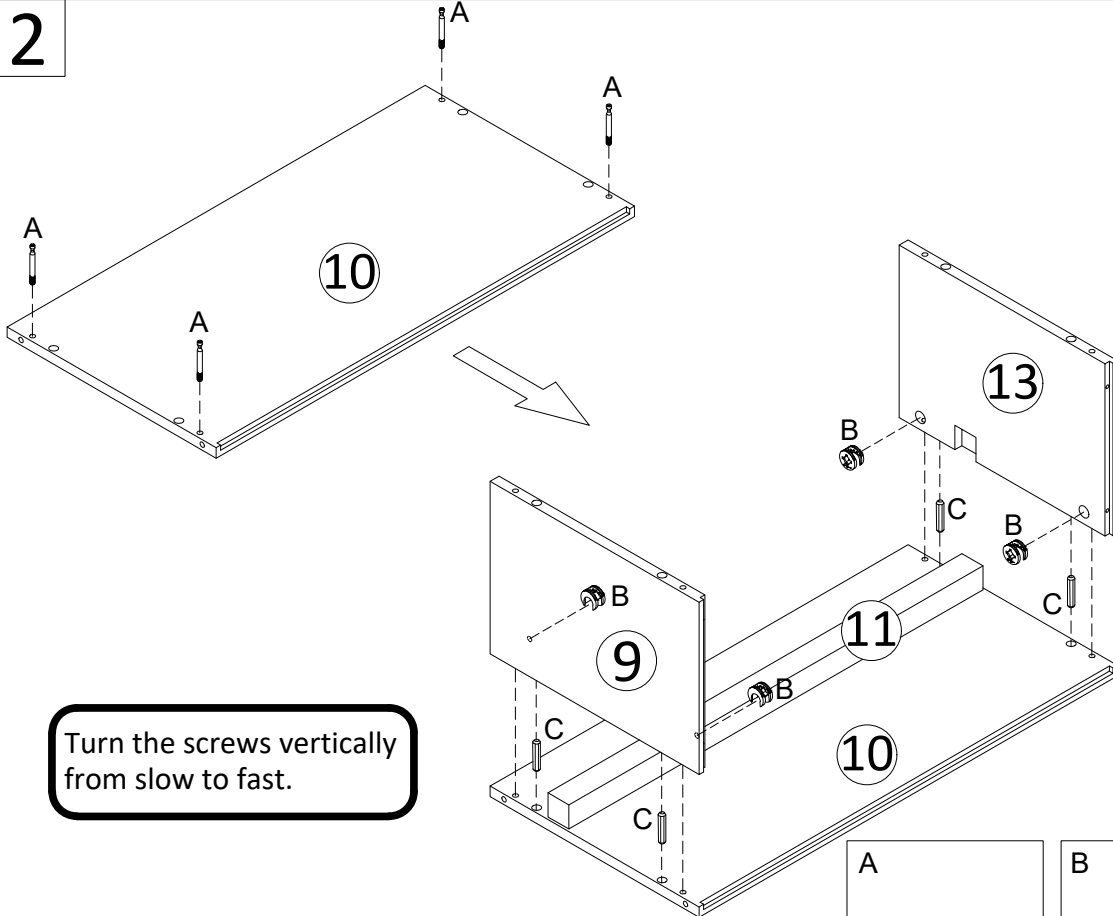
1

Turn the screws vertically from slow to fast.



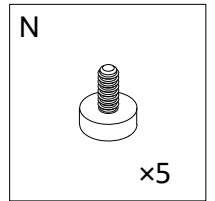
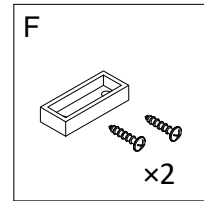
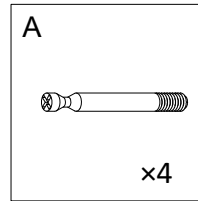
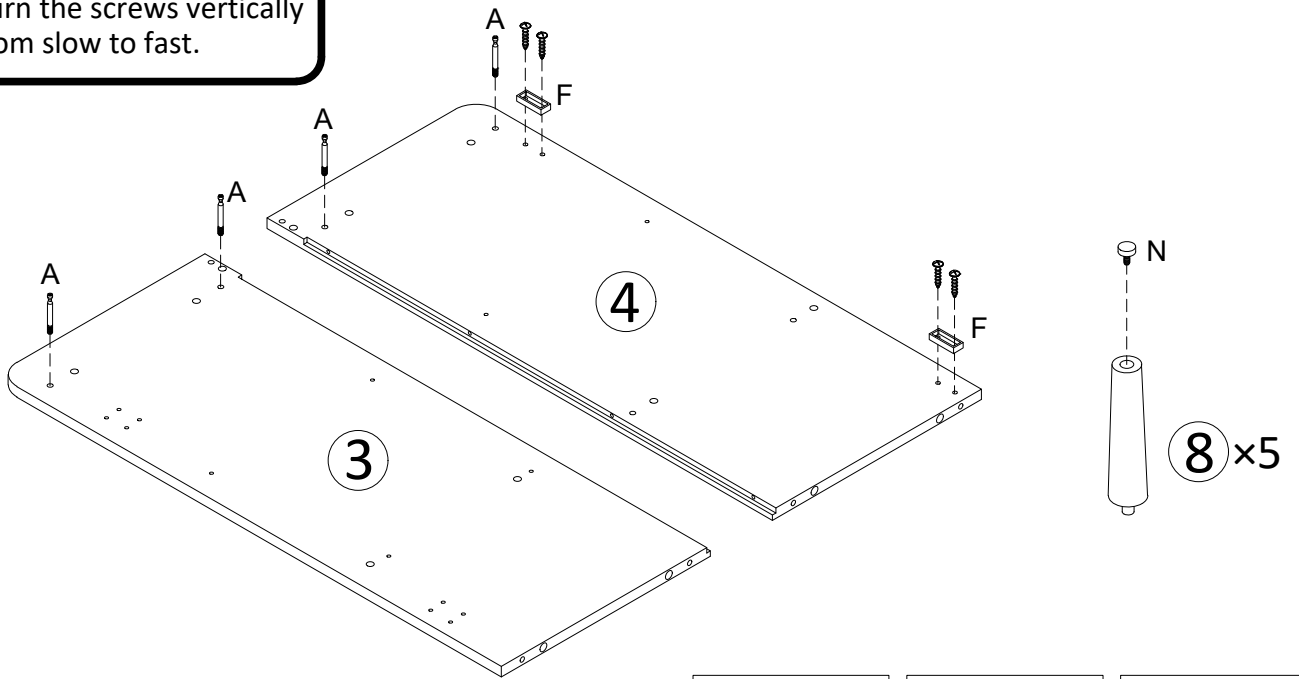
2

Turn the screws vertically from slow to fast.

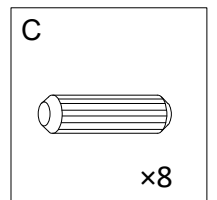
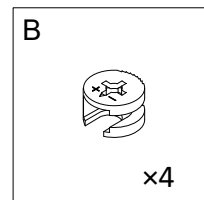
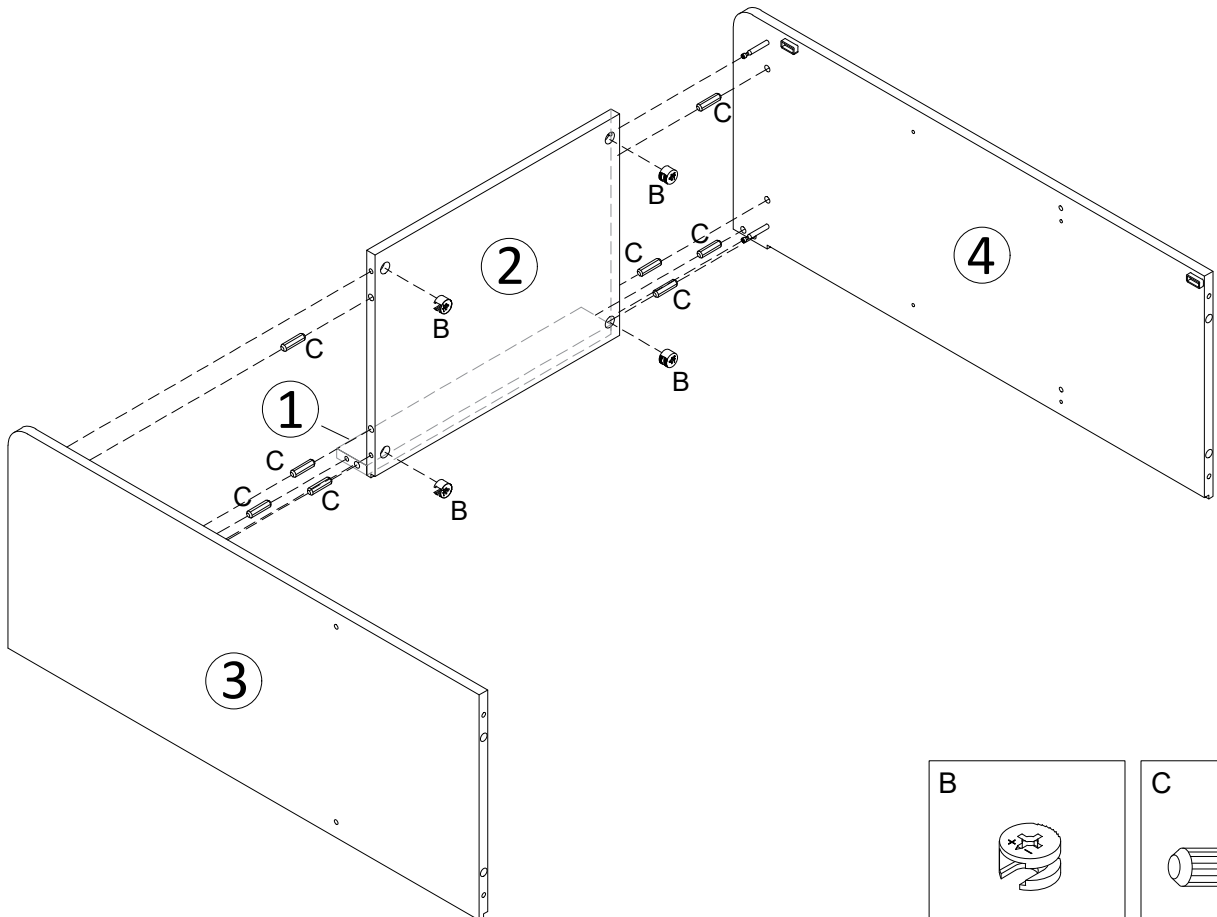


3

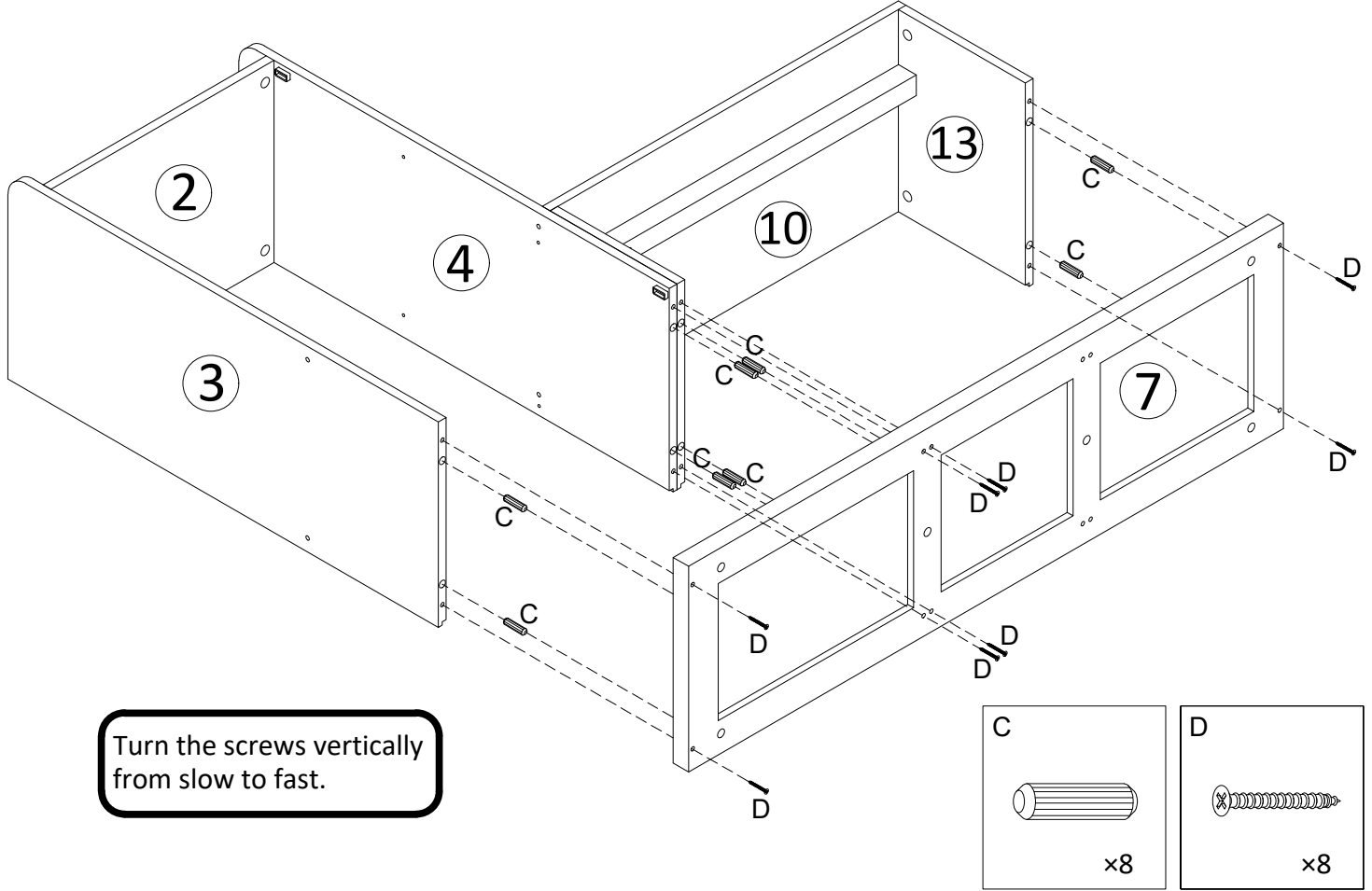
Turn the screws vertically from slow to fast.



4

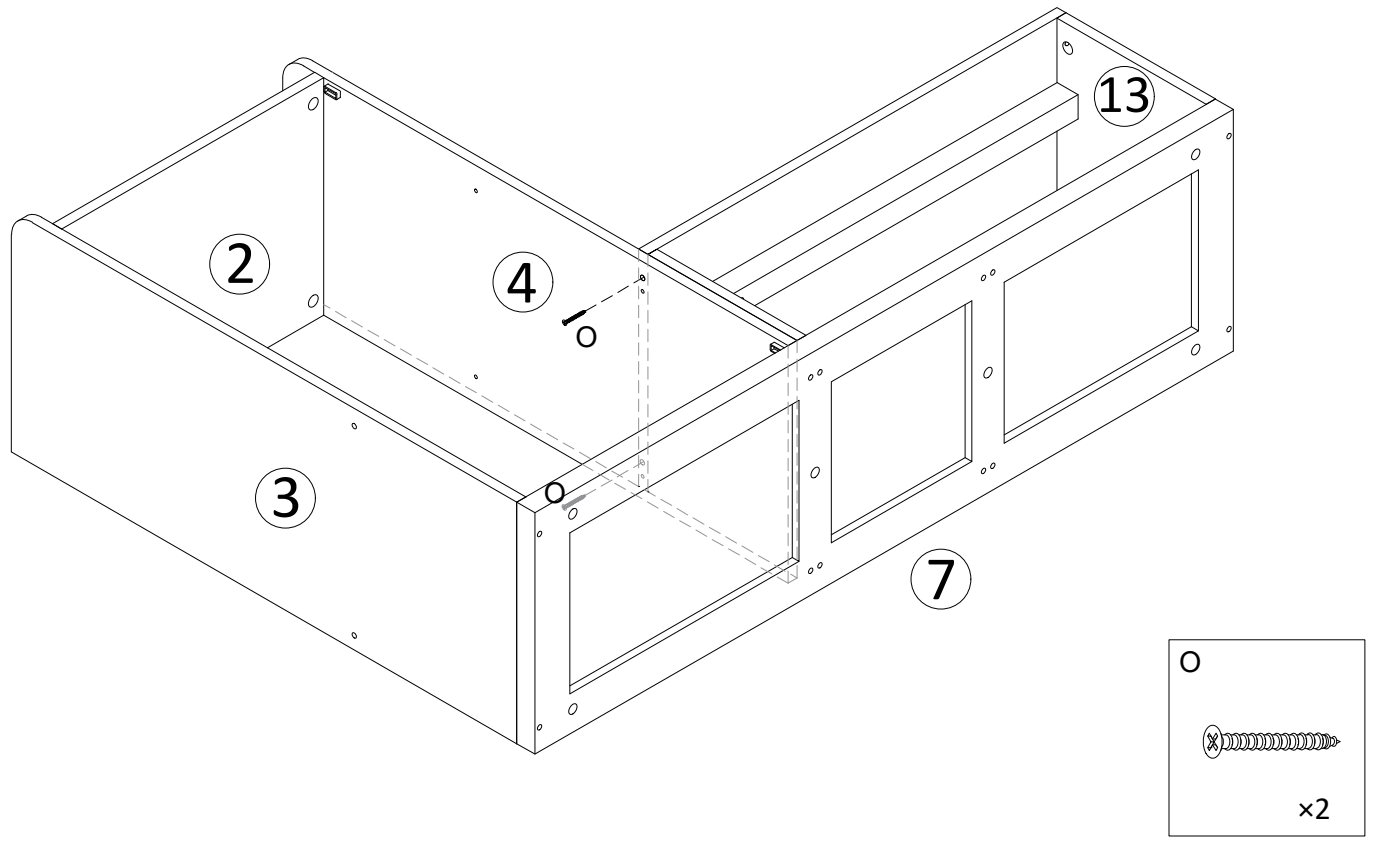


5 (option one)

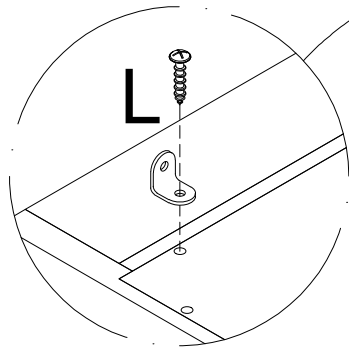


6

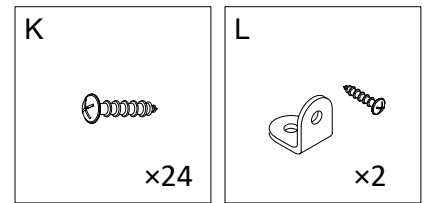
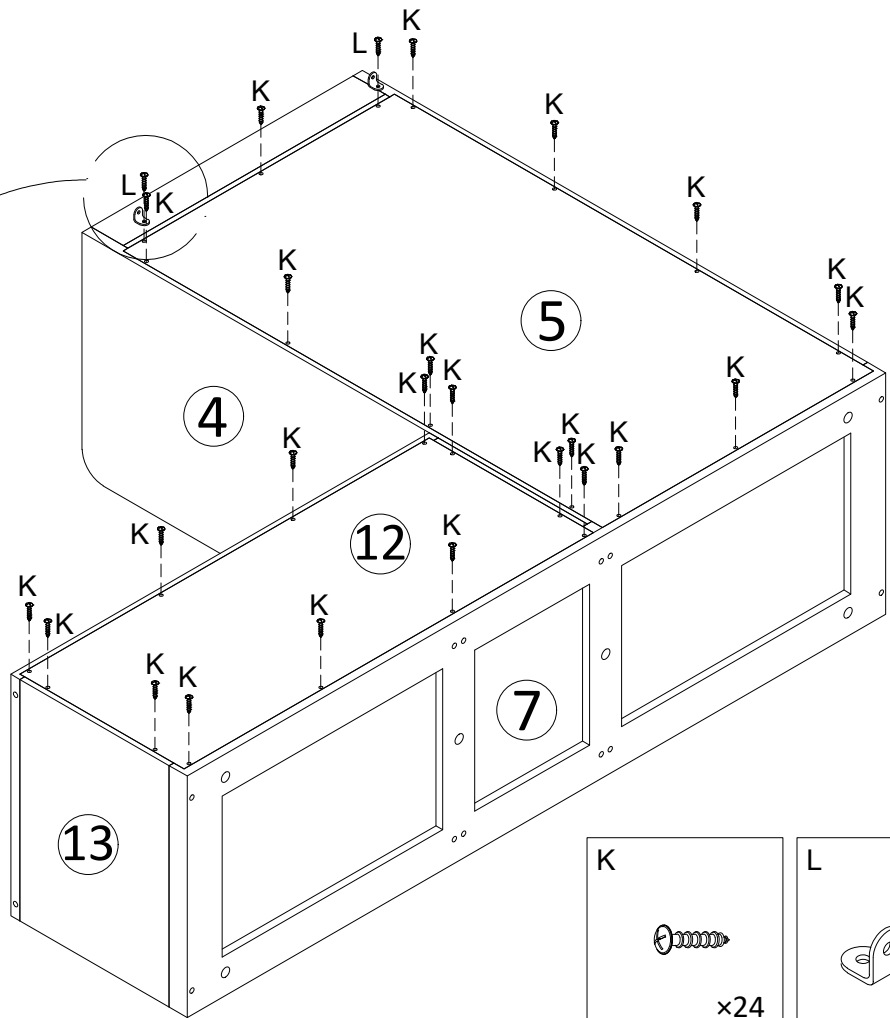
Turn the screws vertically from slow to fast.



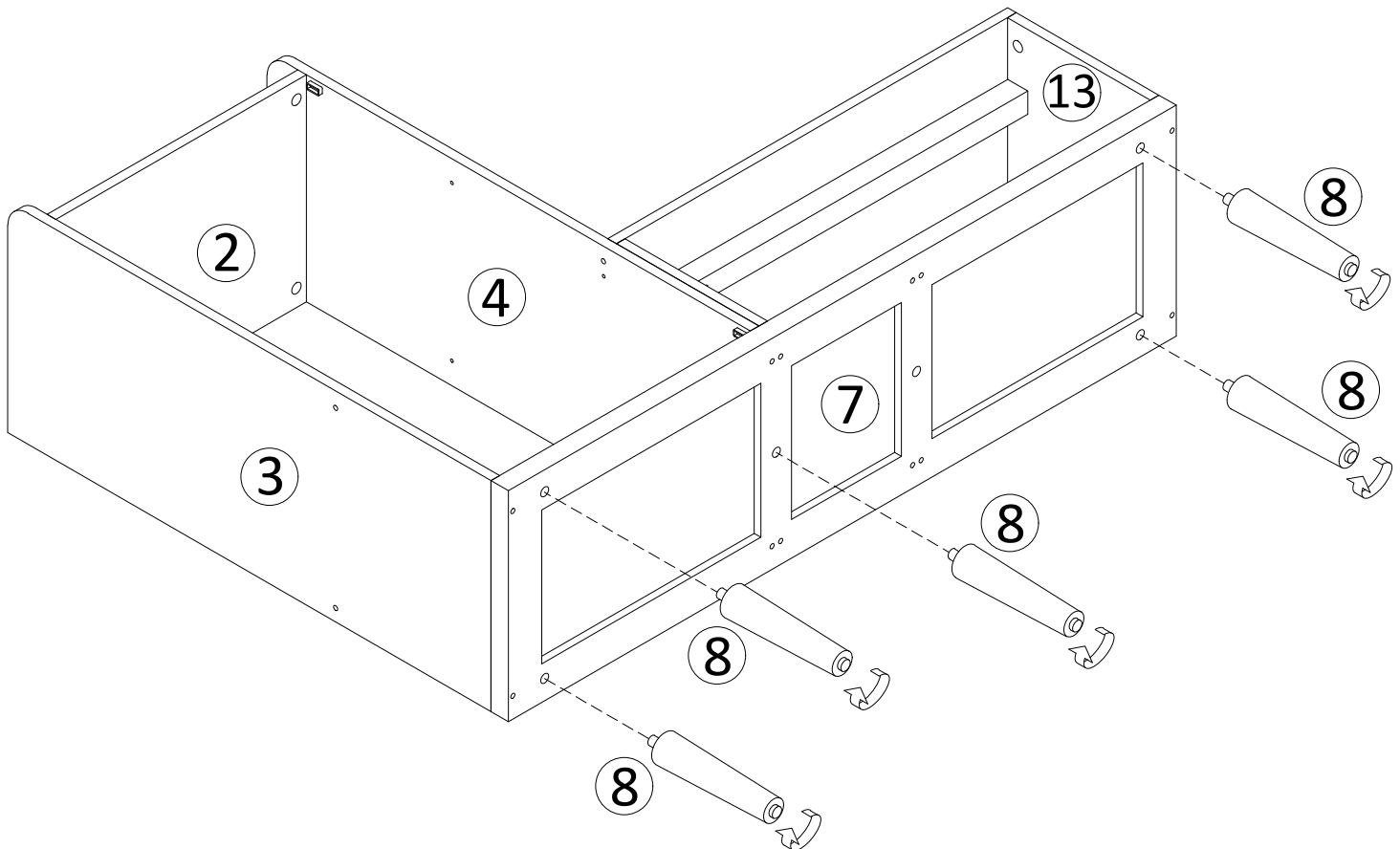
7

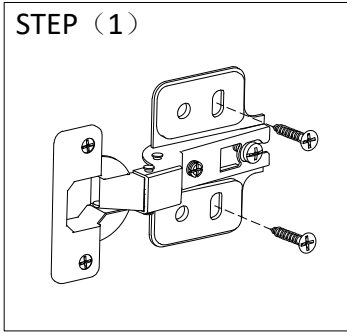


Turn the screws vertically from slow to fast.

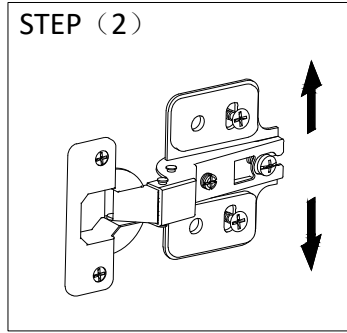


8

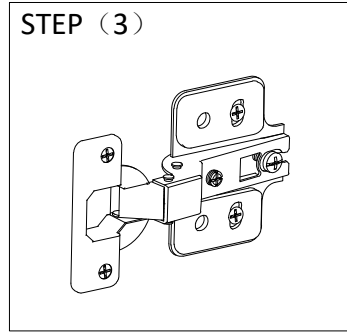




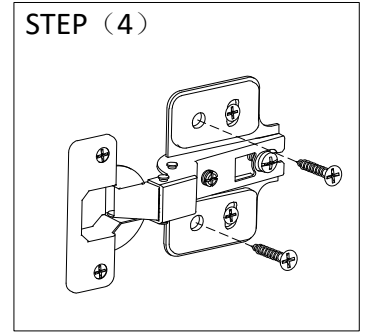
Tips: Turning the screw to approx 50% tightness, don't be fully tight.



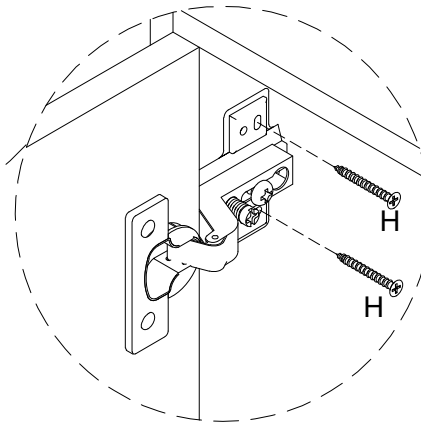
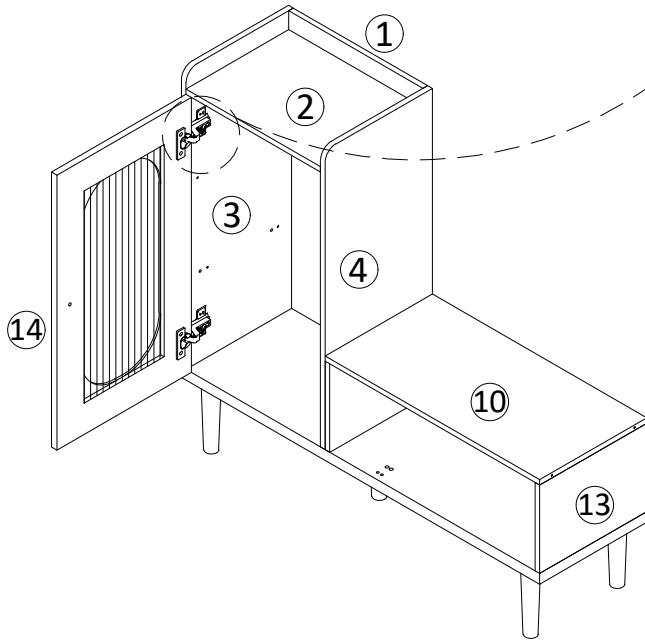
Tips: Moving the hinges up or down appropriately to adjust the gap between the door with the cabinet top and bottom.



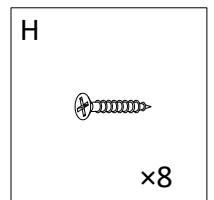
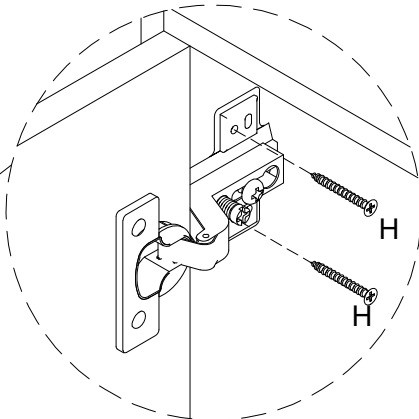
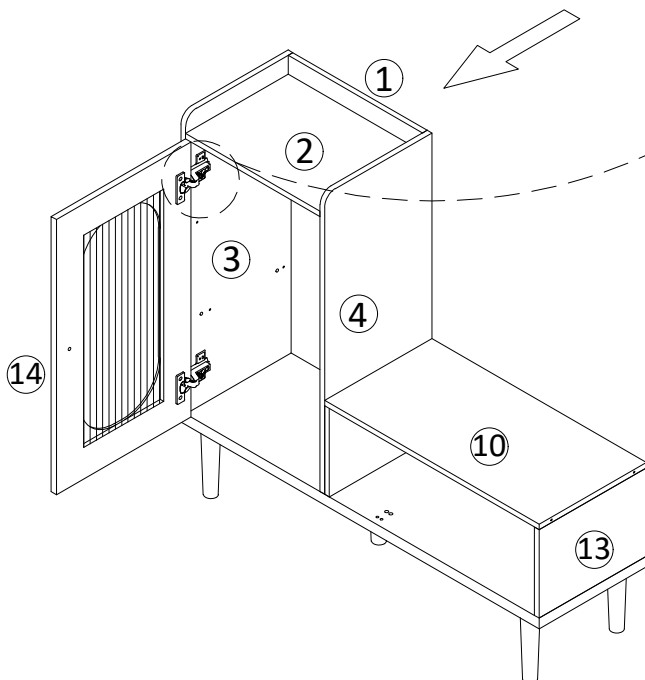
Tips: Tightening the screws completely.



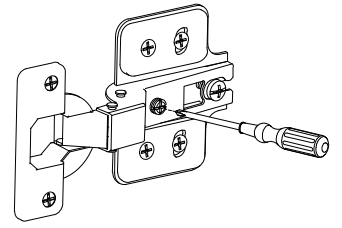
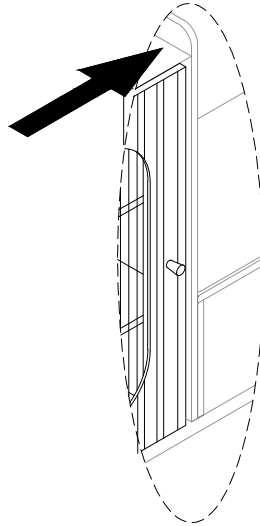
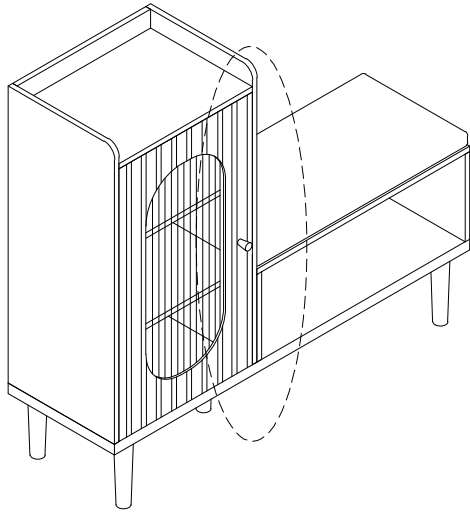
Tips: Tightening the other screws completely.



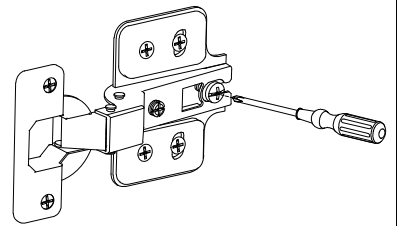
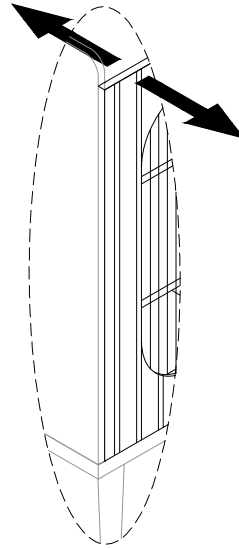
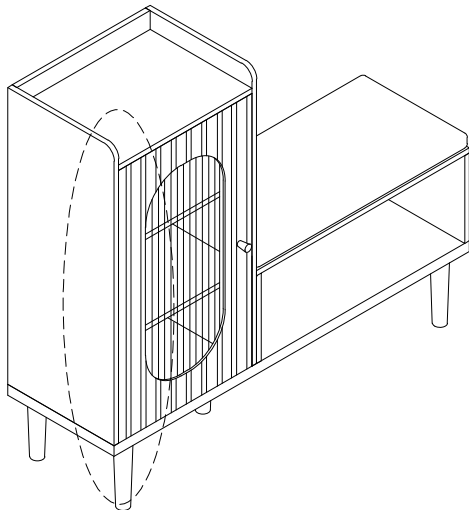
Turn the screws vertically from slow to fast.



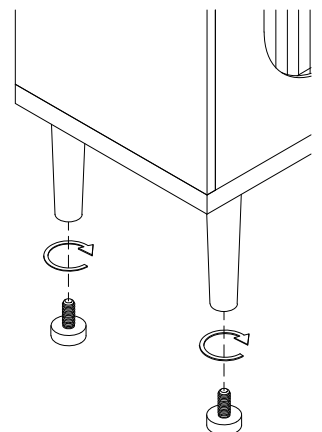
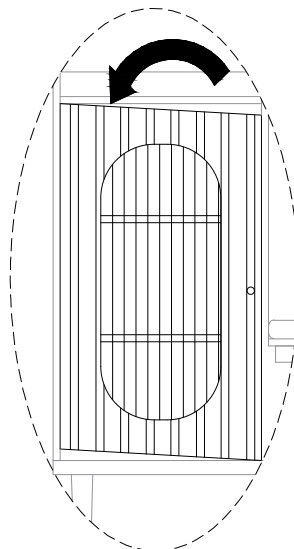
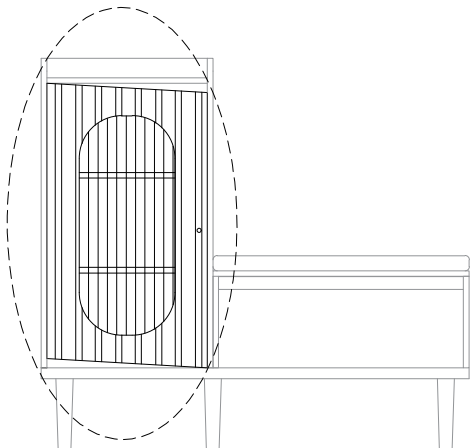
10 Tips: If the gap between the doors with the partition panel is too far or close, please turning the screw as shown below .



Tips: Adjusting the screw as shown in the following picture can make the door move forward or backward.

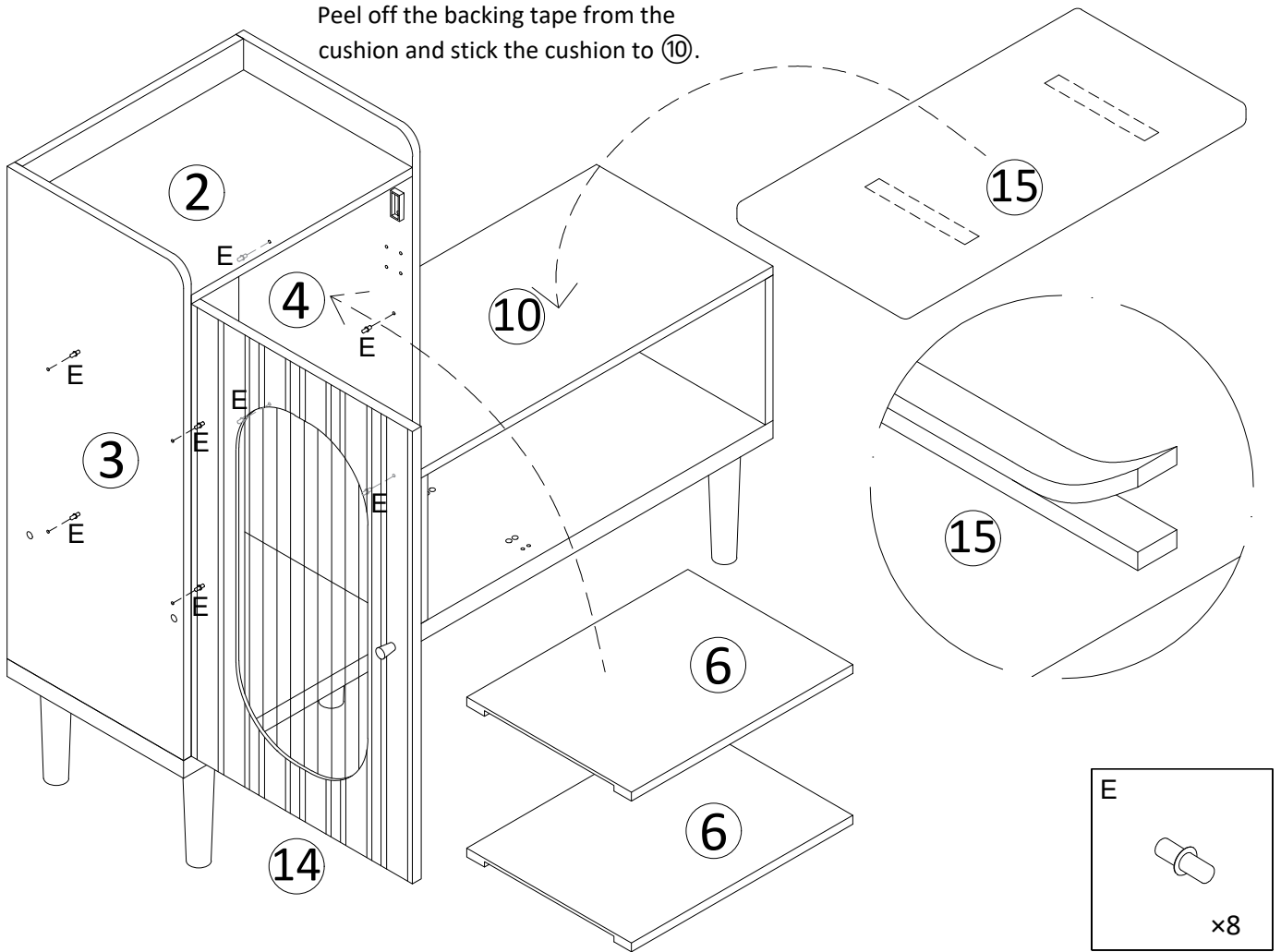


Tips: Adjusting the levelers appropriately underneath the bottom of the foot can make the gaps between the door and frames of cabinet even.

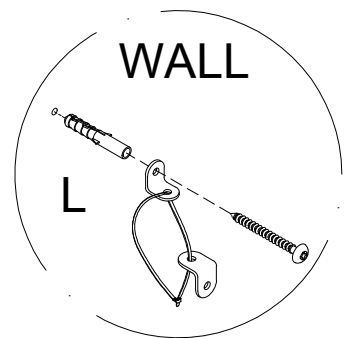
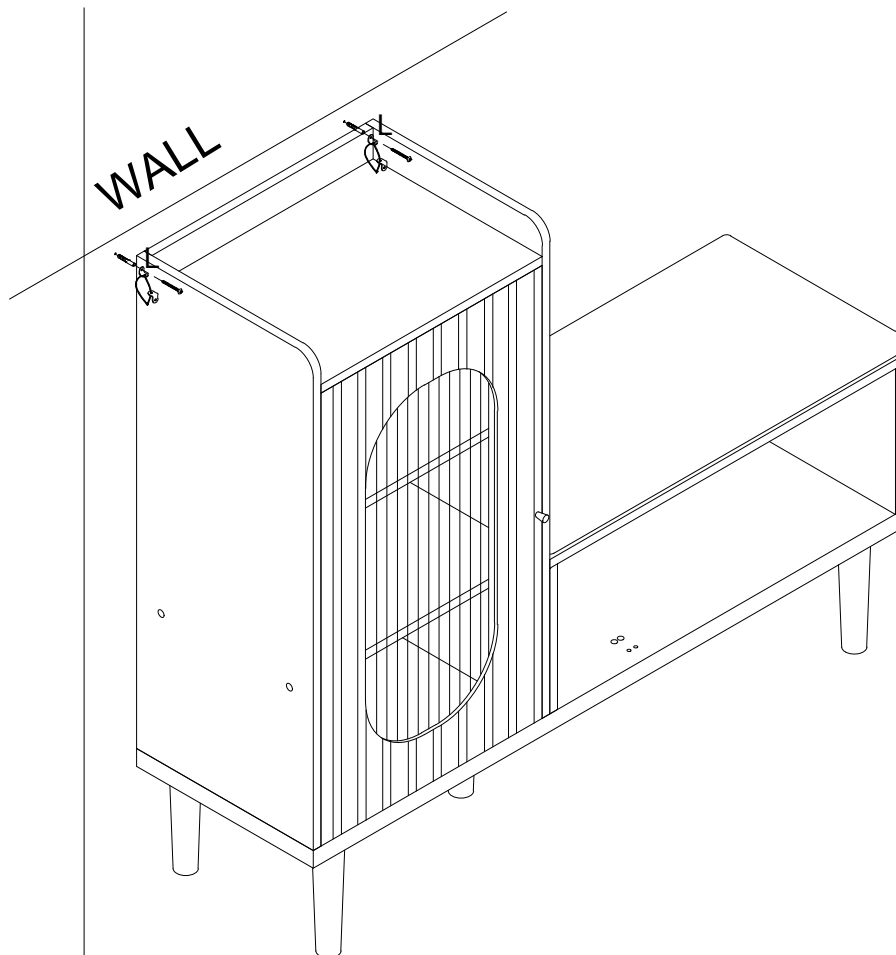


11

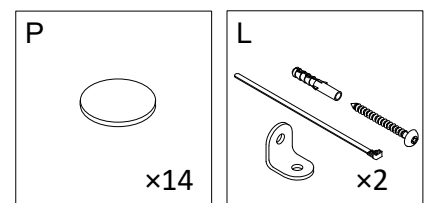
Peel off the backing tape from the cushion and stick the cushion to ⑩.



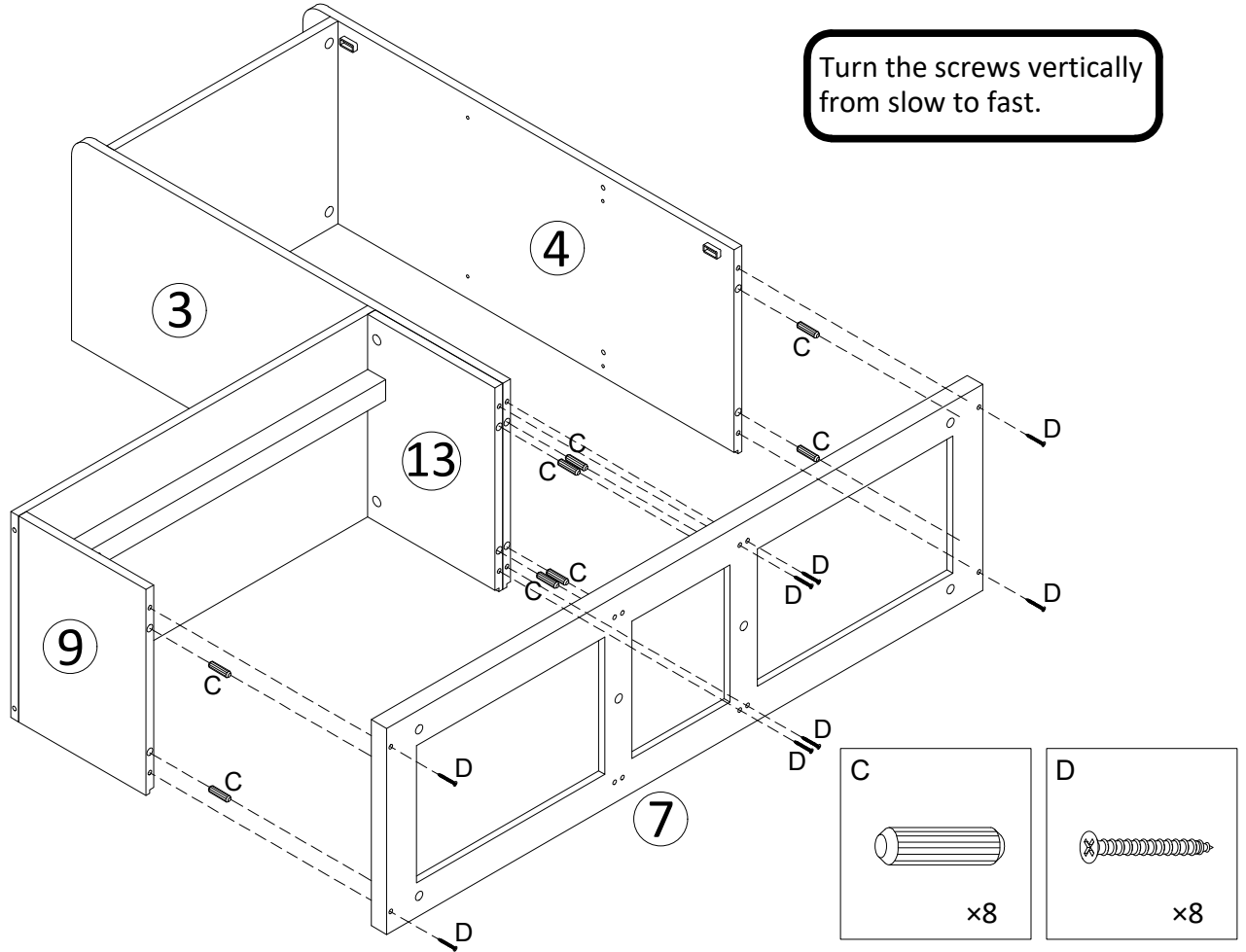
12



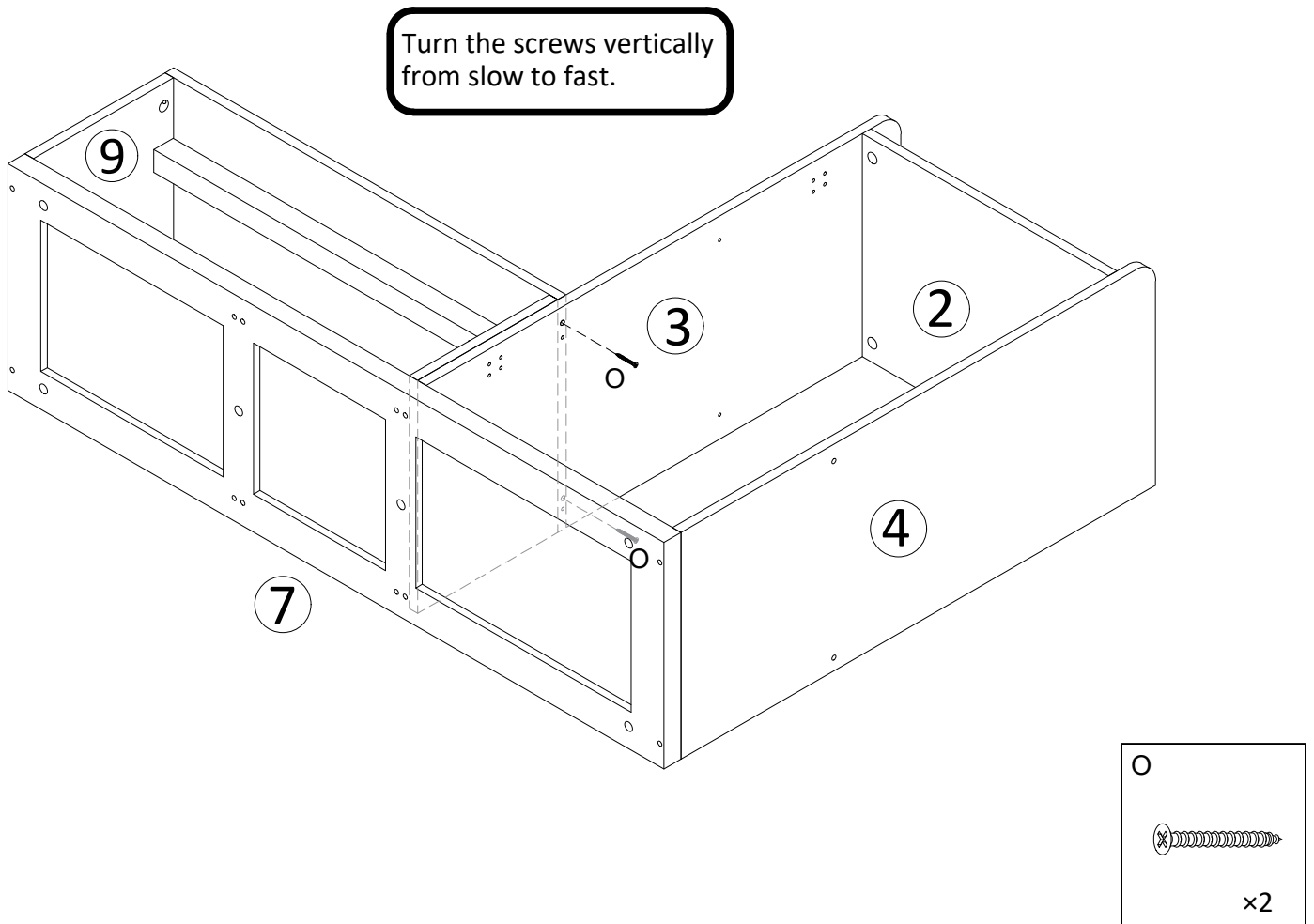
After assembly, P can be covered to all visible screw holes for a more elegant look.

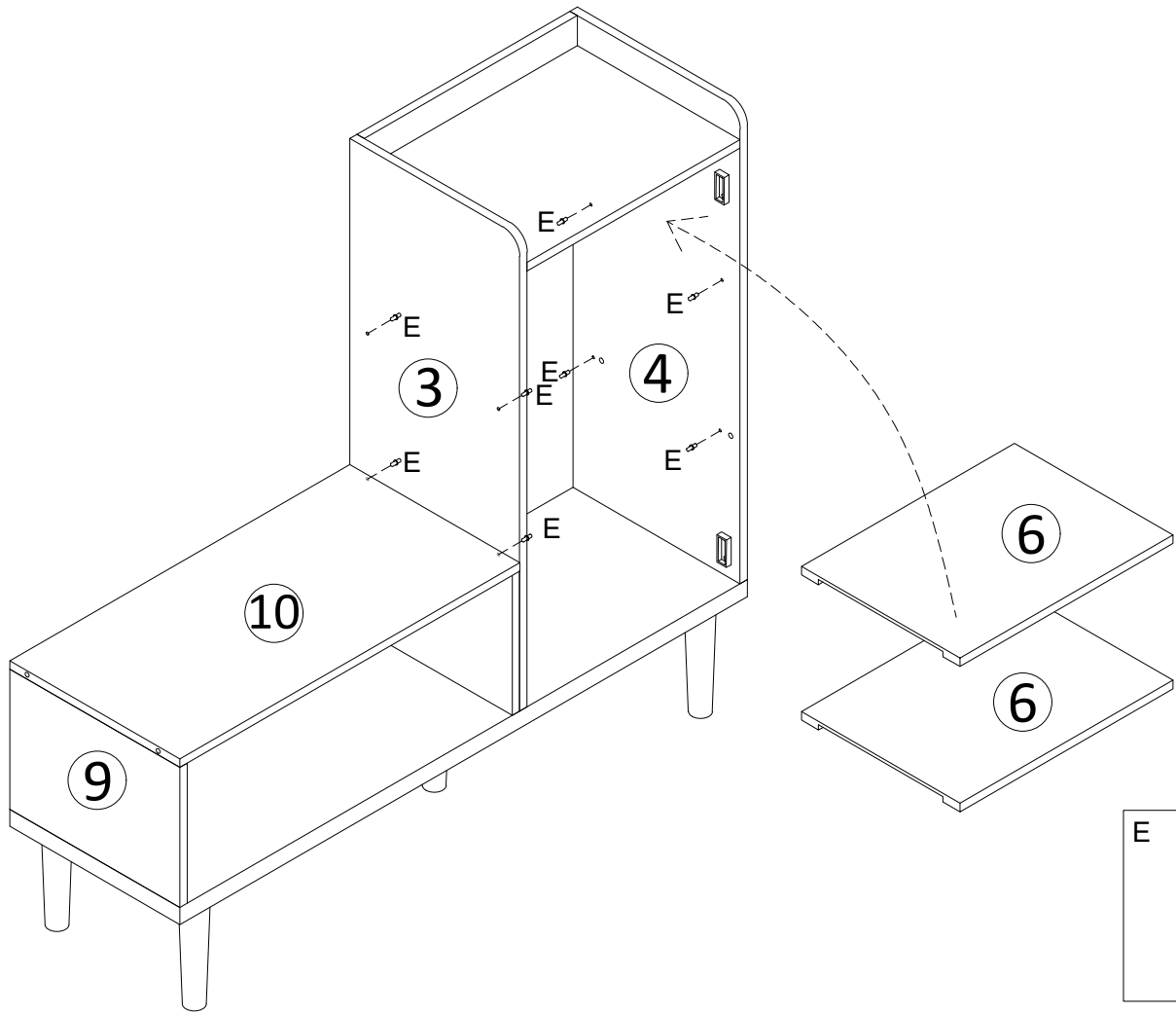


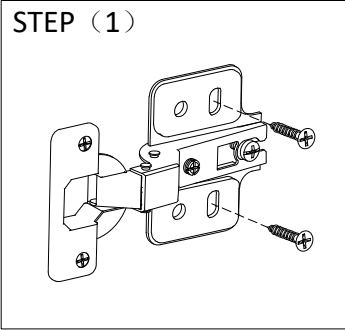
13 (option two)



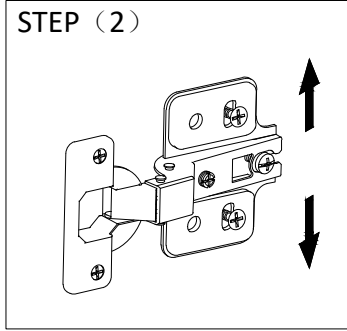
14



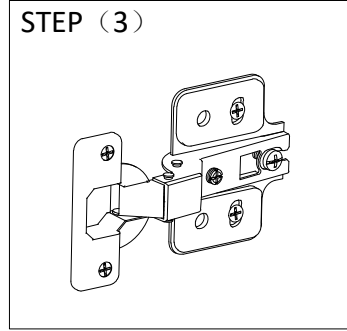




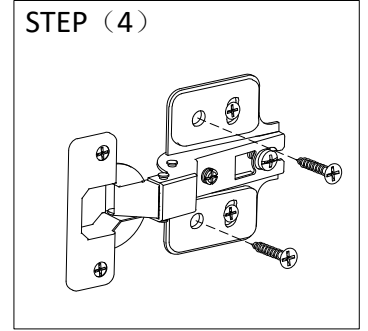
Tips: Turning the screw to approx 50% tightness, don't be fully tight.



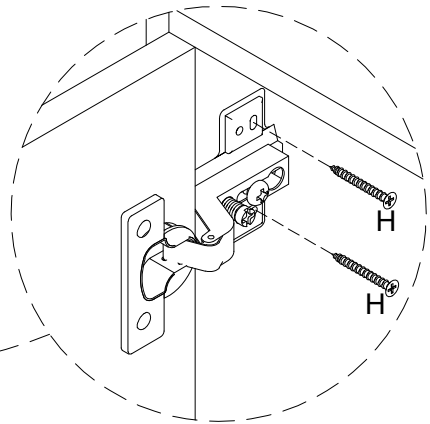
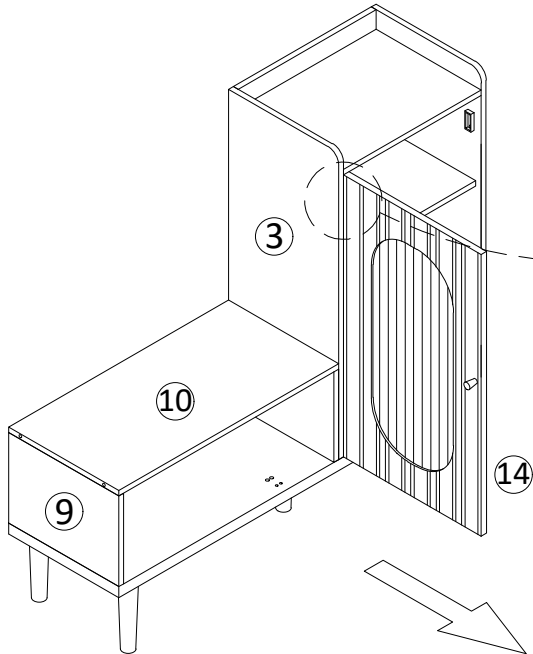
Tips: Moving the hinges up or down appropriately to adjust the gap between the door with the cabinet top and bottom.



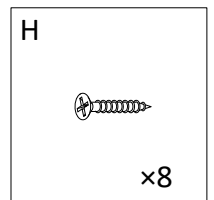
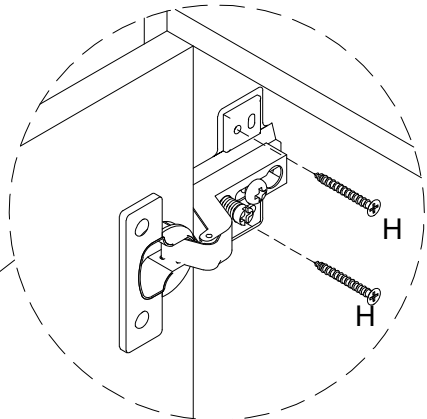
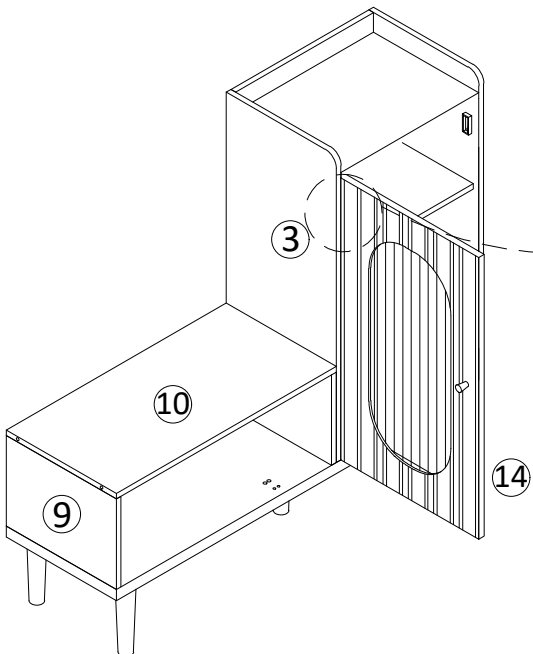
Tips: Tightening the screws completely.



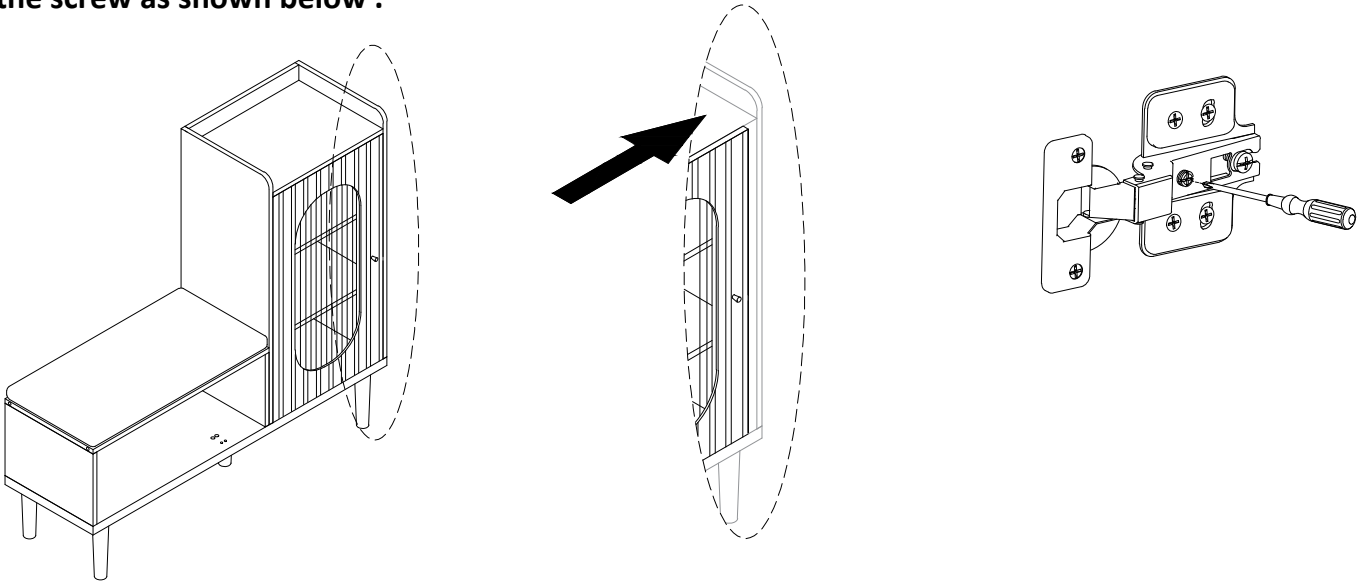
Tips: Tightening the other screws completely.



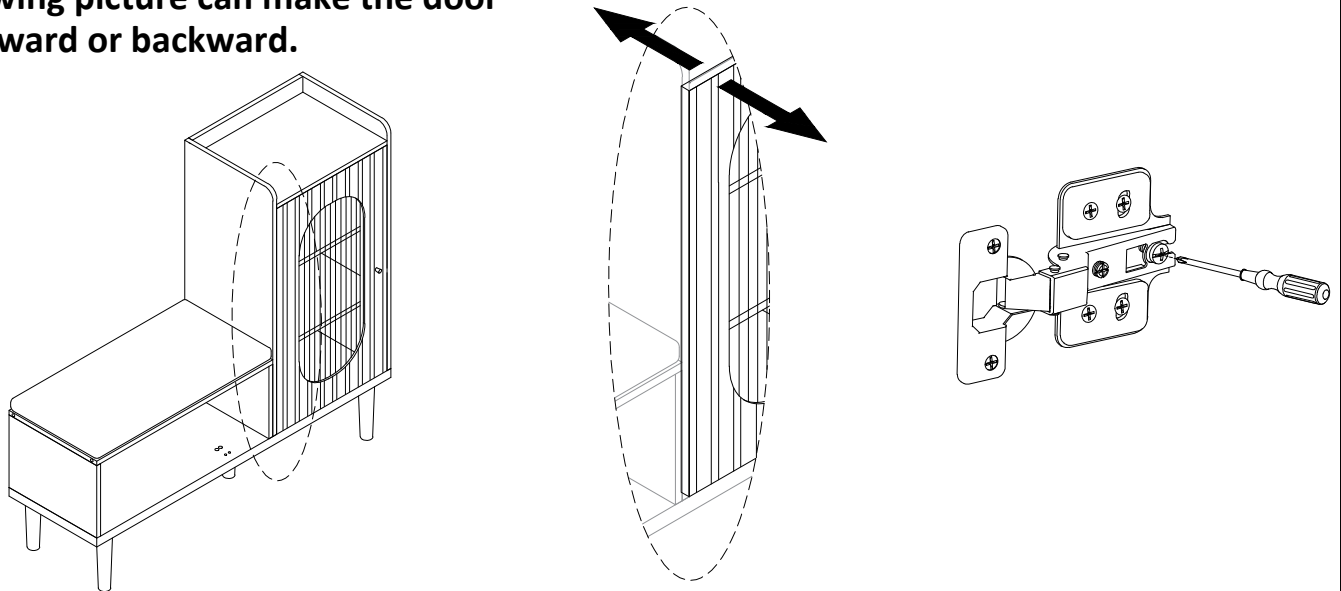
Turn the screws vertically from slow to fast.



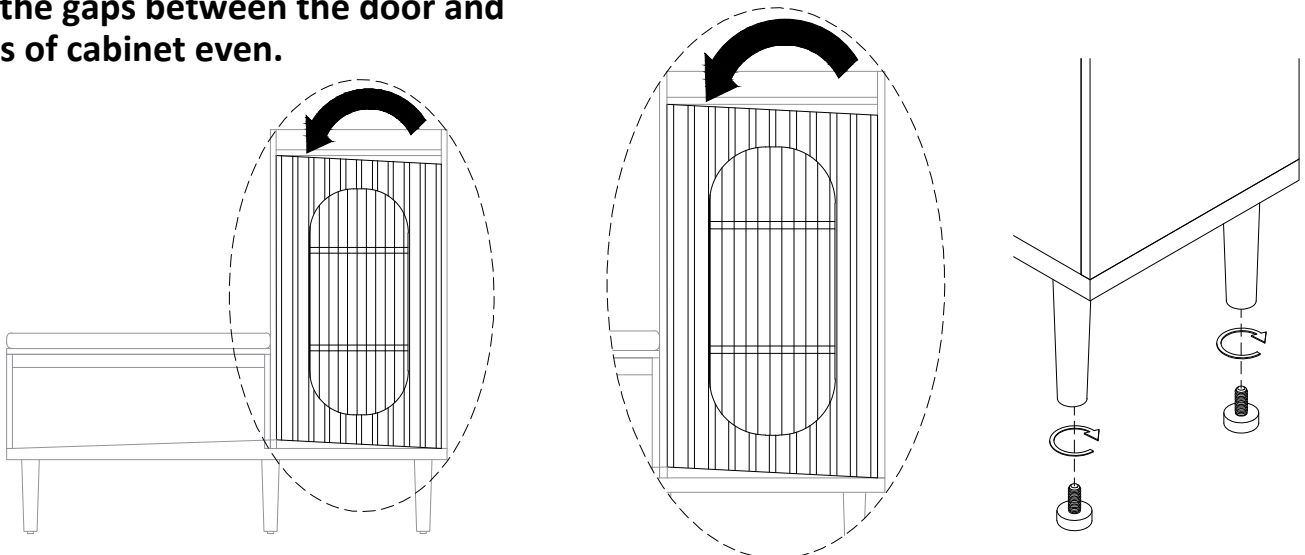
19 Tips: If the gap between the doors with the partition panel is too far or close, please turning the screw as shown below .



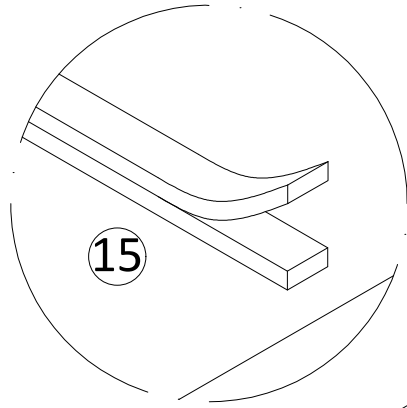
Tips: Adjusting the screw as shown in the following picture can make the door move forward or backward.



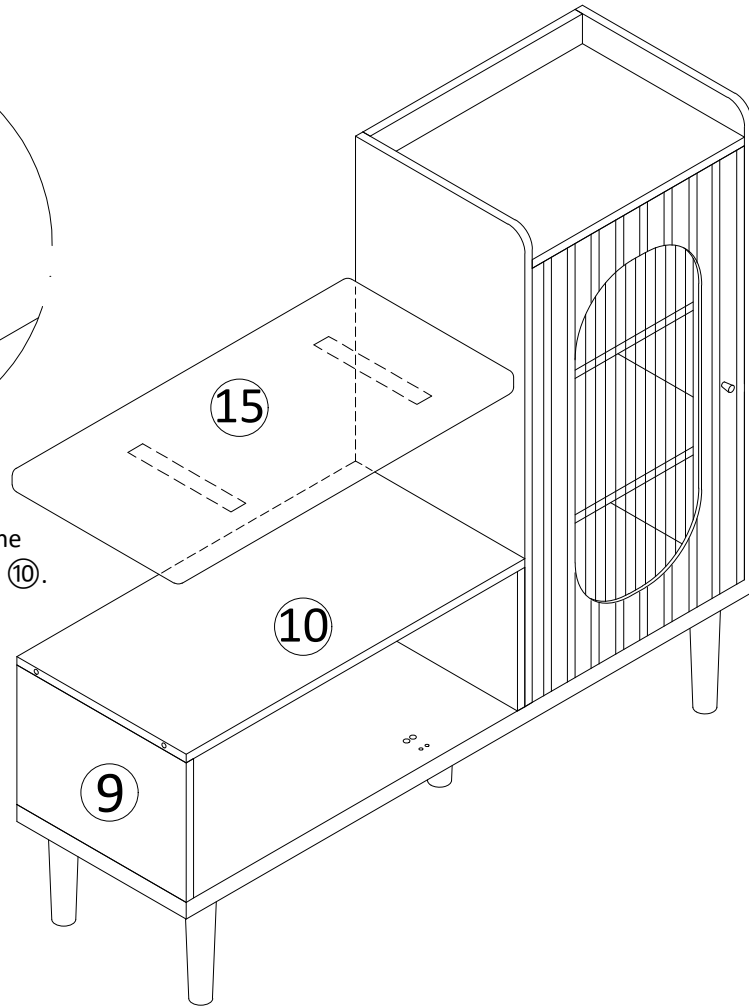
Tips: Adjusting the levelers appropriately underneath the bottom of the foot can make the gaps between the door and frames of cabinet even.



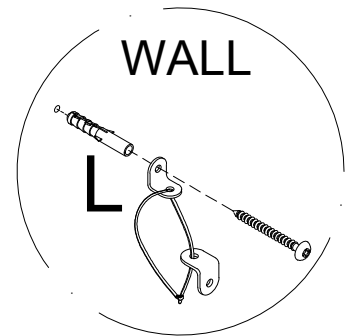
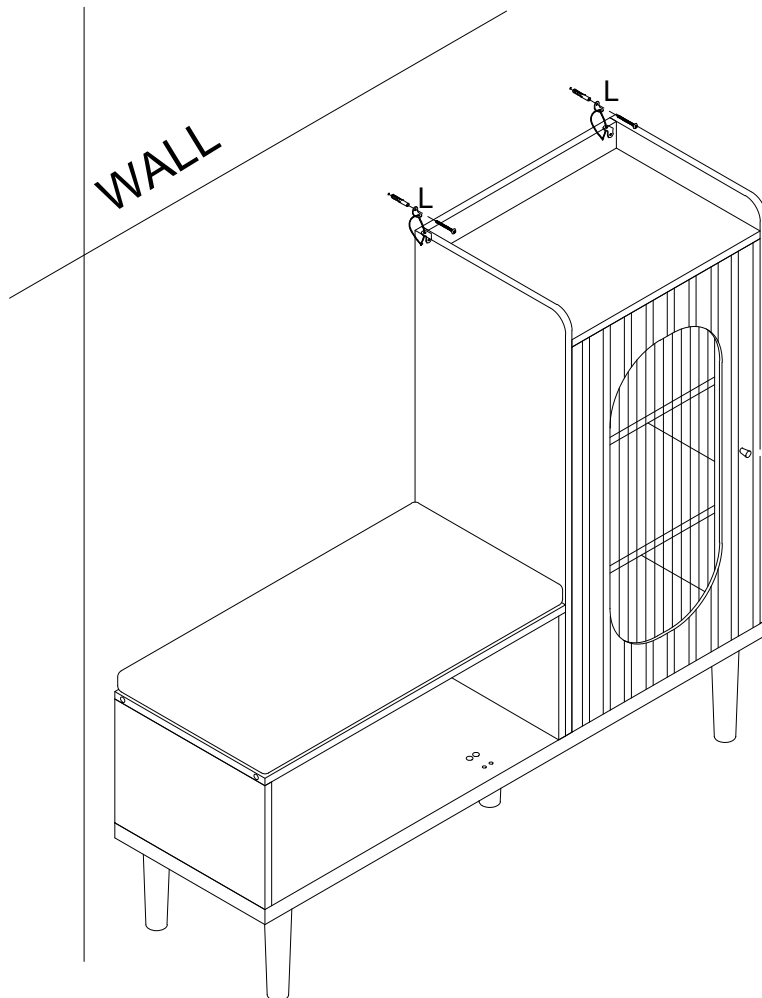
20



Peel off the backing tape from the cushion and stick the cushion to ⑩.



21



After assembly, P can be covered to all visible screw holes for a more elegant look.

