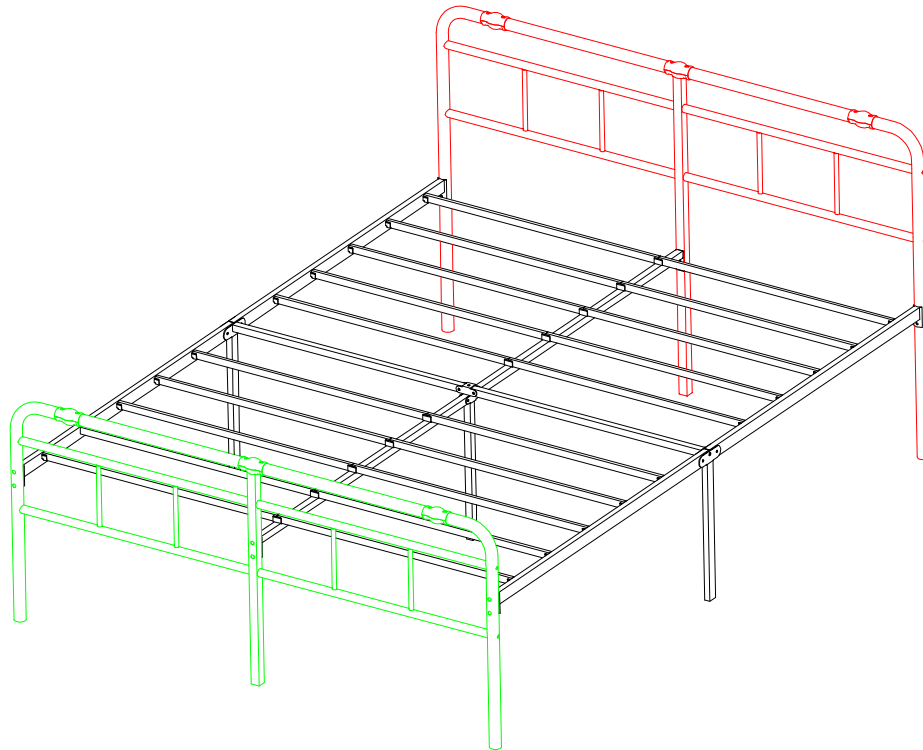


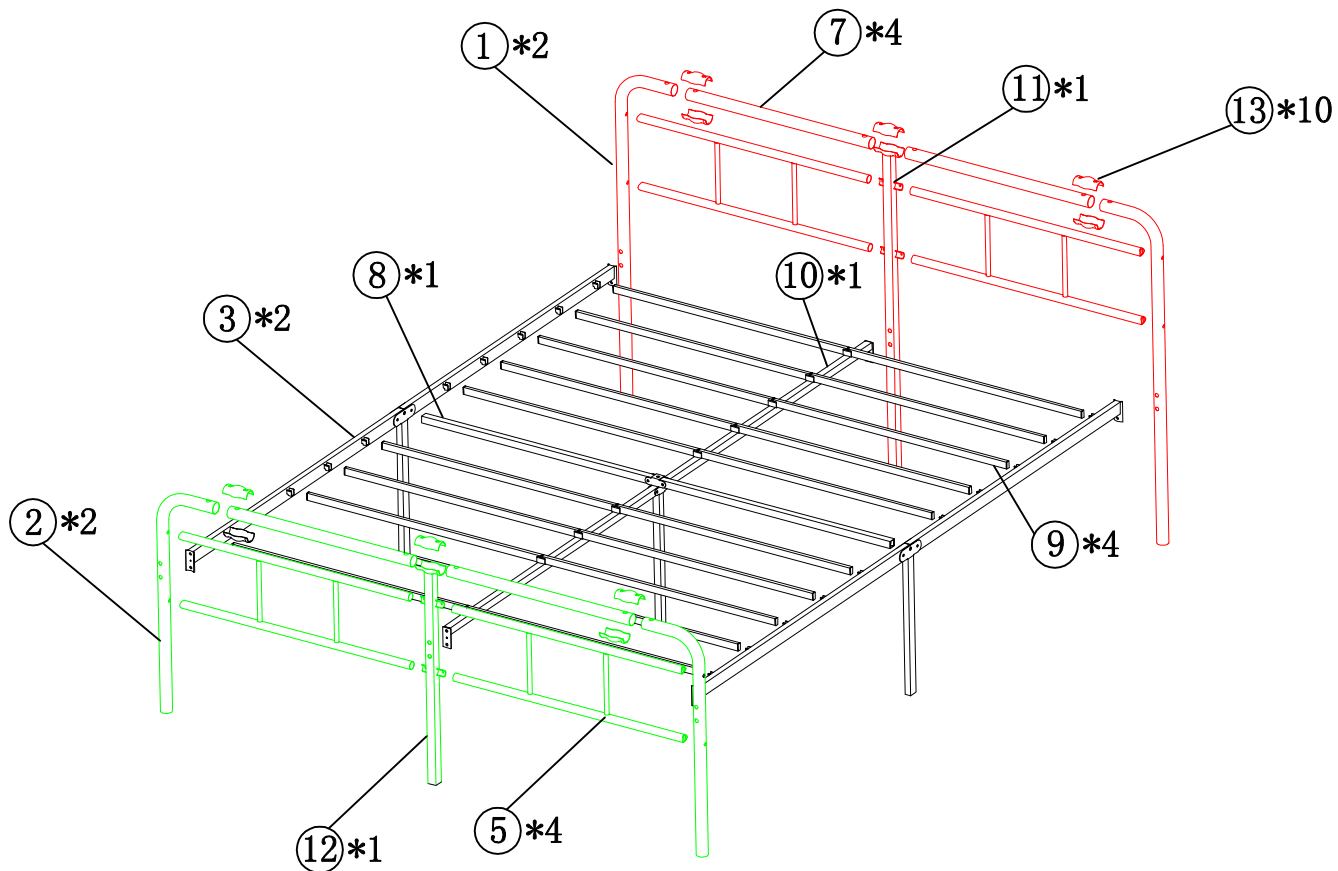
ASSEMBLY INSTRUCTION

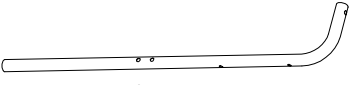
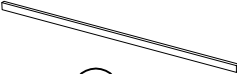


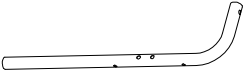
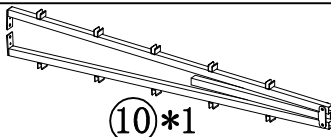


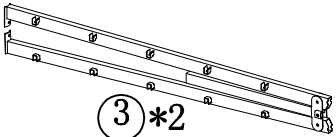


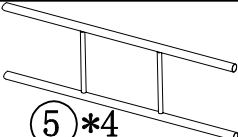
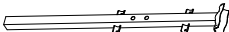




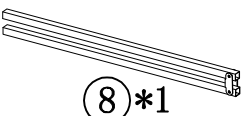

If you have any questions about the product,
please don't hesitate to contact us.





Size: Queen/King/Cal King

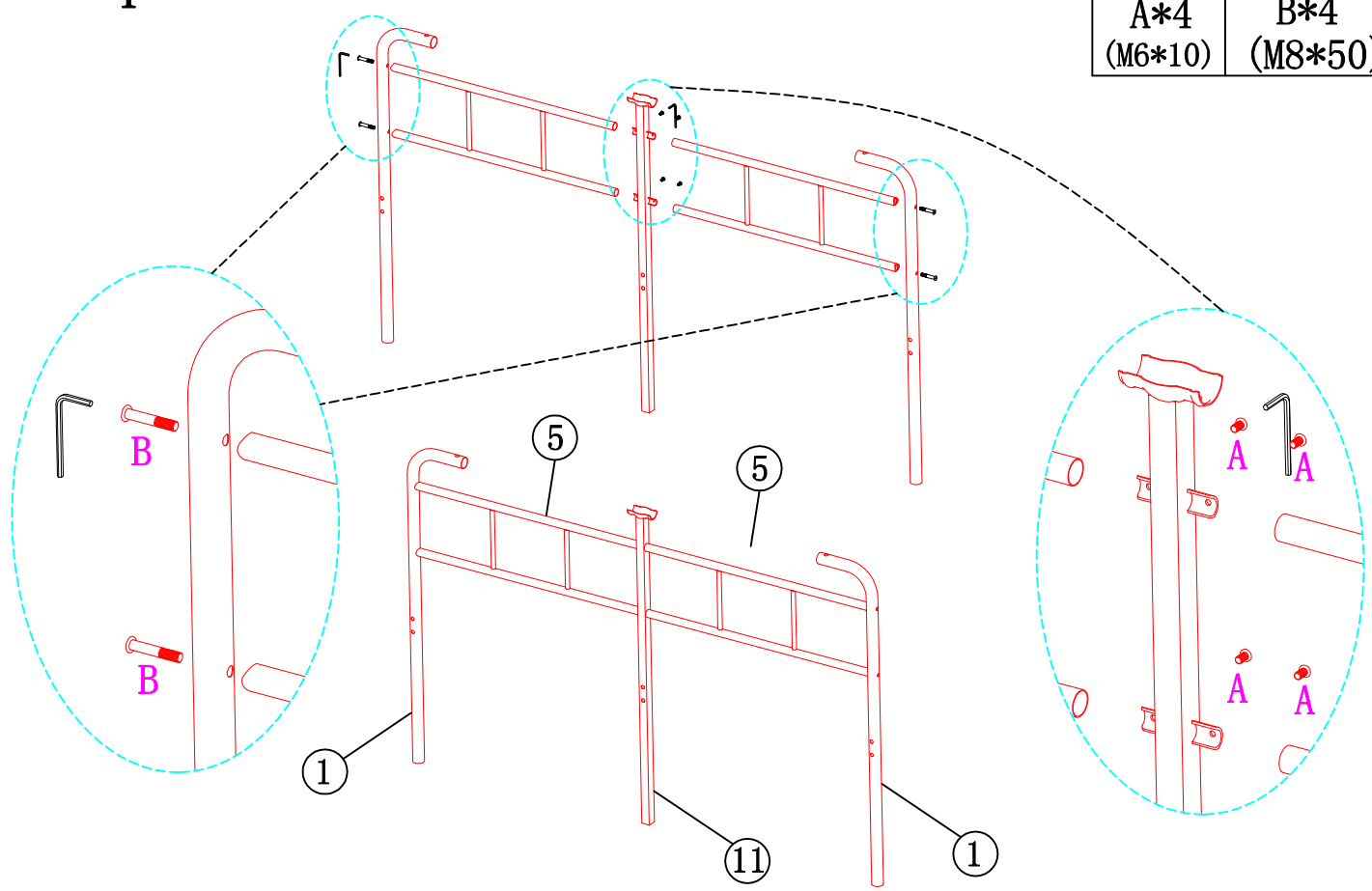
RHF3204/05/06





 ①*2	 ⑨*20	 A*8 (M6*10)	 H*1 (M8*55)
 ②*2	 ⑩*1	 B*8 (M8*50)	 K*1
 ③*2	 ⑪*1	 C*12 (M6*28)	
 ⑤*4	 ⑫*1	 D*12 (M6)	
 ⑦*4	 ⑬*10	 E*8 (M8*40)	
 ⑧*1		 F*6 (M8*35)	

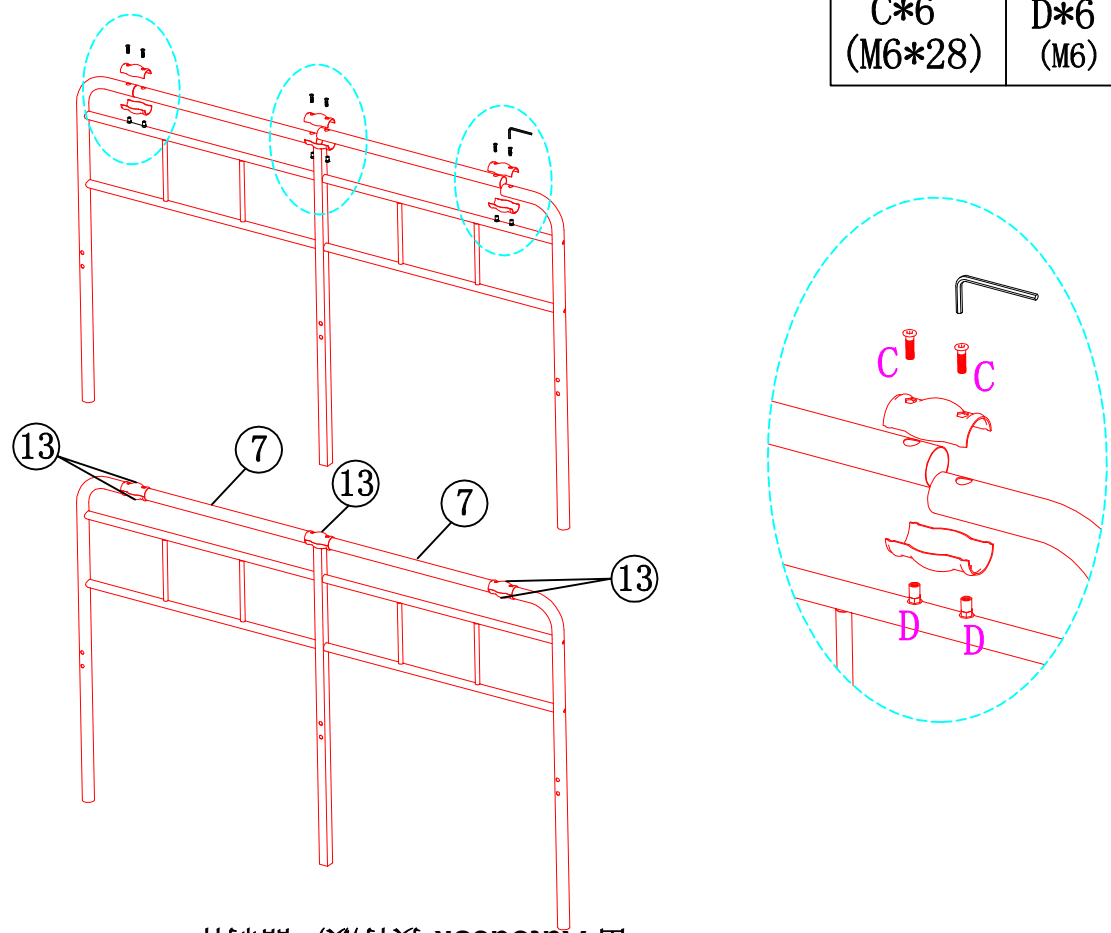
Step1

	
A*4 (M6*10)	B*4 (M8*50)





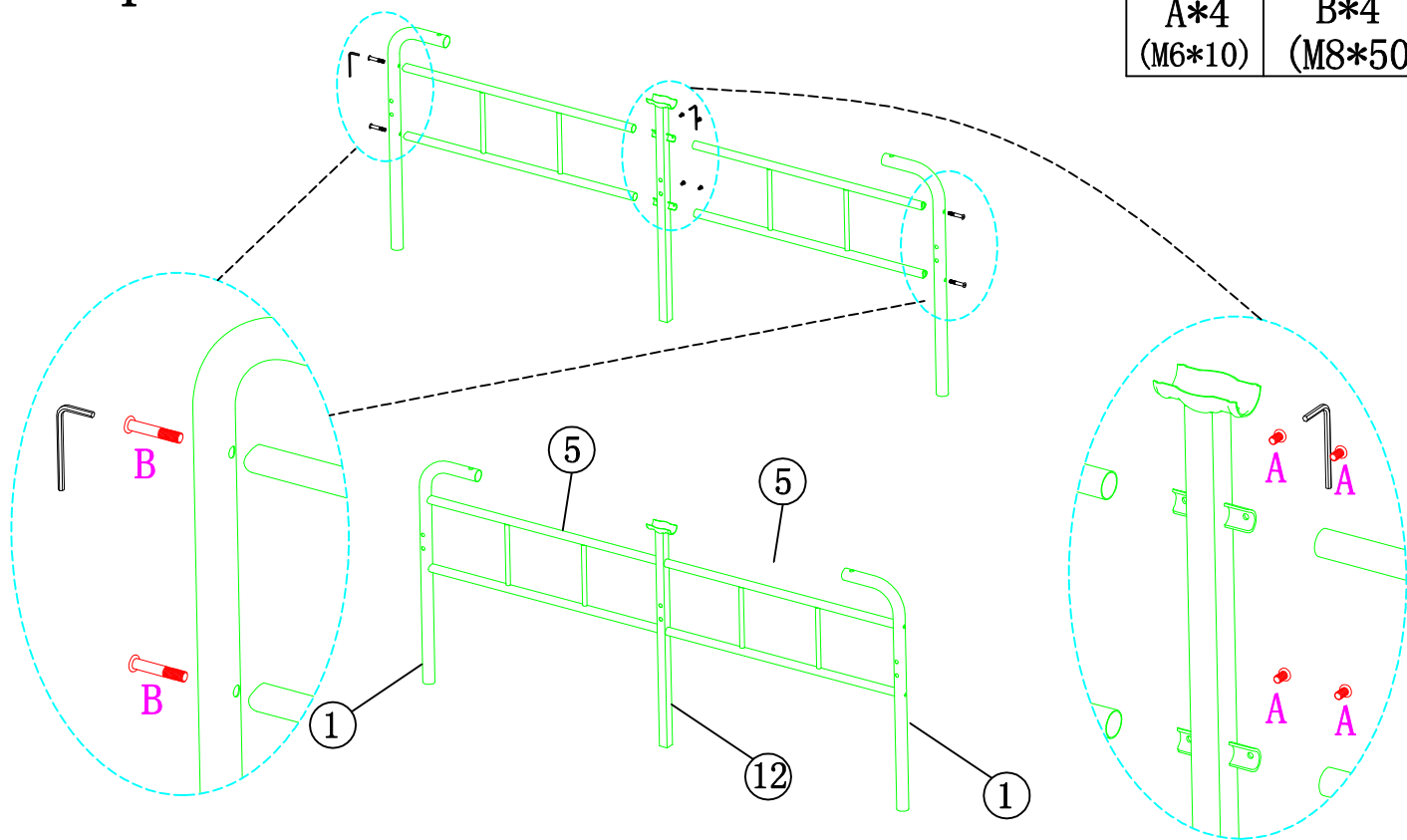
Step2

	
C*6 (M6*28)	D*6 (M6)





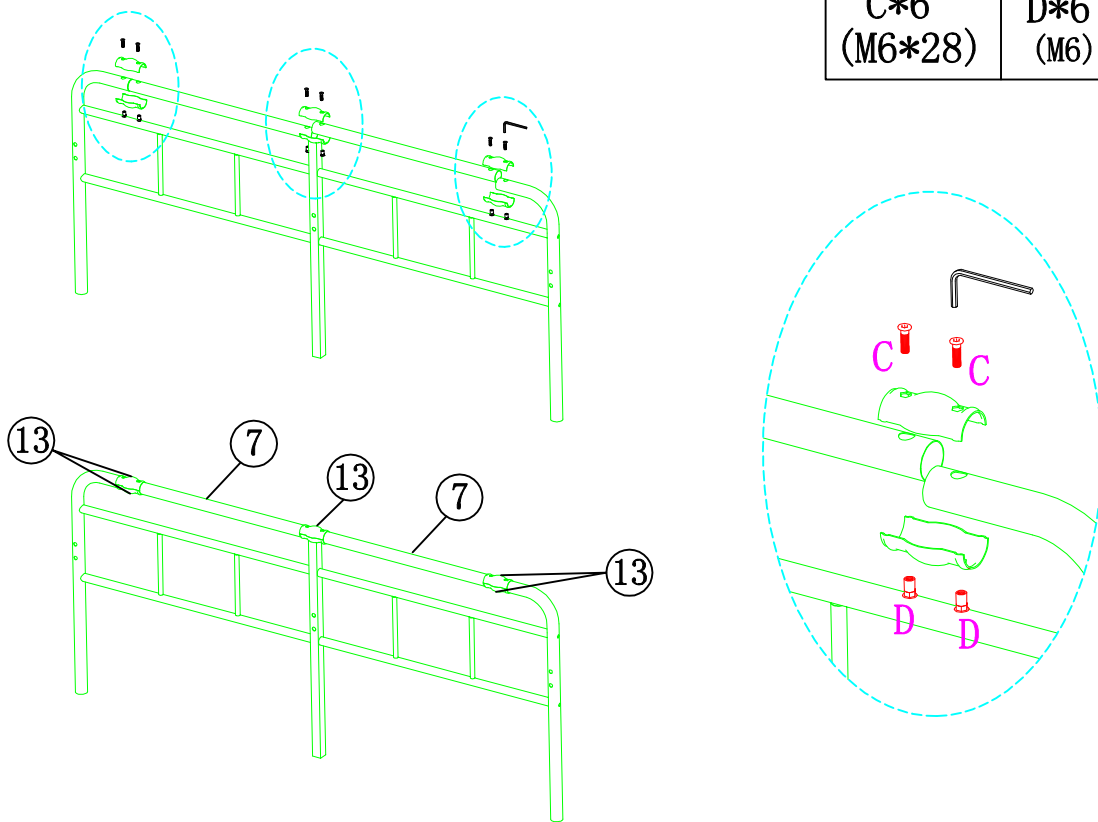
Step3

	
A*4 (M6*10)	B*4 (M8*50)



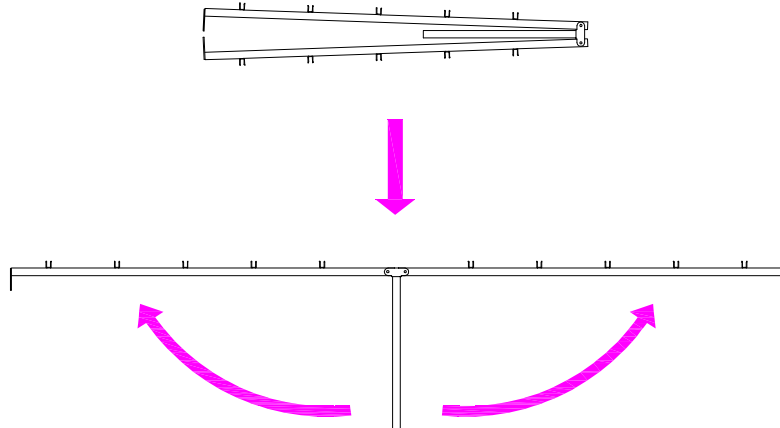
Step4

	
C*6 (M6*28)	D*6 (M6)



Step5

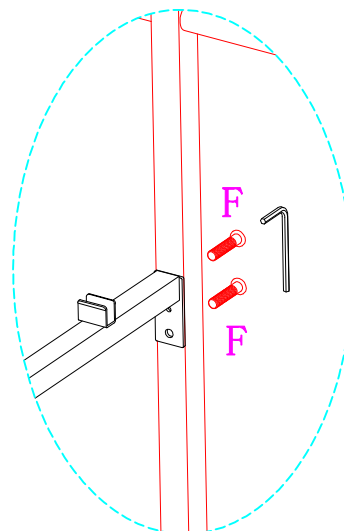
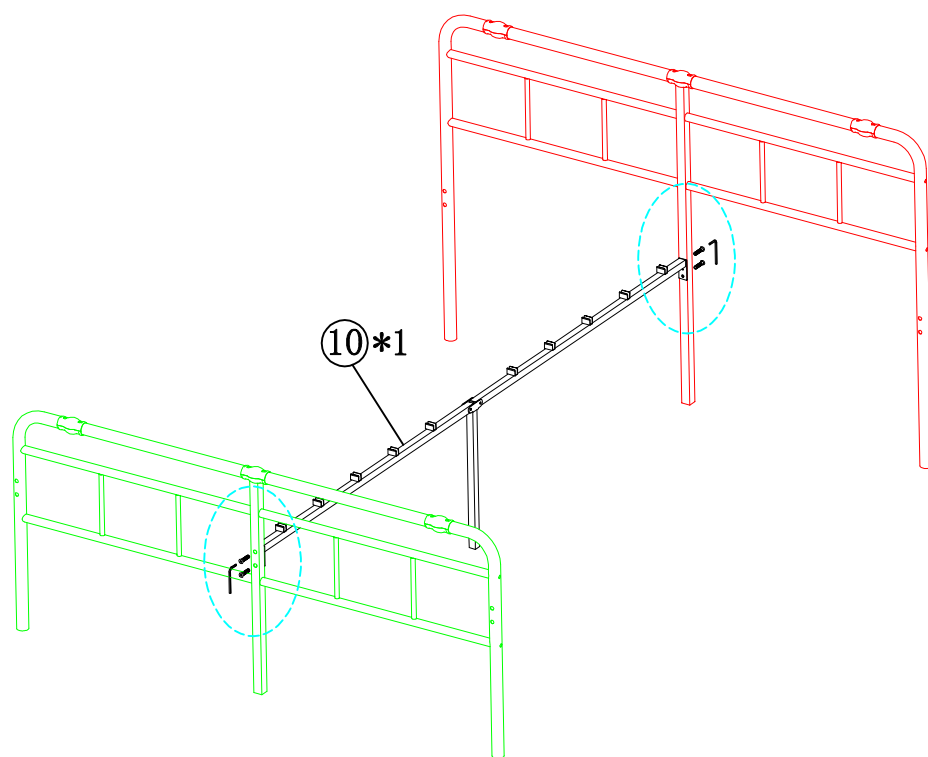
⑩*1



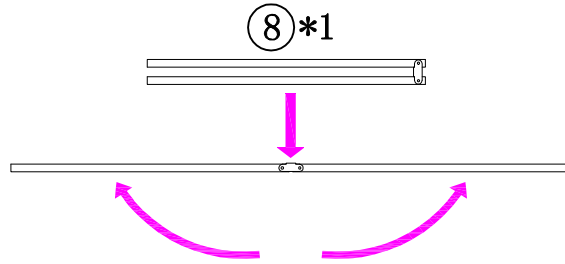
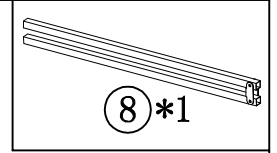
Step6



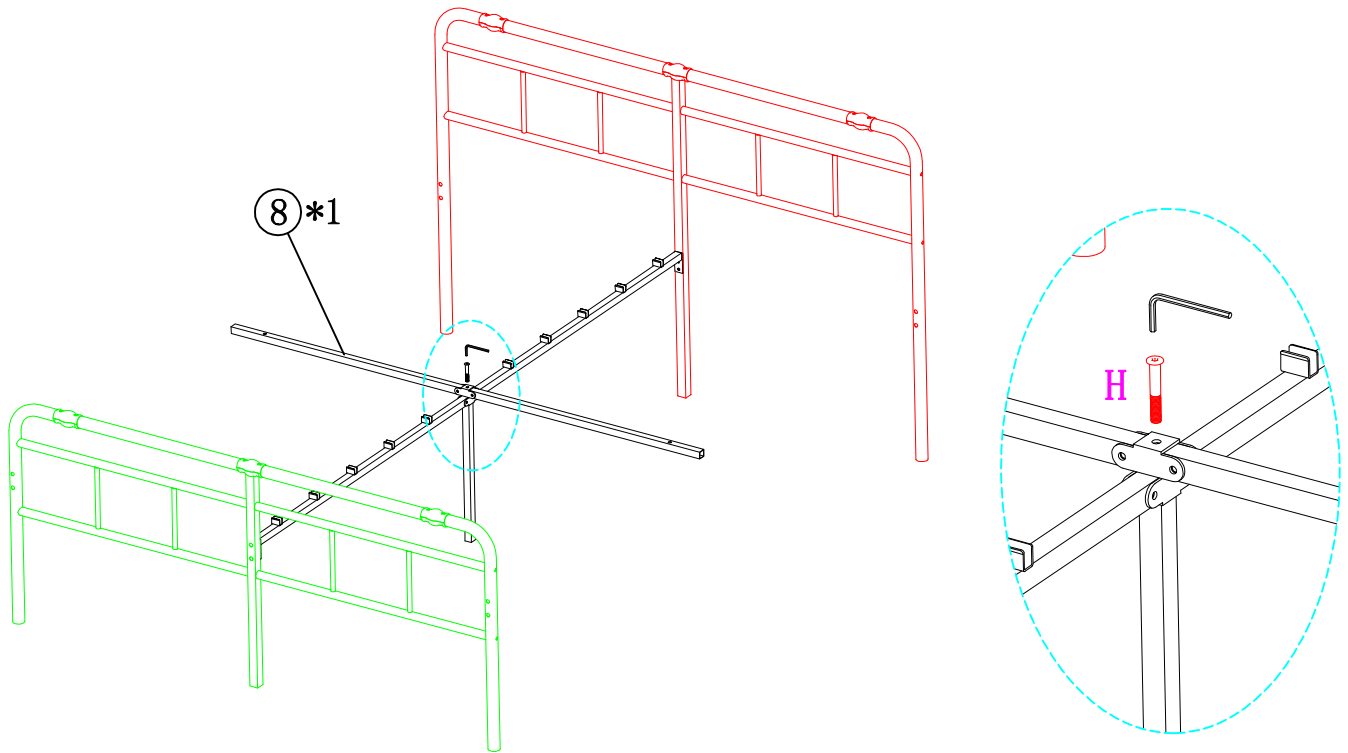
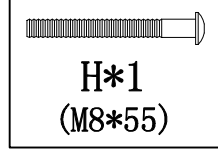
F*4
(M8*35)



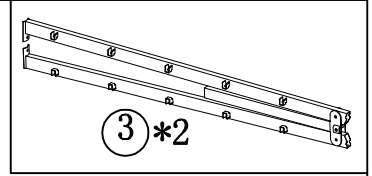
Step7



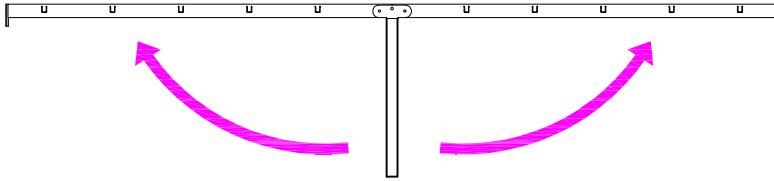
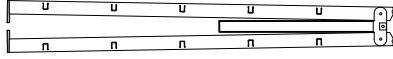
Step8



Step9



③*2



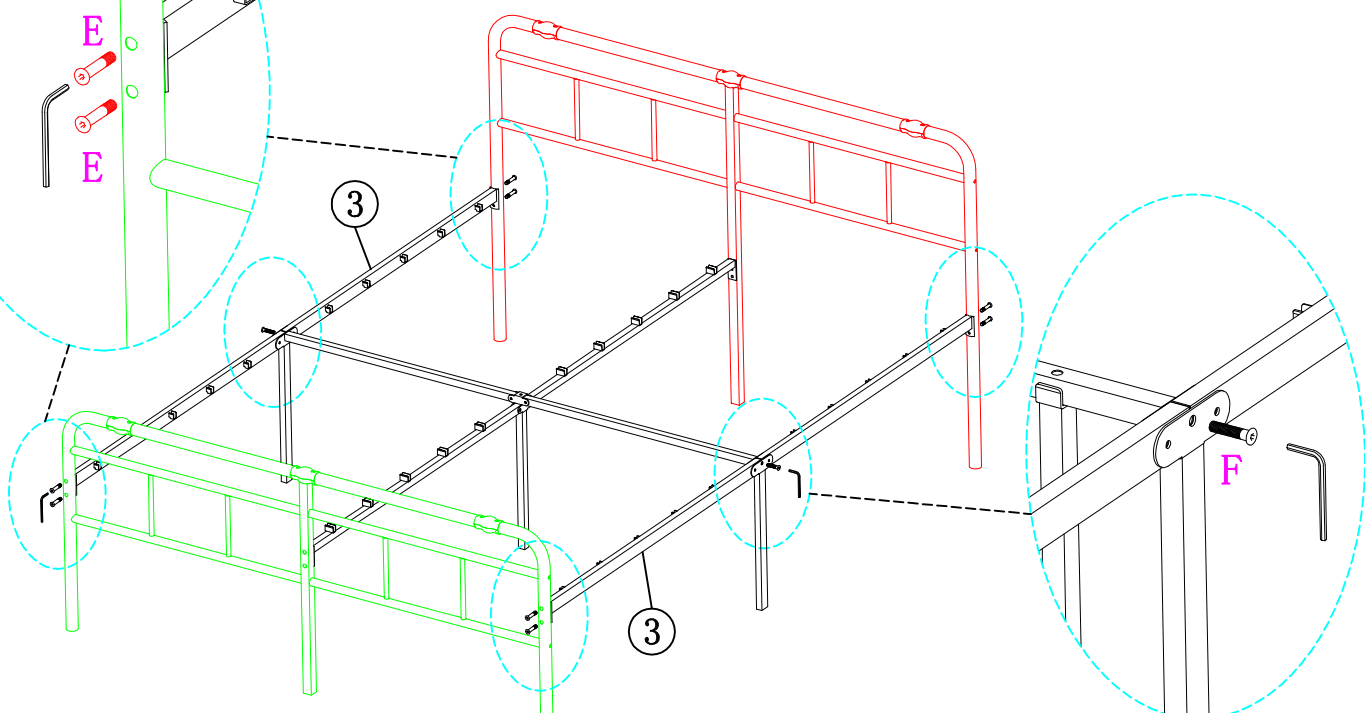
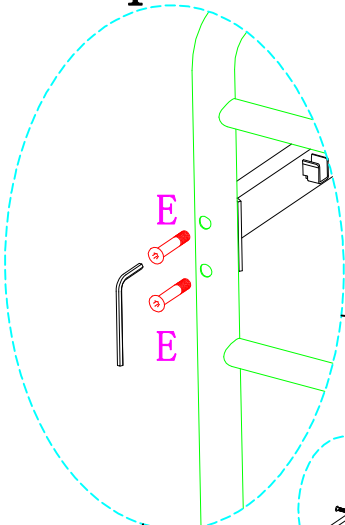
Step10



E*8
(M8*40)

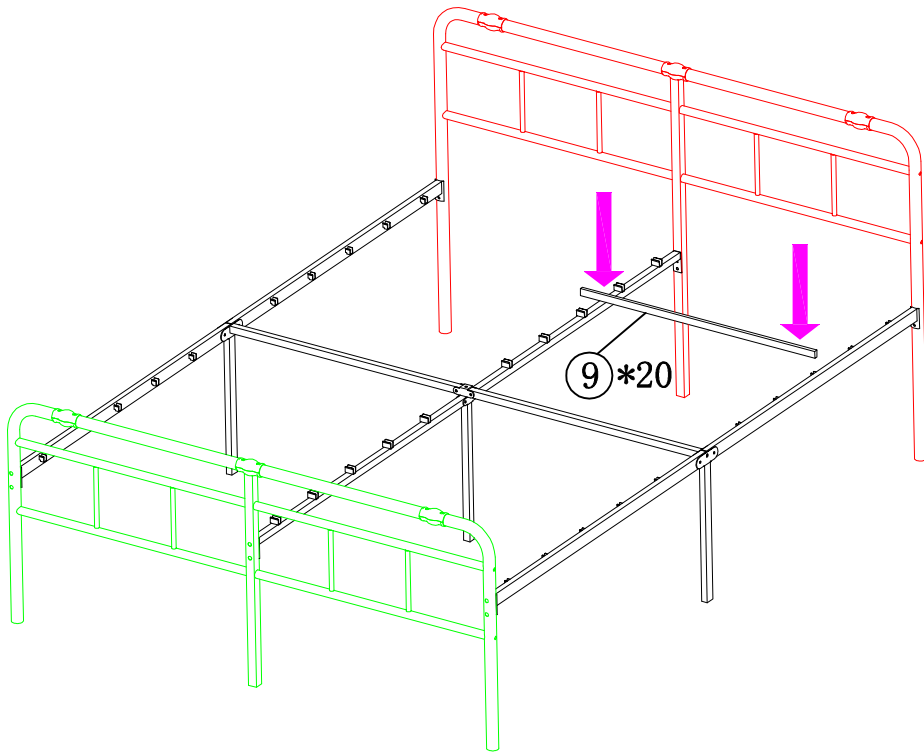
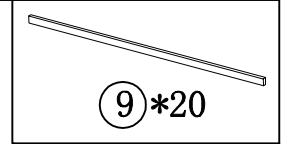


F*2
(M8*35)

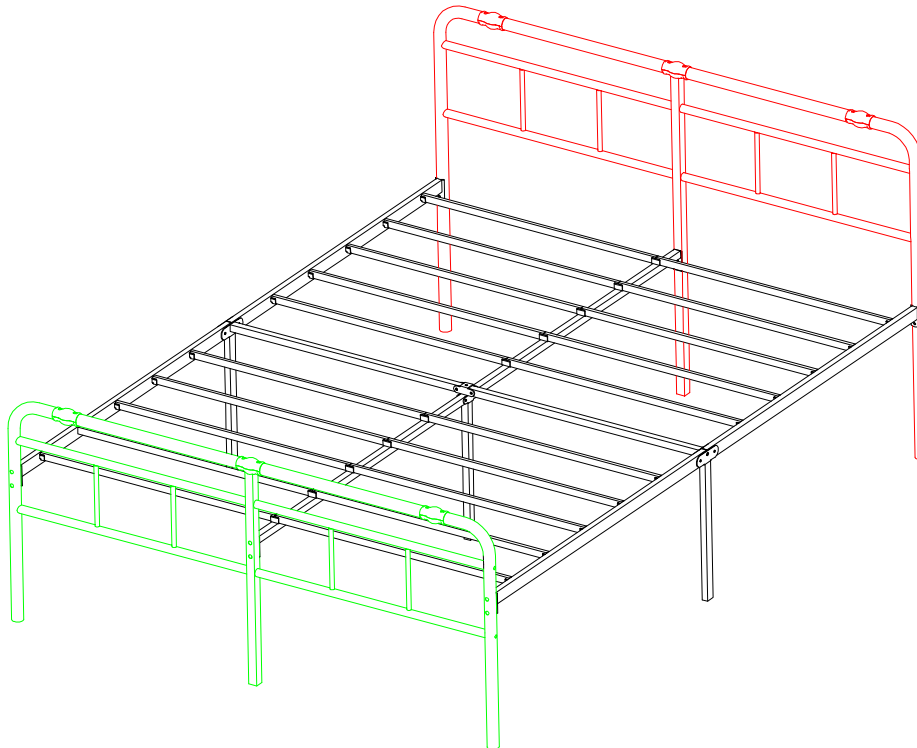


Step11

由 Autodesk 教育版产品制作



Step12



In the last step. please make sure all the screws are tightened.

由 Autodesk 教育版产品制作

由 Autodesk 教育版产品制作

由 Autodesk 教育版产品制作