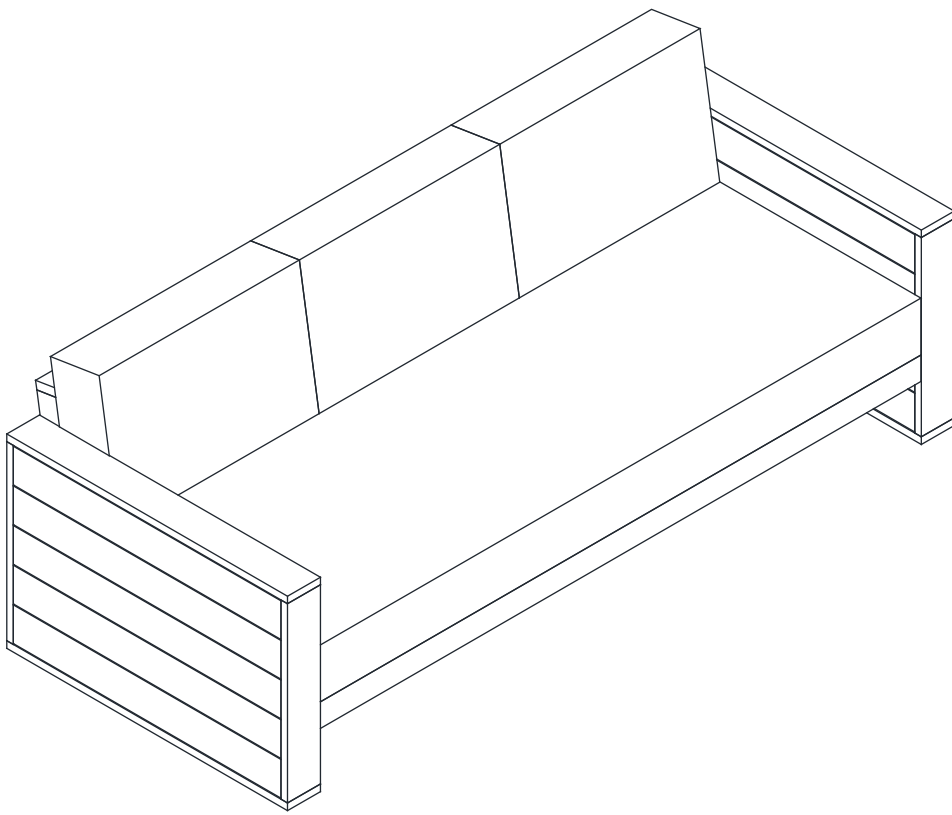


PATIO SOFA

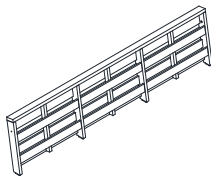
Assembly Instructions



Everything We make is incredibly simple to set up, including your new dining chair. You won't need any additional tools.

Parts & hardware

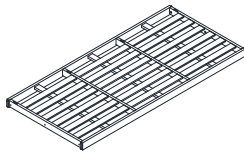
A x 1
Frame back



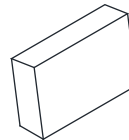
E x 2
Legs 3



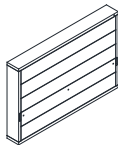
B x 1
Frame Seat



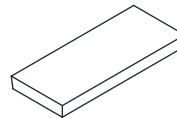
CSH 1 x 3
Back Cushion



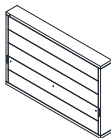
C x 1
Frame Leg 1



CSH 2 x 1
Seat Cushion



D x 1
Frame Leg 2



HW1 x 8
Allen Bolt: M6x0.5x40 mm



HW2 x 2
Allen Screw: M6x0.5x90 mm



HW3 x 2
Allen Bolt: M6x0.5x35 mm

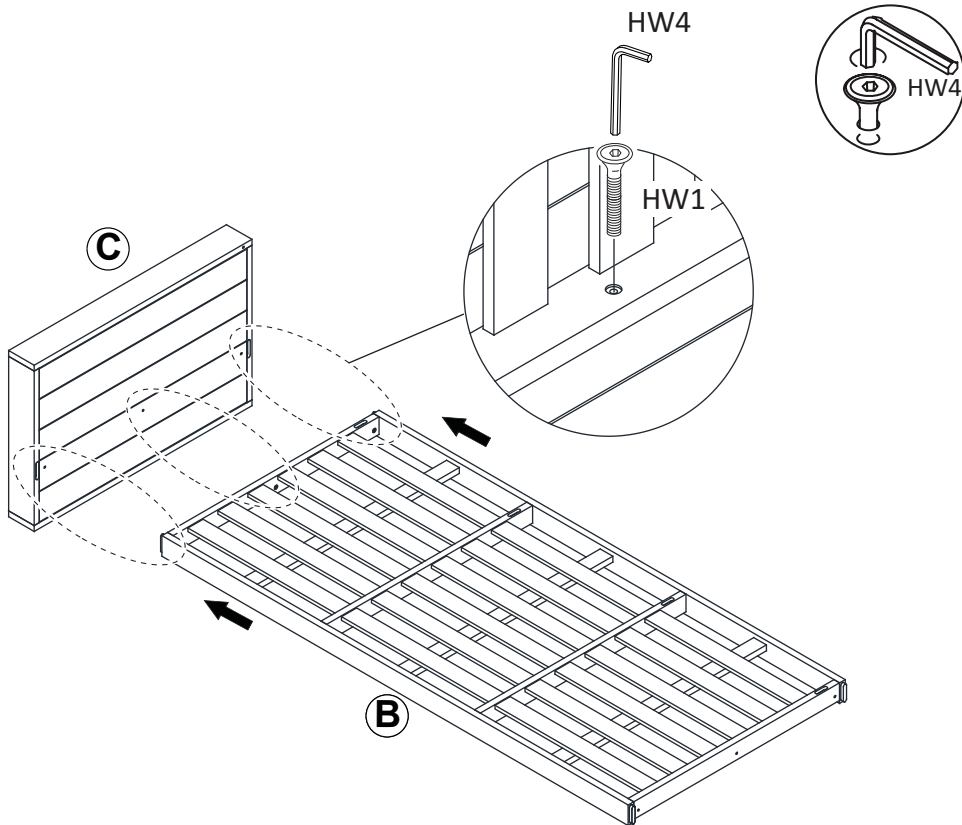


HW4 x 1
Allen key



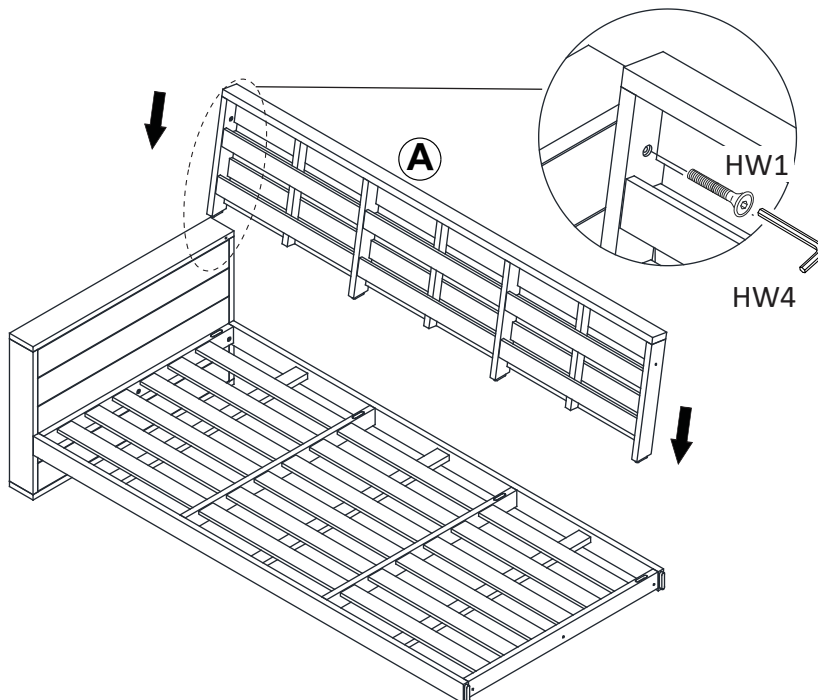
1

Attach Frame Leg 1 (C) to Frame Seat (B) ,use Bolt (HW1)
tighten with allen key (HW4).



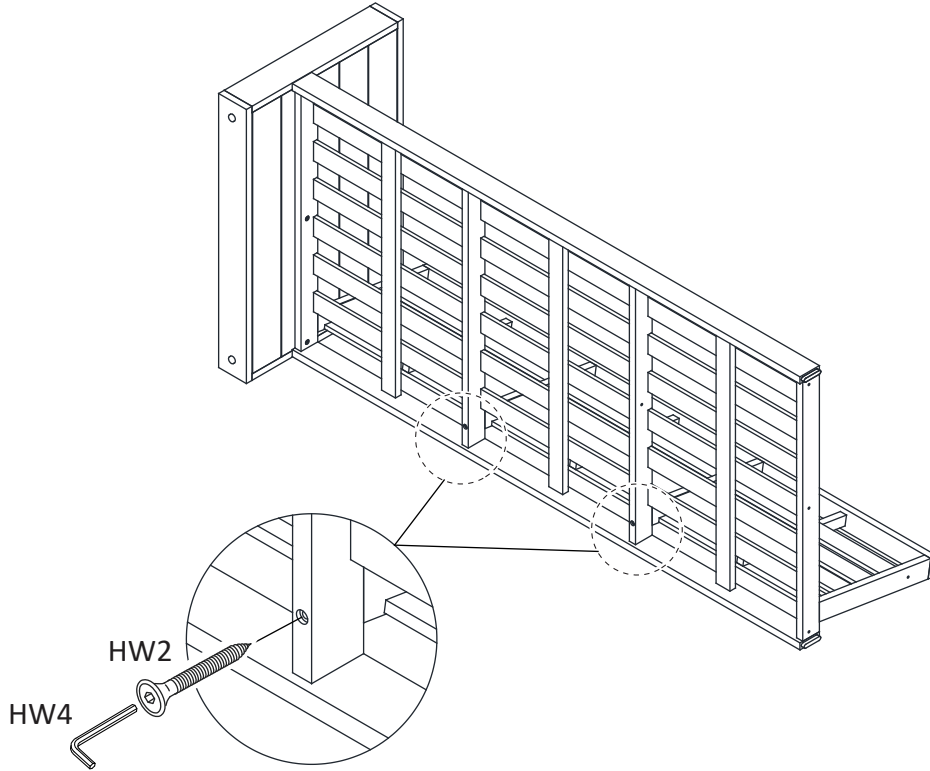
2

Attach Frame Back (A) to Frame Seat (B) ,use Bolt (HW1)
tighten with allen key (HW4).



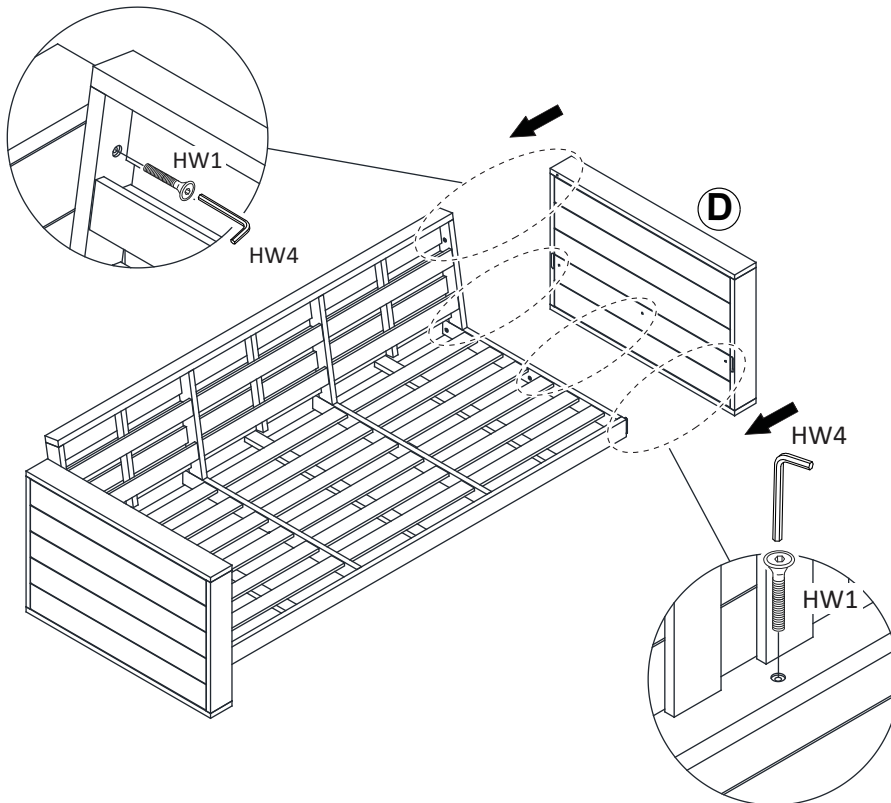
3

Use .Screw (HW2) tighten with allen key (HW4).



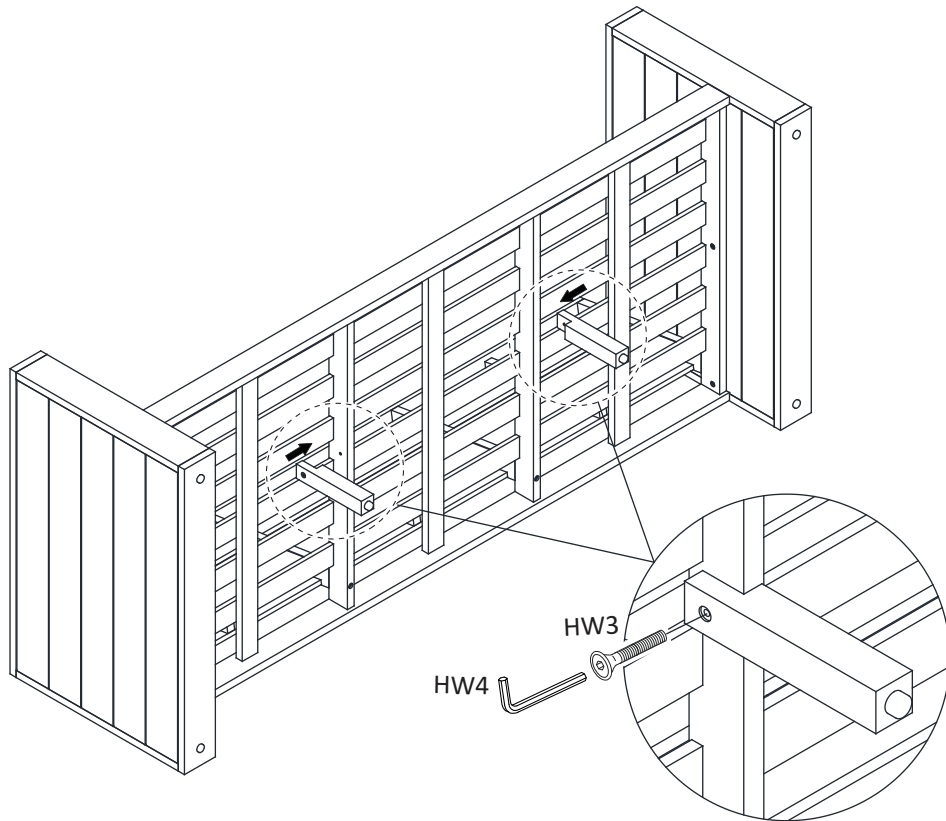
4

Attach Frame Leg 2 (D) to Frame Seat (B) ,use Bolt (HW1) tighten with allen key (HW4).



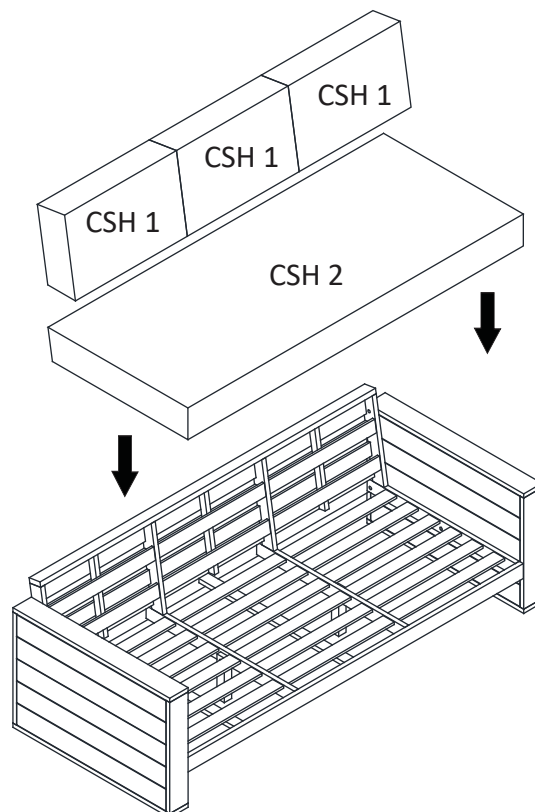
5

Attach Leg 3 (E) to Frame Seat (B) ,use Bolt (HW3)
tighten with allen key (HW4).



6

Attach cushion (CSH1,CSH2) in chair .



7
Complete.

