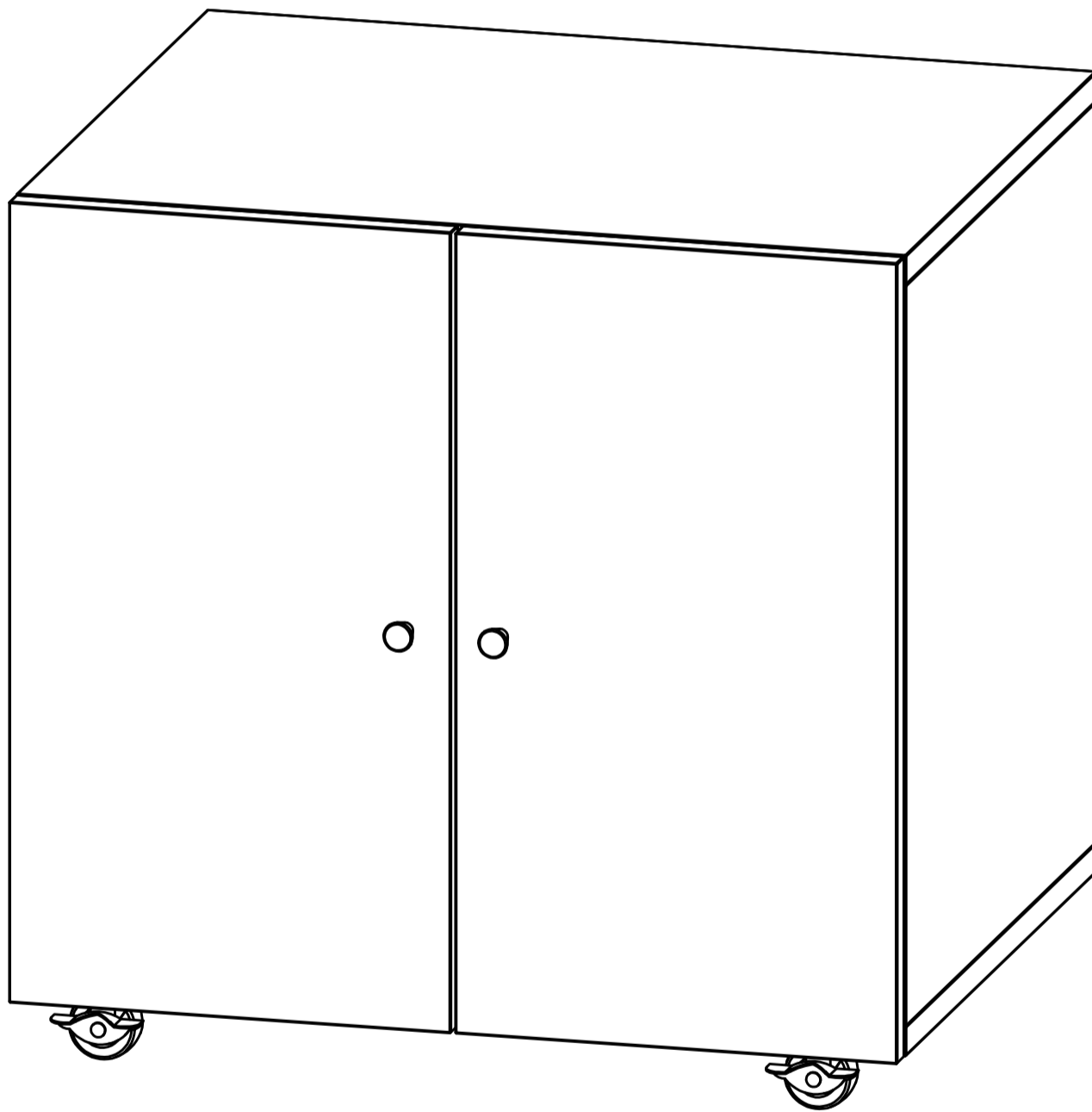
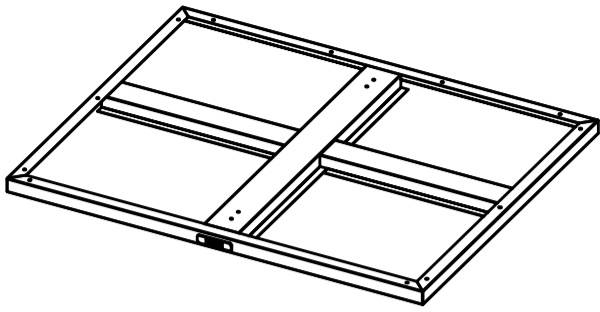


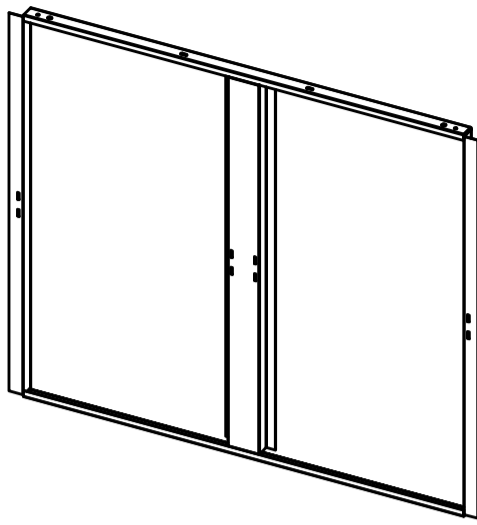
Installation & Assembly



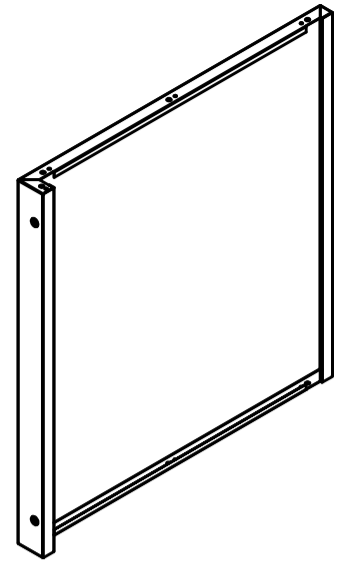
NOTE: Please find a helper to help you assemble it, this is very necessary



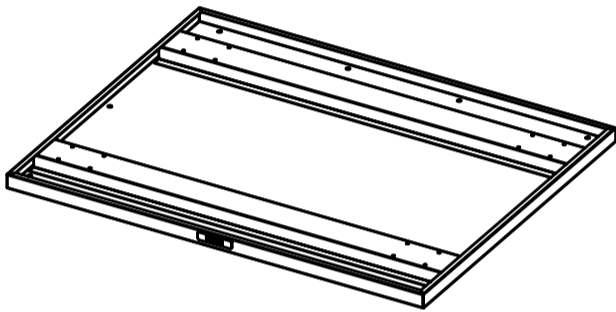
A: Top panel



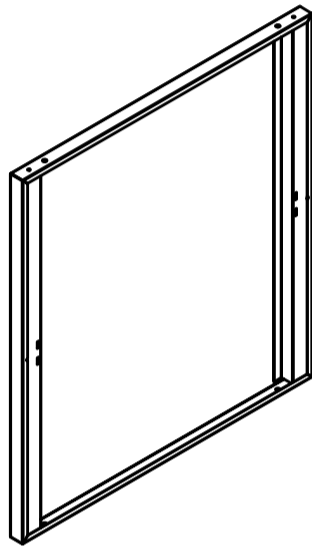
B: Back panel



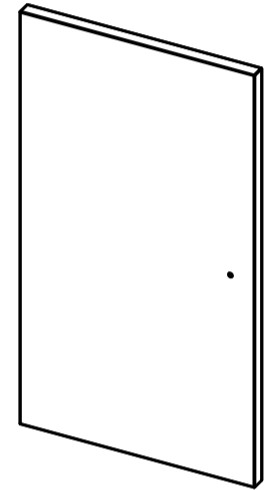
C: Side panel x2



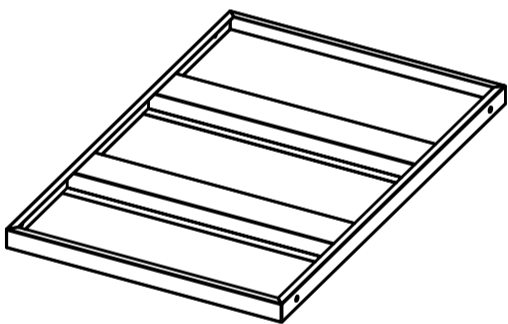
D: Bottom panel



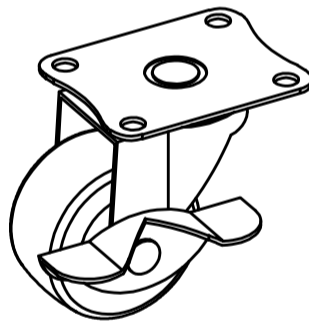
E: Middle panel



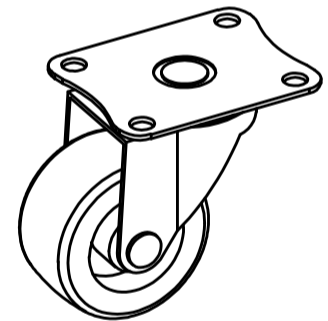
F: Door x2



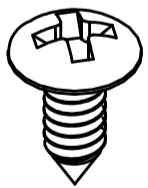
G: Shelf x2



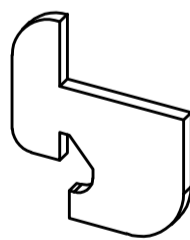
H: Front wheel x2



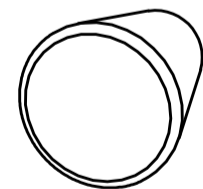
I: Rear wheel x2



K: 5X12mm Screw x44



L: Shelf support x8



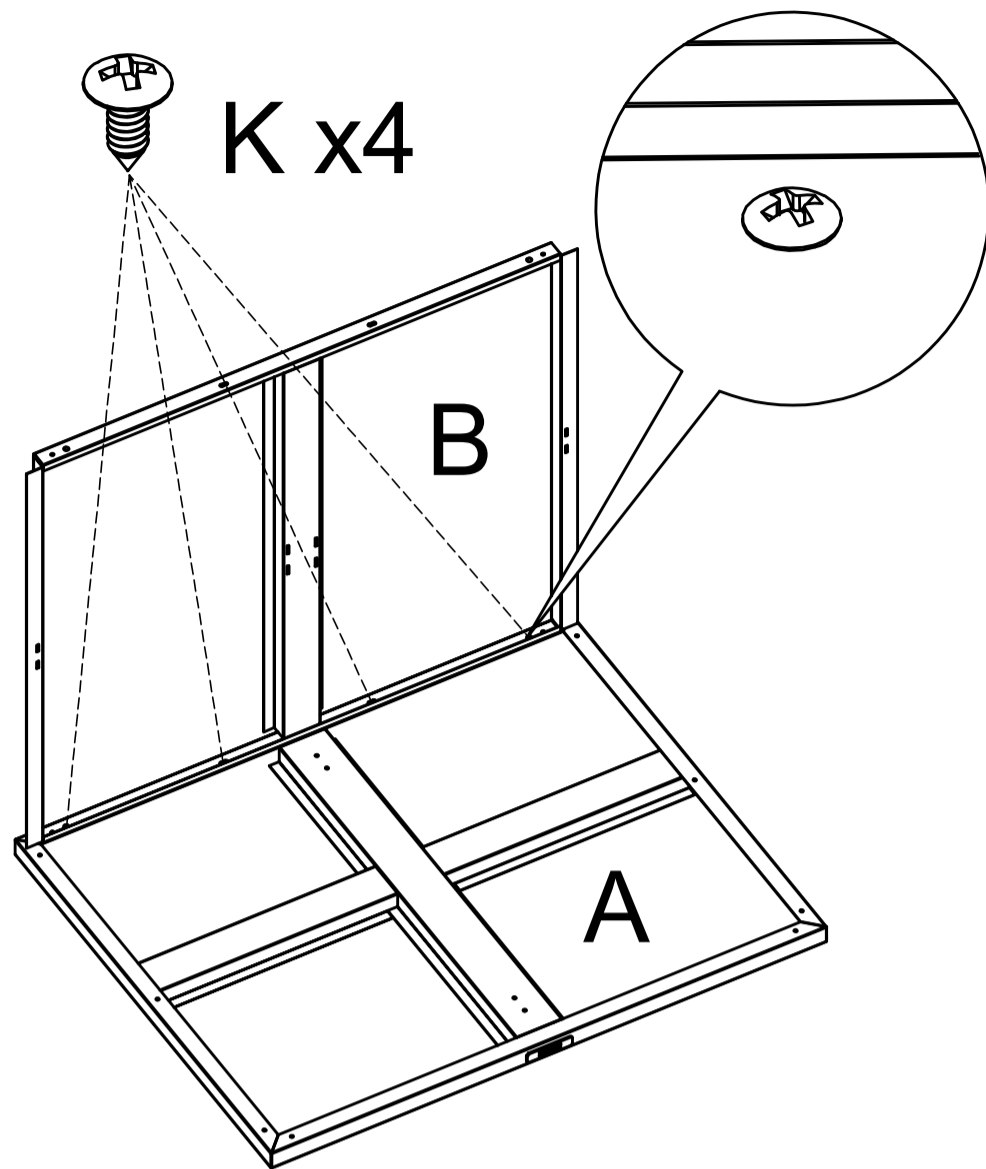
M: Hold hands x2



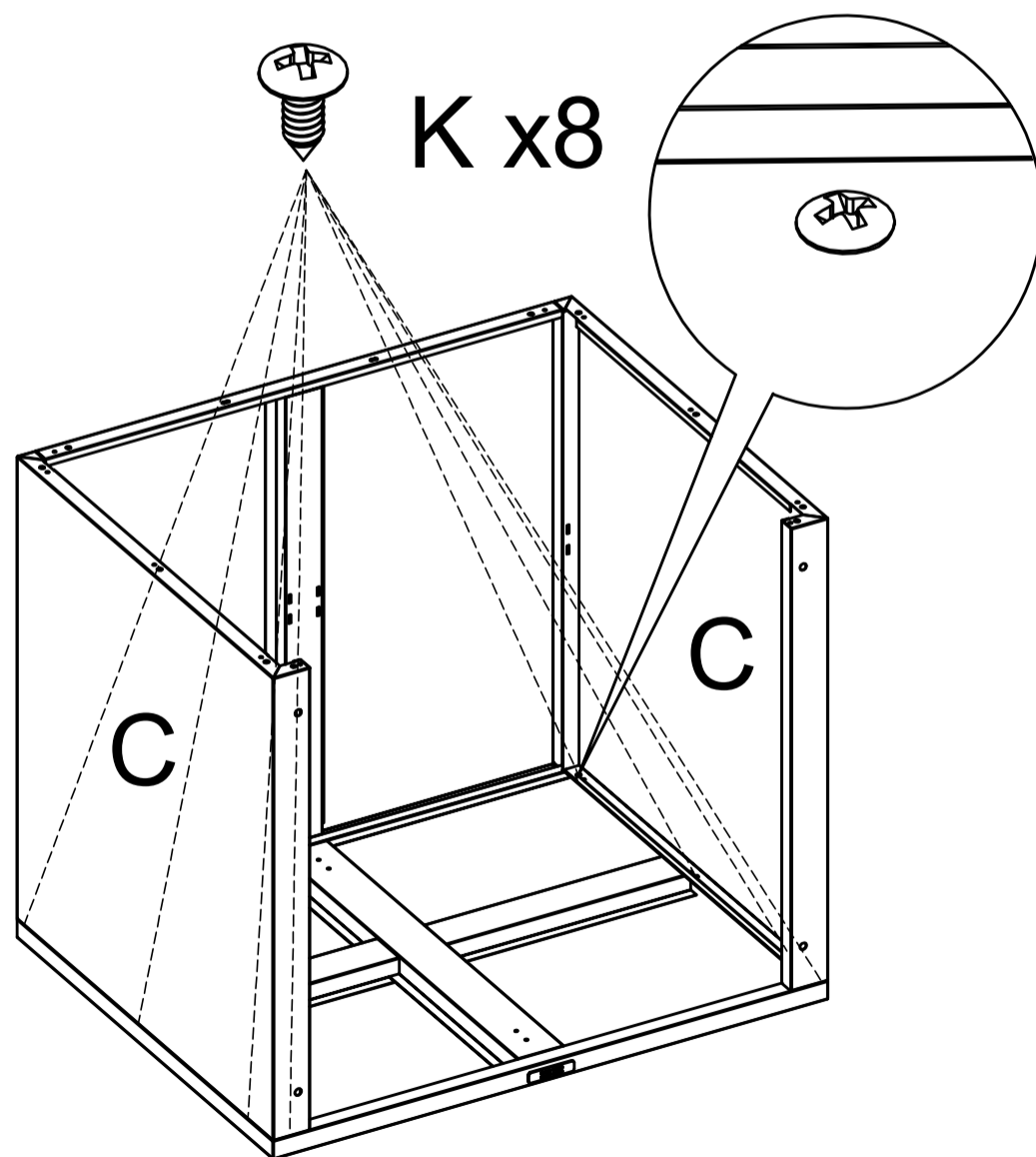
N: Hand screw x2



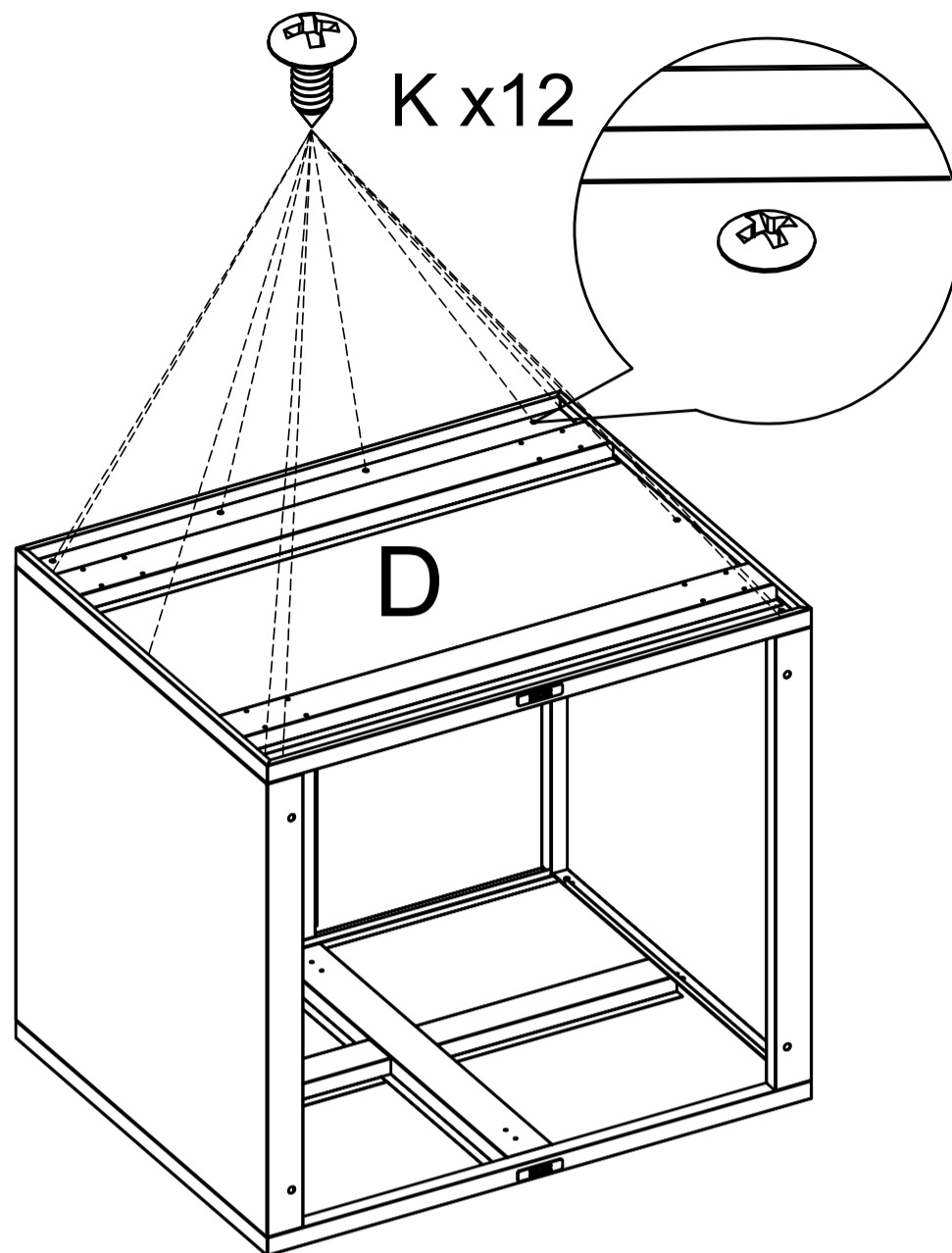
Q: 4x8mm Screw x4



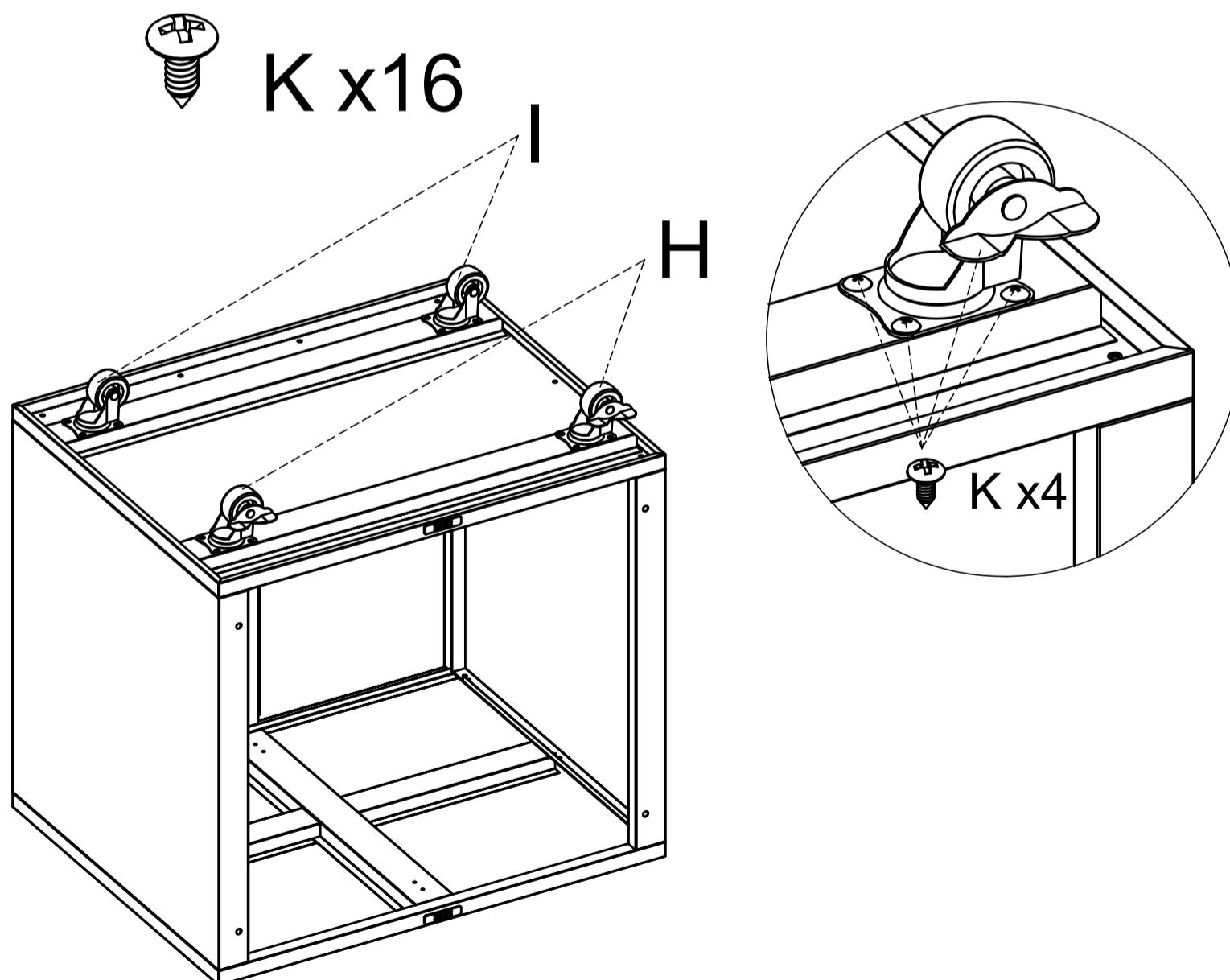
1.Assemble A and B, secure with screws K



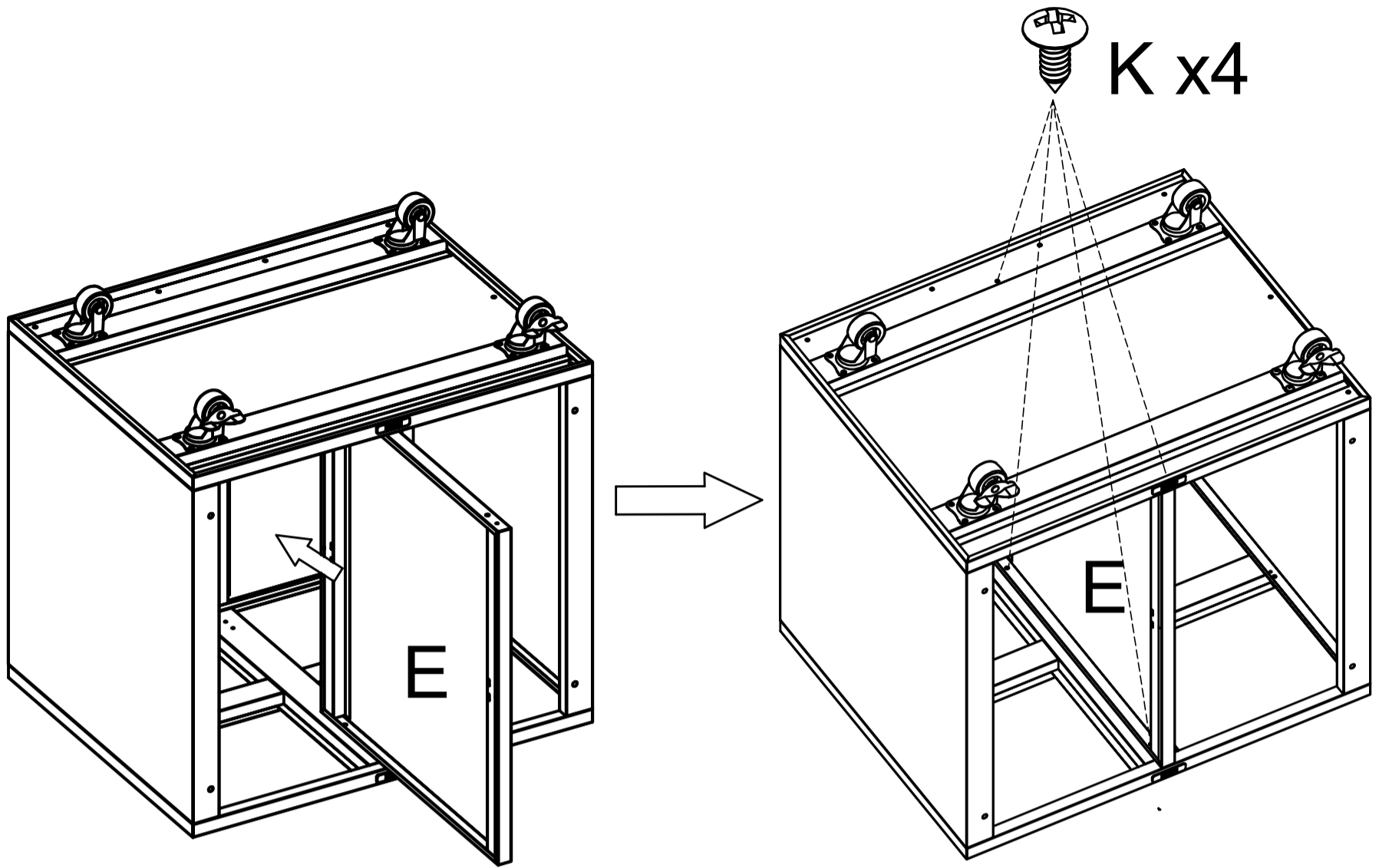
2.Assemble C, secure with screws K



3. Install D, secure with screws K

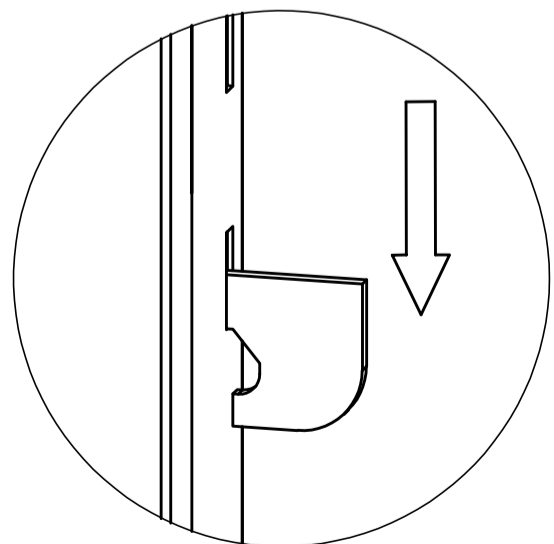
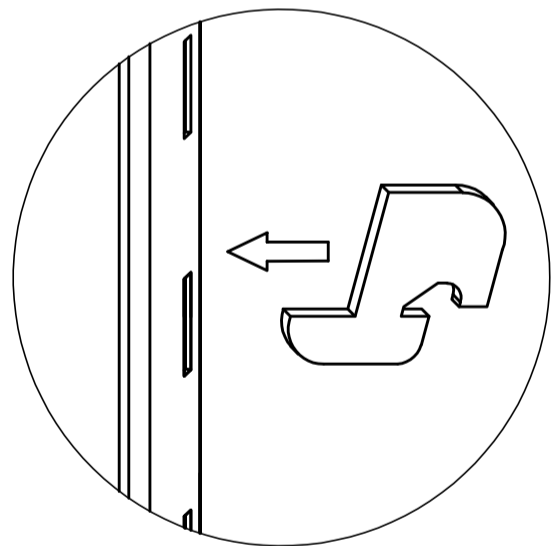
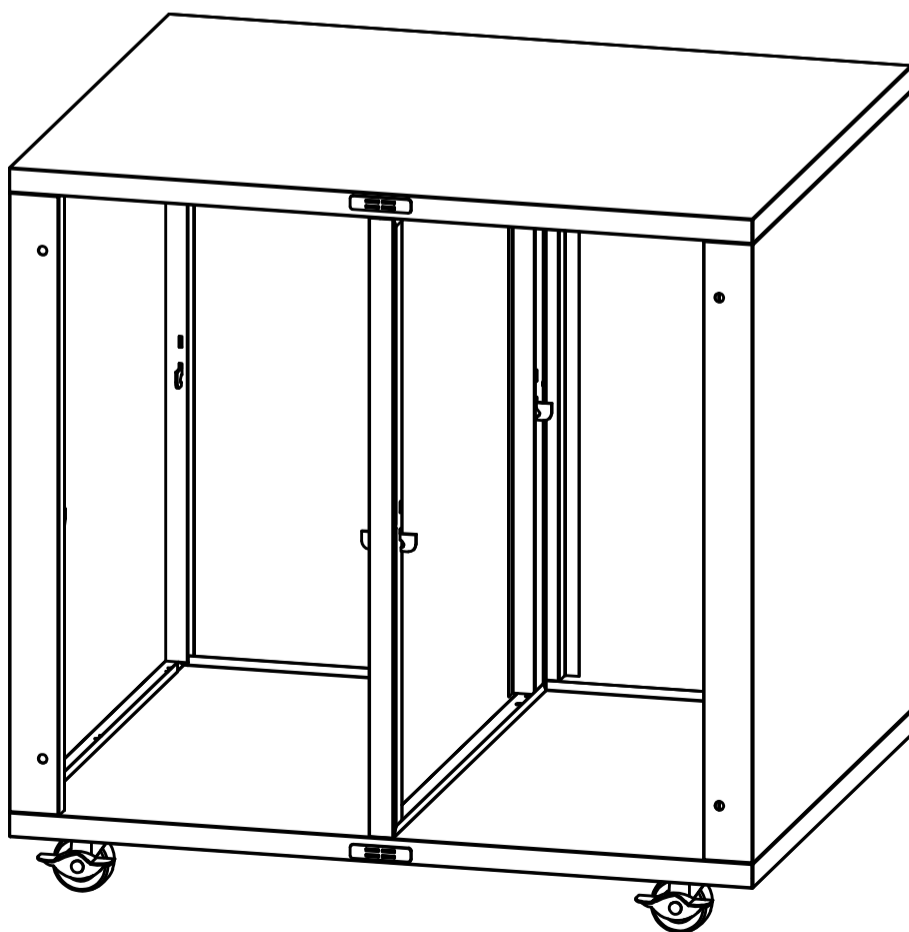


4. Install H and I, secure with screws K

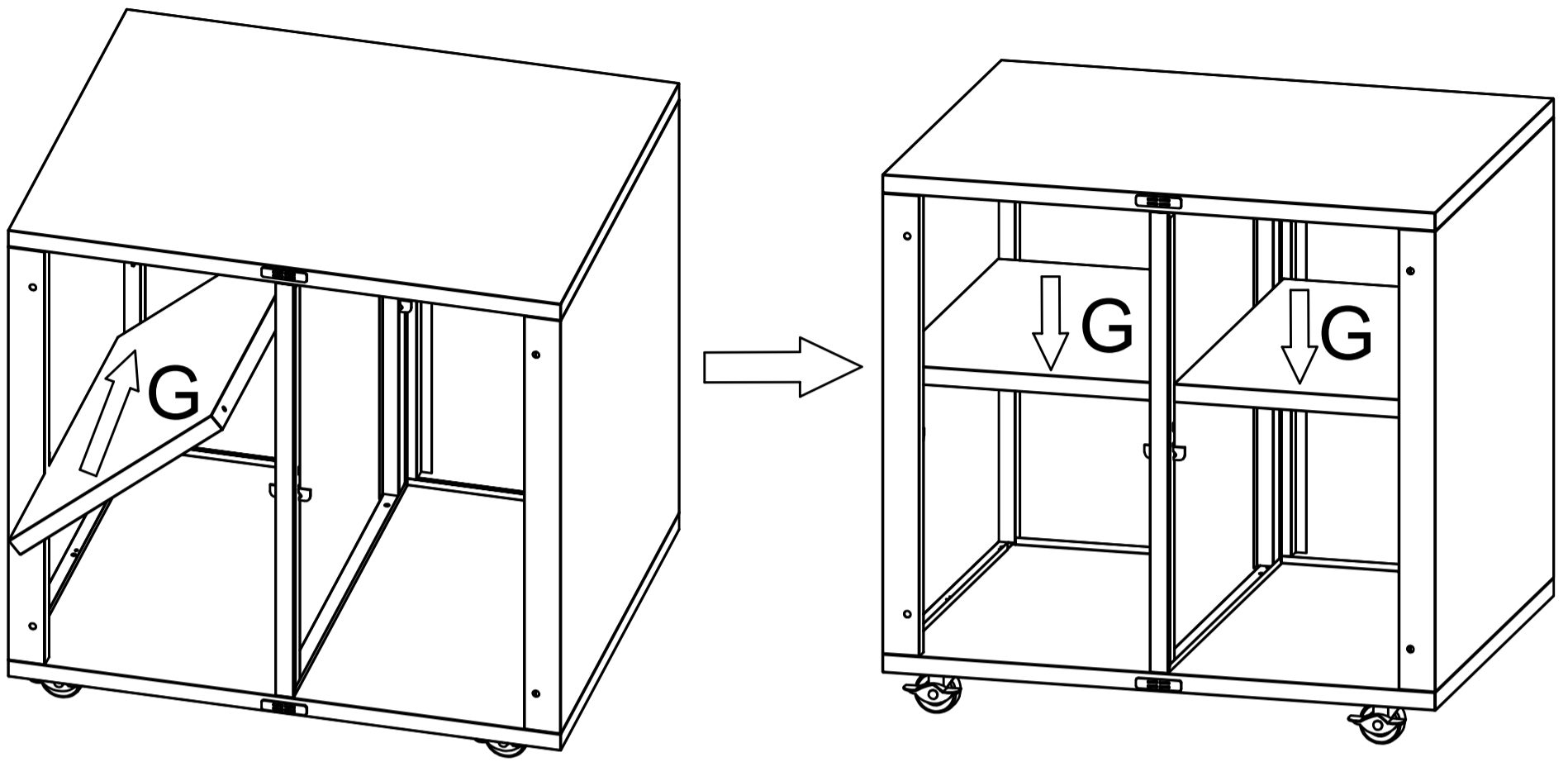


5. Install E, secure with screws K

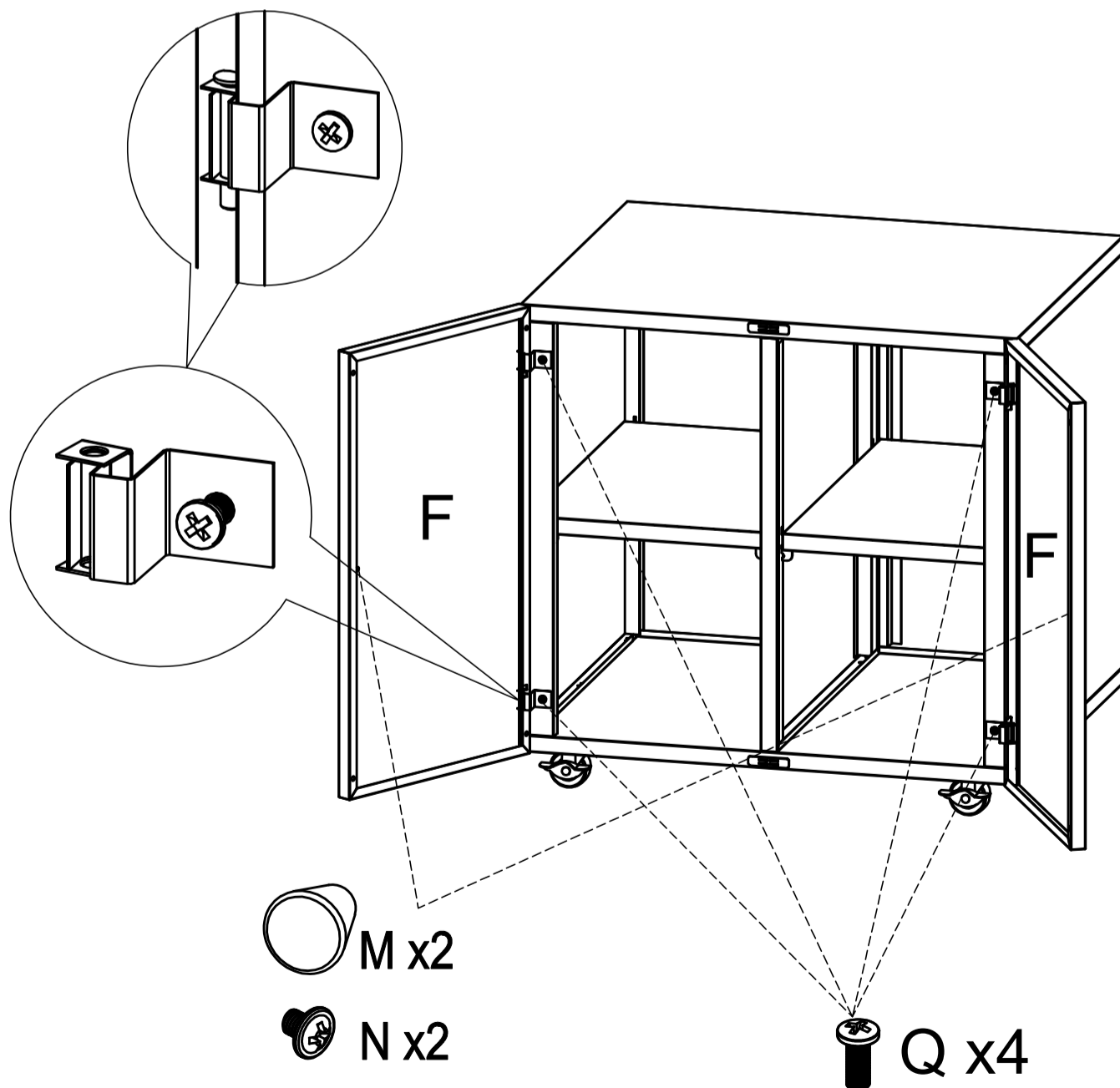
Shelf support  L x8



6. Install L



7. Install G



8. Install M, secure with screws N. Install F, secure with screws Q