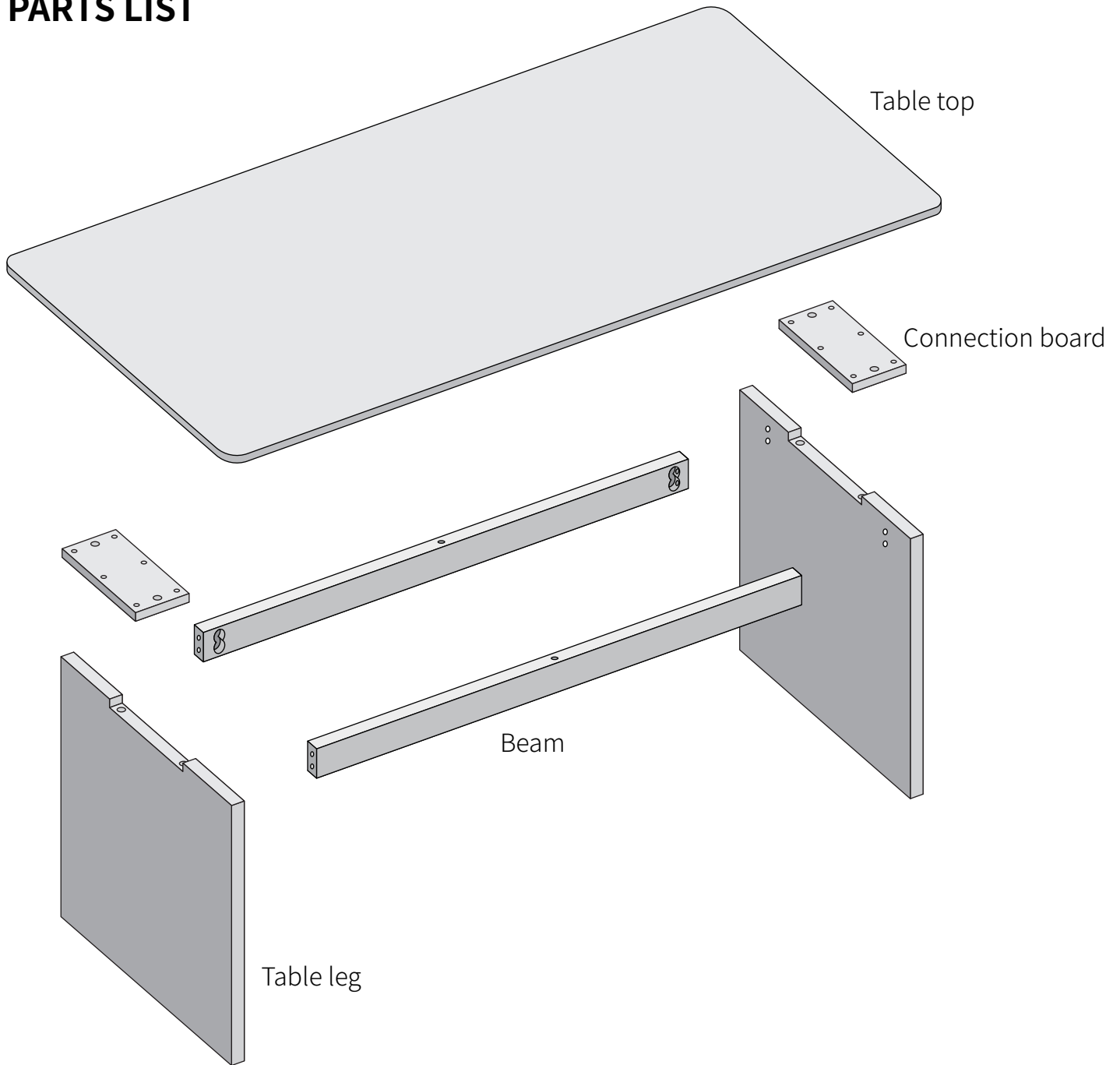
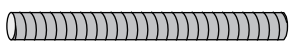


INSTALLATION INSTRUCTIONS

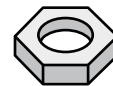
PARTS LIST



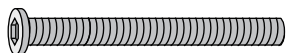
The extra parts are for spare



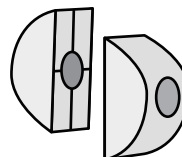
Double-headed screw x8



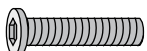
Nut x8



Long screw x2



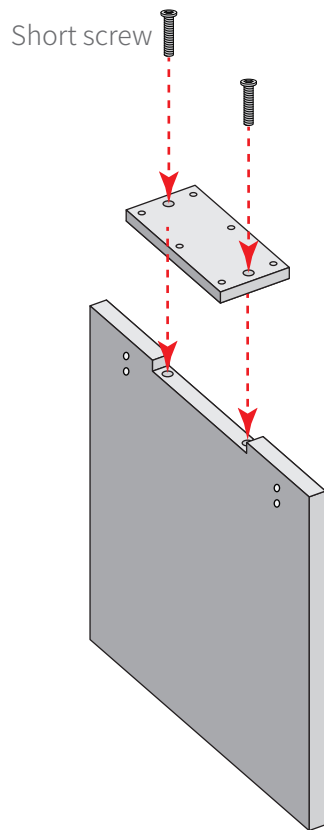
Semicircular nut x8



Short screw x16

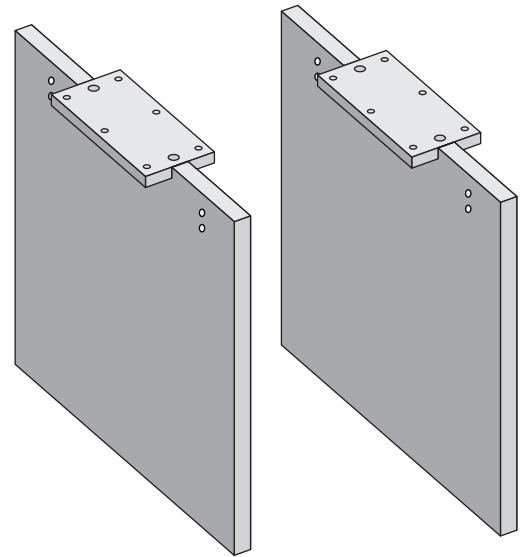


Hex key



STEP 1

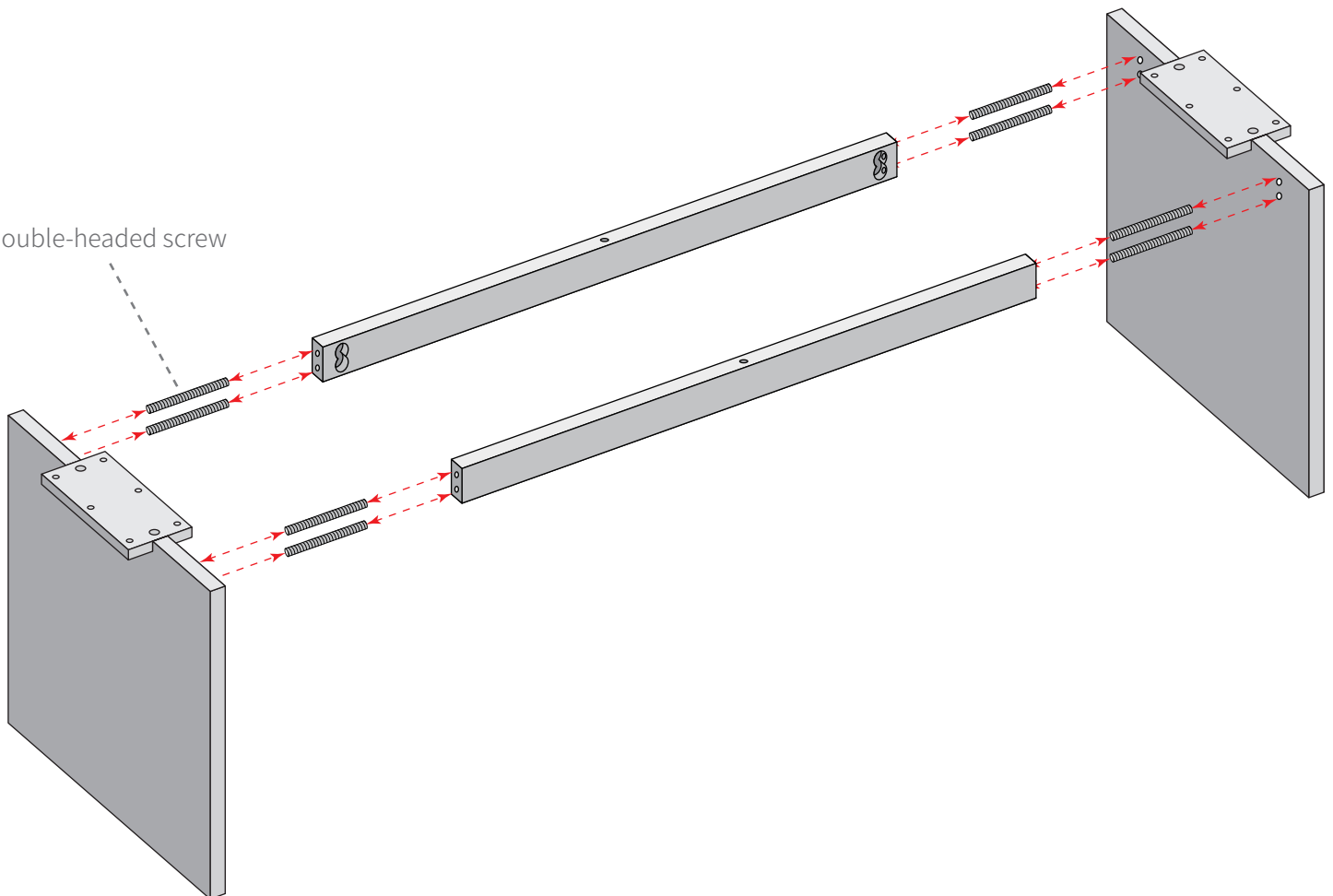
Install the Connection board above the table legs and secure it with short screws.



STEP 2

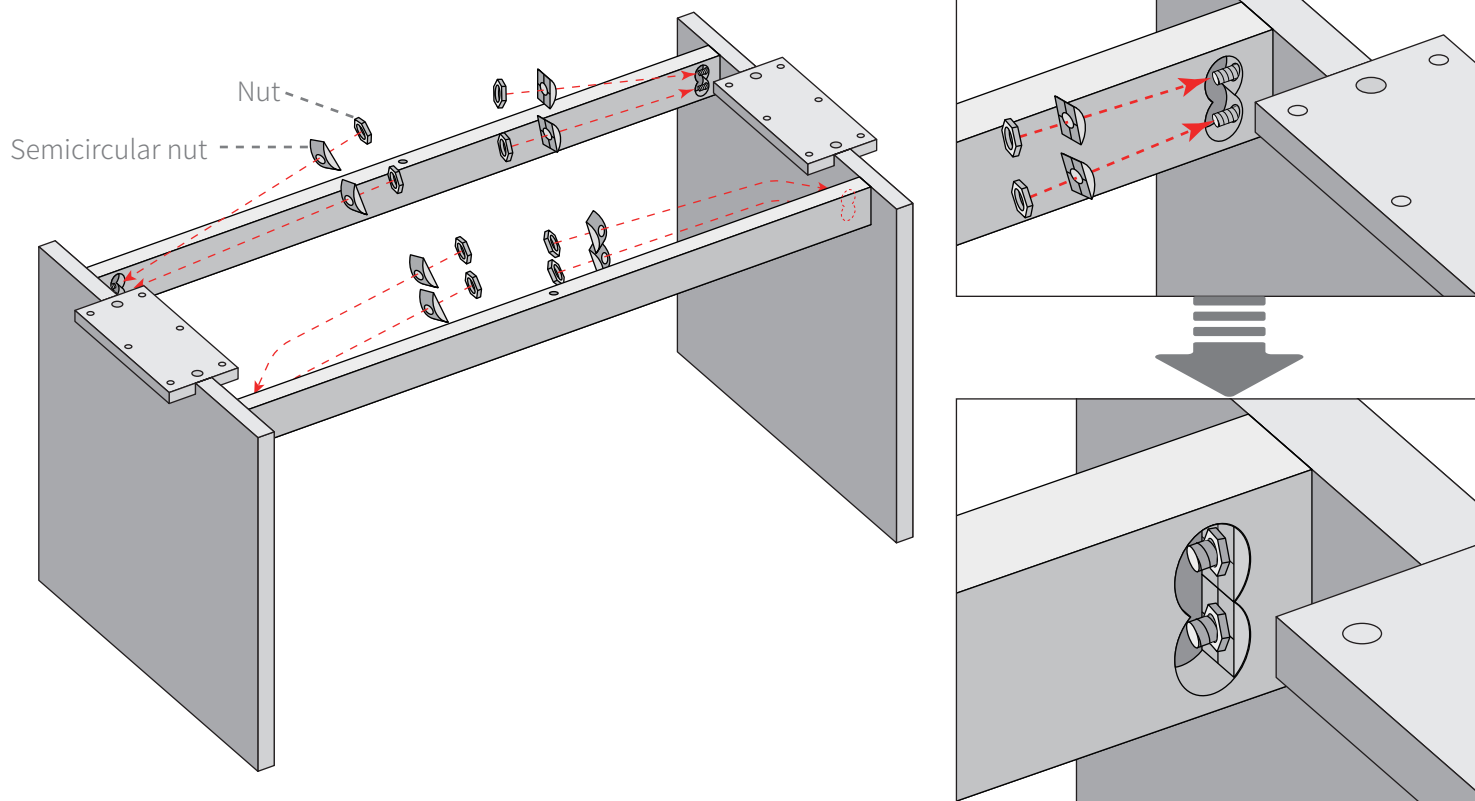
Connect the beam and the table legs together using Double-headed screws.

Double-headed screw



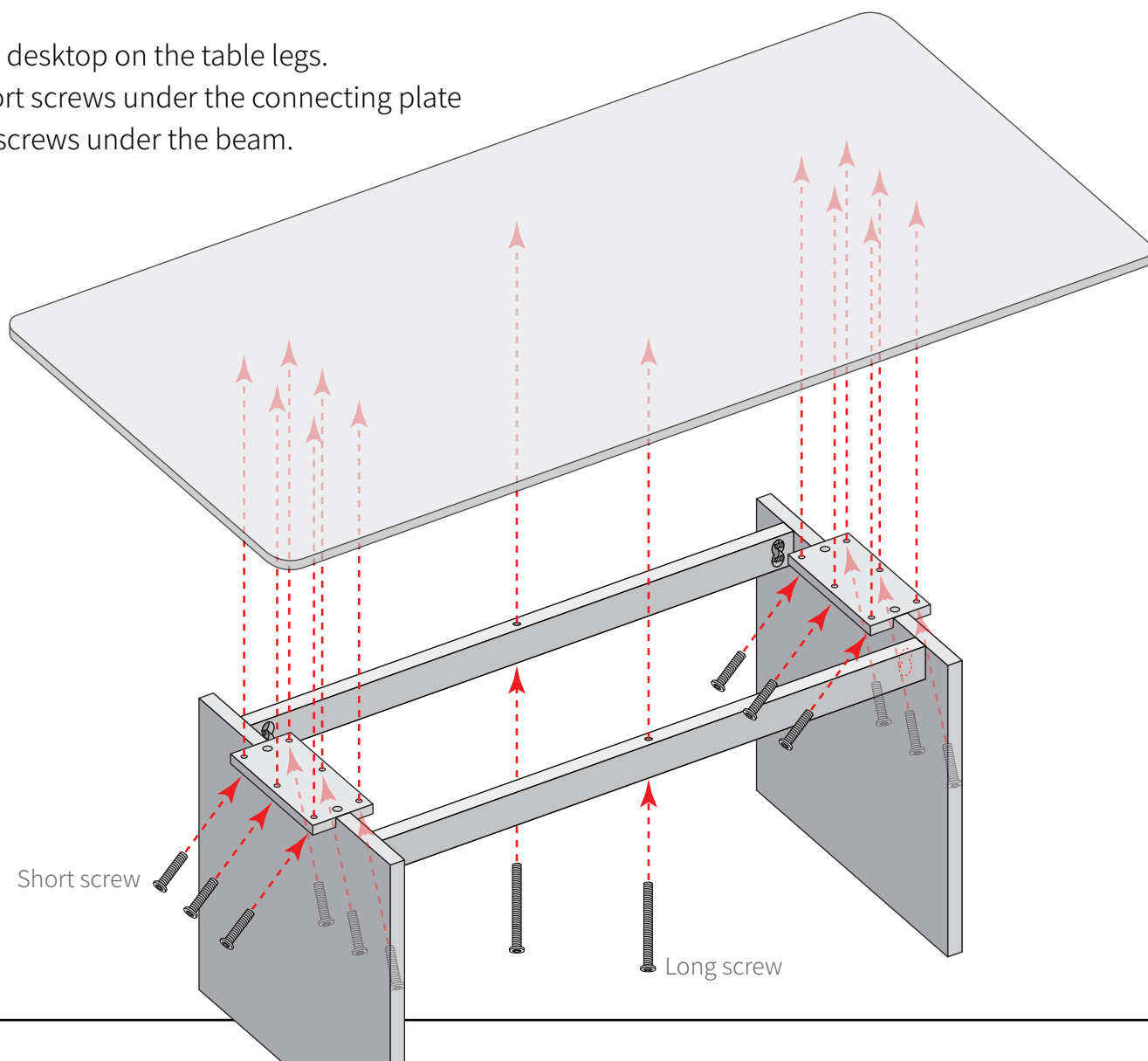
STEP 3

Fix the double-headed screws with Semicircular nuts and nuts.

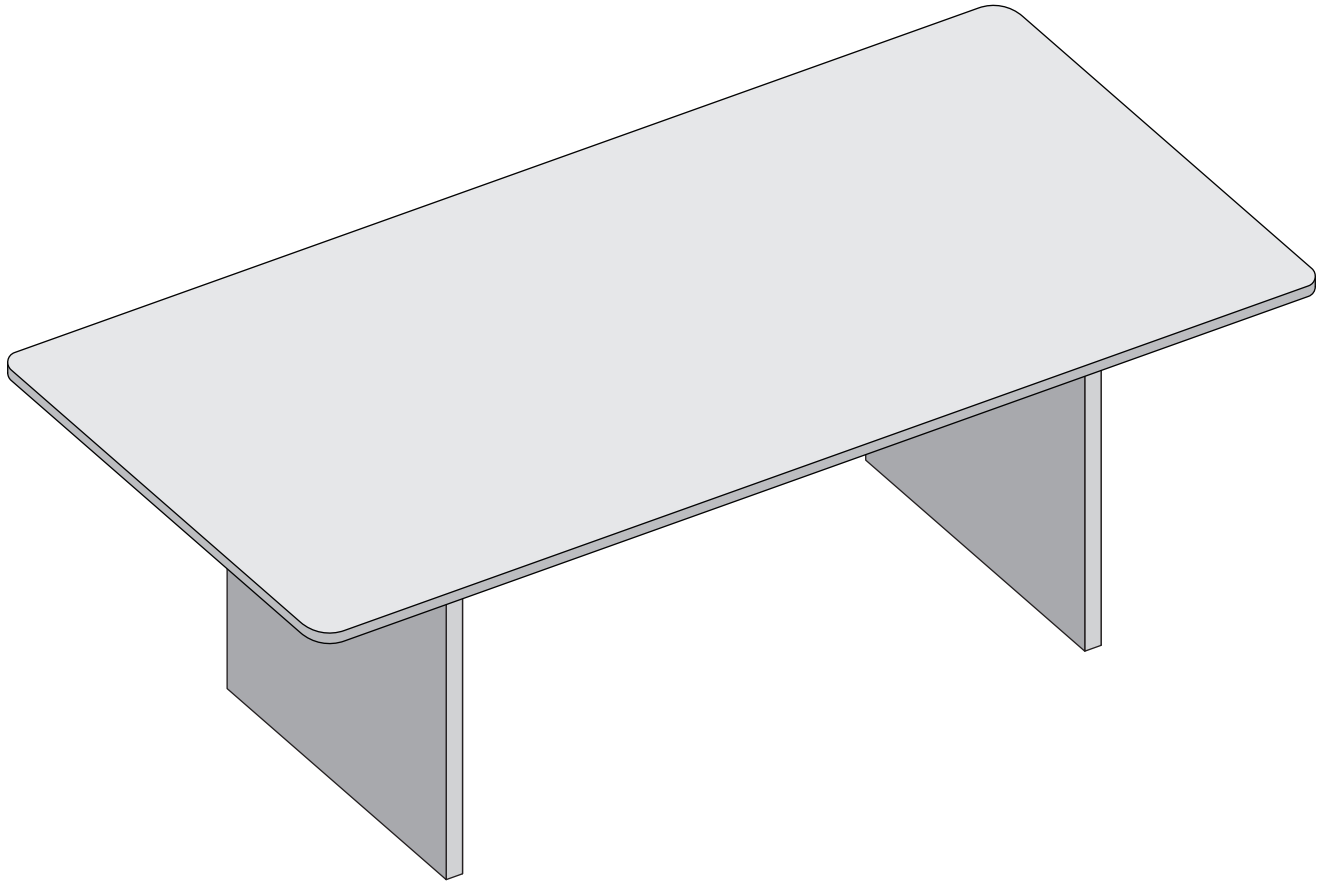


STEP 4

Install the desktop on the table legs.
Install short screws under the connecting plate
and long screws under the beam.



INSTALLATION COMPLETED



MARBLE CLEANING. MAINTENANCE. PRECAUTIONS

· REGULAR CLEANING:

The marble should be cleaned with special cleaning agents to avoid damaging the surface structure. In general, a neutral cleaner, such as alcohol or warm water, should be used and then wiped with a clean cloth to maximize the cleaning of the surface

· DECONTAMINATION:

To remove dirt on the marble, you can use a one-time wet, and then rinse it off with water. If there is oil, you can use dish soap, but be careful not to use too much, So as not to break the internal structure of the marble.

· MAINTENANCE:

The marble should be regularly maintained with paraffin wax to increase the surface light, and to effectively protect the surface from pollution erosion. In addition, it is also important to polish the marble regularly to maintain the finish and water resistance.

· NOTE:

When cleaning, note: do not use detergent containing acid components, do not use metal or other hard objects to clean the marble, so as not to wear the surface.