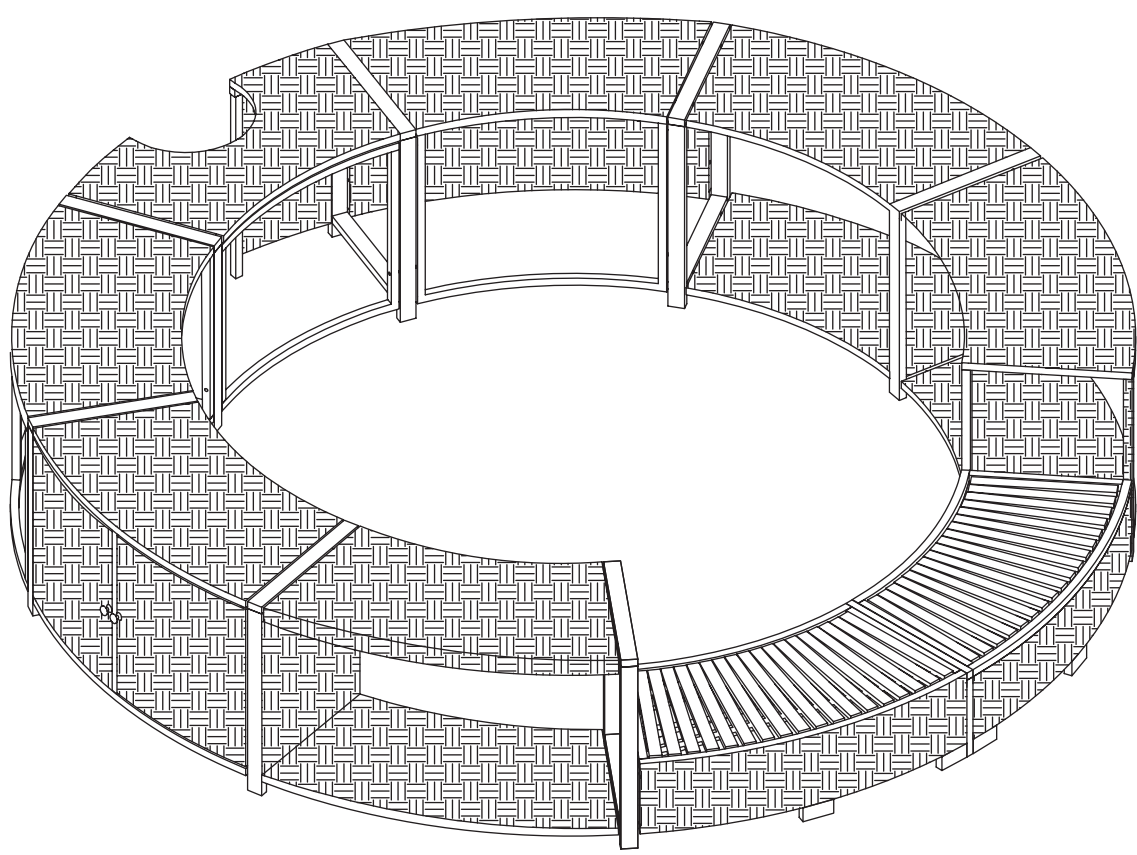
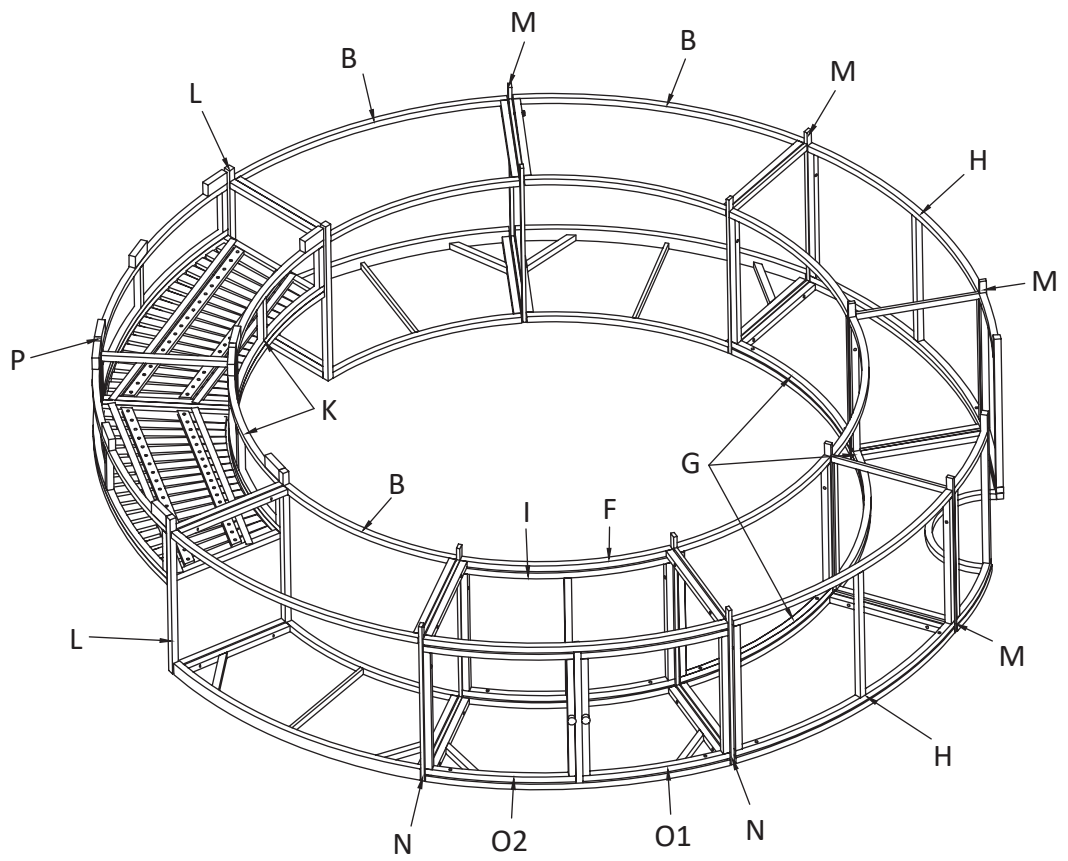
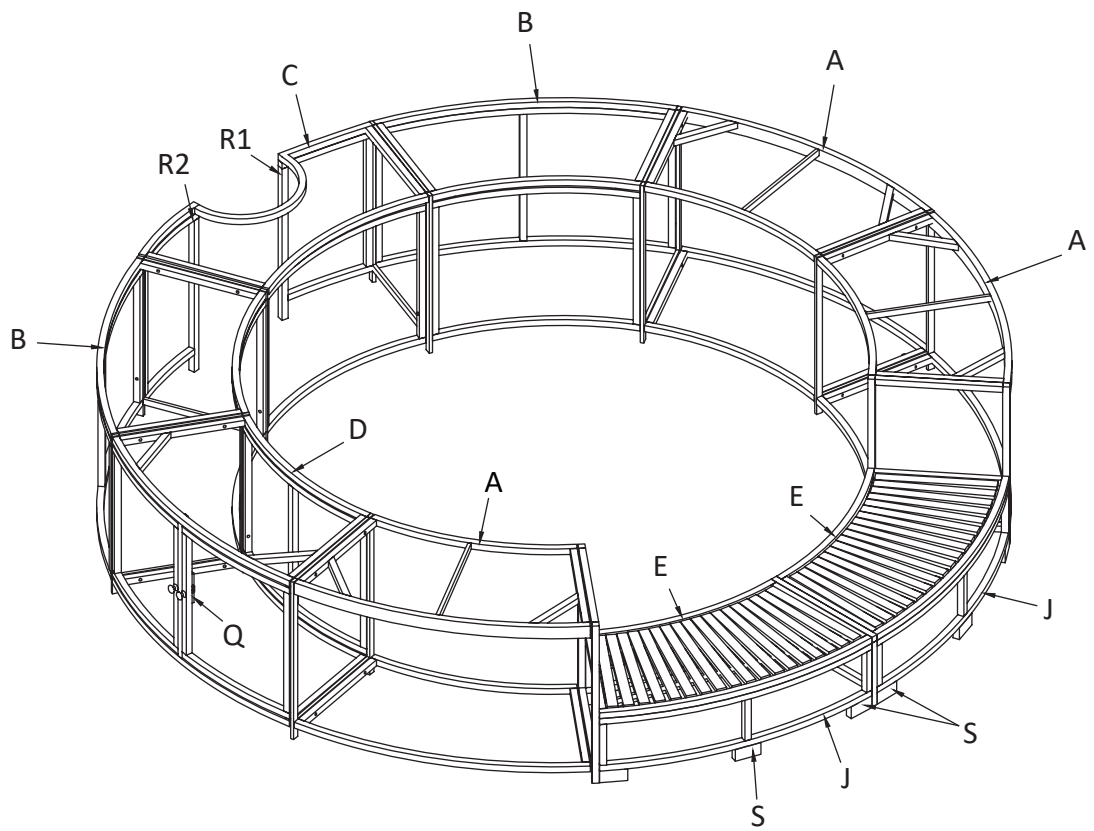
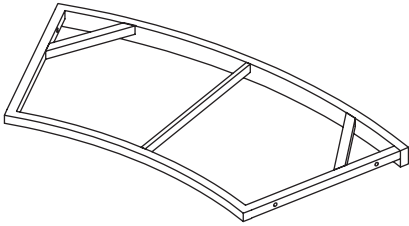


mm
inch
x2

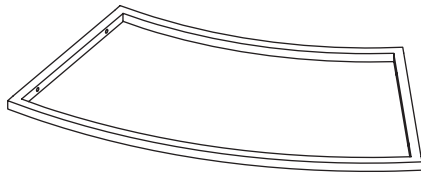




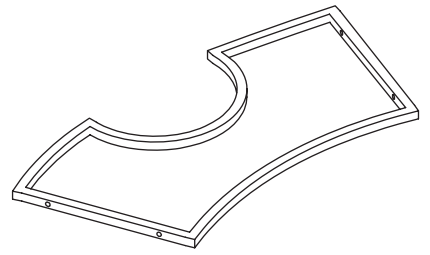
Ax3



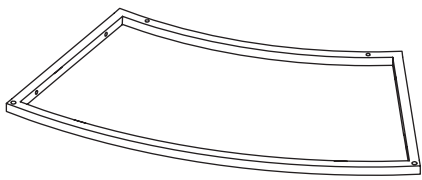
Bx5



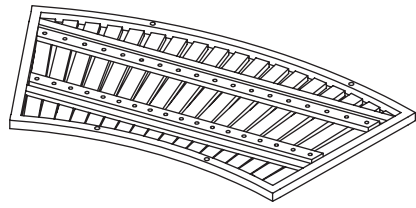
Cx1



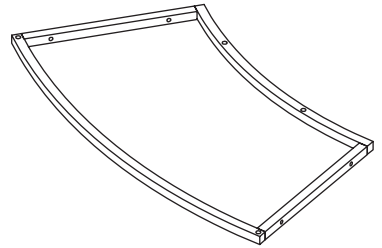
Dx1



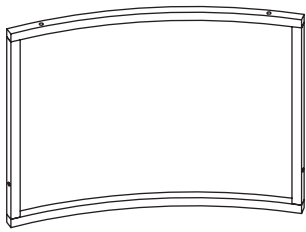
Ex2



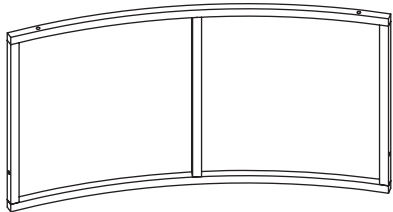
Fx1



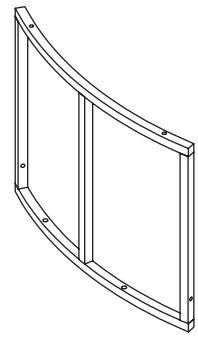
Gx3



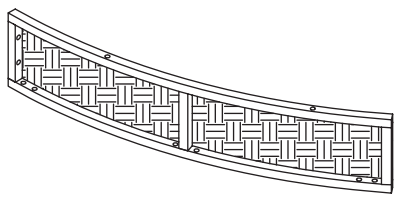
Hx2



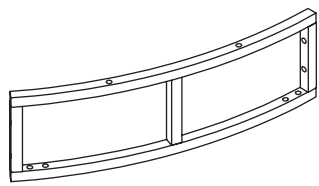
Ix1



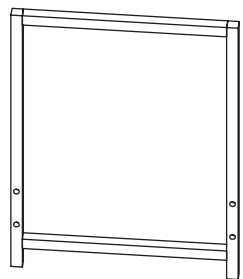
Jx2

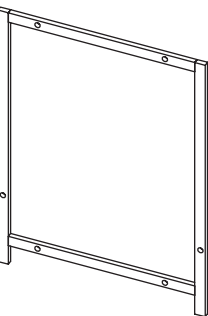
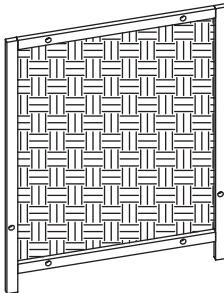
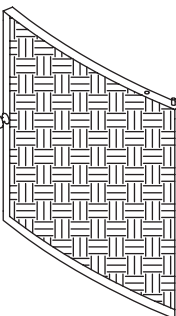
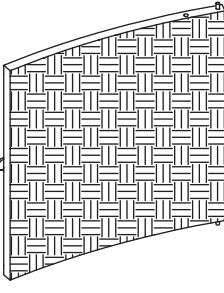
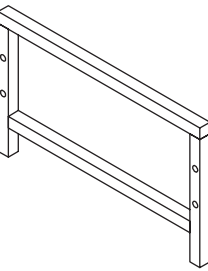
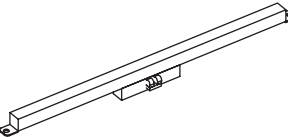
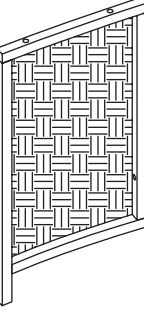
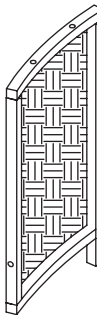
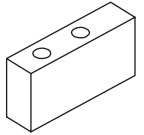


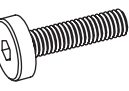
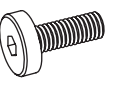
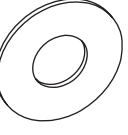
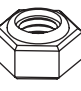
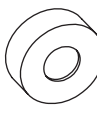
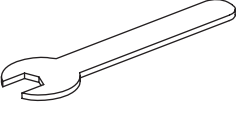
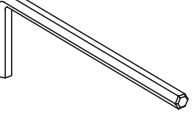




Kx2

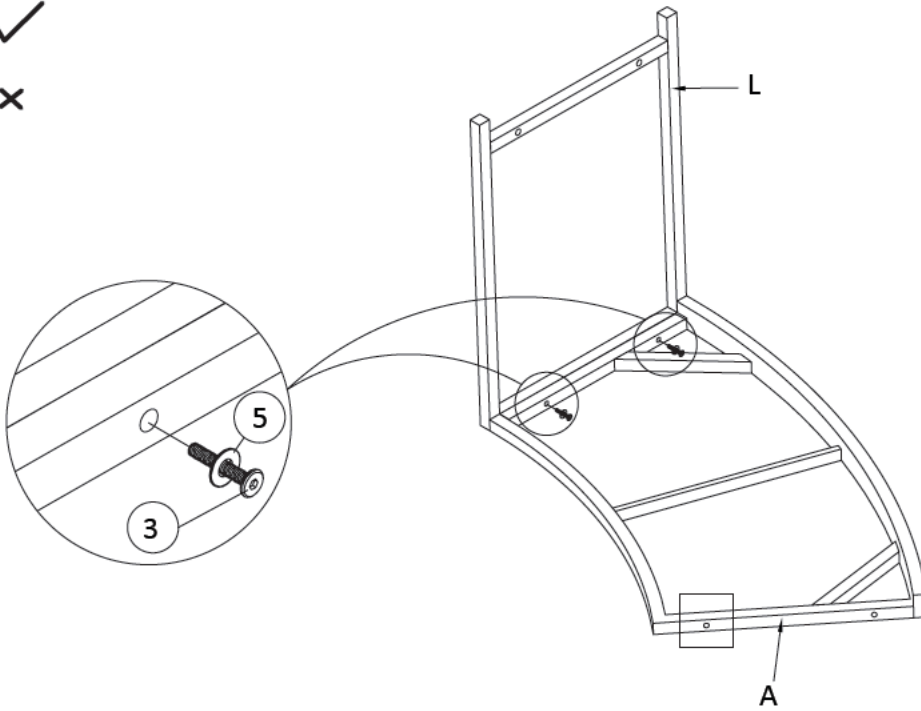
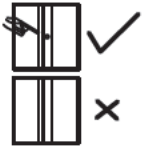




Lx2



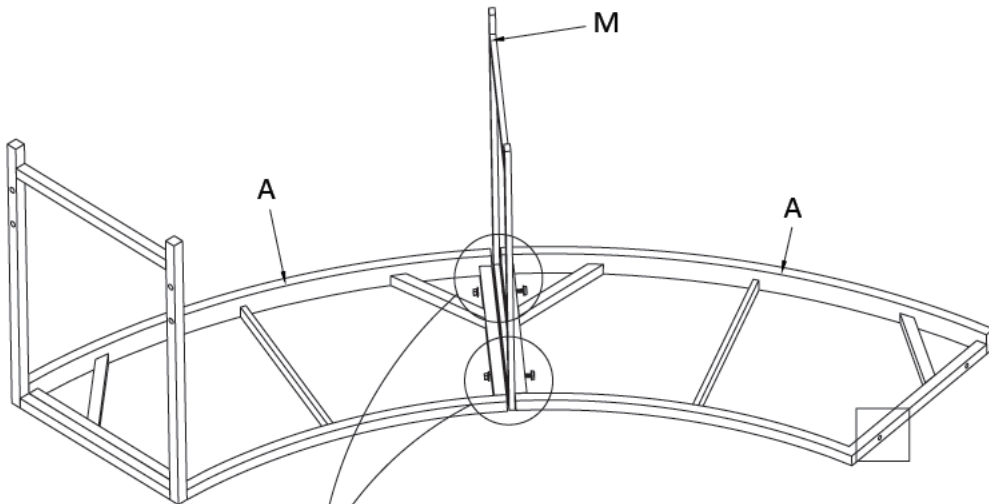
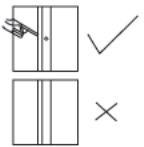
Mx4 	Nx2 	O1x1 	O2x1 
Px1 	Qx1 	R1x1 	R2x1 
Sx10 	① x9  M6x $\frac{65}{2.6}$	② x6  M6x $\frac{45}{1.8}$	③ x18  M6x $\frac{35}{1.4}$
④ x2  M6x $\frac{15}{0.6}$	⑤ x126  M6x $\frac{16x1}{0.6x0.04}$	⑥ x31 	⑦ x4  M6x $\frac{5}{0.2}$
⑧ x1 	⑨ x3 	⑩ x44  M6x $\frac{30}{1.2}$	⑪ x16  M6x $\frac{80}{3.1}$




1



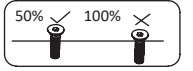
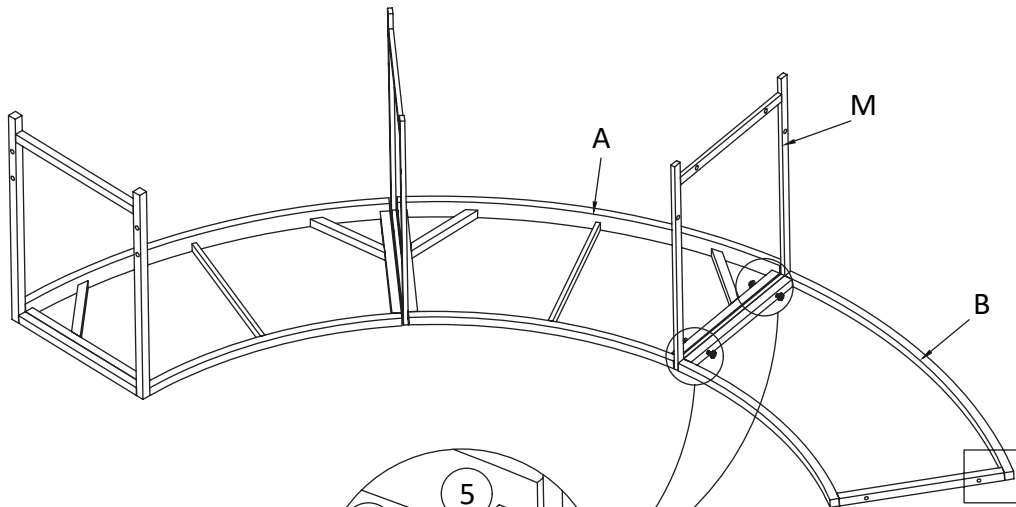
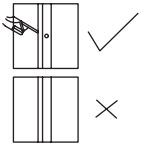
- 3 x2
 M6x $\frac{35}{1.4}$
- 5 x2
 M6x $\frac{16x1}{0.6x0.04}$

2




- 11 x2
 M6x $\frac{80}{3.1}$
- 5 x4
 M6x $\frac{16x1}{0.6x0.04}$
- 6 x2


3



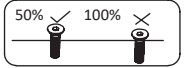
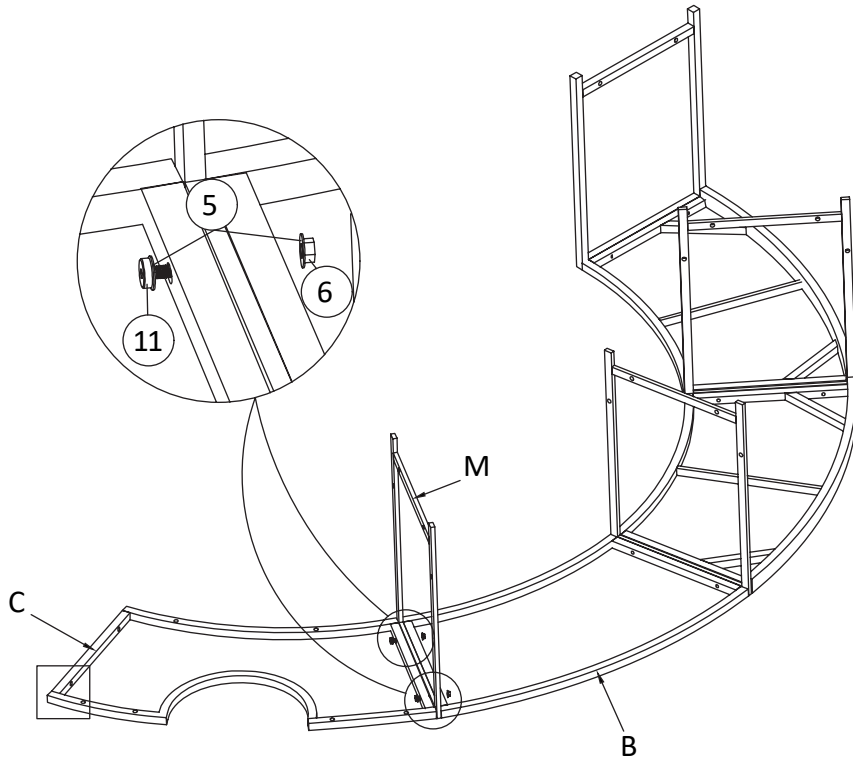
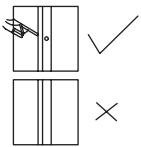
11 x2

 M6x $\frac{80}{3.1}$

5 x4

 M6x $\frac{16x1}{0.6x0.04}$


6 x2


4



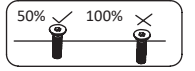
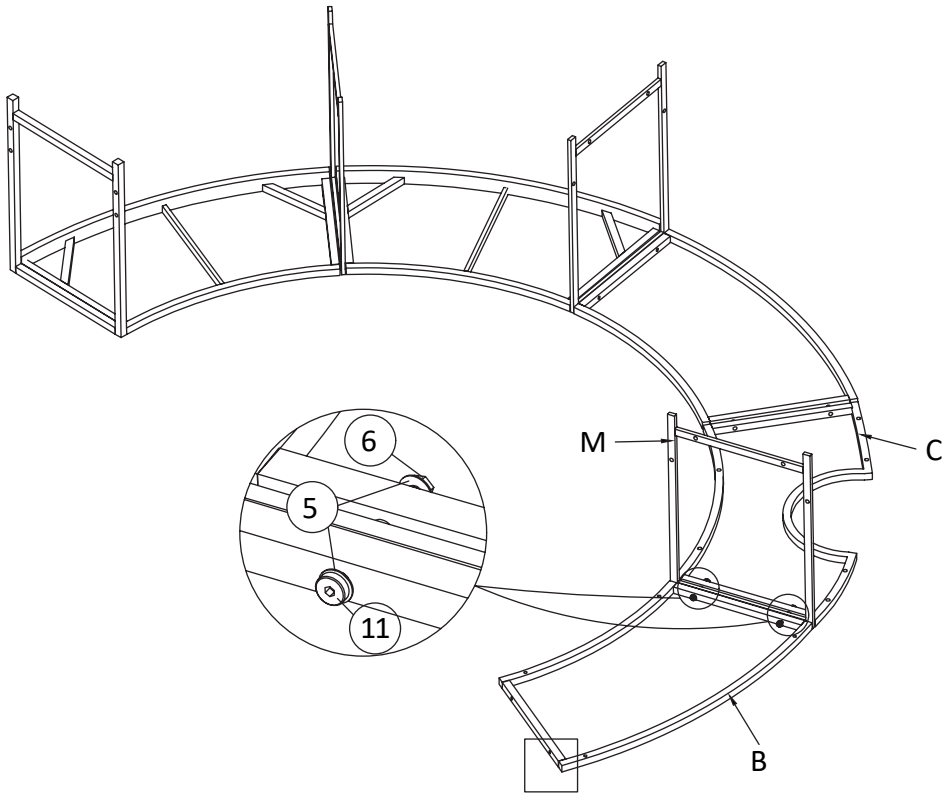
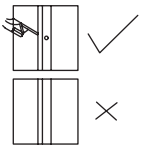
11 x2

 M6x $\frac{80}{3.1}$

5 x4

 M6x $\frac{16x1}{0.6x0.04}$

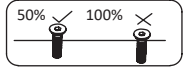
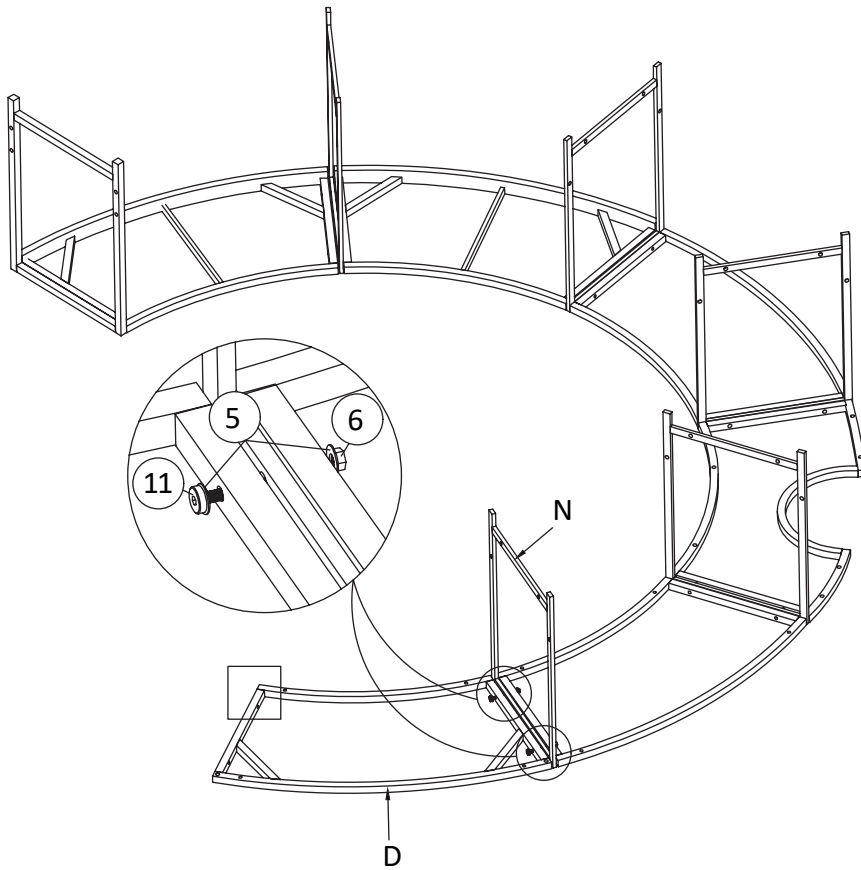
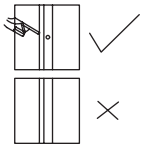
6 x2


5



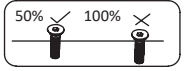
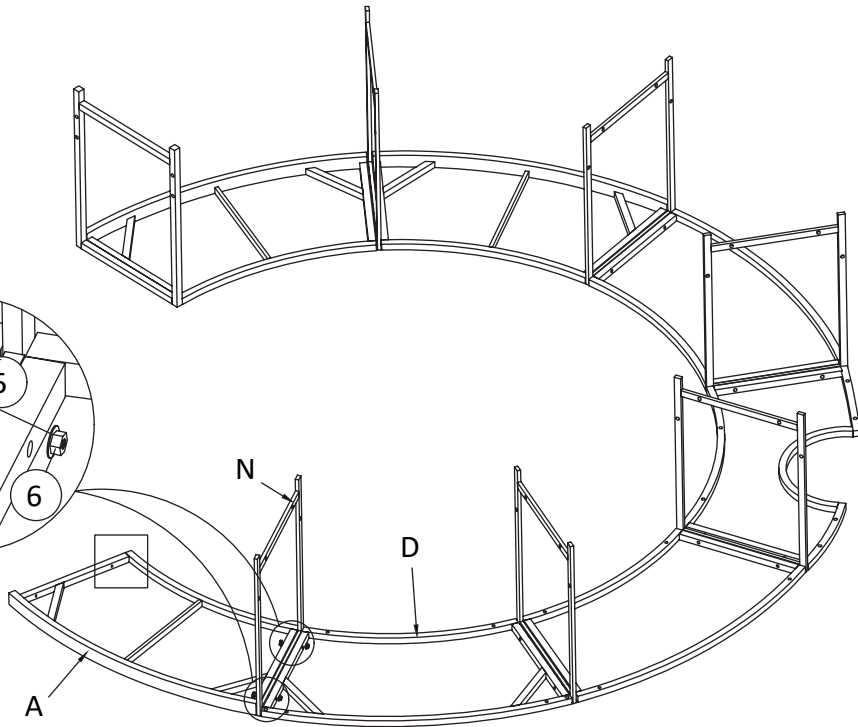
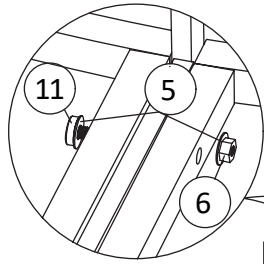
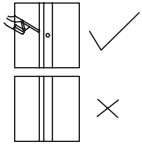
11 x 2		M6x $\frac{80}{3.1}$
5 x 4		M6x $\frac{16x1}{0.6x0.04}$
6 x 2		

6




11 x 2		M6x $\frac{80}{3.1}$
5 x 4		M6x $\frac{16x1}{0.6x0.04}$
6 x 2		

7



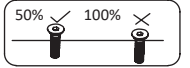
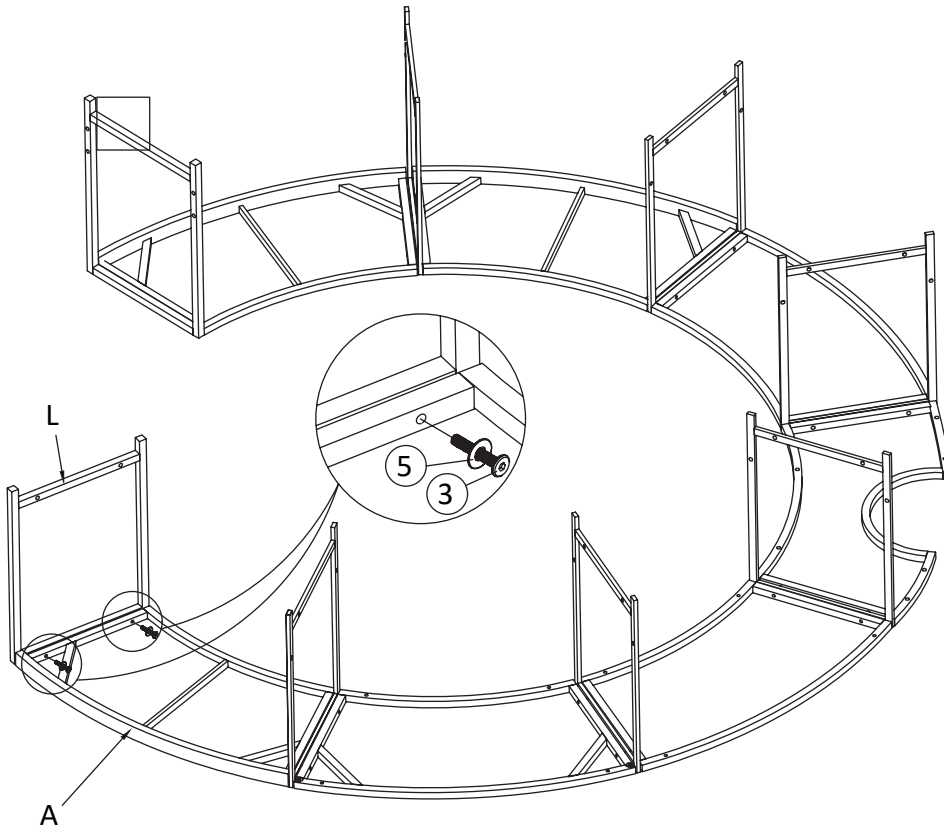
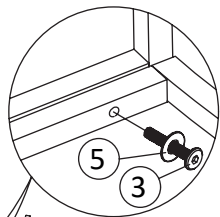
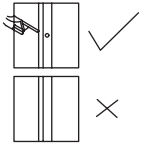
11 x2

 M6x $\frac{80}{3.1}$

5 x4

 M6x $\frac{16x1}{0.6x0.04}$


6 x2


8

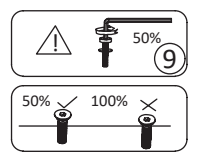
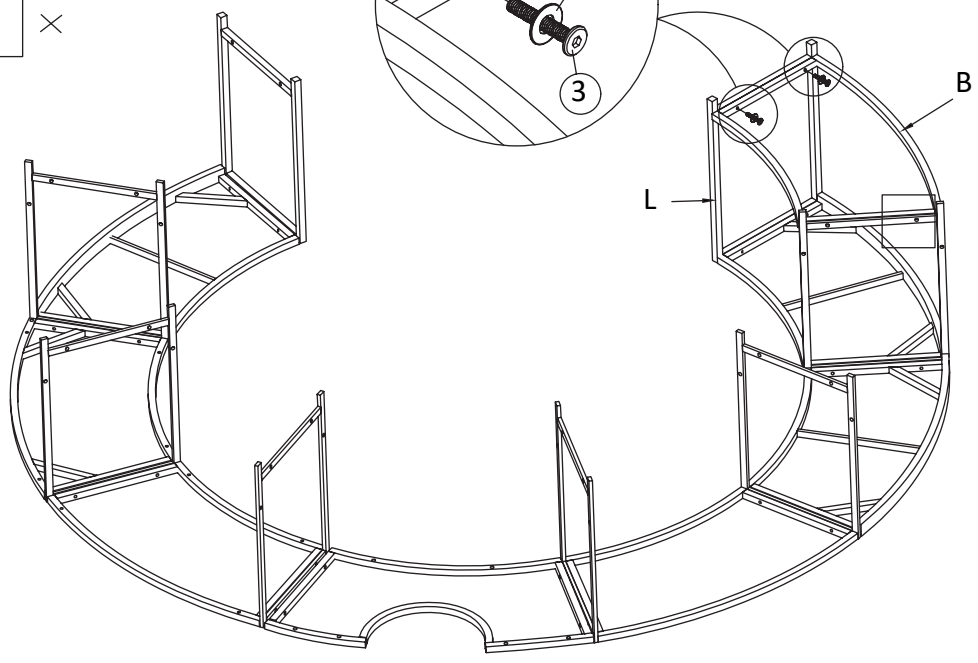
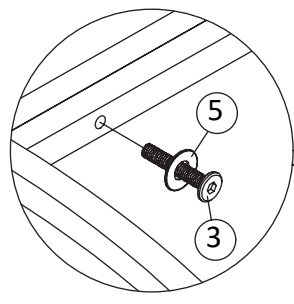
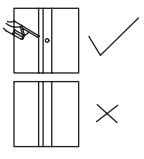




3 x2

 M6x $\frac{35}{1.4}$

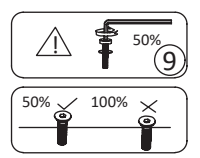
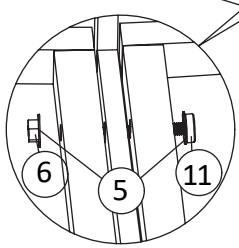
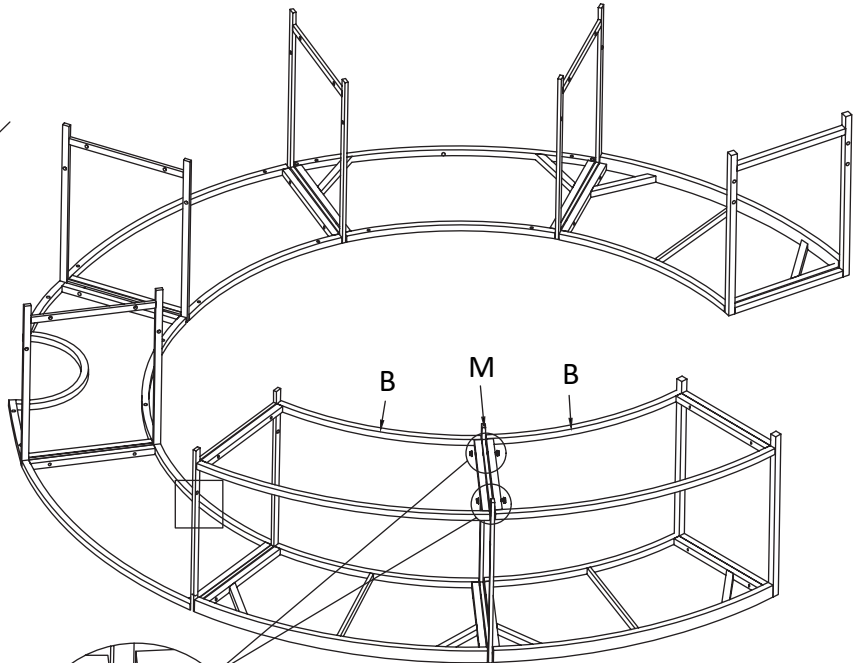
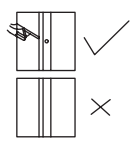
5 x2

 M6x $\frac{16x1}{0.6x0.04}$




9



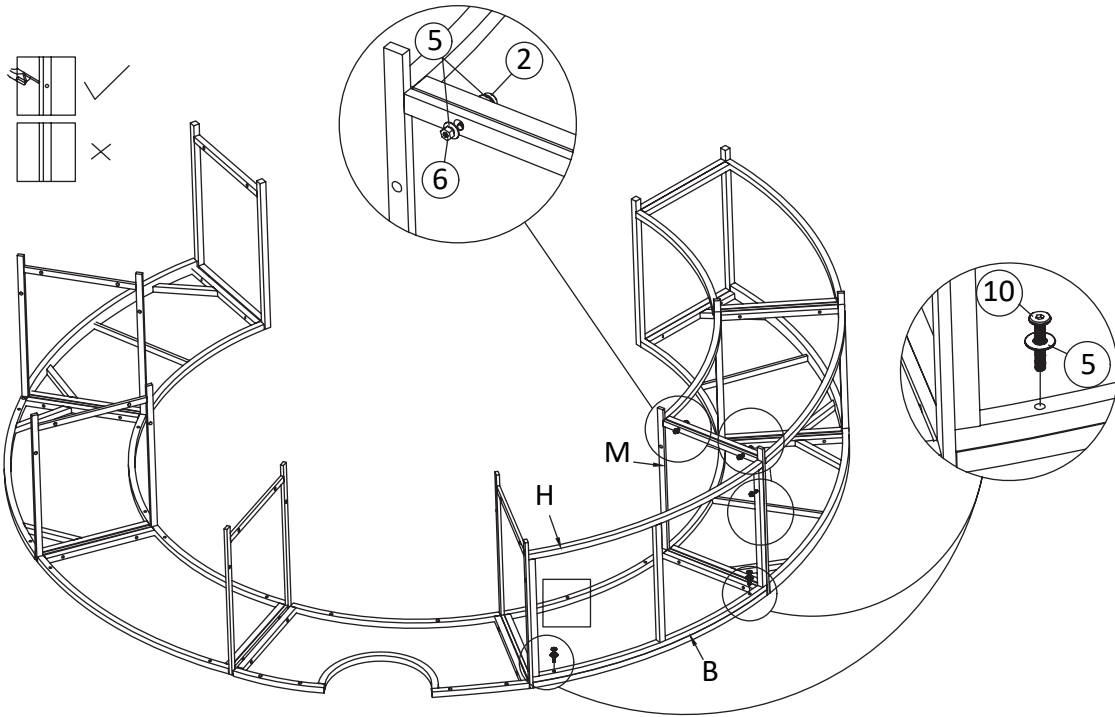
- 3 x2

 M6x $\frac{35}{1.4}$
- 5 x2

 M6x $\frac{16x1}{0.6x0.04}$

10



- 11 x2

 M6x $\frac{80}{3.1}$
- 5 x4

 M6x $\frac{16x1}{0.6x0.04}$
- 6 x2


11



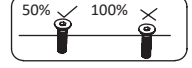
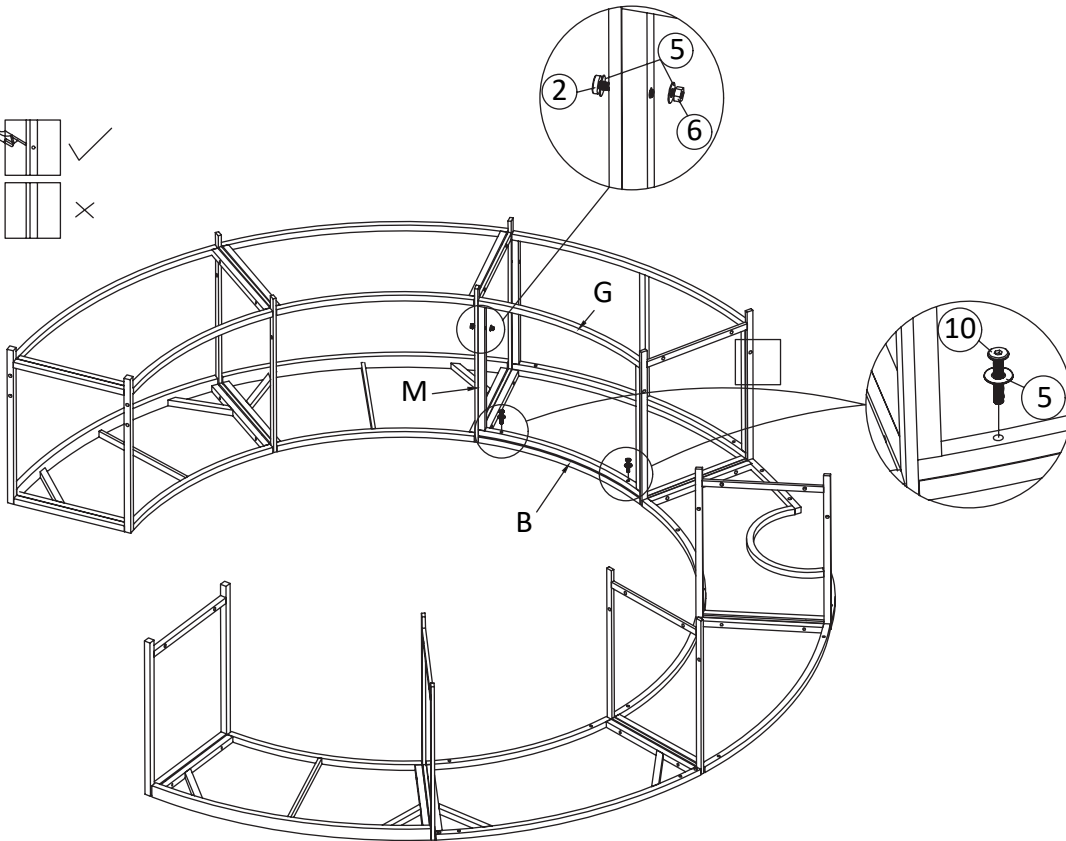
- 2 x3

 $M6 \times \frac{45}{1.8}$
- 10 x2

 $M6 \times \frac{30}{1.2}$
- 5 x8

 $M6 \times \frac{16 \times 1}{0.6 \times 0.04}$
- 6 x3

12



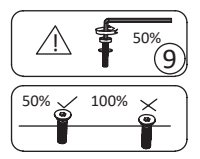
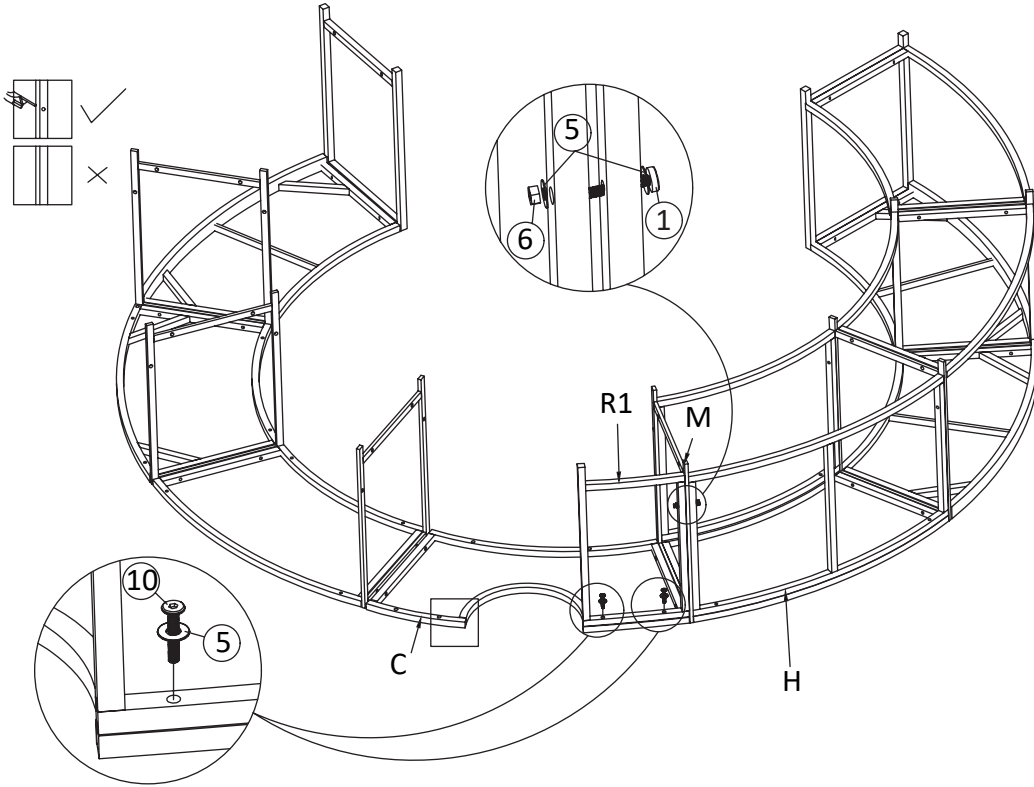
- 2 x1

 $M6 \times \frac{45}{1.8}$
- 10 x2

 $M6 \times \frac{30}{1.2}$
- 5 x4

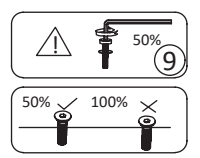
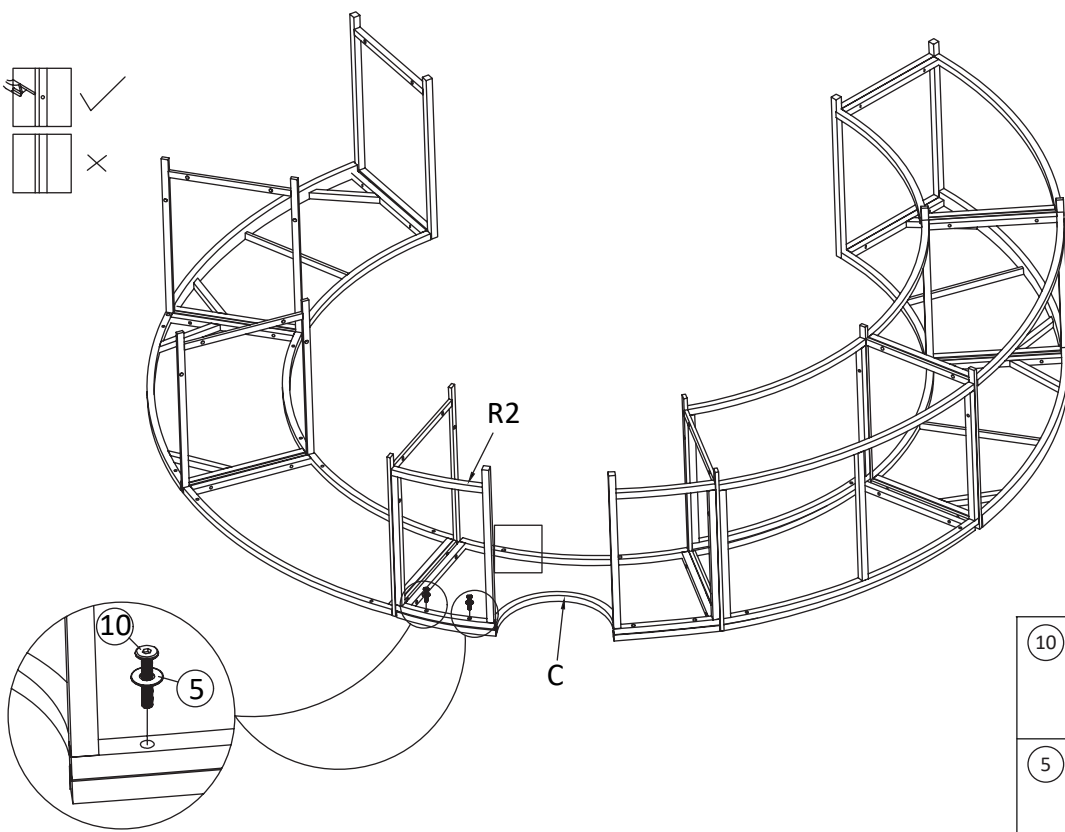
 $M6 \times \frac{16 \times 1}{0.6 \times 0.04}$
- 6 x1

13



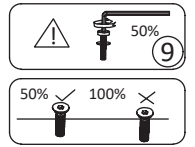
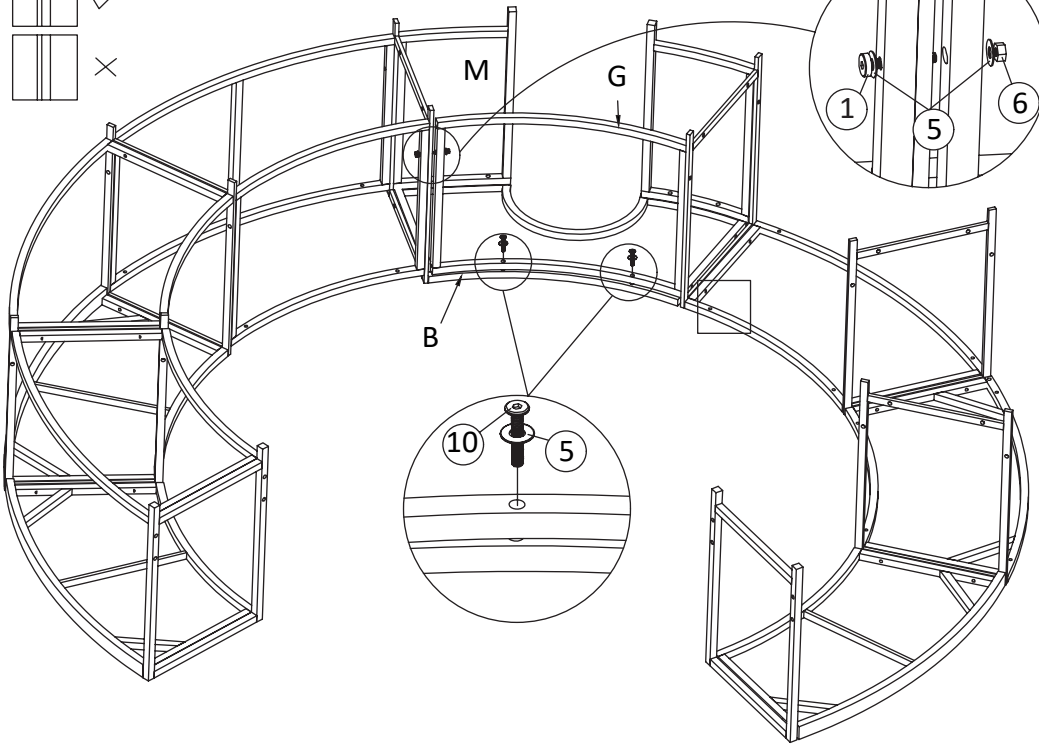
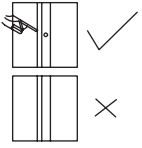
- ① x1
M6x $\frac{65}{2.6}$
- ⑩ x2
M6x $\frac{30}{1.2}$
- ⑤ x4
M6x $\frac{16x1}{0.6x0.04}$
- ⑥ x1

14



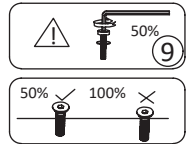
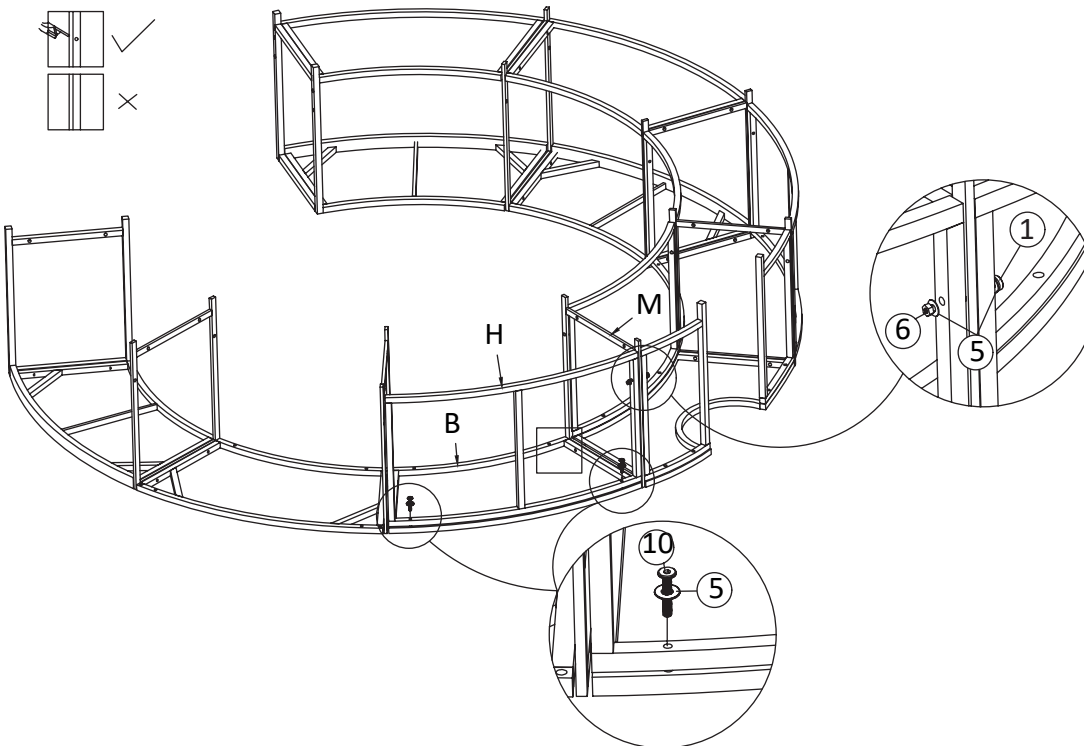
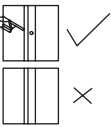
- ⑩ x2
M6x $\frac{30}{1.2}$
- ⑤ x2
M6x $\frac{16x1}{0.6x0.04}$

15



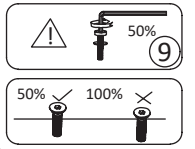
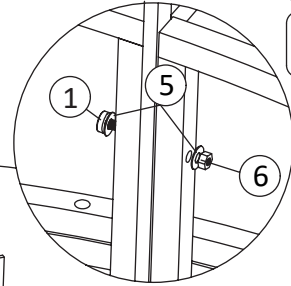
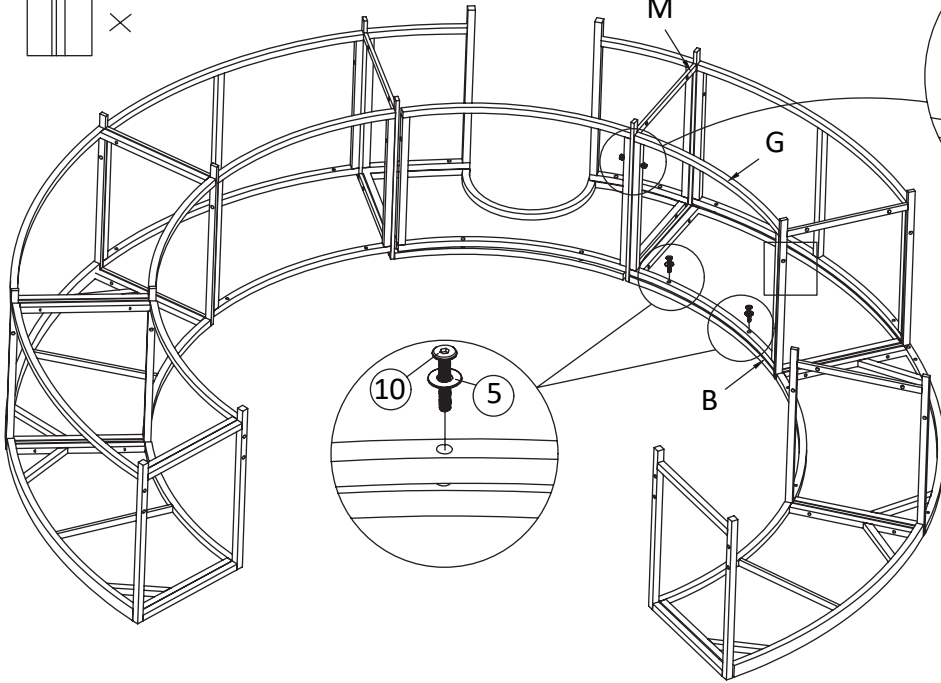
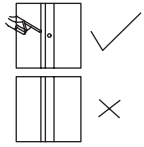
1 x1		M6x $\frac{65}{2.6}$
10 x2		M6x $\frac{30}{1.2}$
5 x4		M6x $\frac{16x1}{0.6x0.04}$
6 x1		





16



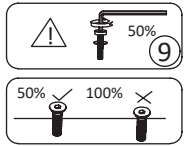
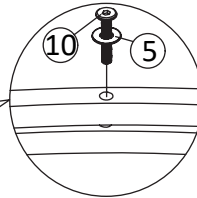
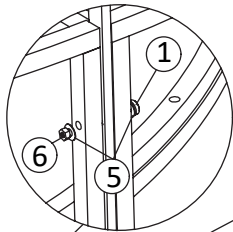
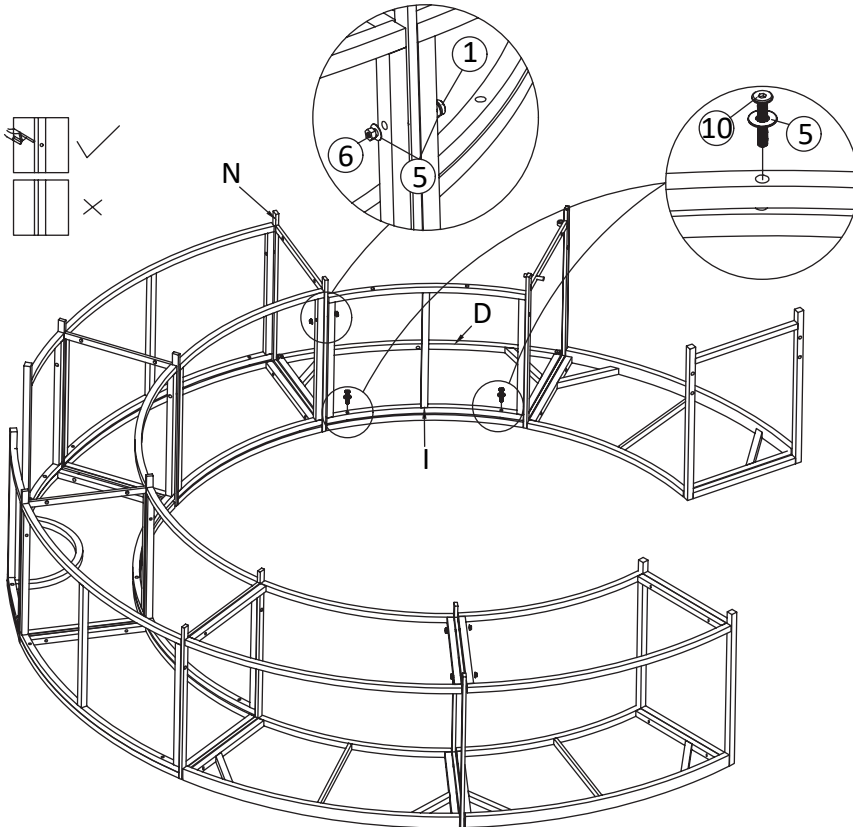
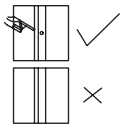
1 x1		M6x $\frac{65}{2.6}$
10 x2		M6x $\frac{30}{1.2}$
5 x4		M6x $\frac{16x1}{0.6x0.04}$
6 x1		





17



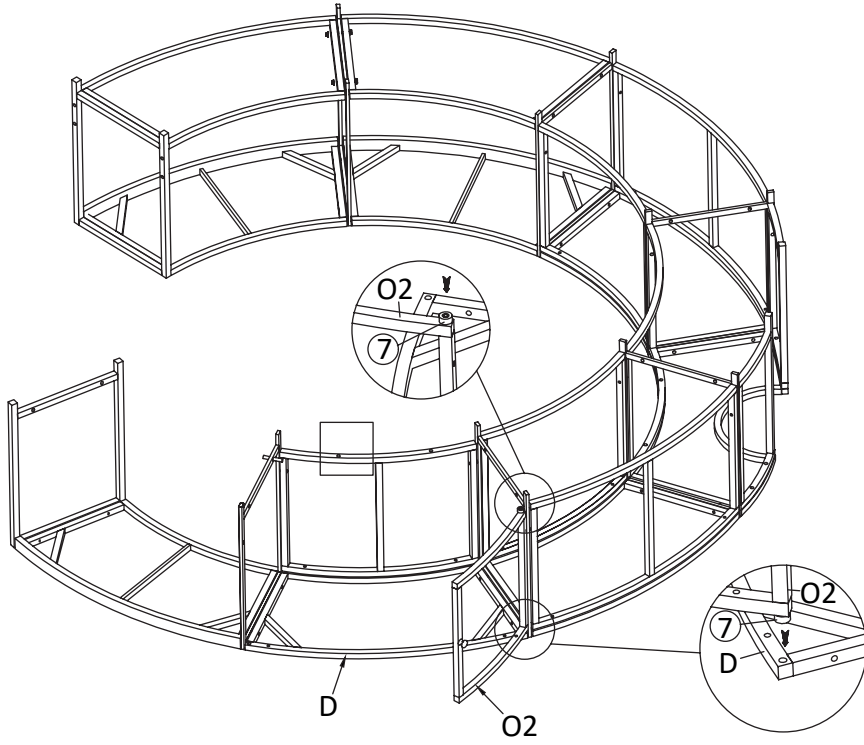
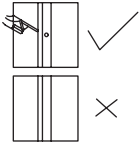
1 x1		M6x $\frac{65}{2.6}$
10 x2		M6x $\frac{30}{1.2}$
5 x4		M6x $\frac{16x1}{0.6x0.04}$
6 x1		

18



1 x1		M6x $\frac{65}{2.6}$
10 x2		M6x $\frac{30}{1.2}$
5 x4		M6x $\frac{16x1}{0.6x0.04}$
6 x1		

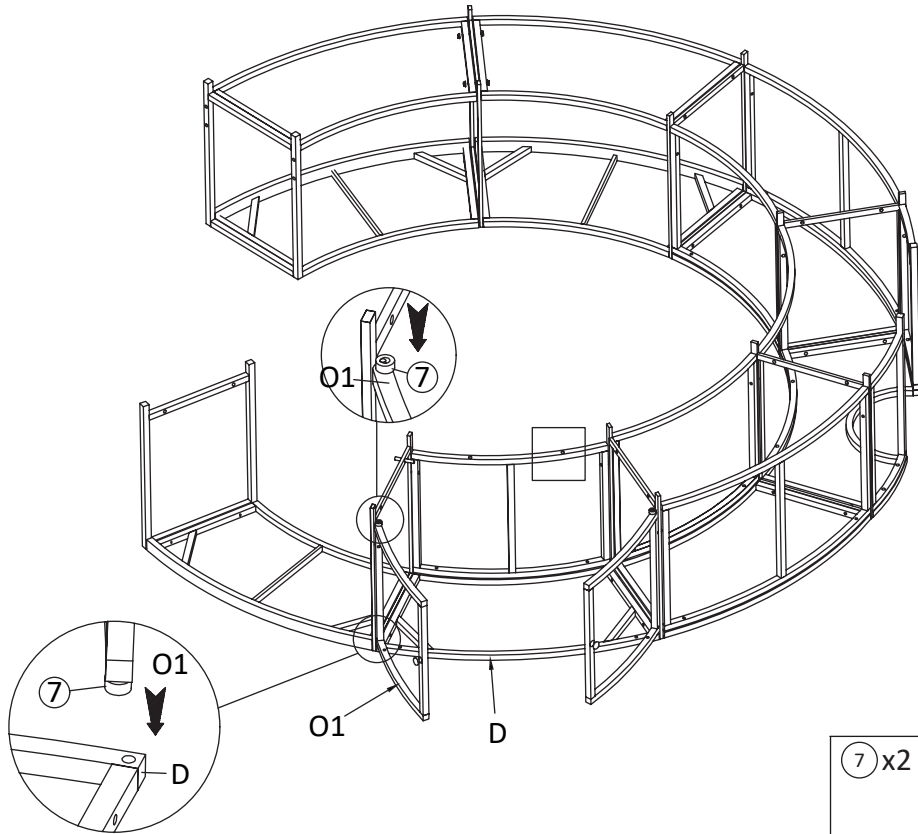
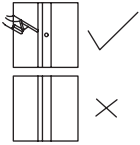
19



7 x2



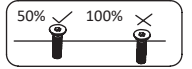
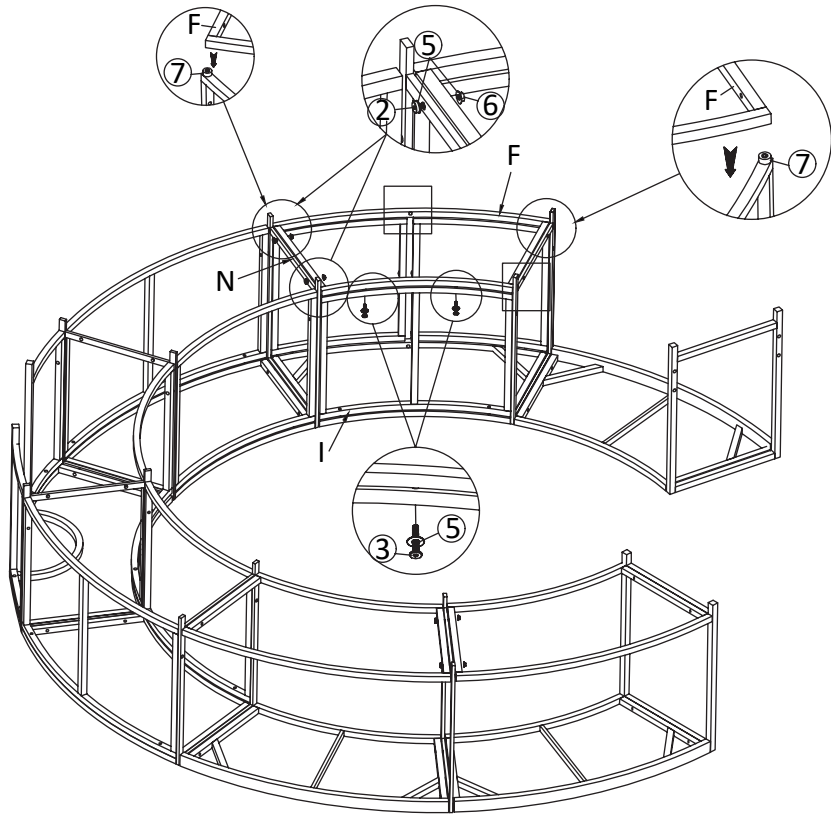
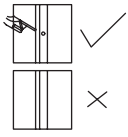
20







7 x2

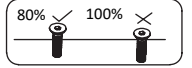
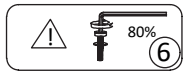
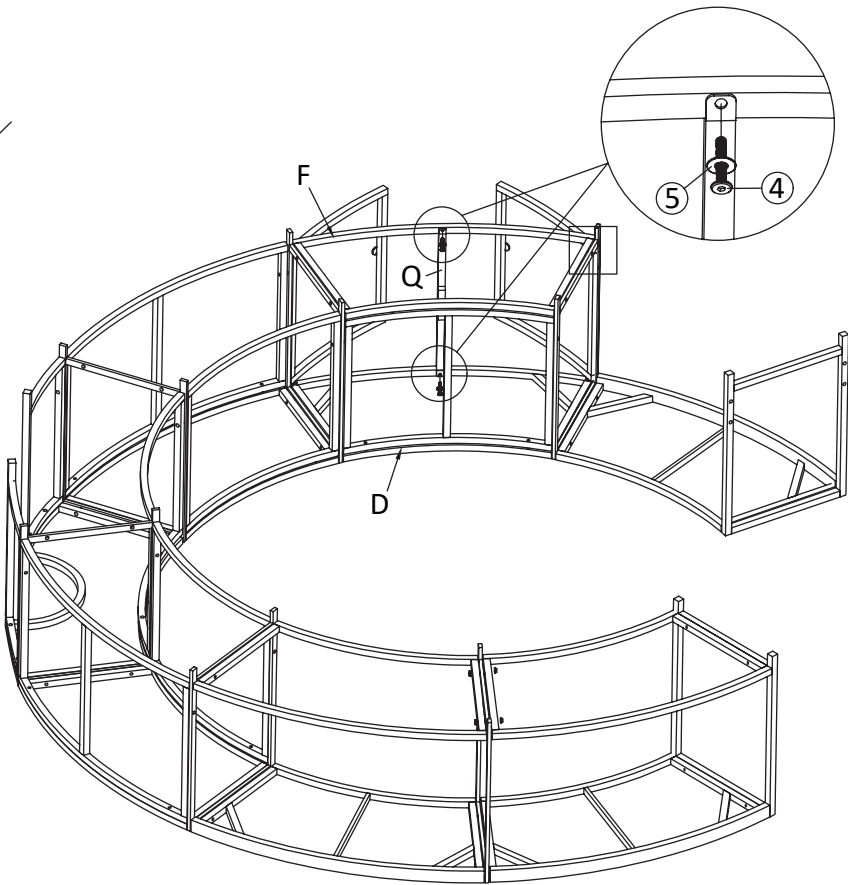
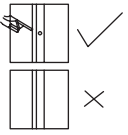




21



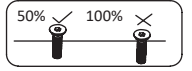
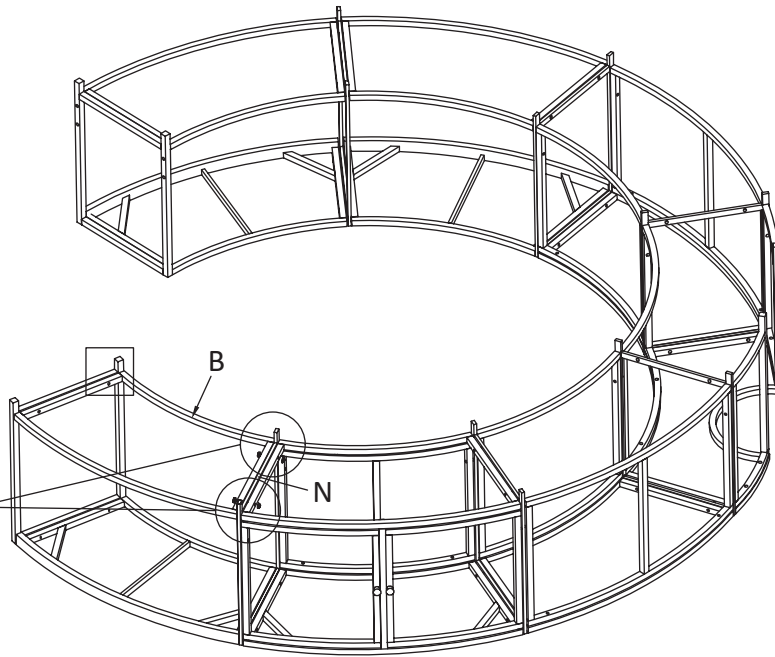
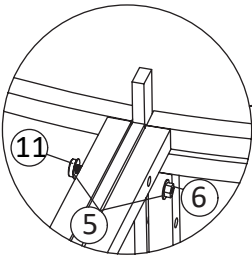
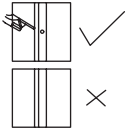
- 2 x2  M6x $\frac{45}{1.8}$
- 3 x2  M6x $\frac{35}{1.4}$
- 5 x6  M6x $\frac{16x1}{0.6x0.04}$
- 6 x2 

22



- 4 x2  M6x $\frac{15}{0.6}$
- 5 x2  M6x $\frac{16x1}{0.6x0.04}$

23

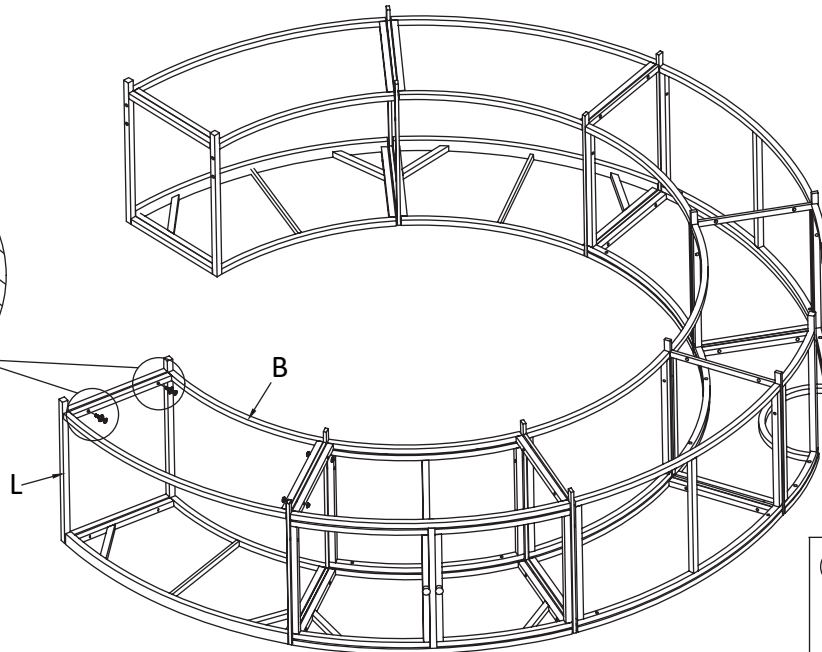
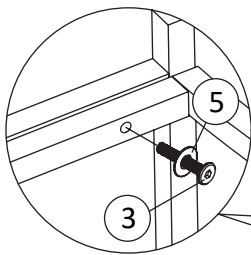


11 x2
 M6x $\frac{80}{3.1}$


5 x4
 M6x $\frac{16x1}{0.6x0.04}$

6 x2

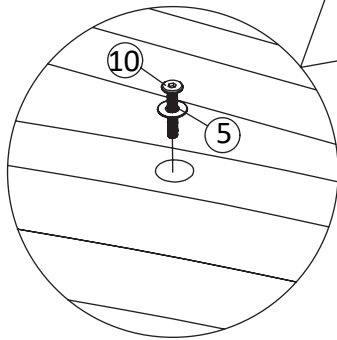
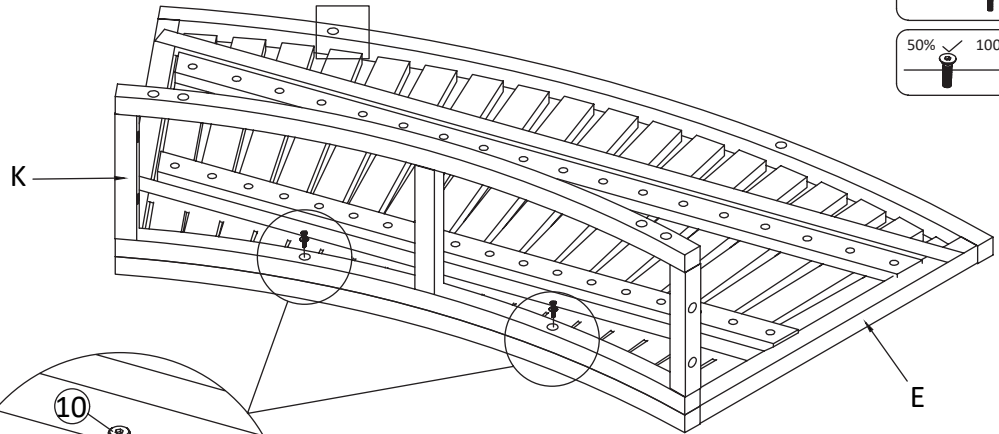
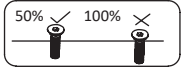
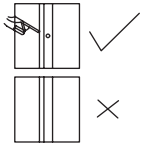

24




3 x2
 M6x $\frac{35}{1.4}$

5 x2
 M6x $\frac{16x1}{0.6x0.04}$

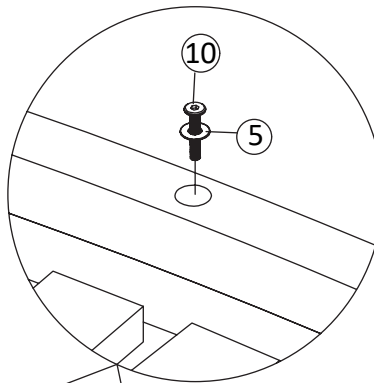
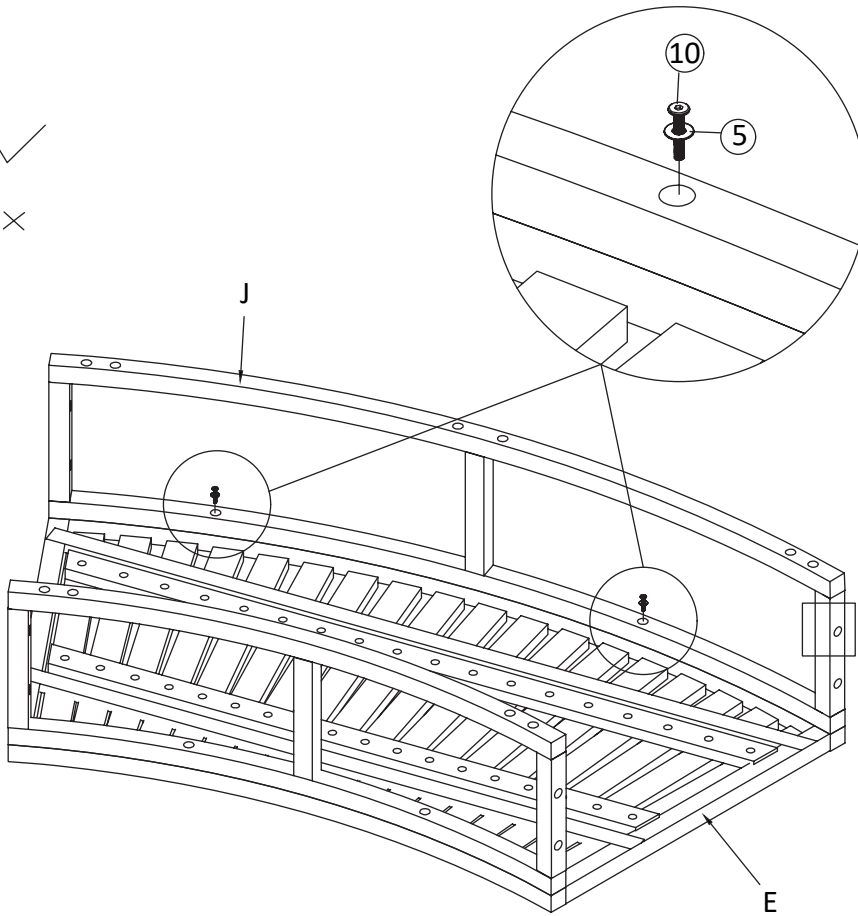
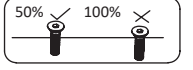
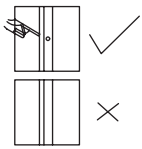
25x2




⑩ x4  M6x $\frac{30}{1.2}$

⑤ x4  M6x $\frac{16x1}{0.6x0.04}$

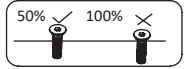
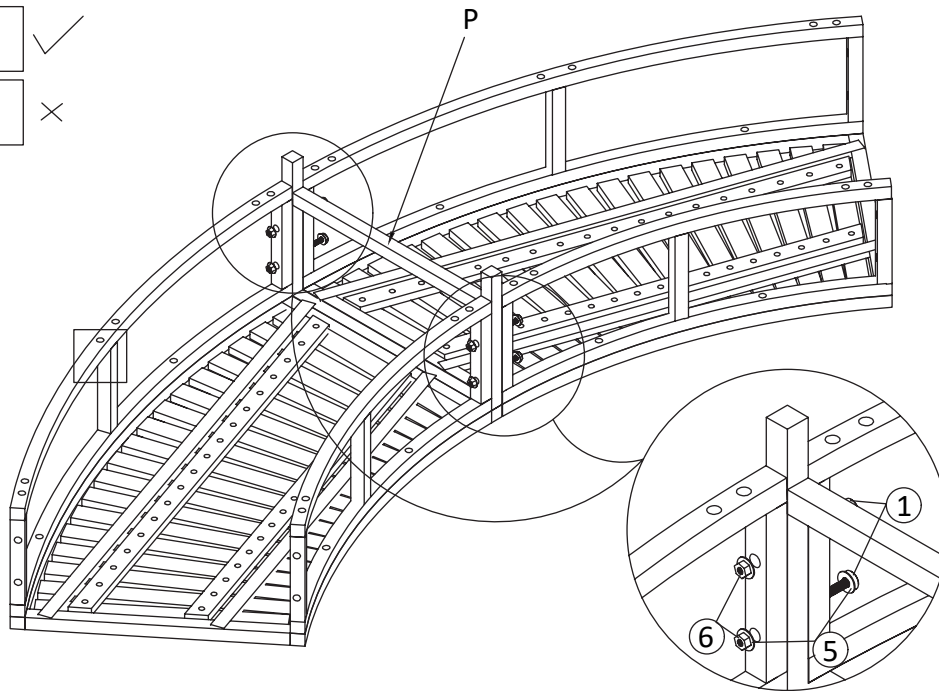
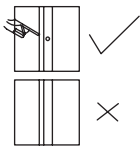
26x2



⑩ x4  M6x $\frac{30}{1.2}$

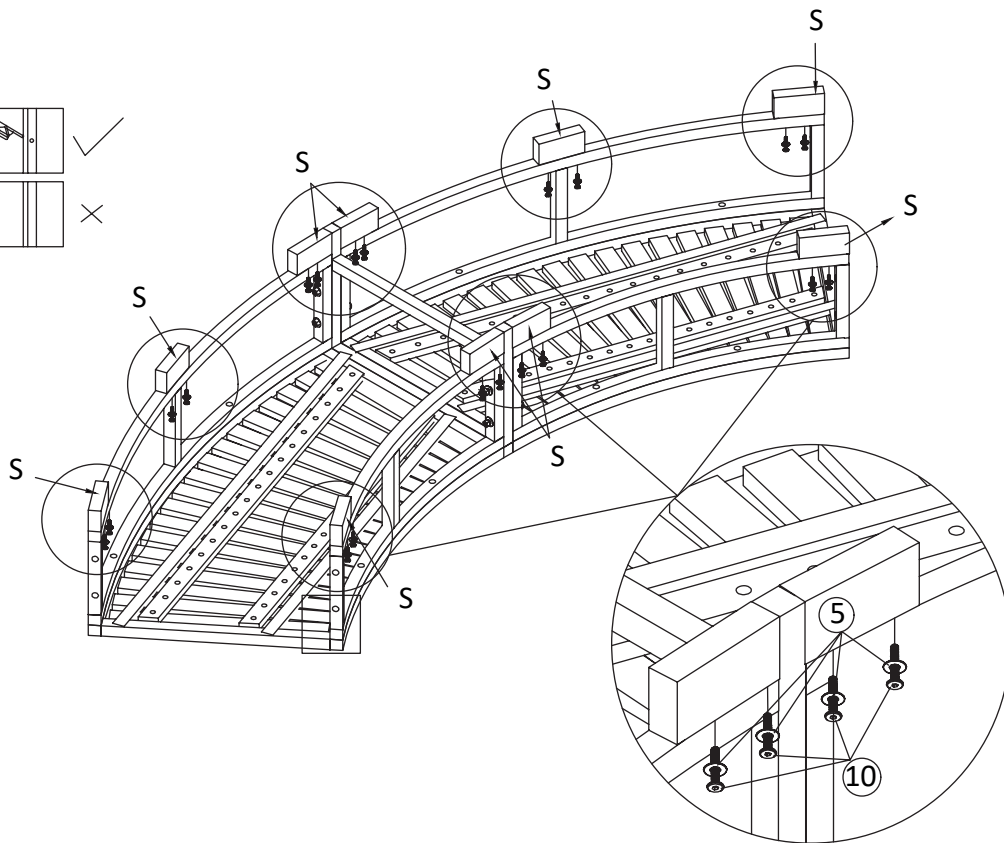
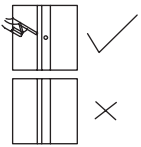
⑤ x4  M6x $\frac{16x1}{0.6x0.04}$

27

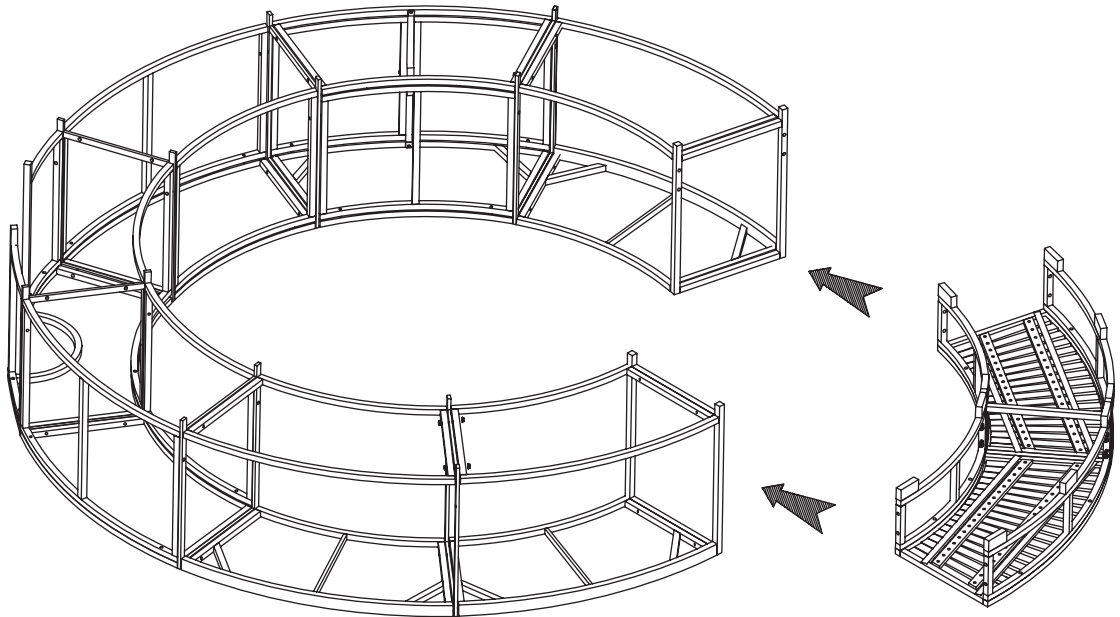
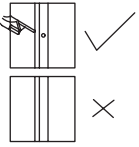
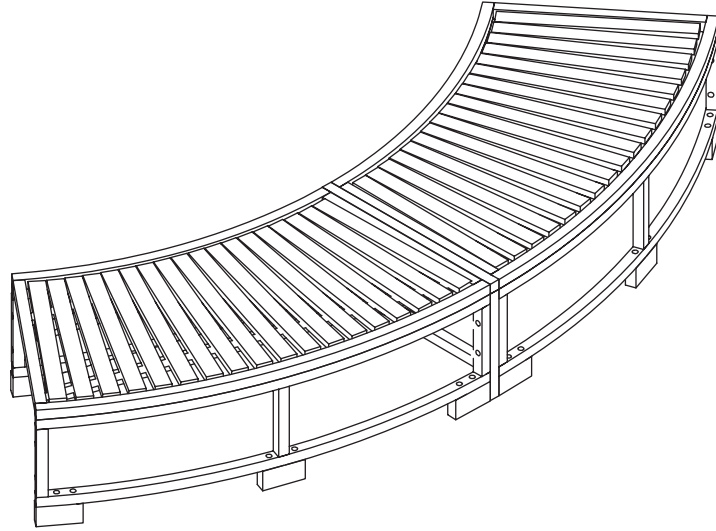


1 x4		M6x $\frac{65}{2.6}$
5 x8		M6x $\frac{16x1}{0.6x0.04}$
6 x4		

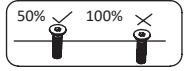
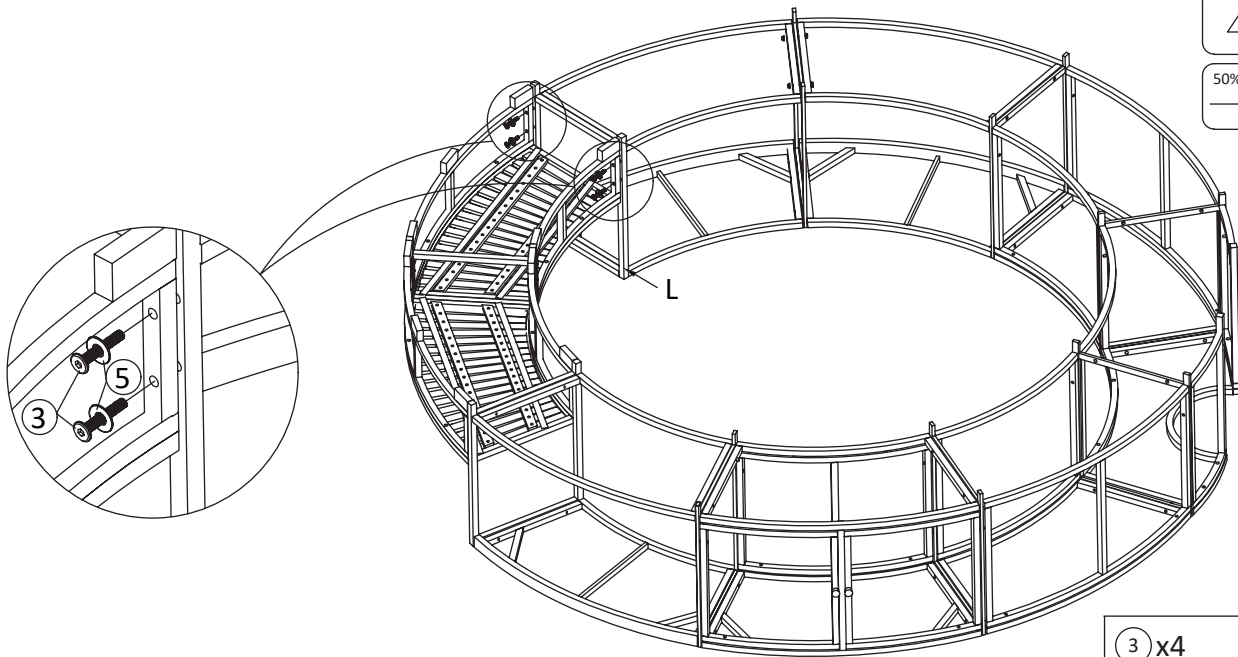
28





10 x20		M6x $\frac{30}{1.2}$
5 x20		M6x $\frac{16x1}{0.6x0.04}$

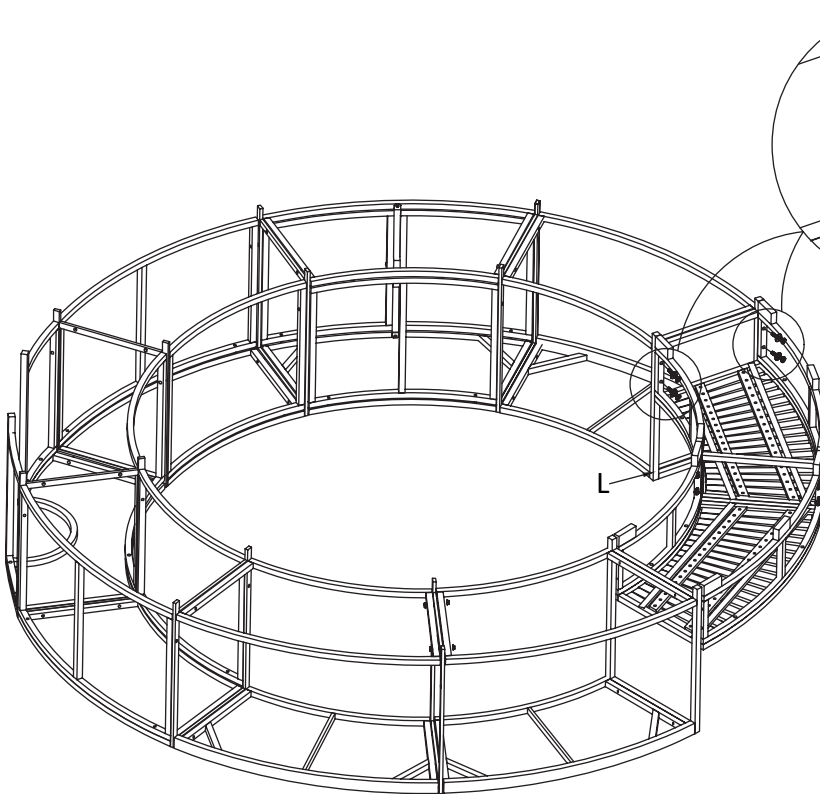




31



- 3 x4
 
 M6x $\frac{35}{1.4}$
- 5 x4
 
 M6x $\frac{16x1}{0.6x0.04}$

32



- 3 x4
 
 M6x $\frac{35}{1.4}$
- 5 x4
 
 M6x $\frac{16x1}{0.6x0.04}$

