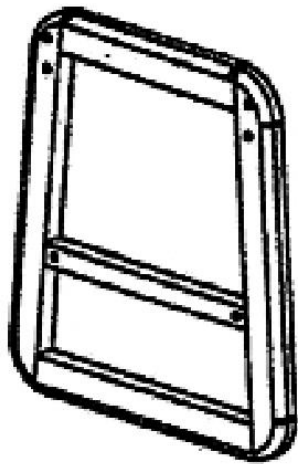


# Installation Instructions

## 1. Installation Preparation

Open the outer package, place it in a flat and soft place, and check whether the accessories of the goods are complete. ( Prepare “+” screwdriver by yourself)

### Hardware Fittings:



Side Pieces \*2



Upper Supports\*2



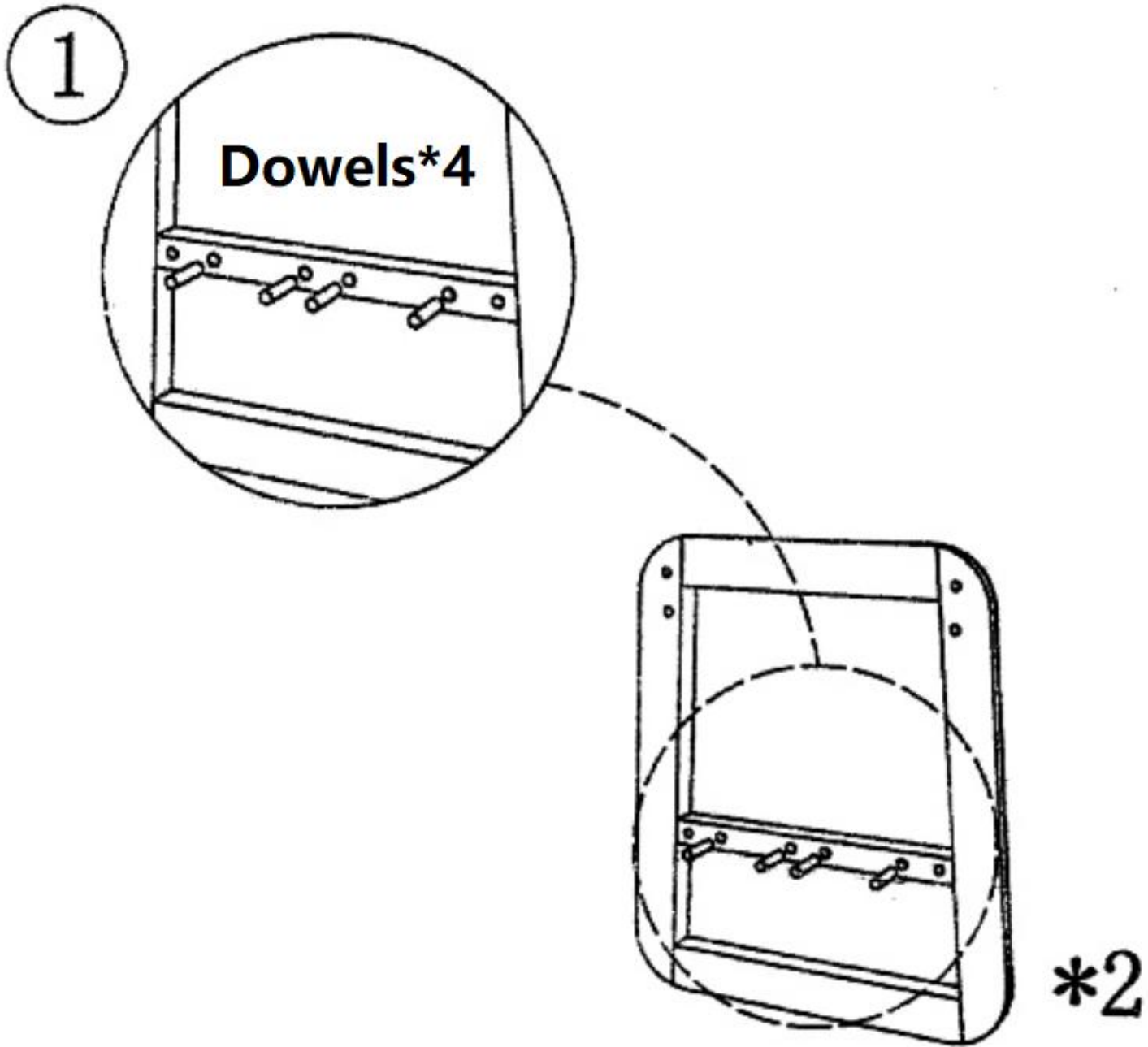
Side Supports\*2



Center Support \*1

1) Dowels can be used to help position the installation space, which is mounting them in the center position as shown in the diagram.

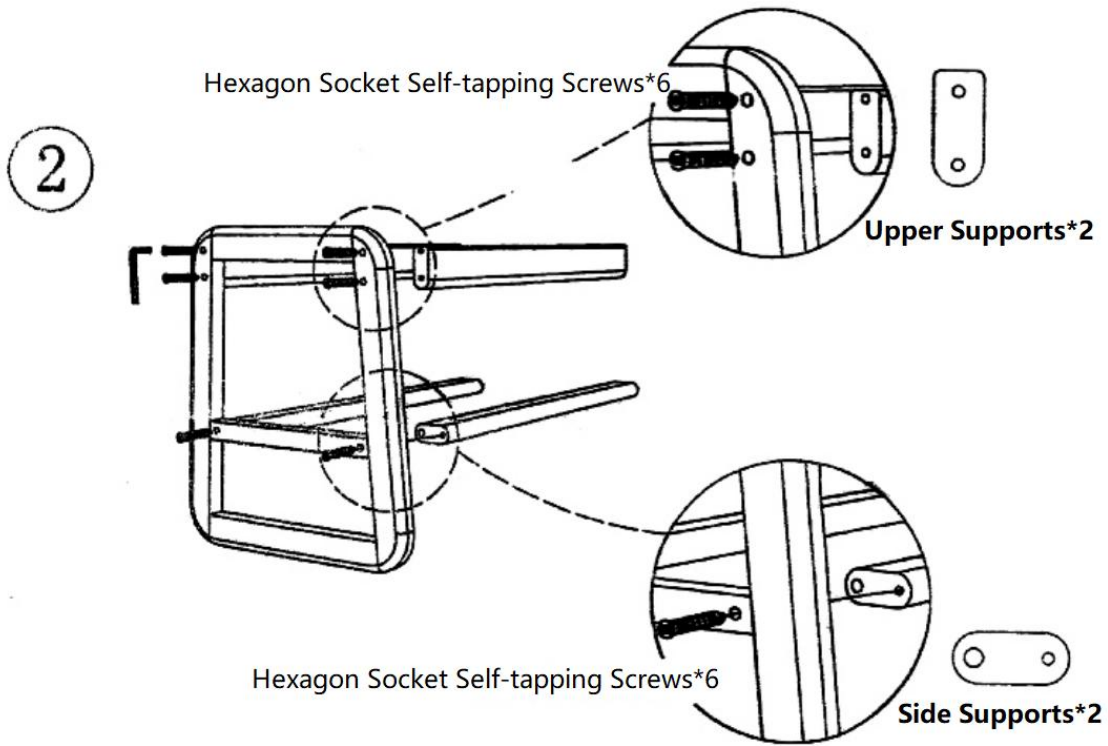
(The dowels should be aligned with the corresponding holes during installation. Please tap gently until the dowels are buried in the holes).



2) Cross Brace Installation

Side Piece\*1(The dowels have been installed.)

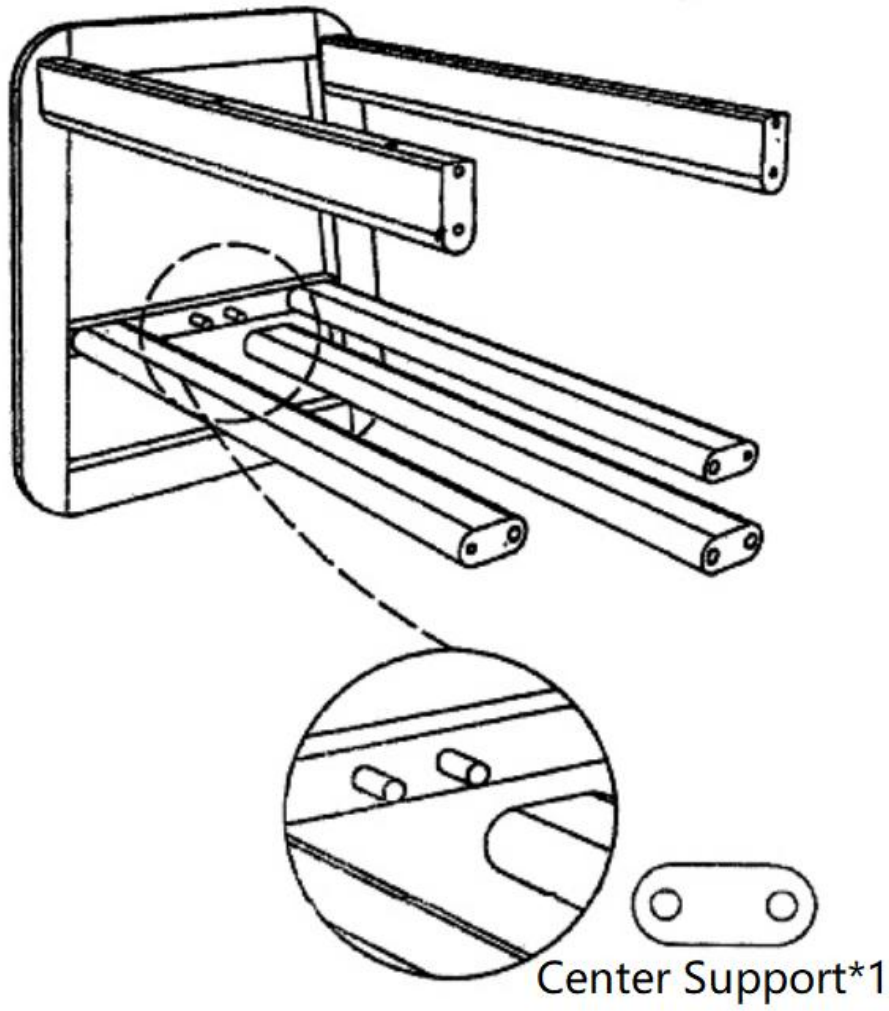
Upper supports\*2/ side supports\*2 (pay attention to the alignment of the holes), and tighten with the L wrench.



### 3) Center Support Installation

Install the center support as shown in the picture and put it in directly.

3

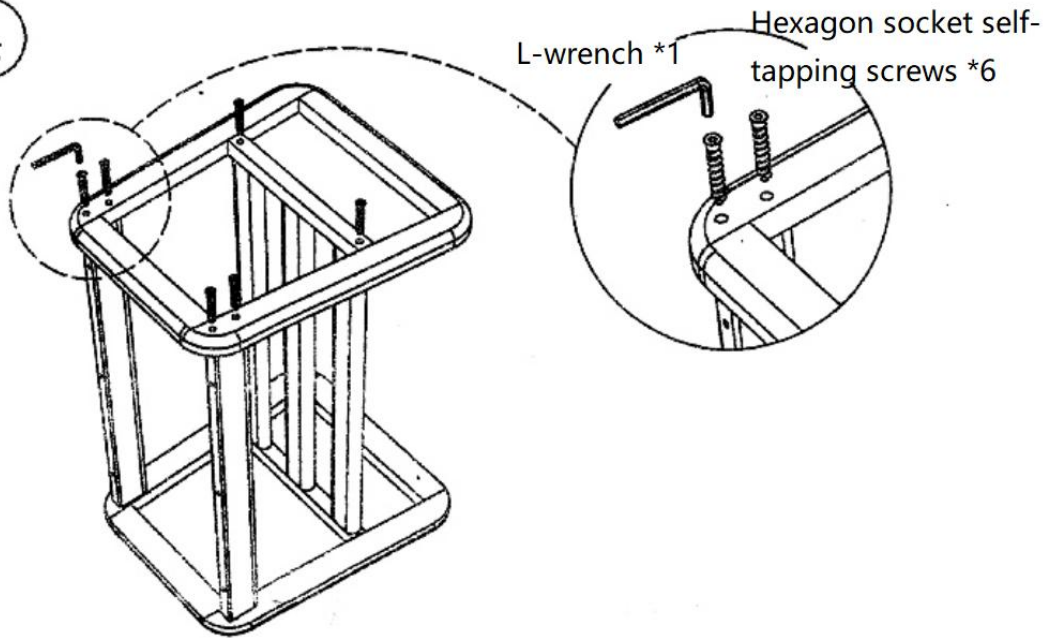


#### 4) Side Pieces Installation

Side Piece\*1 (The dowels have been installed.)

Pay attention to the alignment of the holes and tighten them with an L-wrench.

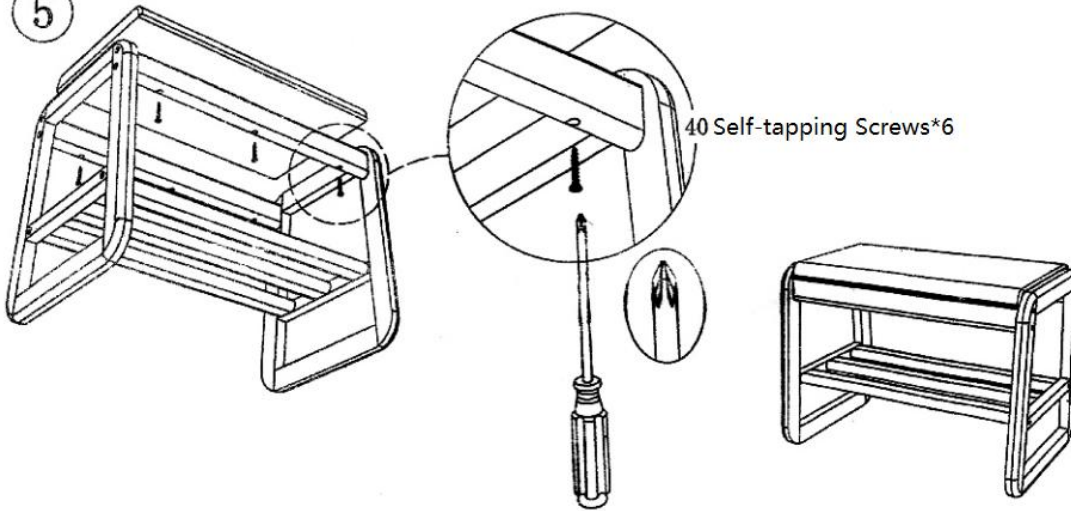
4



#### 5) Soft Bag Installation

Put in the soft bag cushion. Align and center it, put the screws into the holes and tighten them with a screwdriver (the felt cushion can be installed by yourself according to your needs)

5



## Product Instruction Manual

Welcome to buy our furniture products, before using, please read this instruction carefully and keep it for future reference.

### I. Overview

1. The various types of wooden furniture produced by this enterprise are mainly suitable for indoor bedroom, dining room, living room, study and other places, but not suitable for outdoor open-air use. The main raw and auxiliary materials, processing technology, quality, performance and harmful substances of the products meet the standard requirements.

2. This product implements Q/1721RFGYP001-2022 and GB/18584-2001 standards.

## II. Product Description

Product Series: Stool

Executive Standard: Q/1721RFGYP001-2022 GB/18584-2001

Quality Grade: Qualified Products

Dimension: See details in outer dimension drawing

## III. Material Description

The main material of the product is: rubber wood

Place of origin: Thailand

## IV. Comparison of Harmful Substance Limit Standards

Inspection	Technical Requirements	European EO Standard	Test Results	Individual Judgment
Formaldehyde Emission	≤ 1.5mg/l	≤0.5mg/l	0.1	Qualified

## V. Carrying, Loading and Unloading, Transportation, Storage and Unpacking Inspection:

1. Lay it flat and gently during handling.
2. Barbaric loading and unloading are prohibited, the product should be placed flat. Do not step on it with your feet.
3. It needs to be protected from rain, moisture, bumps and leaps during transportation. Packages with lenses, glass, cartons are clearly marked and should be placed on top during shipment.
4. When storing, pallets should be added to keep them off the ground to prevent moisture. The warehouse should be ventilated and dry.
5. When unpacking, use a razor blade to cut the tape around the perimeter, do not hurt the surface of the furniture.
6. Before opening the carton, check whether there is any damage to the carton package. After opening the box, check whether the parts in the package are scattered and whether the lens and glass are broken.

## VI. Furniture Installation

After purchasing furniture, users should carefully read the installation instructions before unpacking the product.

## VII. Troubleshooting and Analysis

Failure Phenomenon	Cause Analysis	Troubleshooting Method	Remark
Partial whitening of panel paint	It may have been in contact with hot objects	Cover it with a hot and damp towel until the whitish color fades.	
Shelf Shaking	Screws Loosened	Tighten the screws	

## **VIII. Furniture Usage and Precautions:**

1. Please keep the furniture in the air and do not use it for 15~20 days before use. Please maintain proper air circulation to eliminate the residual odor in the paint on the surface of the furniture board.
2. Do not put too hot utensils on the surface of the spray paint products. If you want to place a cup of boiling water, it is best to add a coaster at the bottom of the cup, so as not to burn the countertop due to the high temperature and cause partial deformation.
3. Furniture should avoid prolonged exposure to sunlight, so as not to cause partial discoloration or fading.
4. Furniture doors and drawers should be opened with appropriate force. It is strictly prohibited to open and close violently, resulting in loosening of the structure.

## **IX. Furniture Maintenance:**

1. For daily maintenance, the surface should be wiped clean with a soft and clean cloth. Never use a wet cloth or hard objects to wipe the surface. Do not contact it with acid or alkaline chemicals.
2. You should properly maintain the indoor temperature and humidity, such as breeding flowers and plants, so as not to cause shrinkage, cracking, and deformation.

## **X. Unavoidable Problems with Solid Wood Furniture**

The company's product is made of solid wood, so there are some problems that can not be solved by the current world furniture production technology, such as color difference, wood grain size differences, brown eyes, polishing patterns left uneven, and other phenomena. We hope that the majority of users need to be aware of this.