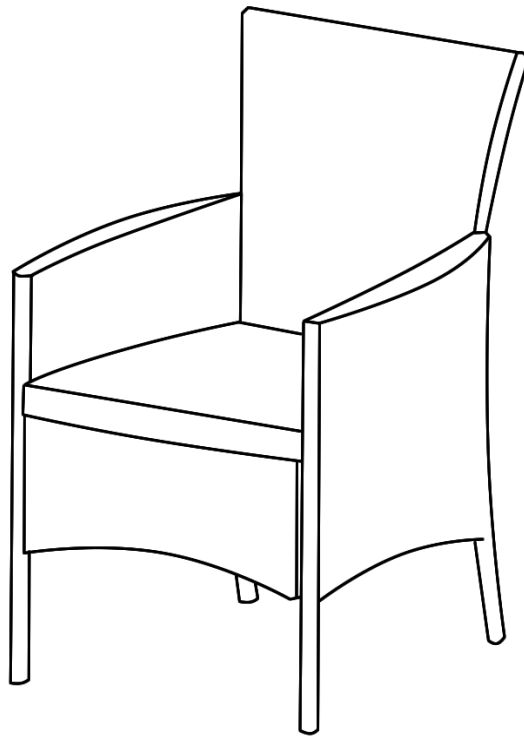


Assembly Instructions

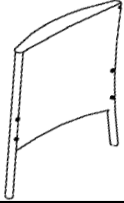
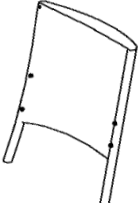
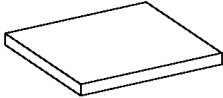
Caution : You must read this before you proceed

Chair

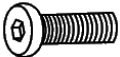




Parts List

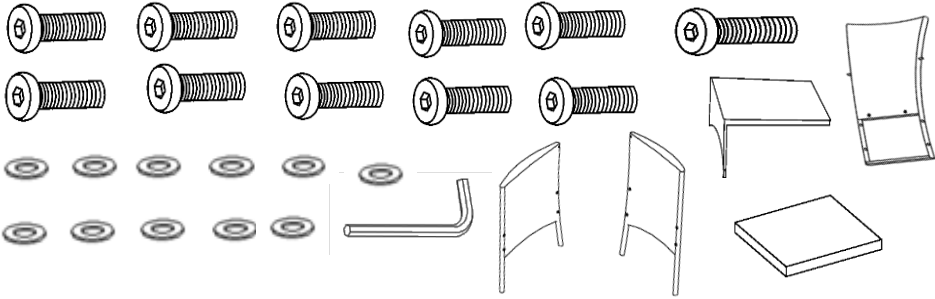
Label	Picture	Description	QTY
A	A line drawing of the backrest part of the chair, showing its curved shape and the attachment points for the seat and legs.	Backrest	1
B	A line drawing of the seat part of the chair, showing its rectangular shape and the attachment points for the backrest and legs.	Seat	1

C		Right Armrest / Leg	1
D		Left Armrest / Leg	1
E		Seat Cushion	1

Hardware

Label	Picture	Description	QTY
F		Bolt(M6*35MM)	11
G		Washer	11
H		Allen Key	1

Assembly Preparation

<p>Before Beginning Assembly:</p>	
-----------------------------------	--



- Read instructions, cover to cover-



- Have 2 adults on hand for assembly-



- Do not assemble on flooring or carpet-



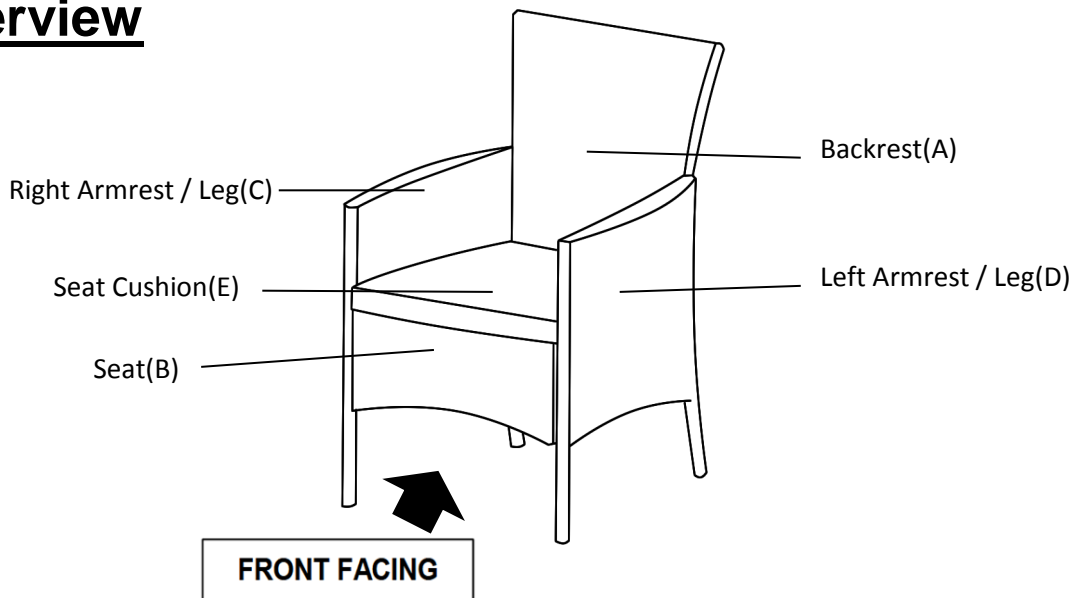
- Assemble on a clean non-marring surface (packing foam)-



- Save all packaging until finished-

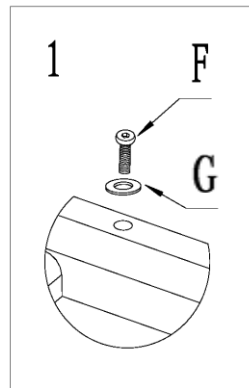
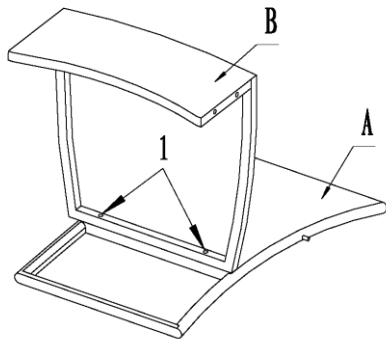
Assembly Steps

Overview



This Chair has multiple parts and may require up to some 30 minutes to assemble. To give you an overview of the Chair parts, the above picture is to help you put the various parts into perspective. Please read through the instructions herebelow to familiarise yourself with the parts and steps before assembly.

Step 1

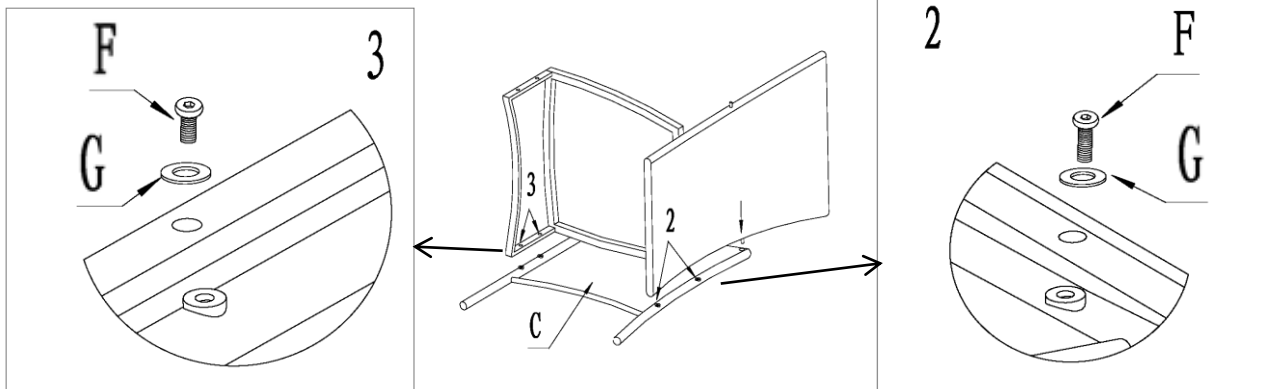


Open the carton and place all the parts onto a clean and soft surface.
Unpack all packages of hardware.
Place the Backrest (A) with its inside facing skywards.
Attach Seat(B) to Backrest(A) using Hardware(H, G) with Allen Key(H).
Do not fully tighten the bolts.

ATTENTION: Occasionally some of the PE Wicker shifts and covers the mounting positions preventing easy assembly.

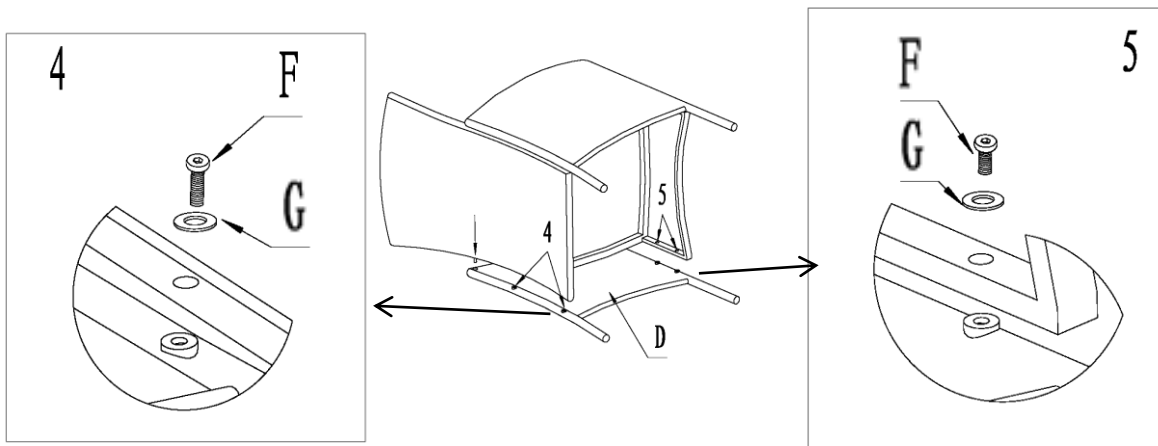
The PE wicker should never be cut, but moved away from the mounting positions.

Step 2



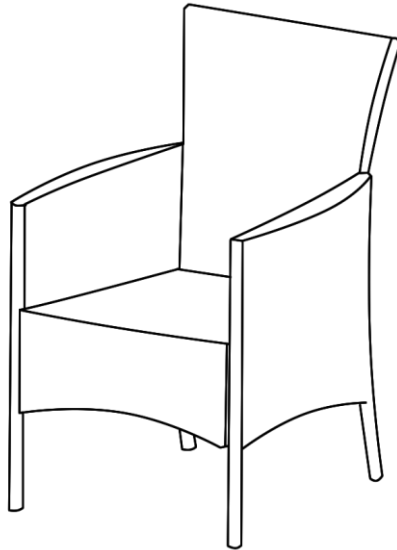
Place the Right Armrest/Leg(C), as picture above so as to be attached to the Backrest (A) and Seat(B) using Hardware(F, G) with Allen Key(H).
Do not fully tighten the bolts.

Step 3



Place the Left Armrest/Leg (D) as pictured above and affix to Backrest (A) and Seat(B) using Hardware(F, G) with Allen Key(H) as shown in Picture 4 and Picture 5.
Do not fully tighten the bolts.

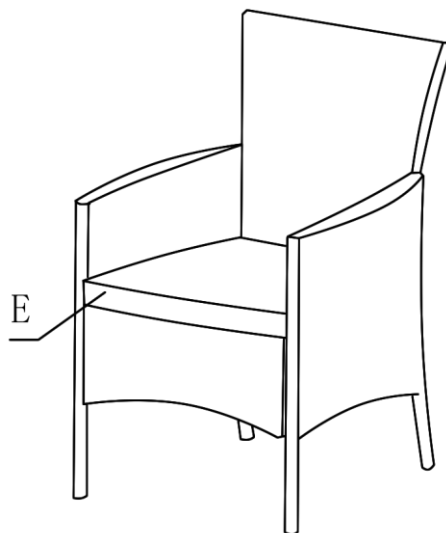
Step 4



Stand CHAIR rightside up.
Check stability and then tighten the bolts.

Note: DO NOT fully tighten a BOLT in one go and then move on to the next. Rather, In a sequential manner, gradually tighten each Bolt until all bolts are evenly secured. This methodology will ensure maximum evenness once all Bolts are fully tightened.



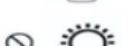







Step 5



Put the Seat Cushion(E) on the Seat.
Your Chair is ready for use.

The Chair can only be used on a flat and level surface.

Care & Maintenance

-  ● Do not put hot items directly on furniture surface
 -  ● Do not clean furniture with harsh cleansers or polish.
 -  ● To obtain the longest lifespan of your outdoor products, minimizing exposure to direct sunlight is recommended.
 -  ● Children should not climb or jump on the furniture.
 -  ● Do not write on furniture without a padded barrier to protect the surface.
 -  ● To obtain the longest lifespan of your outdoor products, avoid extended and lengthy exposure to rain, snow, and direct sunshine. Whenever possible cover the product and /or place under patio or awnings.
 -  ● Not for commercial use. For residential use only .
 -  ● Stains may be removed with mild soap solution and damp cloth.
 -  ● Keep away from sources of ignition.
-
-  ● Dust and pick-up spills using a clean, non-colored, lint-free cloth .