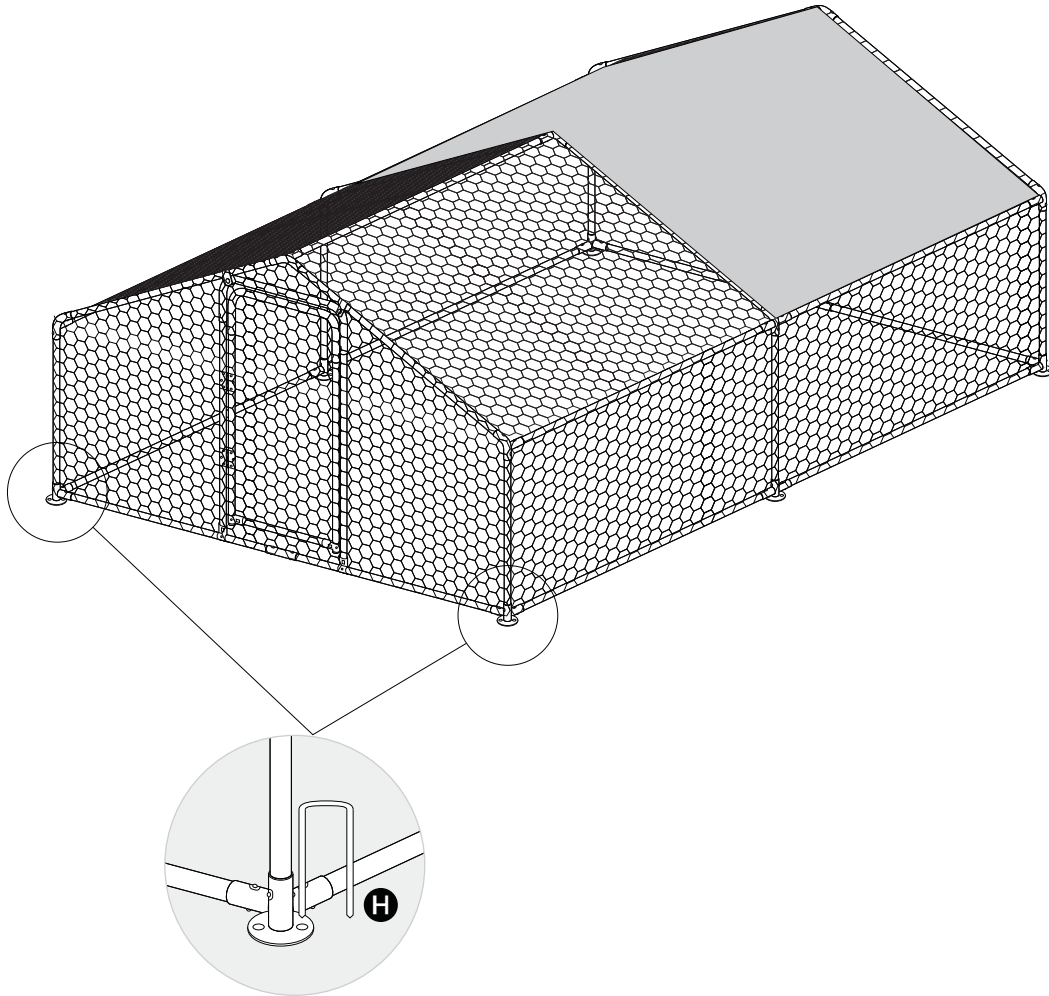
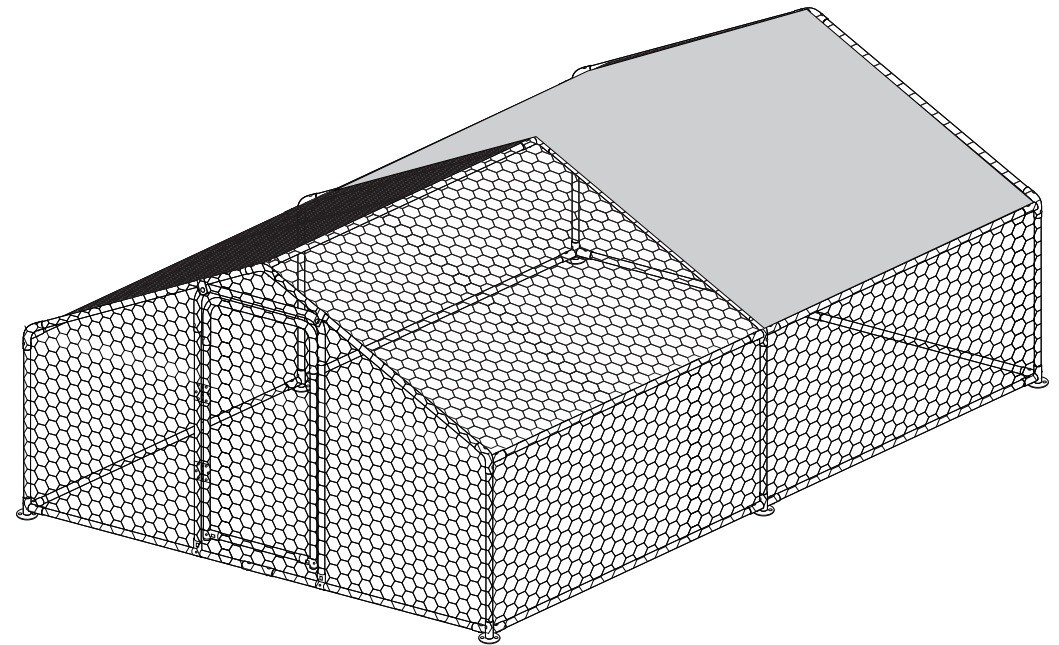


## Step 11



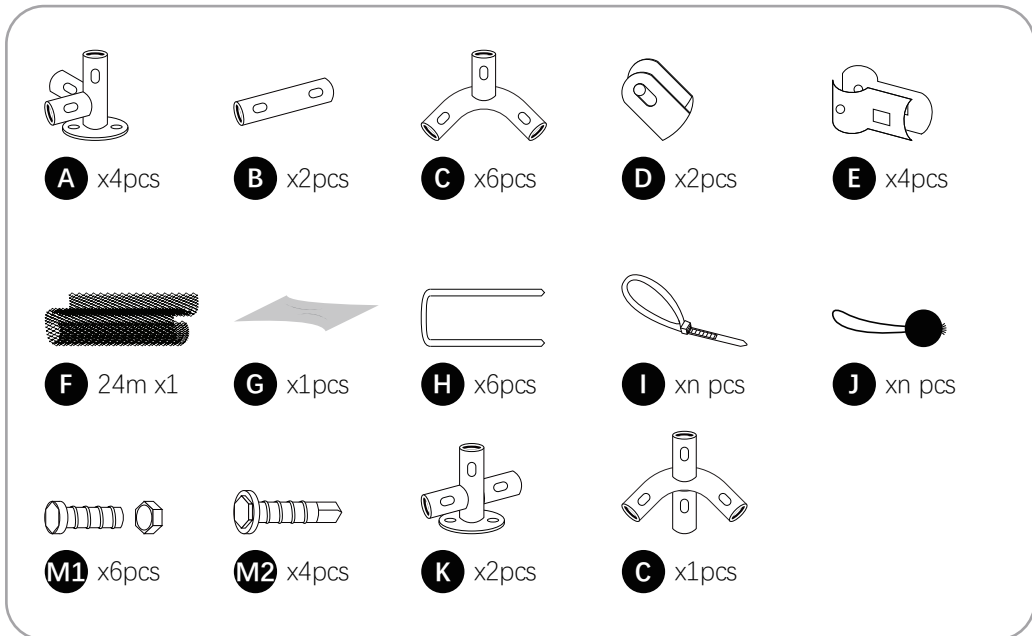
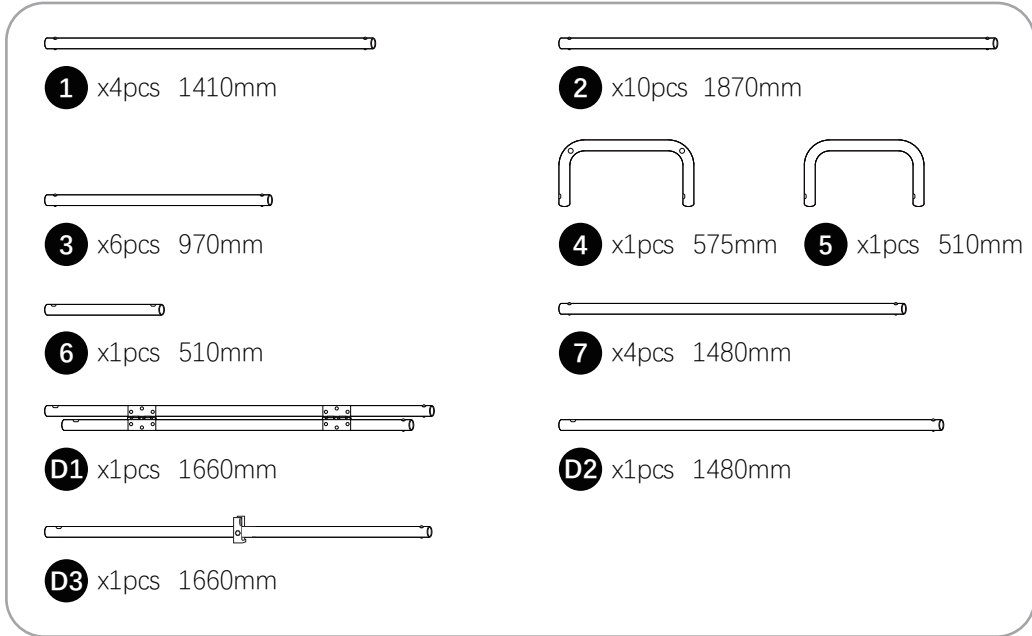
# Metal Walk-in Chicken Coop Run

Instruction manual  
For specification: 4m(L) x 3m(W) x 2m(H)

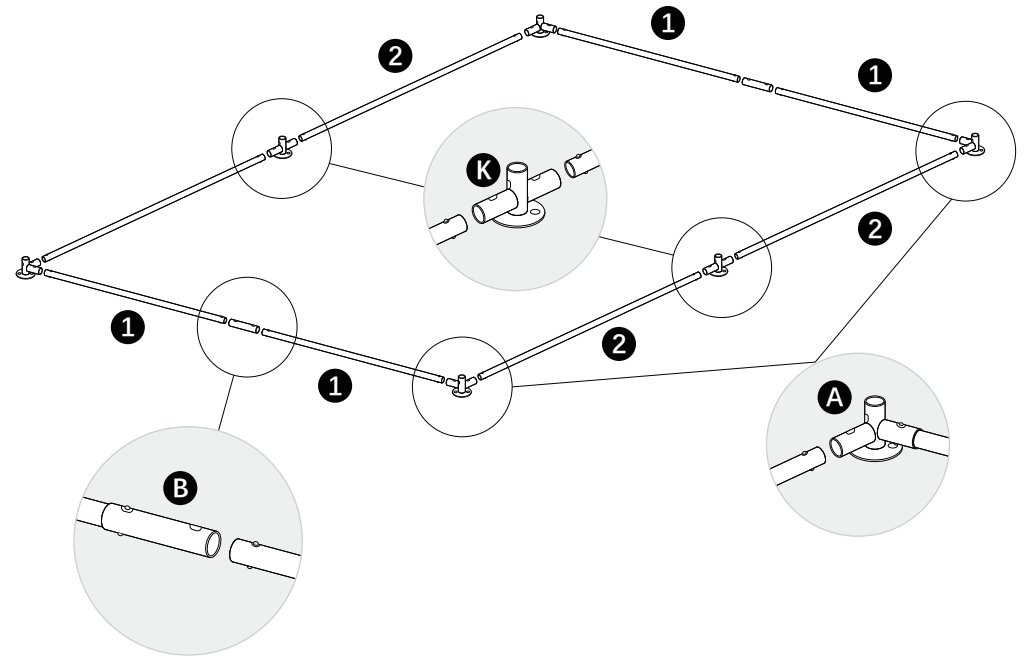


Please read this manual carefully before assembly

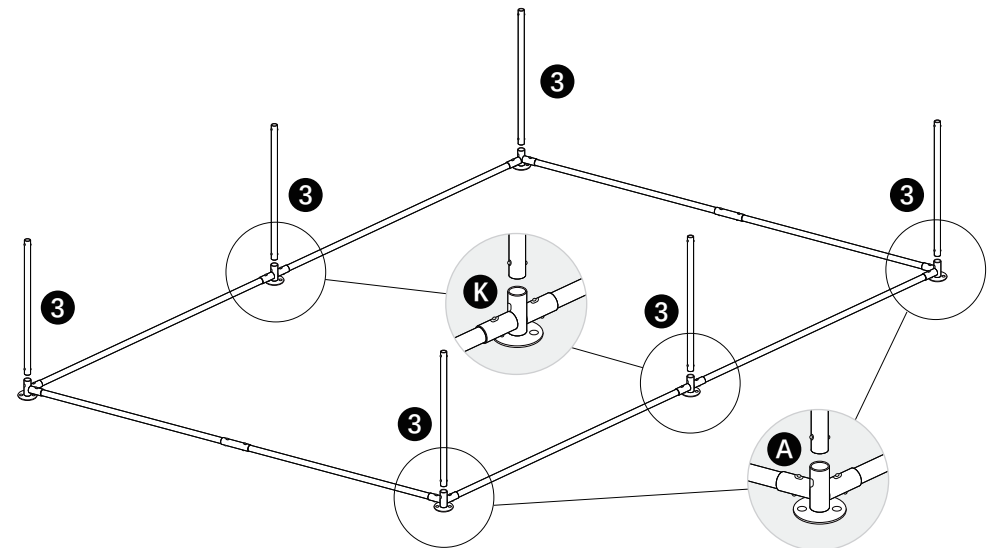
## Part List



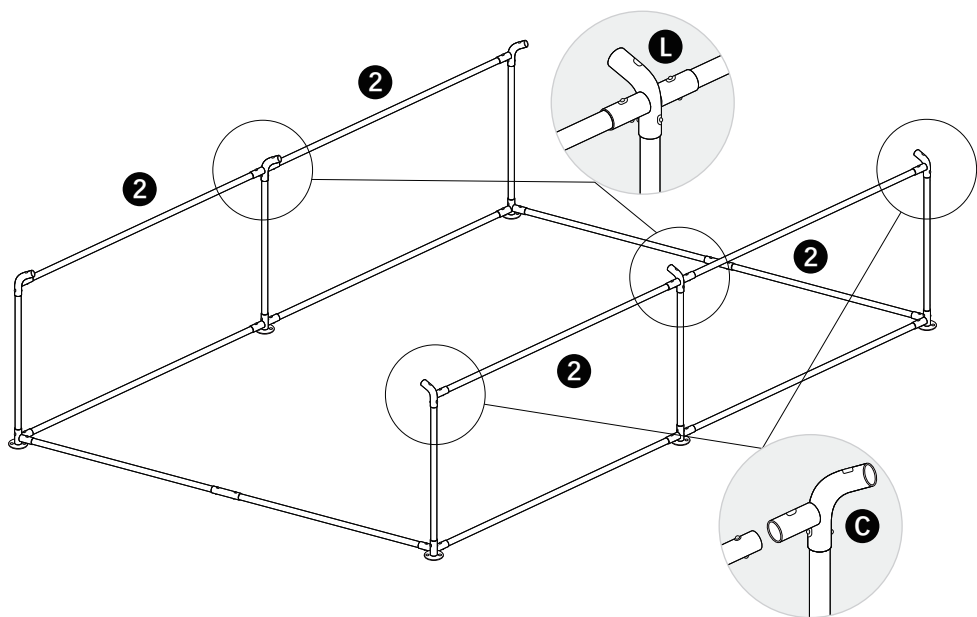
## Step 1: building the bottom frame.



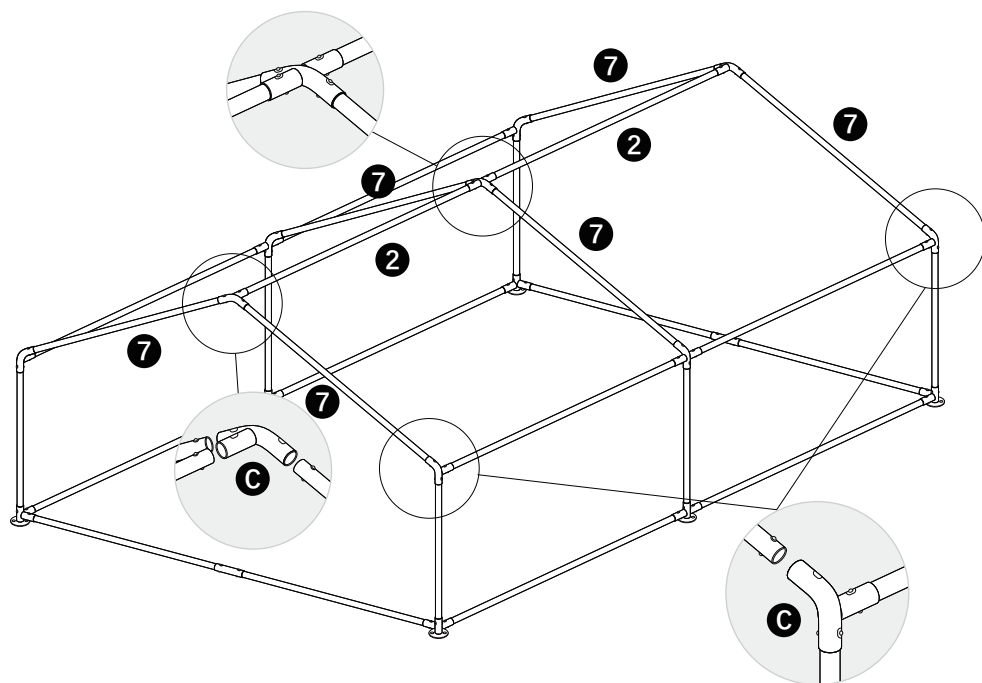
## Step 2: connect the tube No.3 with the bottom frame.



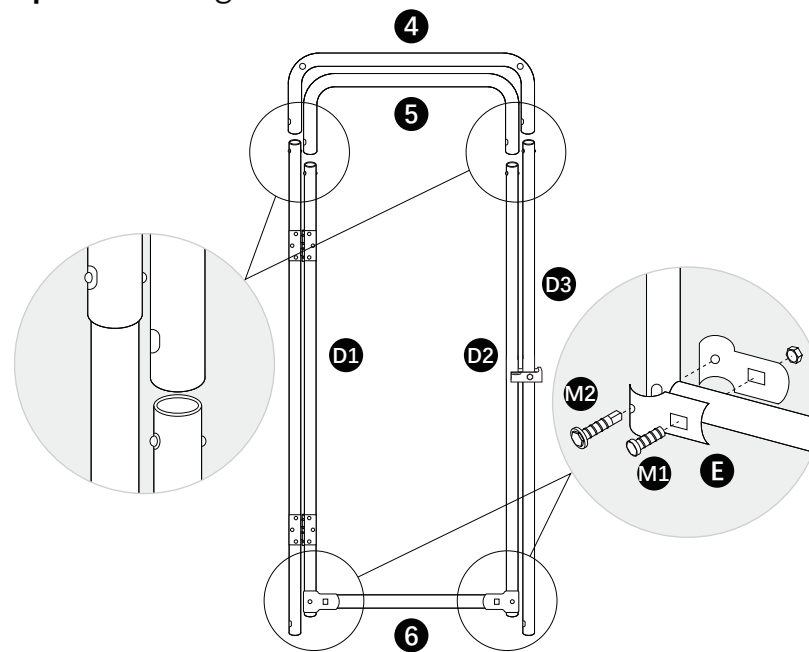
**Step 3:** building the middle frame.



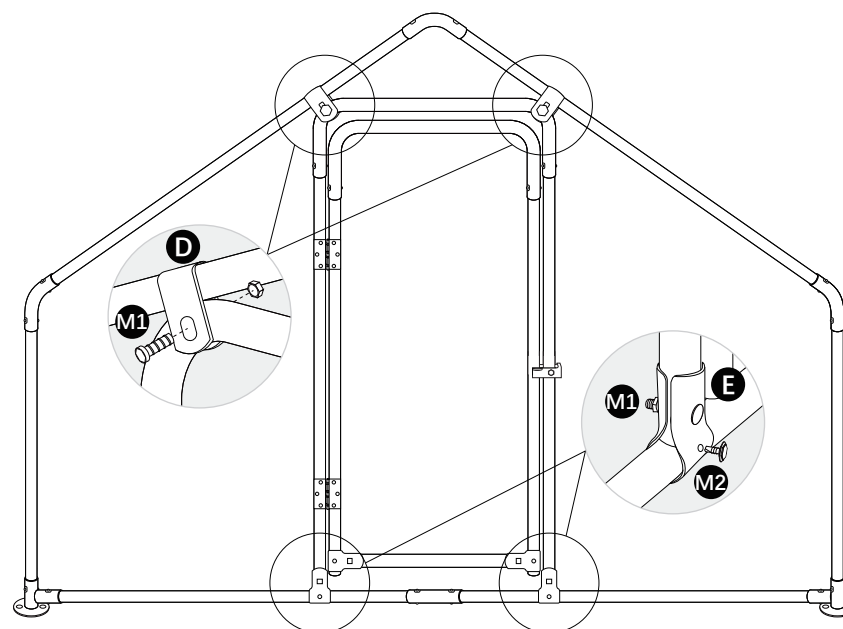
**Step 4:** building the top frame.



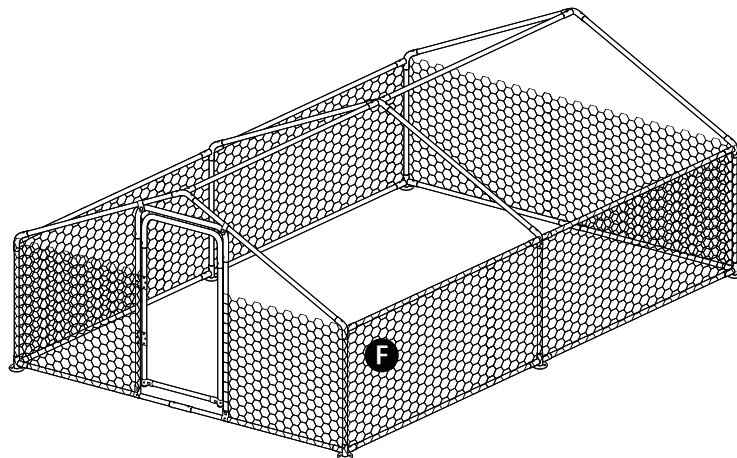
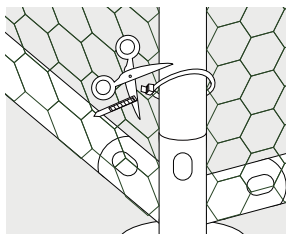
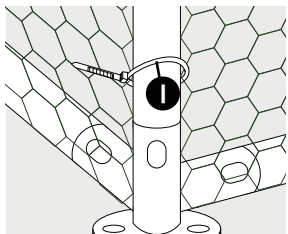
**Step 5:** building the door.



**Step 6:** contact the door with the frame.



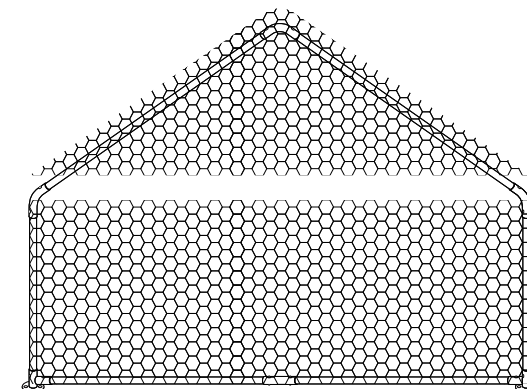
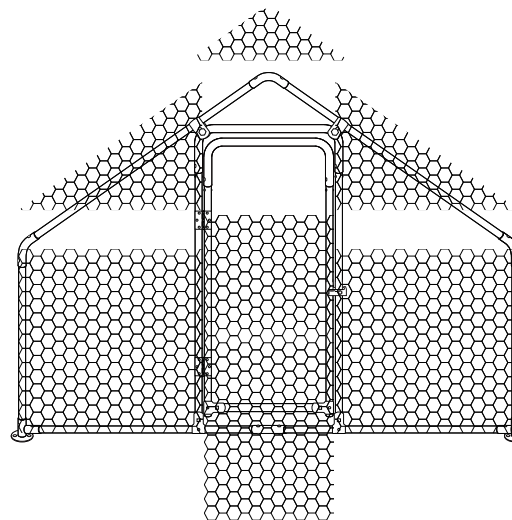
Step 7



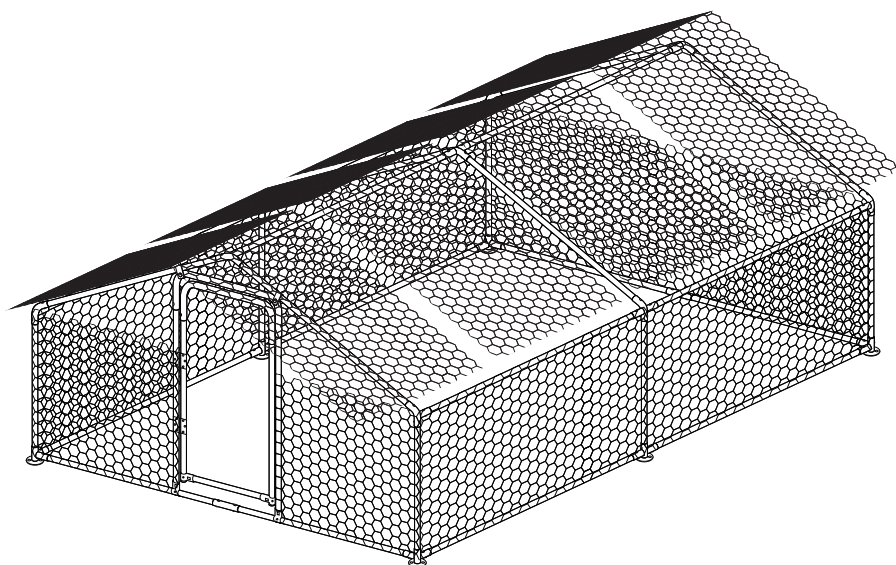
Step 9

Front

Back



Step 8



Step 10

