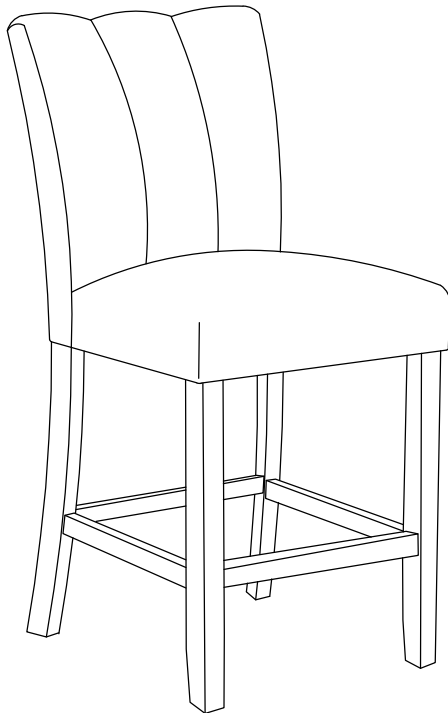


ASSEMBLY INSTRUCTIONS



TOOLS REQUIRED



Allen key
(Included)

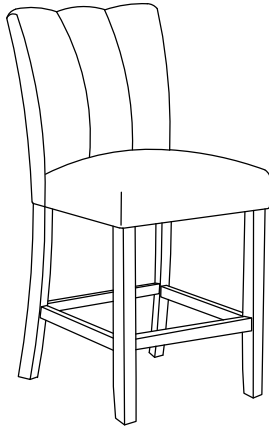


Screwdriver
(Not Included)



2 - People

Enjoying this product? We'd love your 5-star review!
If you have any issues, our support team is happy to help.



CHECK BEFORE STARTING

Are you missing anything?

Please double check all hardware and parts match the assembly guide before putting the product together. If damaged, we suggest you put the item back in the box and start your claim or return

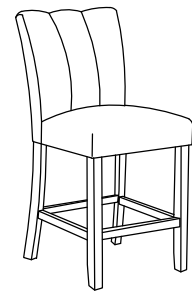
Should we send any replacements?

If there are any manufacturer defects or missing pieces please contact us for replacements. If purchased online, please contact the website of where you purchased it from, DIRECTLY

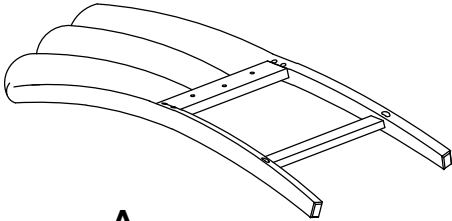
IMPORTANT INFO before assembly:

- If there's a problem with the parts do not attempt to assemble the product
- Place all parts on a clean and smooth surface such as a rug/carpet to avoid parts from being scratched
- When tightening screws to product do not overtighten until product is fully setup
- If product is too heavy for a single person to carry do not attempt and ask for assistance
- DO NOT DRAG or PUSH item to desired location. Must be carried when moving
- If item is not working as intended please review the assembly guide to see if any steps were missed or incorrectly built. If there's a problem with part please contact seller for additional assistance
- Please keep all hardware and small parts away from pets/infants
- Please wear gloves or protective gear to protect from getting cuts
- It is normal for new furniture to have an off gassing smell. Please air out furniture near a window for a few hours or a day before placing it in its desired location
- All products may have a slight color and texture variation due to different shipments, natural materials, screen-resolutions, or lighting in home. Images are rendered by different devices or websites

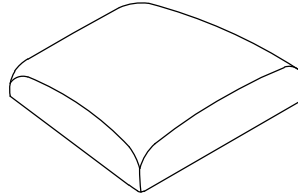
Dining Table



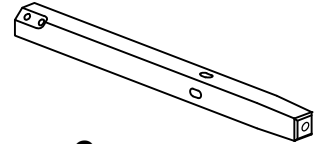
Part List



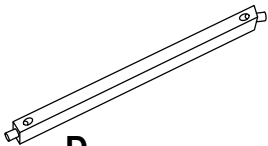
A.
Chair back
1 pc.



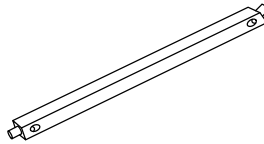
B.
Seat Cushion
1 pc.



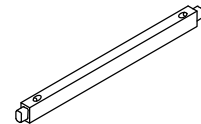
C.
Chair Legs
2 pcs.



D.
Left Stretcher
1 pc.

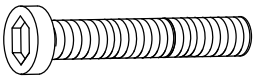


E.
Right Stretcher
1 pc.

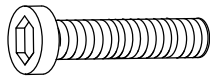


F.
Front Stretcher
1 pc.

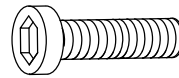
Hardware List



Ø5/16"x83
Bold (Long)
4 pcs.



Ø5/16"x57
Bold (Normal)
4 pcs.



Ø5/16"x45
Bold (Short)
2 pcs.



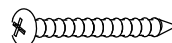
Allen key
1 pc.



Spring washer
10 pcs.



Flat washer
10 pcs.



#4x38
Screw
6 pcs.

If any parts/hardware listed are damaged or missing
Please contact the seller for additional assistance

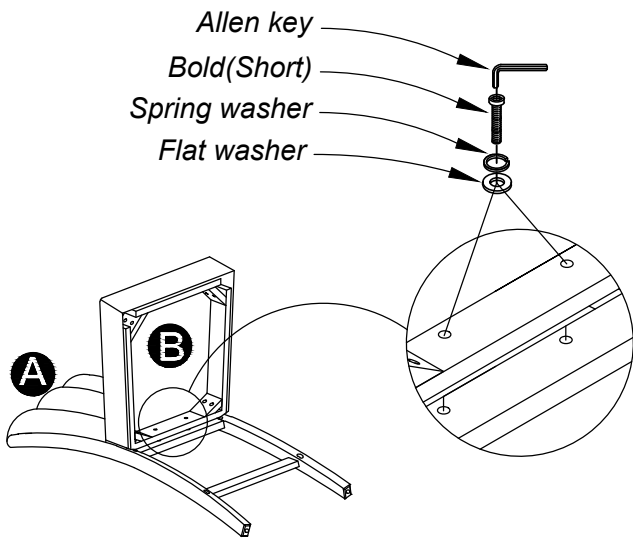
ASSEMBLY INSTRUCTIONS

IMPORTANT

- Please keep Allen key in a safe place as you may need to tighten up the Bolts in the future.
- Use a soft cloth between these parts and the floor.
- After assembly, item must be level to work property. Use the included adjustable leveler to level.

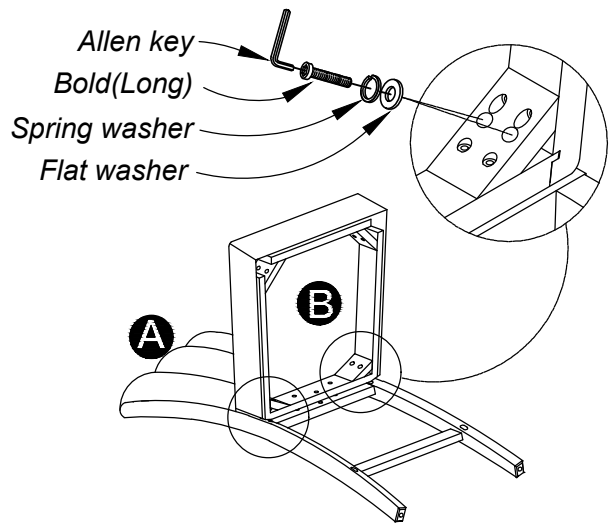
STEP 1

Place chair back (A) on a clean, smooth surface.
Attach seat cushion (B) to chair back (A) with bolts (Short), Spring washers, Flat washers and Allen Key.



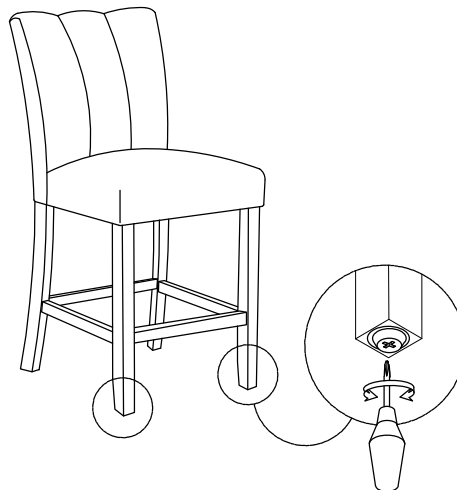
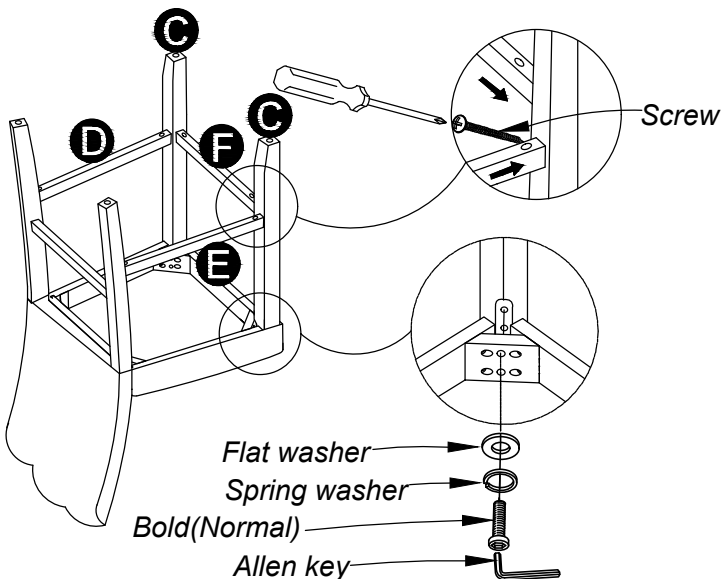
STEP 2

Attach seat cushion (B) to chair back (A) with bolts (Long), Spring washers, Flat washers and Allen Key.



STEP 3

Attach front legs (C) to seat cushion (B) with bolts (Normal), Spring washers, Flat washers and Allen Key.
Next insert stretcher (D,E,F) to front leg and back. Use screw and screwdriver (not included).



NOTE: Turn the leveler in a clockwise direction to extend.
Turn the leveler in a counterclockwise direction to retract.

ASSEMBLY COMPLETED

✓ Please ensure the furniture rests on an even and flat surface. If the product wobbles or feels loose, double-check all bolts and/or screws are properly tightened and secured.

✓ **Keep this handy!**

Please retain this instruction manual and any order-related information for future reference.

✓ **Lift, don't drag!**

To avoid damage to product please always LIFT the product when transporting or adjusting the placement.

This product is intended for RESIDENTIAL USE ONLY and not for commercial use.