

Before using your hot plate, it is important to know your microwave ovens wattage. The wattage can be found inside the microwave door, on the back panel or in your instruction manual.

TO HEAT ONE HOT PLATE:

Place hot plate in to microwave (see figure A) and heat as indicated below.

600-900 Watt Ovens 2-4 Minutes

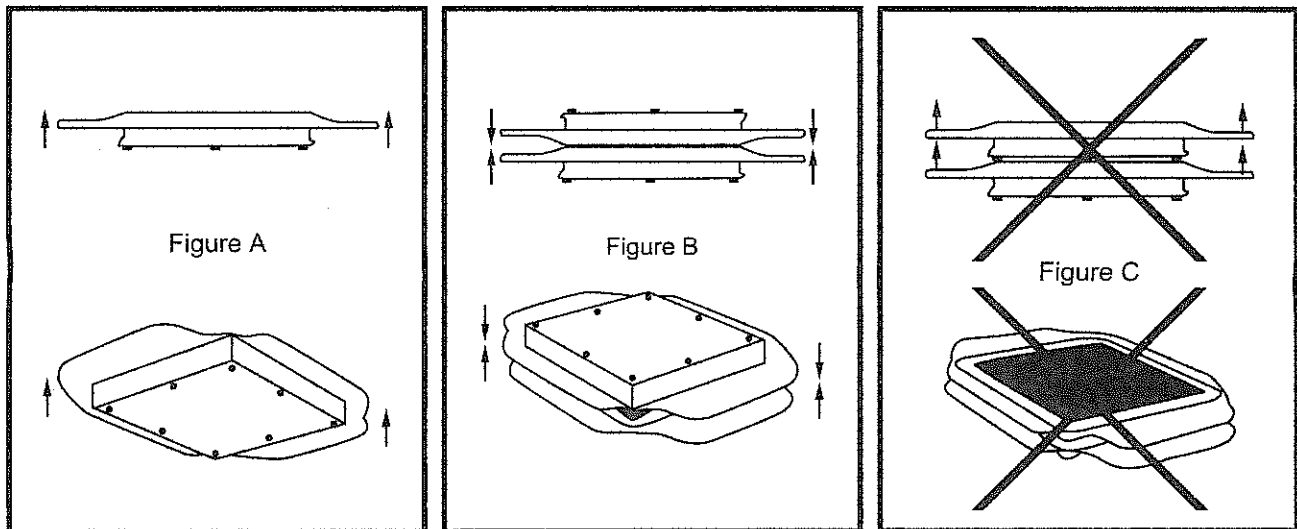
1000-1500 Watt Ovens 2-3 Minutes

Note: Heating time will vary depending on make of oven and wattage. If plate does not reach an adequate temperature after heating if for the appropriate time for your wattage oven (as indicated above), you may want to experiment with heating the plate for additional time (1-3minutes). Gradually increase the time you microwave your Microwaveable Plate until it reaches desired temperature.

WARNING: DO NOT OVERHEAT! 212°F / 100°C/ MAX. Overheating may cause hot plate to melt!

TO HEAT TWO HOT PLATES AT THE SAME TIME:

IMPORTANT: When heating 2 hot plates simultaneously, you must place hot plates face to face (Bottom hot plate facing up and top hot plate facing down) so that the granite centers are facing and touching each other. (Granite must touch granite - see figure B).



WARNING: Heating 2 hot plates simultaneously, with both granite sides facing up (see figure C), will cause the bottom of the top hot plate to melt. When heating 2 hot plates at the same time, always heat per the instructions above.

Other Precautions:

1. Do not overheat: 215°F /100°C/Max. Overheating may cause the hot plate to melt.
2. When reheating a warm hot plate, heat for half the recommended time.
3. Be careful not to touch the granite section after heating - It will be very hot.
Always use handles to move and carry hot plate.
4. Always remove serving dishes before microwaving.
5. Heat in microwave oven only. Do not use conventional oven, toaster oven or grill function.
6. Do not use harsh, abrasive cleaners.
7. Do not use hot plate with any meltable materials such as plastic containers, or any other containers that may melt.
8. Do not use with paper plates or any other paper products.
9. Stone is heavy, keep hot plate form children even without heating.
10. Washable; Push out stone through bottom hole to remove stone from plastic plate for easy cleaning