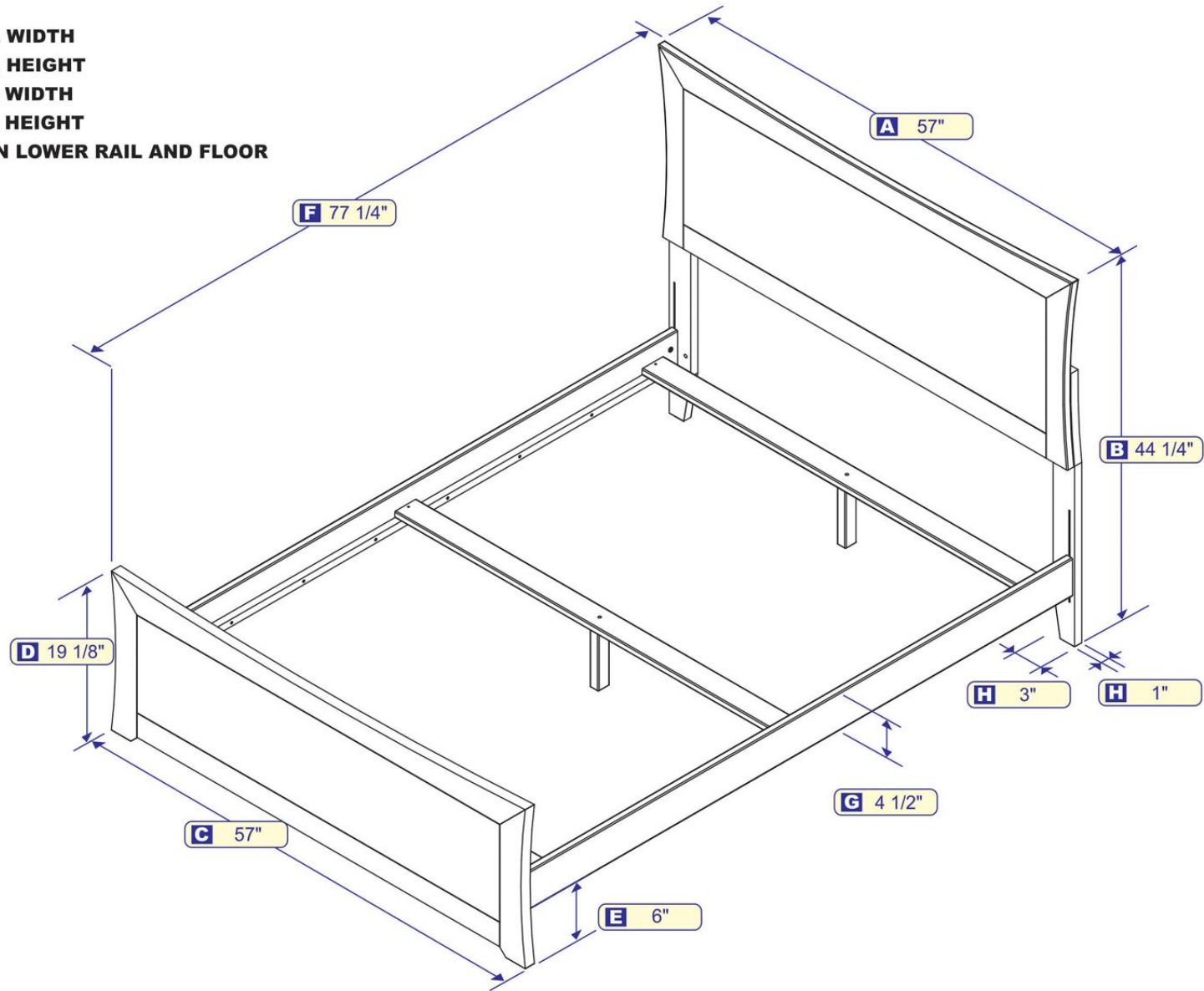


- A HEADBOARD PANEL WIDTH**
- B HEADBOARD PANEL HEIGHT**
- C FOOTBOARD PANEL WIDTH**
- D FOOTBOARD PANEL HEIGHT**
- E DISTANCE BETWEEN LOWER RAIL AND FLOOR**
- F OVERALL LENGTH**
- G WIDTH OF RAIL**
- H WIDTH OF POST**



Note: These dimensions are approximate and subject to change without notice.  
 For exact dimensions please email to [Service@AtlanticFurniture.com](mailto:Service@AtlanticFurniture.com)