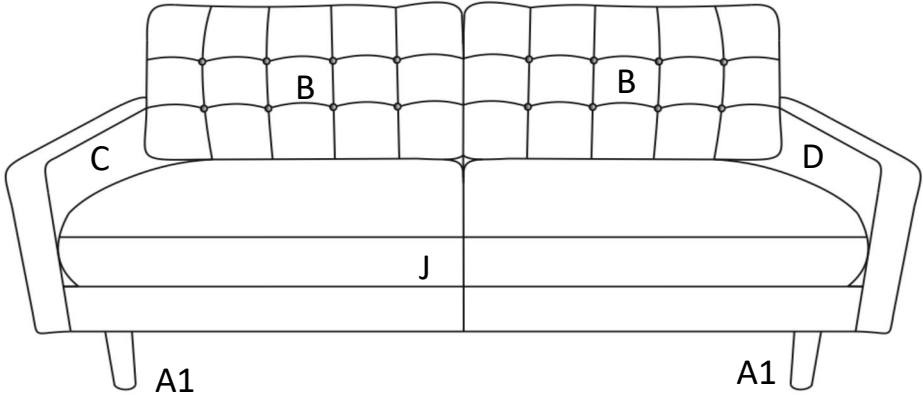


ASSEMBLY INSTRUCTION



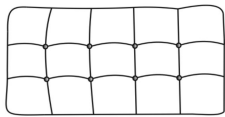
Front Leg

A1: Legs 2PCS

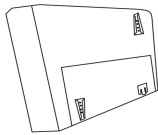


Back Leg

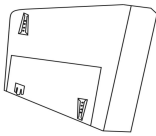
A2: Legs 2PCS



B: Back Cushion 2PCS



C: Left Arm 1PC



D: Right Arm
1PC



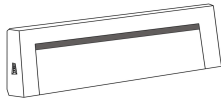
E: Washer 2PCS



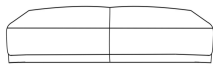
F: Bolt 2PCS



G: Allen Key
1PC

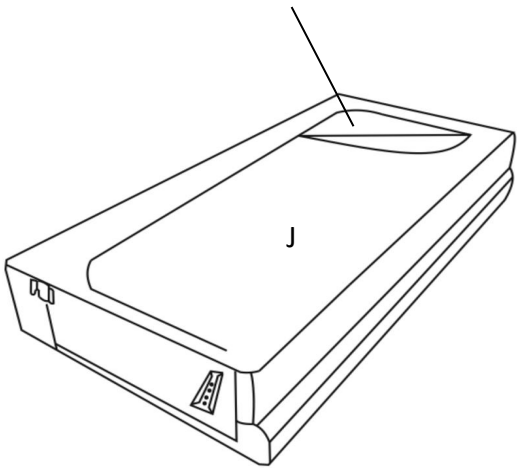


H: Backrest 1PC

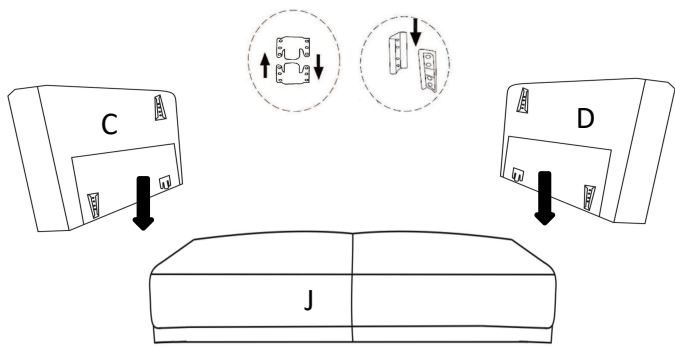


J: Body 1PC

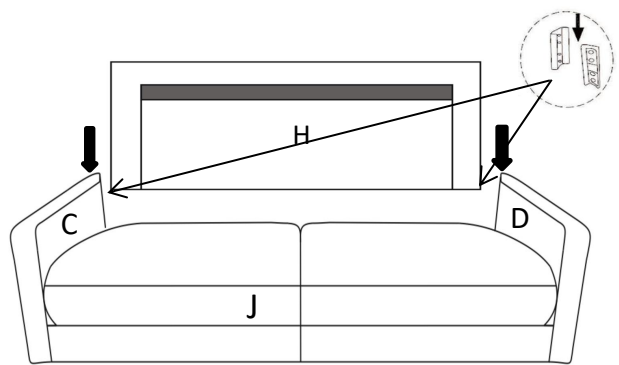
A1x2, A2x2, Bx2, Ex2, Fx2, Gx1
Packed In The Bottom



STEP 1

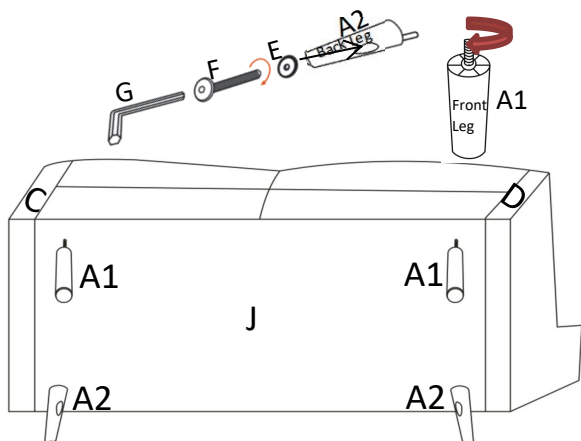


STEP 2

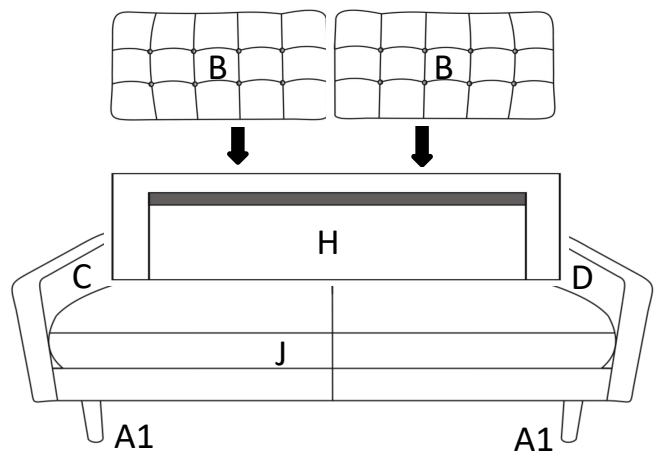


STEP 3

- 1) Twist the front legs(A1) clockwise to fixed it on the sofa.
- 2) Use the spare parts EFG to fixed the back legs(A2) on the sofa.



STEP 4



STEP 5

