

ASSEMBLY INSTRUCTIONS



TV CONSOLE

ASSEMBLY INSTRUCTIONS

ASSEMBLY TIPS:

1. Remove hardware from box and sort by size.
2. Please check to see that all hardware and parts are present prior to start of assembly.
3. Please follow attached instructions in the same sequence as numbered to assure fast & easy assembly.



WARNING!

1. Don't attempt to repair or modify parts that are broken or defective. Please contact the store immediately.
2. This product is for home use only and not intended for commercial establishments.

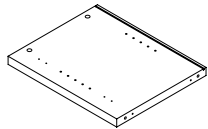
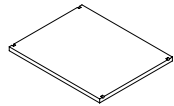
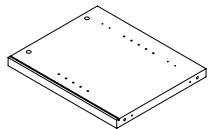
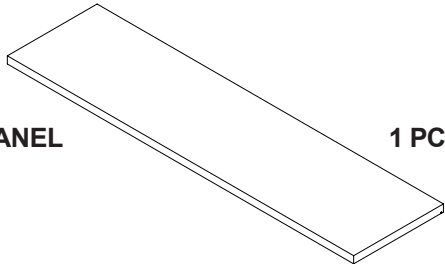
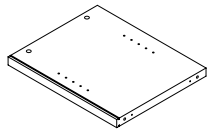
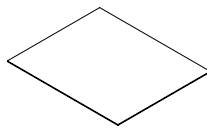
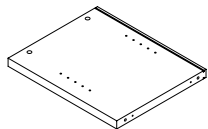
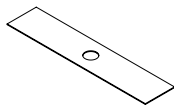
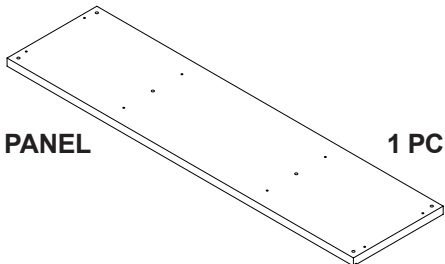
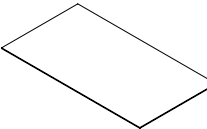
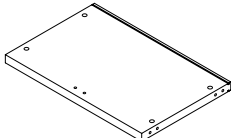
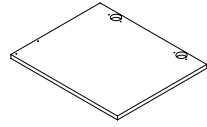


ASSEMBLY TIME

60 MINUTES

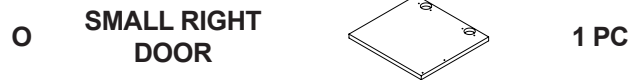
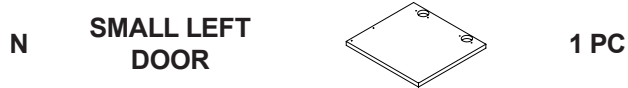
MAX TV SIZE : 65"

PARTS IDENTIFICATION

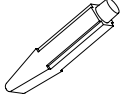
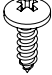
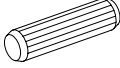
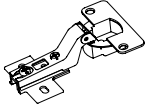
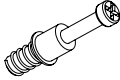


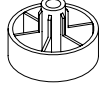
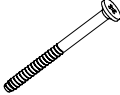
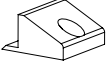
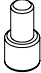

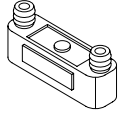
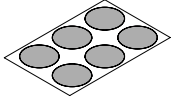
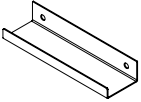
A	LEFT SIDE PANEL		1 PC	G	ADJUSTABLE PANEL		2 PCS
B	RIGHT SIDE PANEL		1 PC	H	TOP PANEL		1 PC
C	LEFT DIVIDER PANEL		1 PC	I	BACK PANEL		2 PCS
D	RIGHT DIVIDER PANEL		1 PC	J	UPPER BACK PANEL		1 PC
E	BOTTOM PANEL		1 PC	K	LOWER BACK PANEL		1 PC
F	CROSS PANEL		1 PC	L	LARGE LEFT DOOR		1 PC

NOTE:

Phillips head screw driver is required in the assembly process; however, manufacturer does not provide this item.



HARDWARE IDENTIFICATION

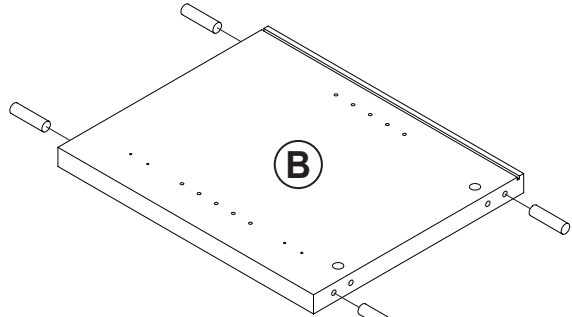
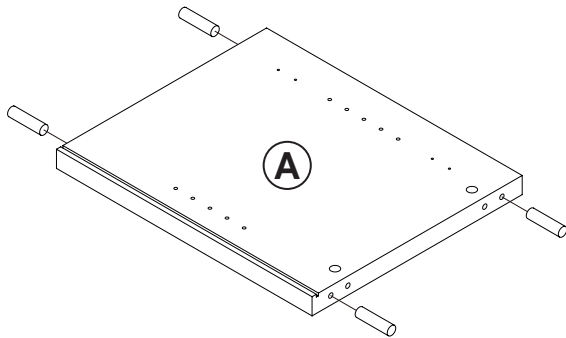
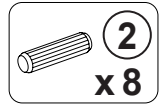
Z							
NO	DESCRIPTION	FIGURE	Q'TY	NO	DESCRIPTION	FIGURE	Q'TY
1	GLUE 15g		1 PC	9	HANDLE SCREW φ3x15mm BLK		8 PCS
2	WOODEN DOWEL φ8x30mm		20 PCS	10	HINGE φ35mm SR		8 SET
3	CAM BOLT φ7x35.5mm SR		12 PCS	11	HINGE SCREW φ4x15mm SR		32 PCS
4	CAM LOCK φ15x12mm SR		12 PCS	12	FOOT φ35xH19mm		6 PCS
5	BOLT φ9.5x55mm SR		8 PCS	13	FIXER		6 PCS
6	PIN FOR ADJUSTABLE SHELF φ4.9x8mm SR		8 PCS	14	FIXER SCREW φ3x19mm SR		6 PCS
7	DOOR CATCH		3 PCS	15	STICKER φ20mm		2 PCS
8	HANDLE L=120mm BLK		4 PCS				

Z8,Z10,Z12 not included in blister packaging.

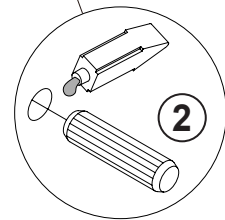
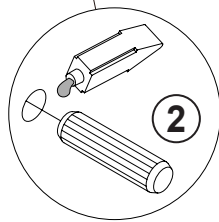
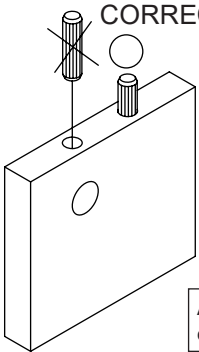
NOTE:

Phillips head screw driver is required in the assembly process; however, manufacturer does not provide this item.

STEP 1

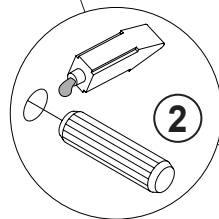
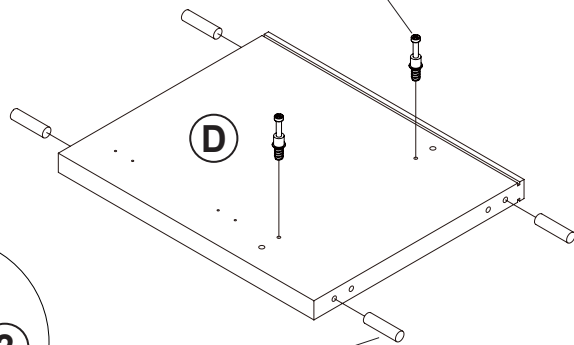
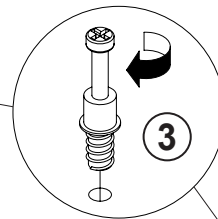
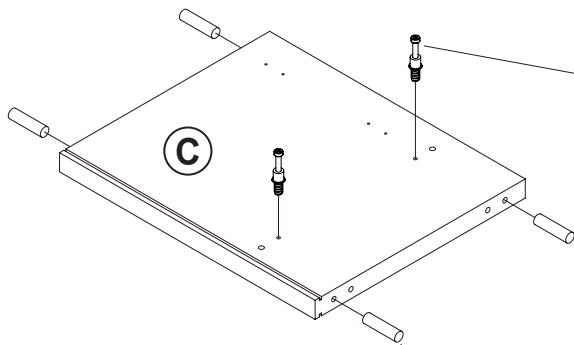
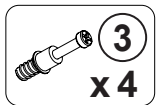
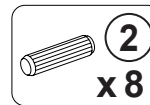


INCORRECT
CORRECT

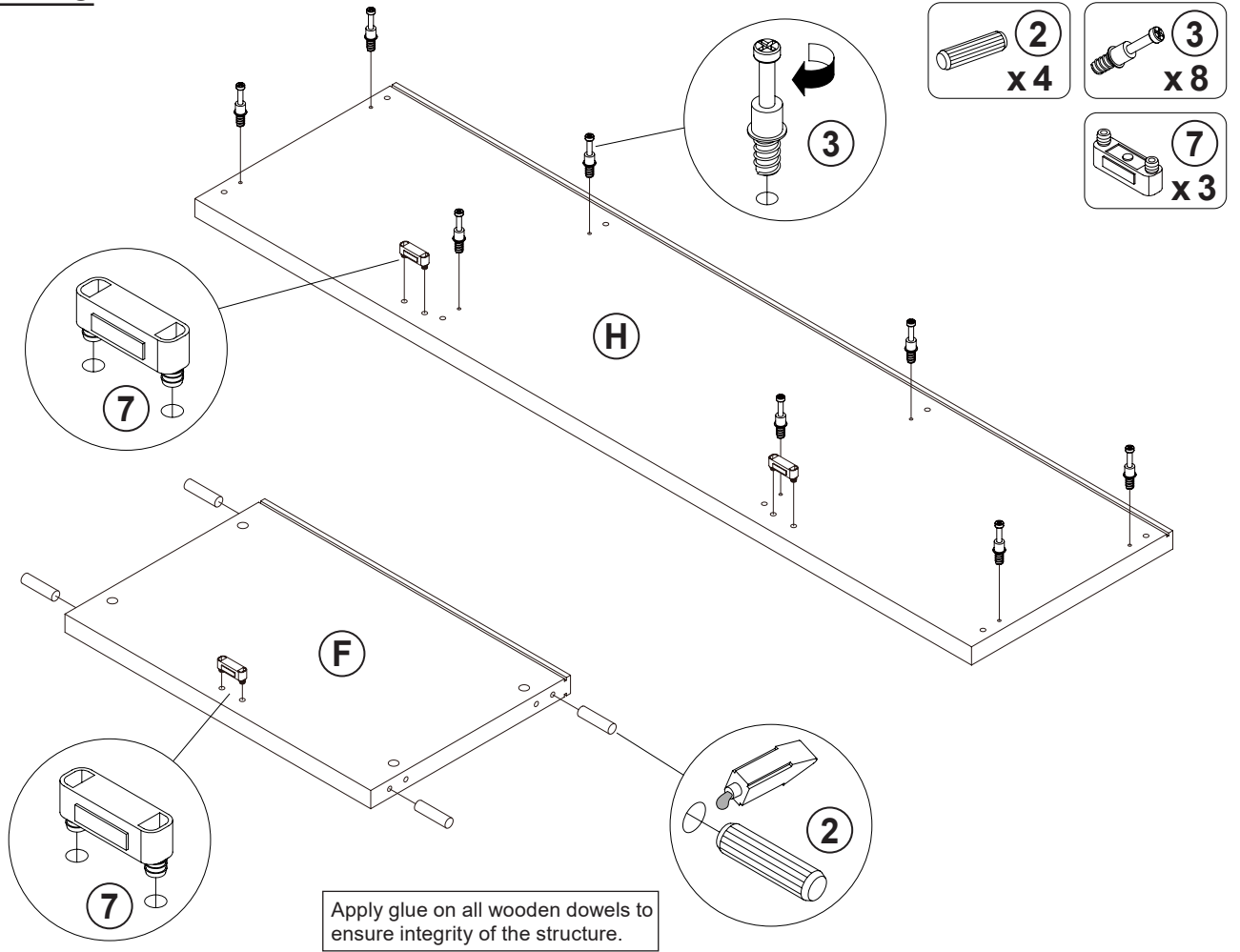


Apply glue on all wooden dowels to ensure integrity of the structure.

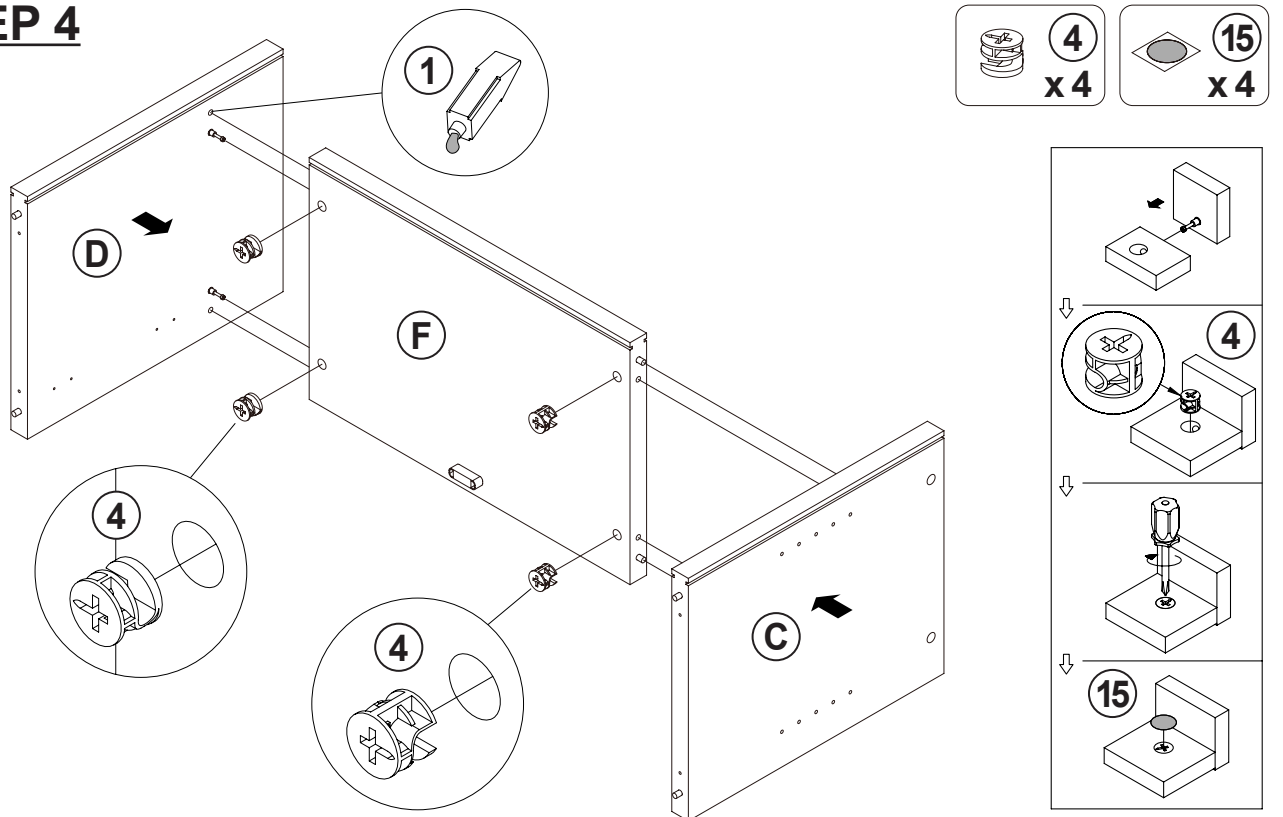
STEP 2



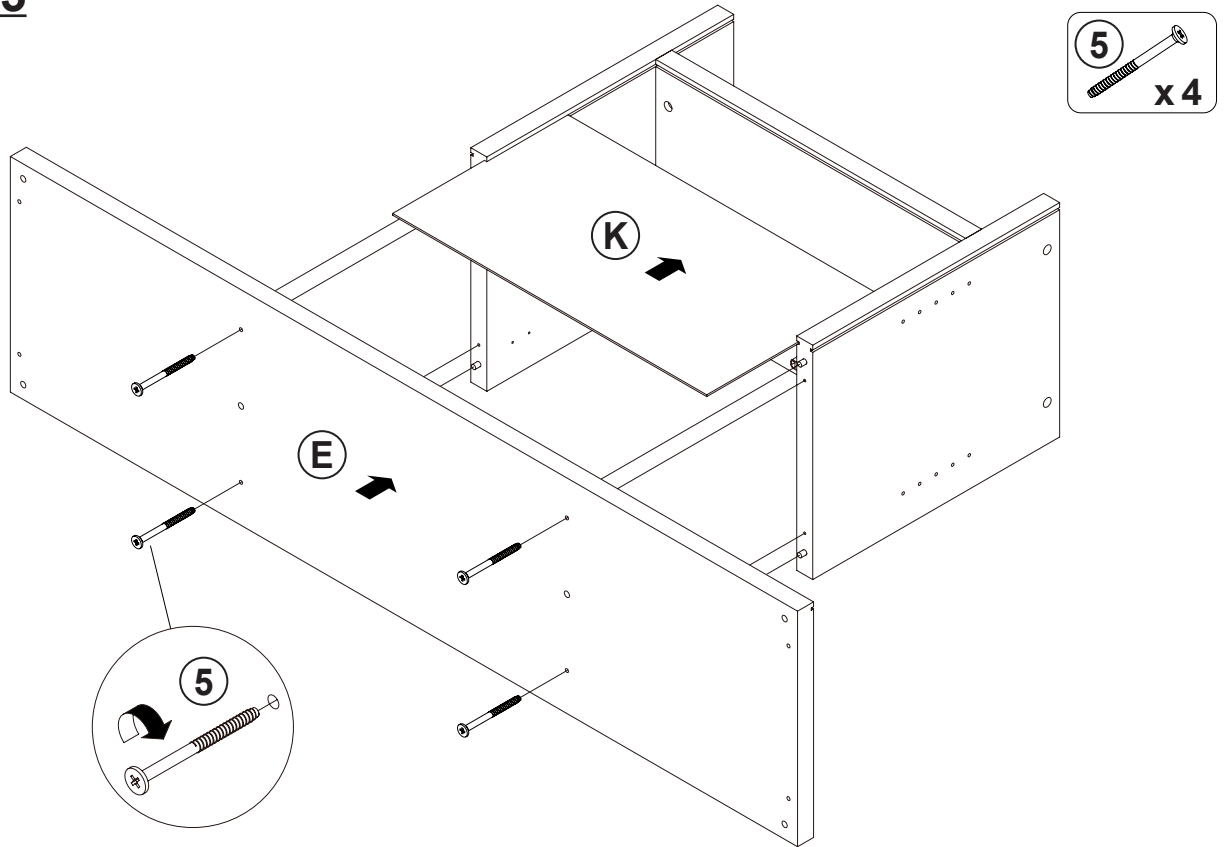
STEP 3



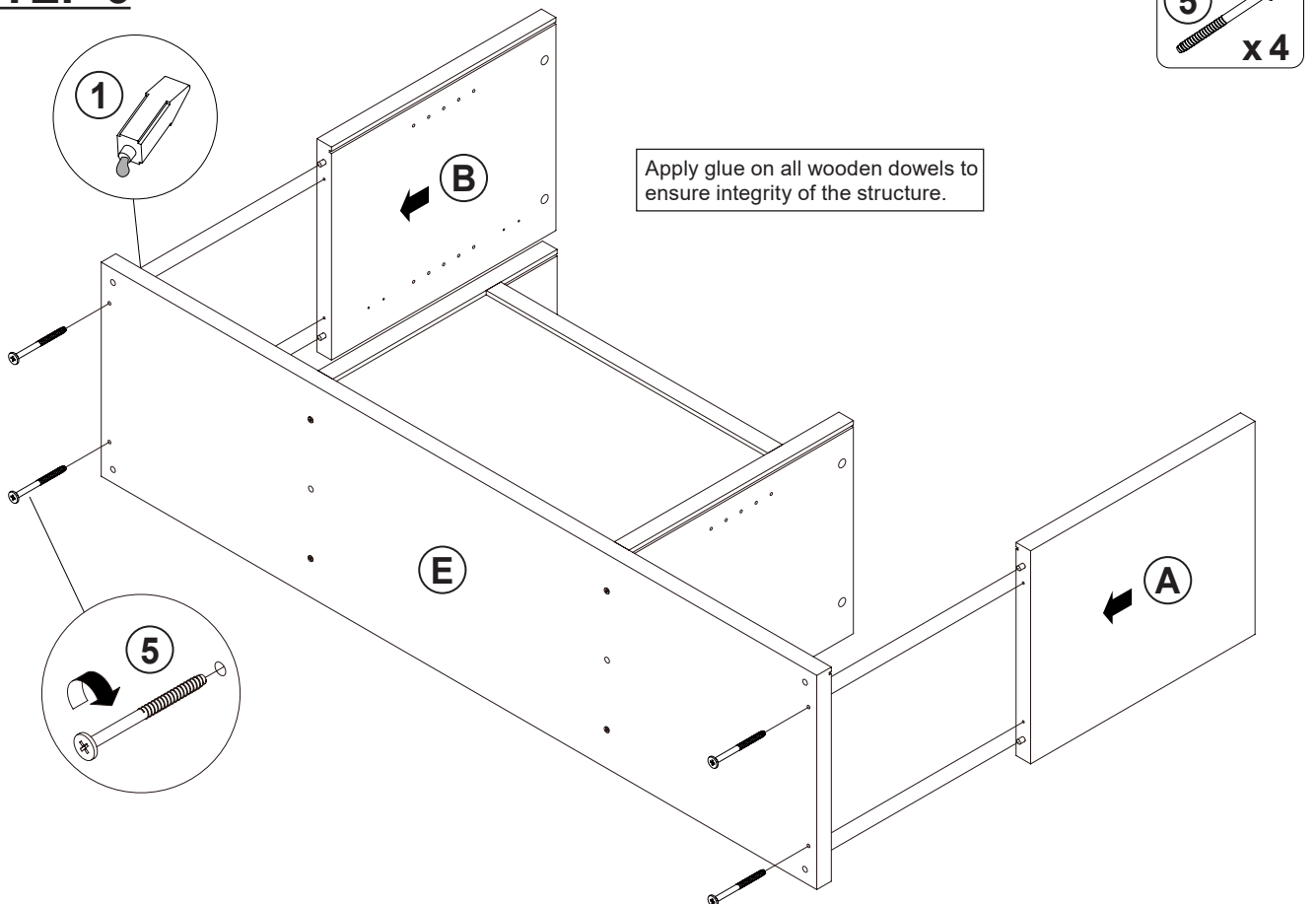
STEP 4



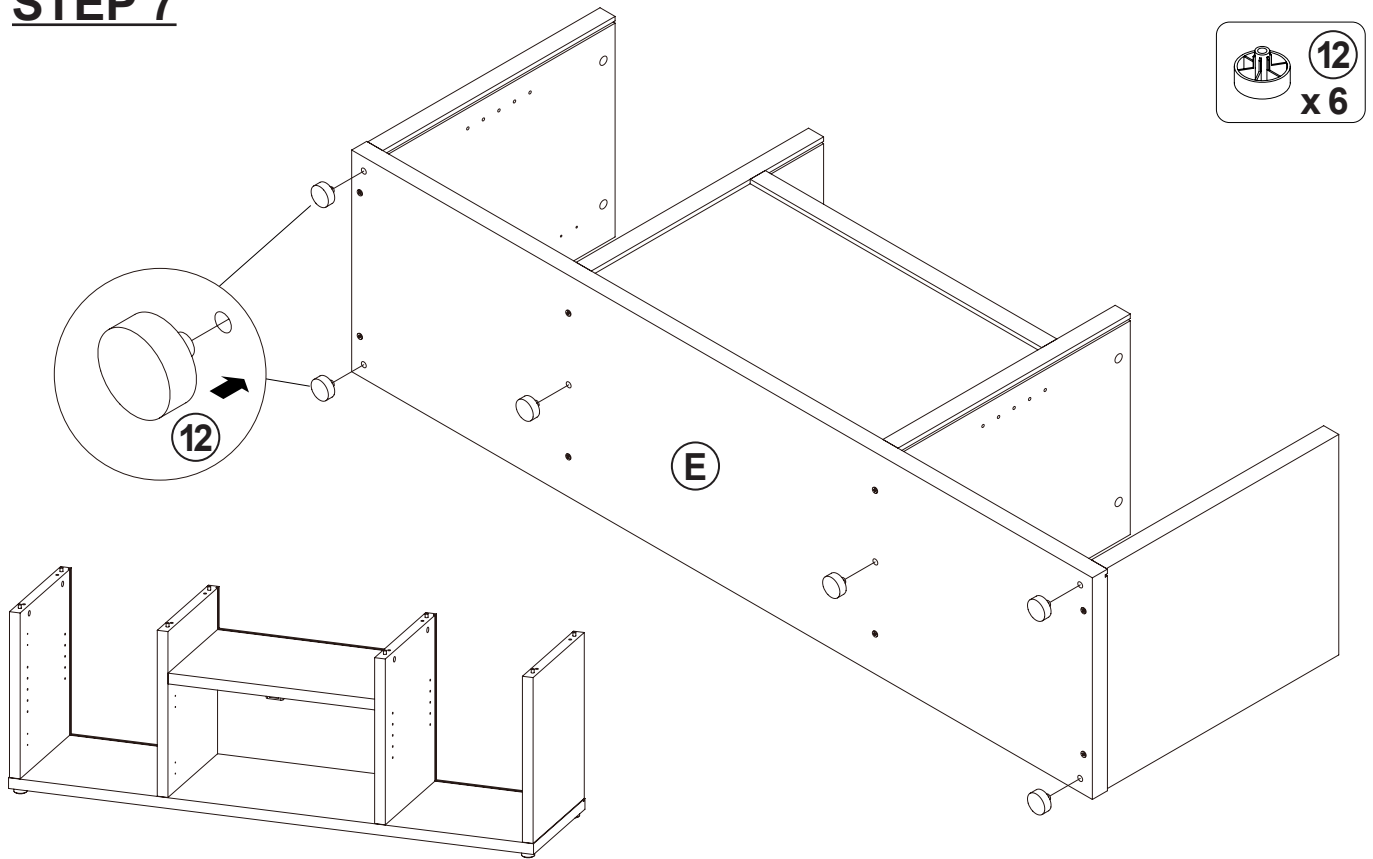
STEP 5



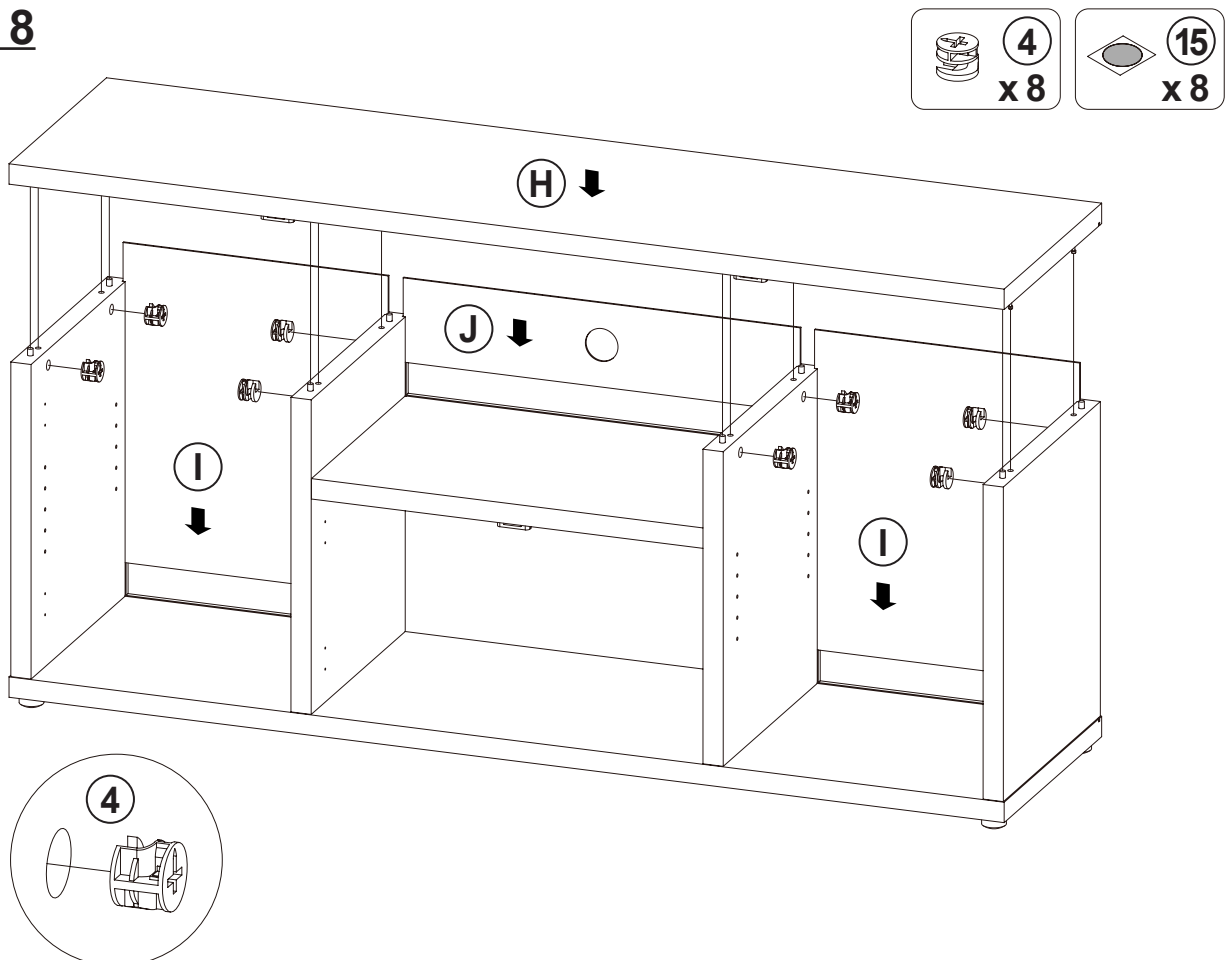
STEP 6



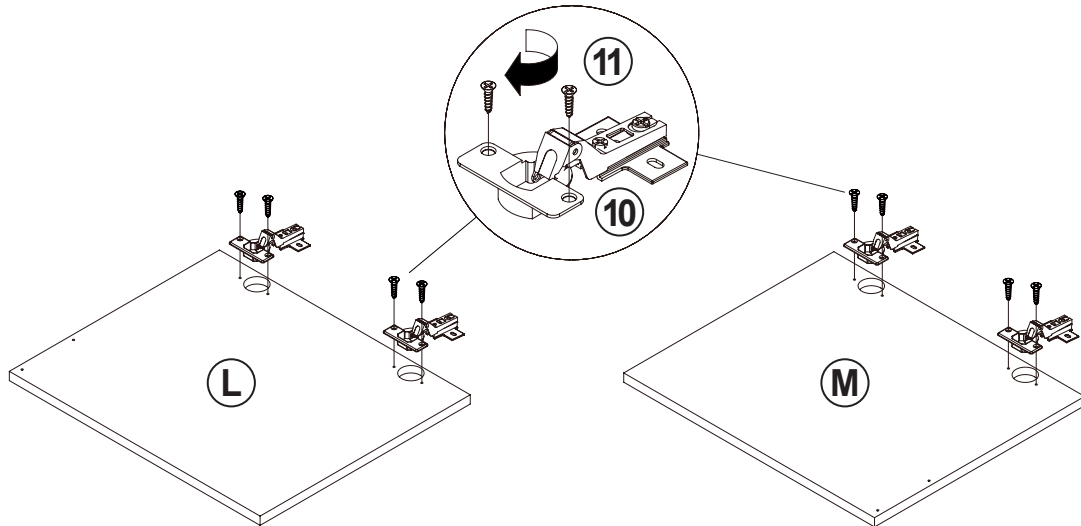
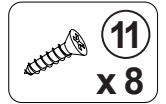
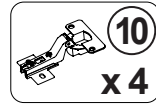
STEP 7



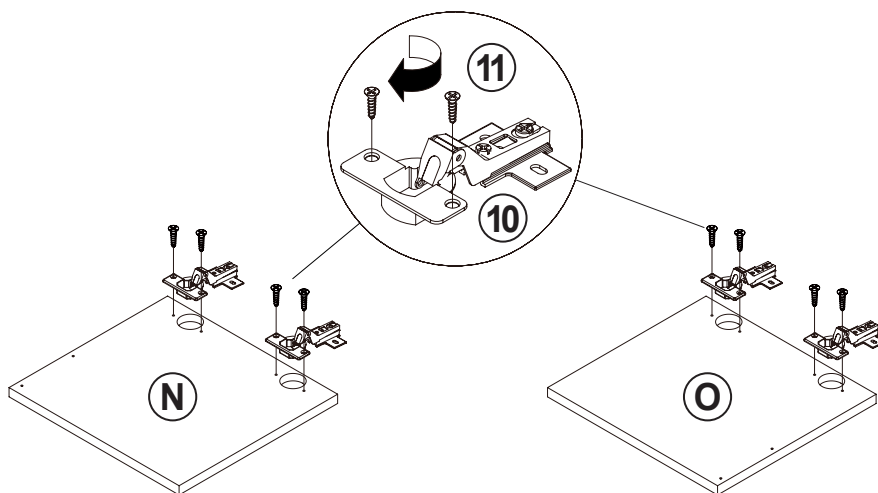
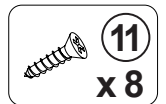
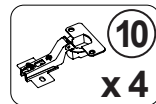
STEP 8



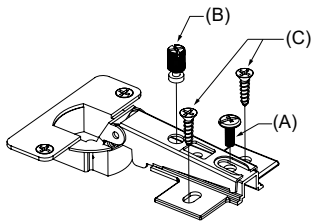
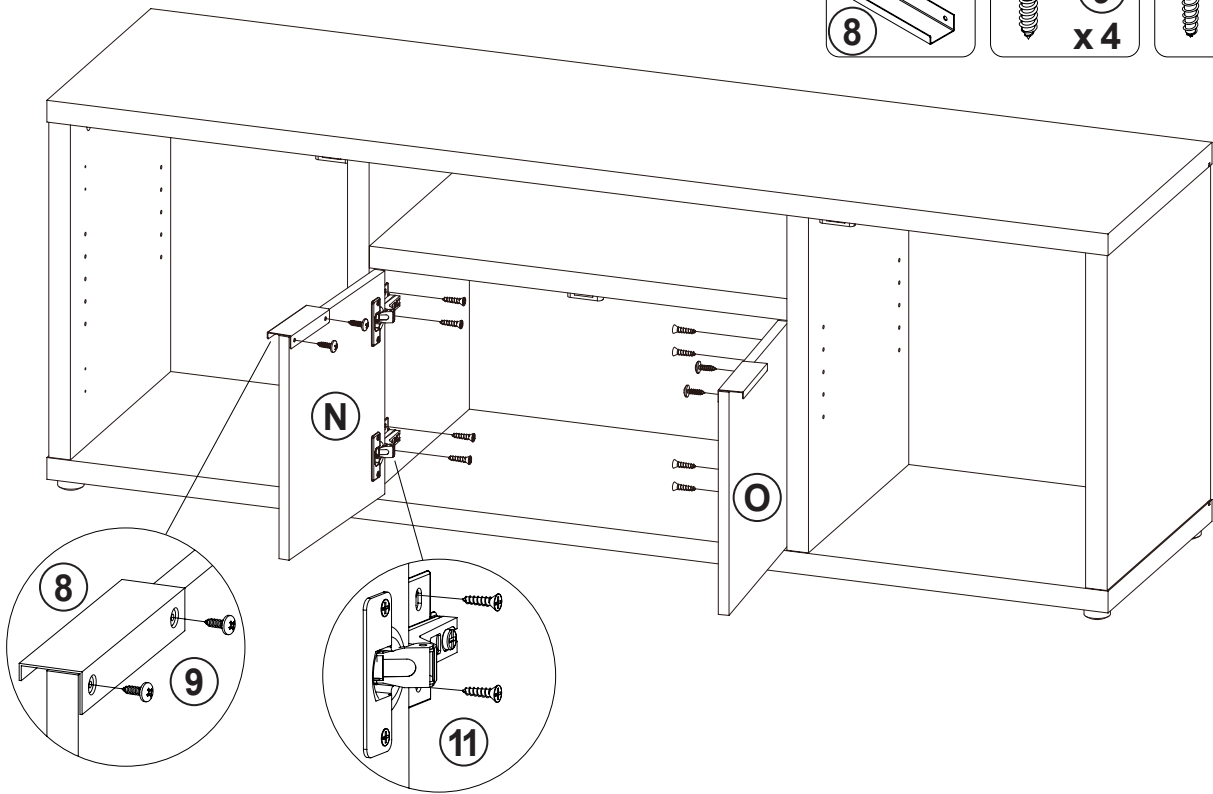
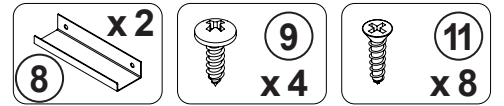
STEP 9



STEP 10



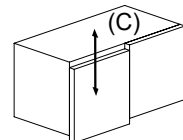
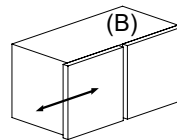
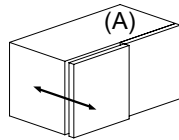
STEP 11



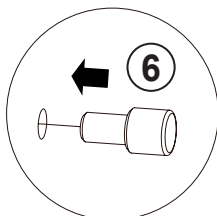
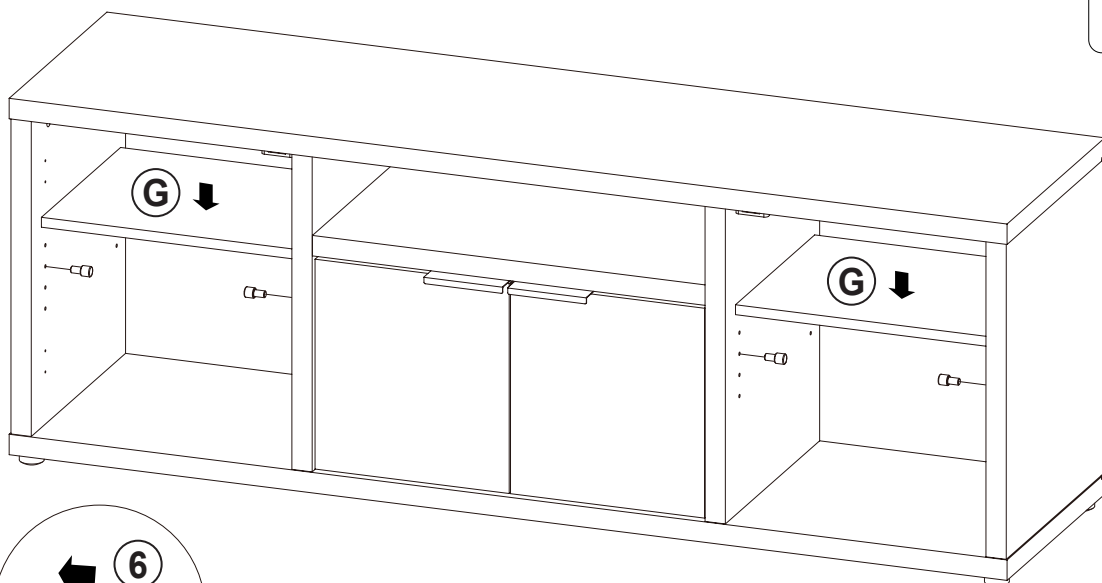
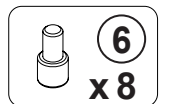
HORIZONTAL BY
SCREW A ADJUSTMENT

LATERAL BY
SCREW B ADJUSTMENT

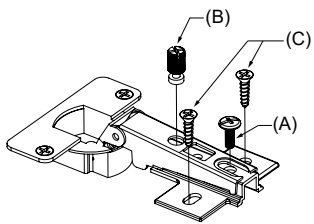
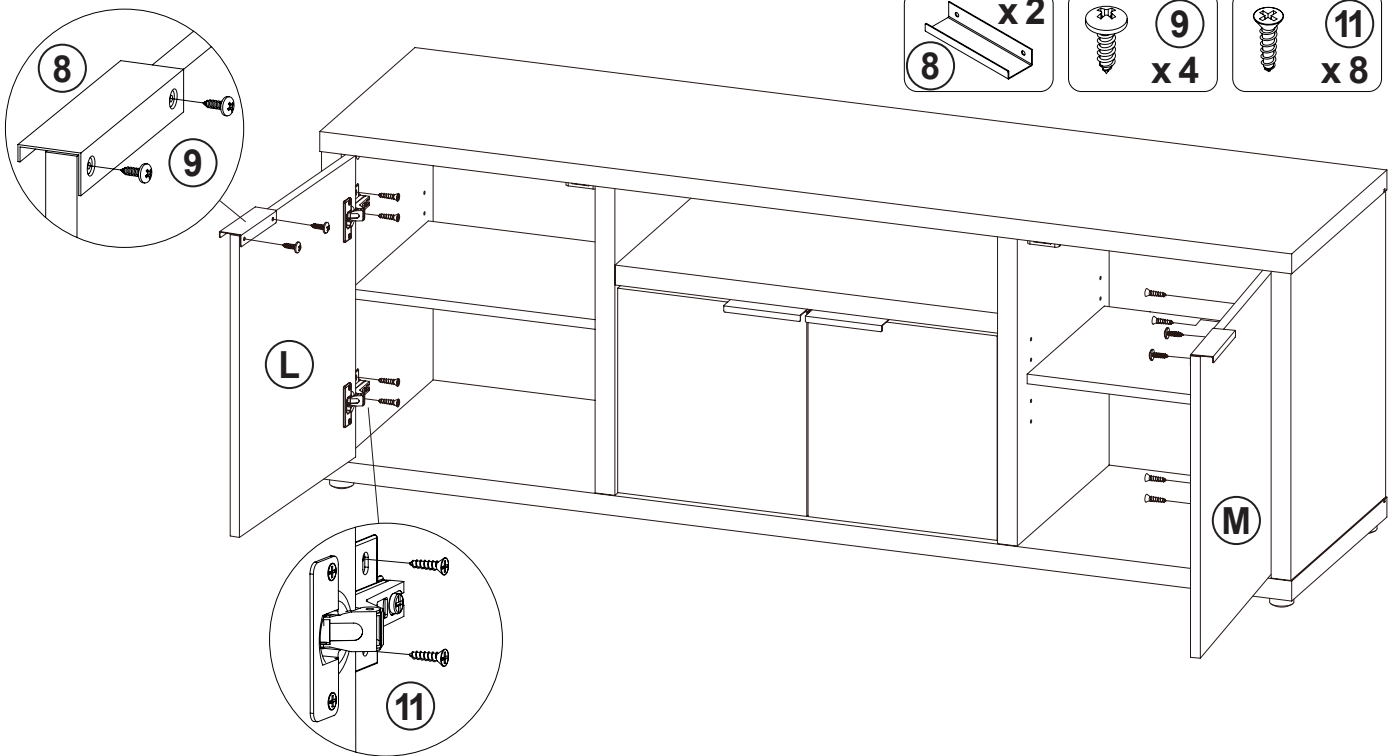
VERTICAL BY
SCREW C ADJUSTMENT



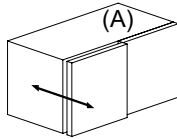
STEP 12



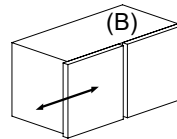
STEP 13



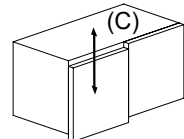
HORIZONTAL BY
SCREW A ADJUSTMENT



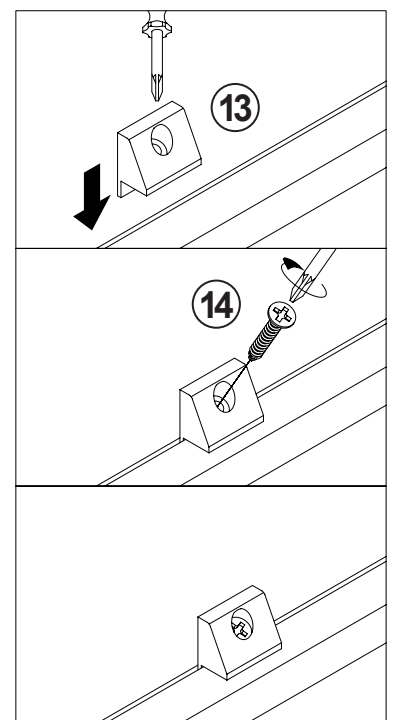
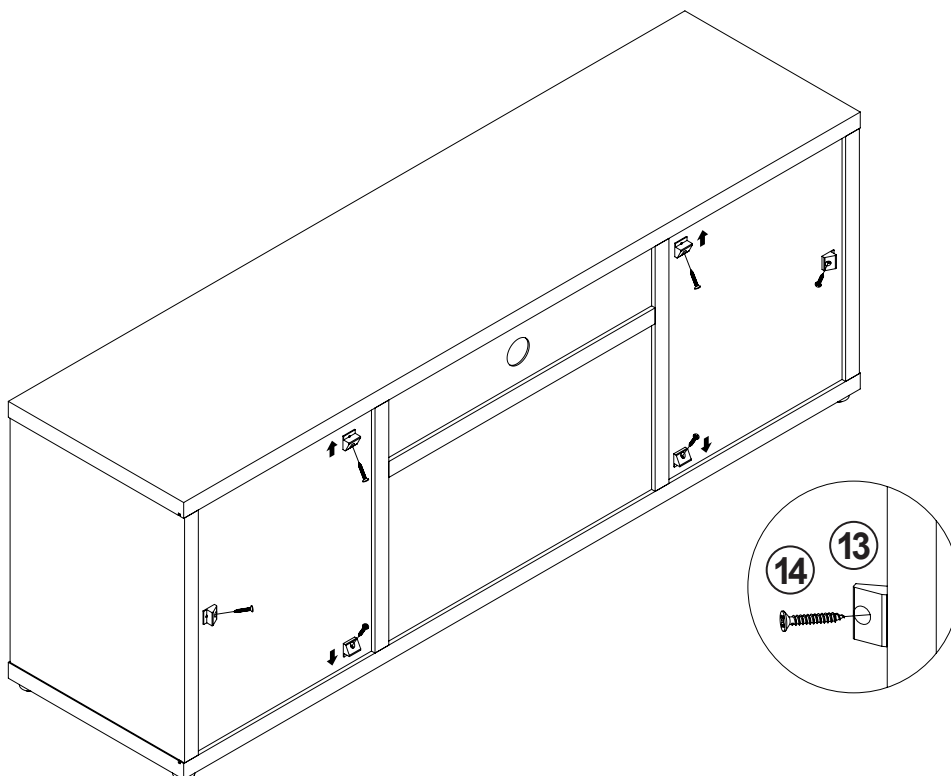
LATERAL BY
SCREW B ADJUSTMENT

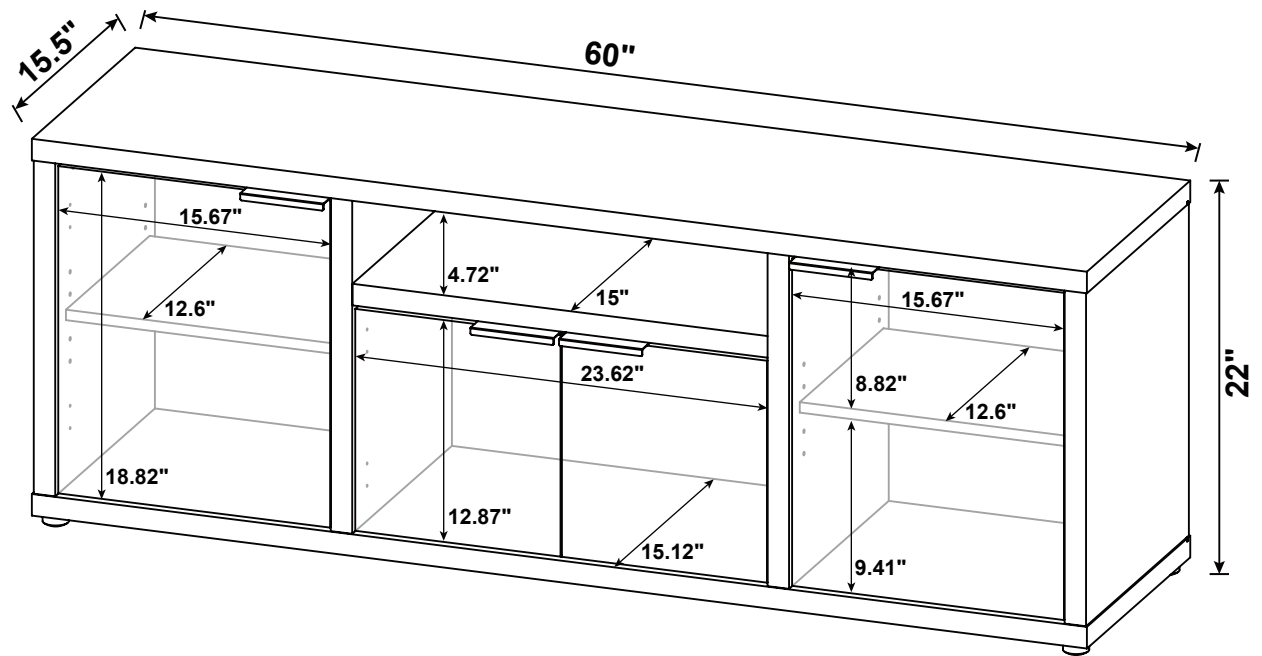


VERTICAL BY
SCREW C ADJUSTMENT



STEP 14





Note : Dimension tolerance $\pm 5\%$