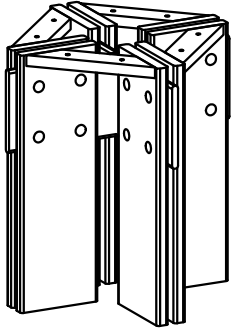
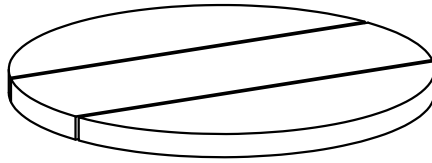


# ASSEMBLY INSTRUCTIONS

## OUTDOOR END TABLE - WOODEN TOP



A= 1 pcs



B= 1 pcs

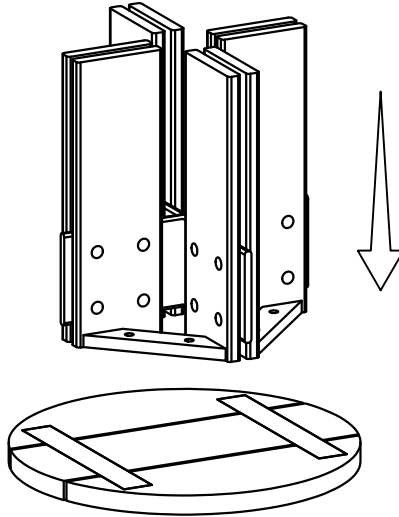


C= ALLEN SPANNER, 1 pcs

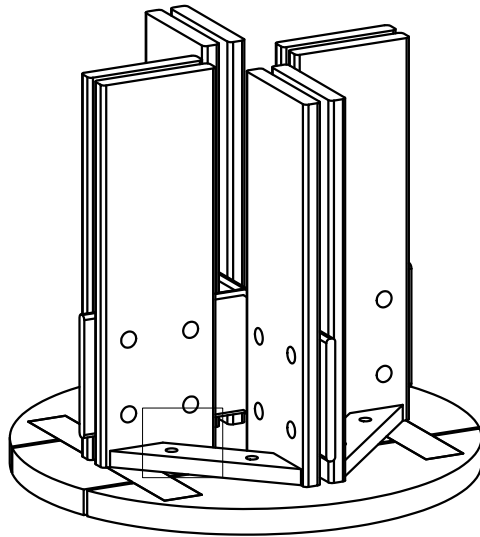
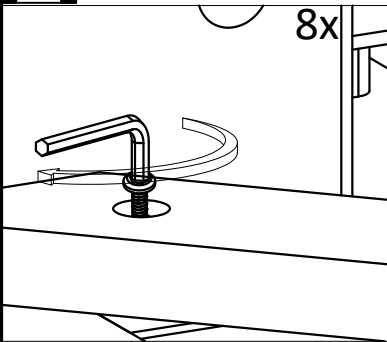


D= JCBC M6x40mm, 8 pcs

**1**



**2**



**3**

