

## Installation Instructions

### —.Installation Process.

- 1.1 Ensure all the power is cut off before the installation,drilling according to the hole of installation structure and the centre distance , and insert the ceiling stopple
- 1.2 Please set the power wires separately to the L and N Pole of the terminal caps and earth wire and then to ensure all the connections are right.
- 1.3 To fix up the lamp by bolt.
- 1.4 Fix up the lamps and lamp shade ,the lamp can be used when you make switch to the position of ON.
- 1.5 If you have no experience for the installing a chandelier or a wall lamp ,we suggest that you hire a professional to install it .

### 二.Warning

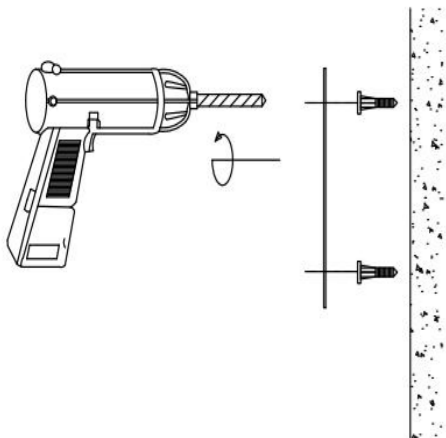
- 2.1 Please cut off the power until the cooling shade ,then to replace the source or to do maintenance, and to ensure a professional electrician to fix up
- 2.2 When you want to install it on gypsum board,please evaluate the weight that the gypsum board can bear do not fix up at falling ceiling. or a chandelier that exceeds weight.

### 三.Product Maintenance

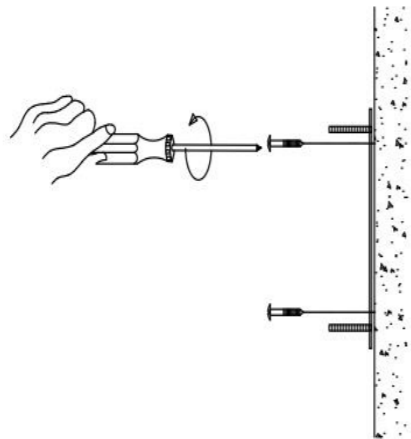
- 3.1 to wear the gloves during the installation process , and to avoid scratching
- 3.2 Maintenance should be performed according to the material of the lamp body.if the fingerprint on the aluminum brushed lamp body, please wipe with Clear Water.



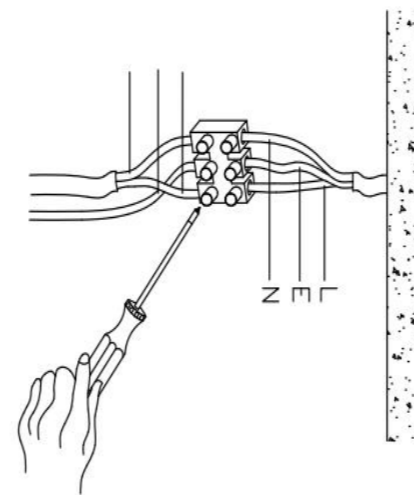
1. Locate, punch, and drill installation holes  
Match and insert colloidal particles



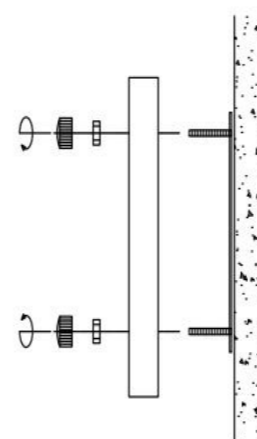
2. Secure the hanging board to the wall



3. Fix the power cord on terminal caps



4. Fix the lamp on plate with bolt



- 1- Fix the light fixture to the ceiling
- 2- Install light source and power test lamp
- 3- insert the leaf locking screws