

# ASSEMBLY INSTRUCTIONS



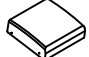

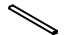
## Important safety instructions:

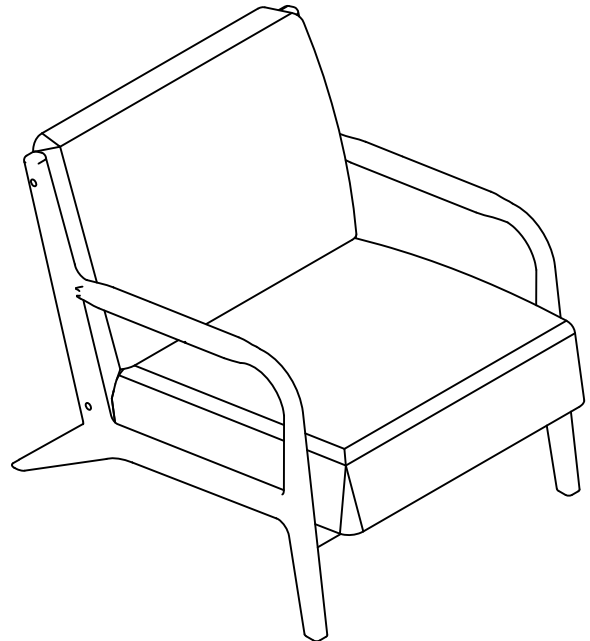
- Please read carefully all instructions before assembly.
- For your safety and ease, assembly by two or more adults is recommended.
- Keep instructions for future use.

## Pre-assembly:








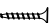
- Do not discard any content until assembly is complete to avoid accidentally discarding small parts or hardware.
- Take out all parts and hardware from box.

## Parts List

Item	Description		QTY
P1	Right Arm		1
P2	Left Arm		1
P3	Seat Cushion		1
P4	Back Cushion		1
P5	Front Stretcher		1



## Hardware List

Item	Description		QTY
H1	Short Bolts	Ø1/4"*2" 	8
H2	Long Bolts	Ø1/4"*2-1/2" 	2
H3	Lock Washers	1/4" 	10
H4	Big flat washers	1/4" (22mm) 	6
H5	Small flat washers	1/4" (12mm) 	4
H6	Allen Wrench	1/4" 	1
H7	Wooden Plugs		4
H8	Screws	8#*1-1/2" 	2

## DISCLAIMER:

WHEN PROPERLY ASSEMBLED, THIS ITEM IS SAFE FOR INTENDED USE. SELLER IS NOT LIABLE FOR ANY DAMAGES RESULTING FROM ITEM BEING IMPROPERLY ASSEMBLED AFTER PURCHASE.

## Assembly Procedures:

Step 1. Assemble the lounge on a flat, soft surface such as a carpet or cloth to prevent scratching the finish. Open the bottom covering, then loosely attach seat cushion (P3) to back cushion (P4) as shown below. Loosely tighten by Allen wrench (H6).

(H2)x2 Long Bolts  $\text{Ø}1/4 \times 2-1/2$ "



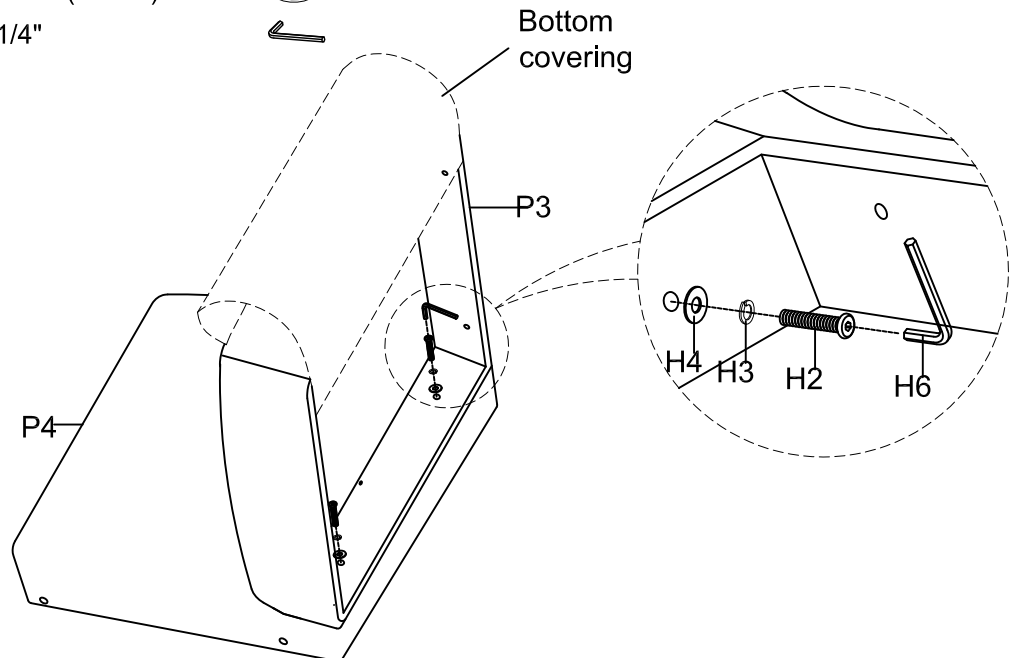
(H3)x2 Lock Washers 1/4"



(H4)x2 Big flat washers 1/4" (22mm)



(H6)x1 Allen Wrench 1/4"



Step 2. Attach left arm (P2) to seat cushion (P3) and back cushion (P4) according to the label "L" on the left arm (P2) and the side of seat cushion (P3) and back cushion (P4). Loosely tighten by Allen wrench (H6) as shown below.

(H1)x4 Short Bolts  $\text{Ø}1/4 \times 2$ "



(H3)x4 Lock Washers 1/4"



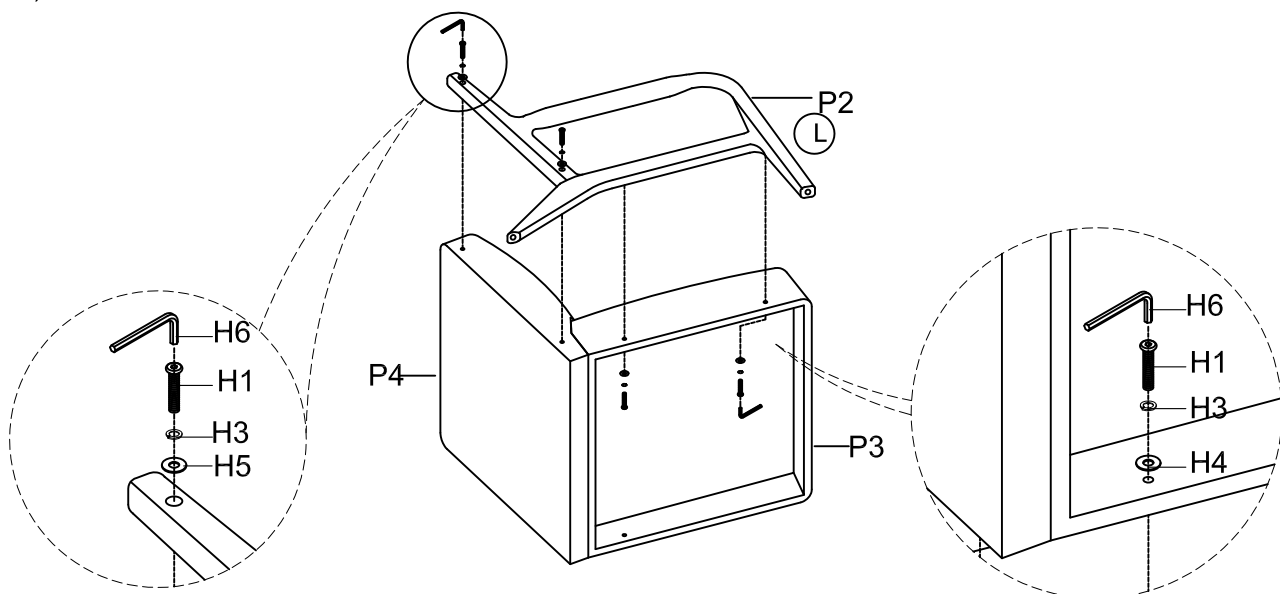
(H4)x2 Big flat washers 1/4" (22mm)



(H5)x2 Small flat washers 1/4" (12mm)



(H6)x1 Allen Wrench 1/4"



Step 3. Insert front stretcher (P5) to left arm (P2) with two located dowels. Attach right arm (P1) to the front stretcher (P5), seat cushion (P3) and back cushion (P4) according to the label "R" on the right arm (P1) and the side of seat cushion (P3) and back cushion (P4). Securely tighten all bolts by Allen wrench (H6).

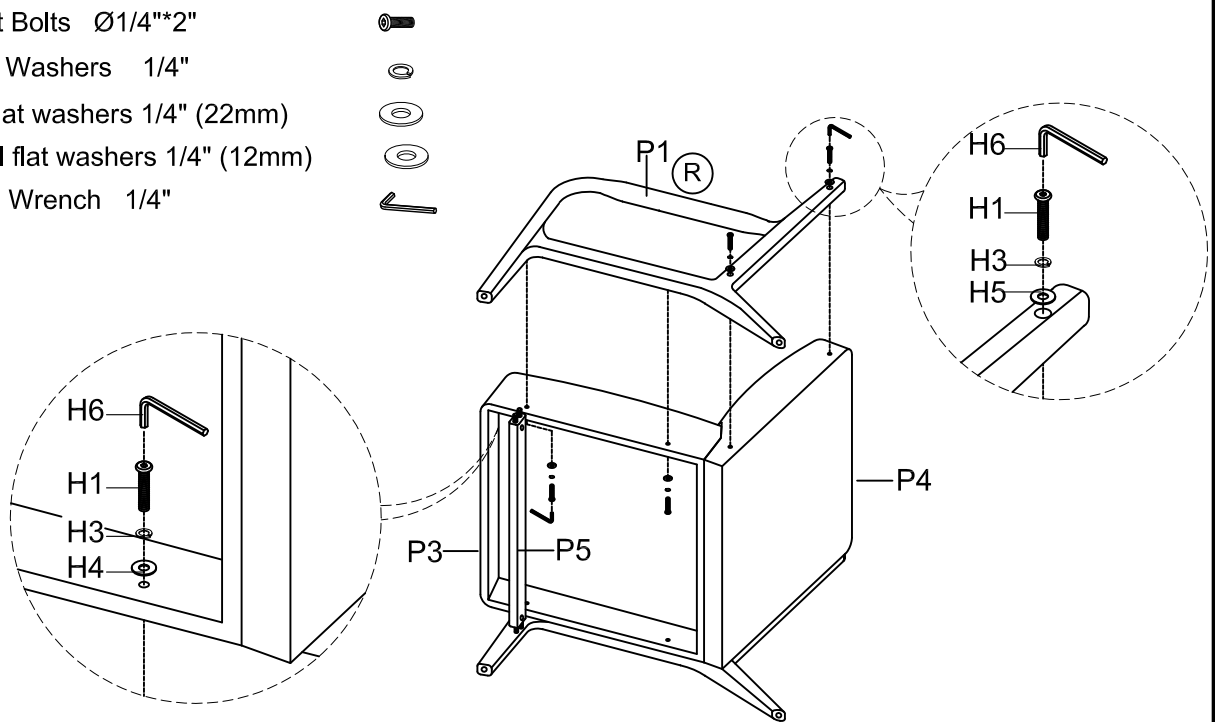
(H1)x4 Short Bolts  $\text{\O}1/4\text{"}\times 2\text{"}$

(H3)x4 Lock Washers 1/4"

(H4)x2 Big flat washers 1/4" (22mm)

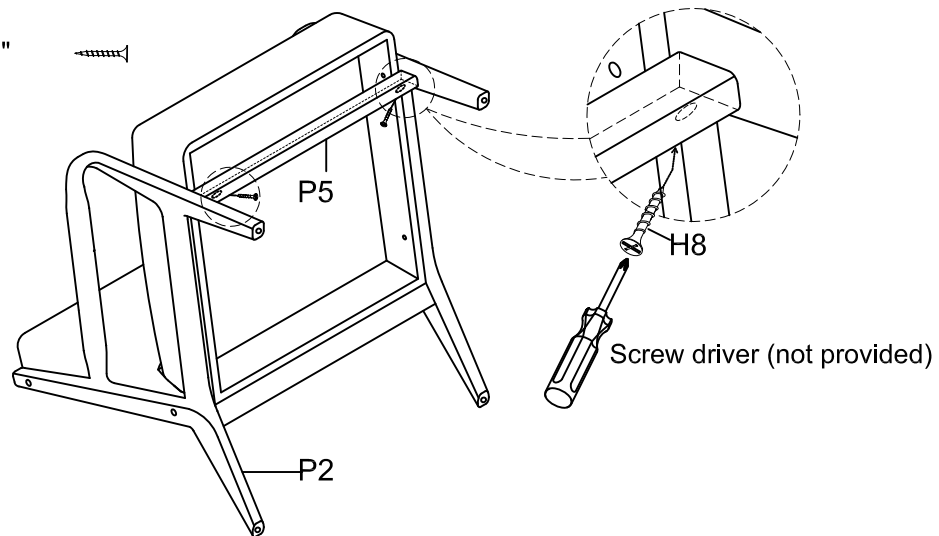
(H5)x2 Small flat washers 1/4" (12mm)

(H6)x1 Allen Wrench 1/4"



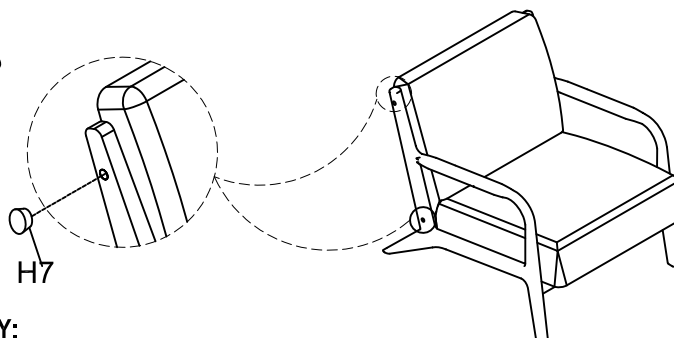
Step 4. Tighten screws (H8) through the front stretcher (P5) to the right arm (P1) and left arm (P2) with screwdriver (not provided).

(H8)x2 Screws 8# $\times$ 1-1/2"



Step 5. Attach wooden plugs (H7) to each bolt hole, tighten with rubber hammer to knock the wooden plug till it tightens. Note: use a soft cloth between the wooden plug and hammer to prevent damage to wooden plug finish. Assembly is complete.

(H7)x4 Wooden Plugs



**ADDITIONAL NOTE ABOUT SAFETY:**

**BOLTS MAY LOOSEN DURING NORMAL EVERYDAY USE.**

**THEY SHOULD BE INSPECTED AT LEAST EVERY 3 MONTHS AND RE-TIGHTENED AS NEEDED TO PREVENT DAMAGE OR INJURY, AND ENSURE STABILITY.**

Thank you for your purchase