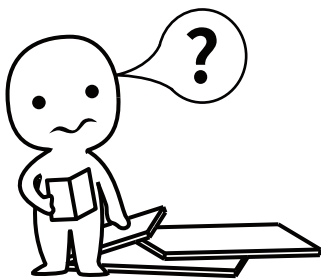


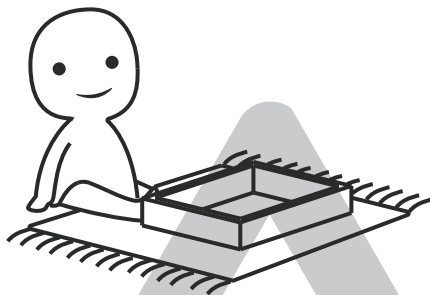
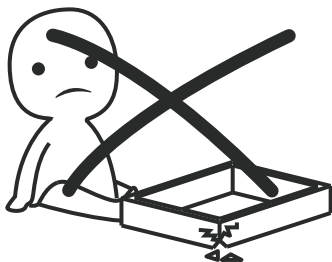
# **INSTALLATION**

*Product Manual*



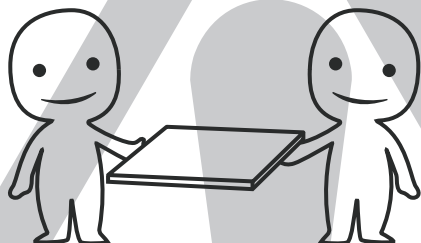
### IMPORTANT INFORMATION!

please read the entire manual before starting to assemble and/or using this product. follow the manual thoroughly and keep it for further reference.



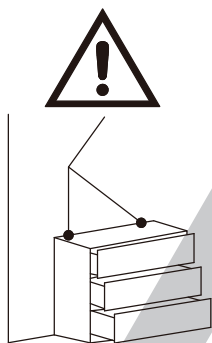
### AVOID SCRATCHES!

In order to avoid scratching this furniture should be assembled on a soft layer- could be a rug.



### IMPROVE EFFICIENCY !

Try to find a partner to install with you, which can speed up the installation efficiency and shorten the time.



### ANTI-TOPPLE WARNING !

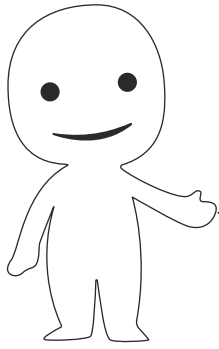
Overturnd furniture can cause serious or fatal crush injuries. To prevent tipping over, be sure to use the wall attachment, if not included with this product. Please purchase the wall attachment that fit your wall. If unsure, seek professional advice. Please read and follow each step of the instructions carefully.

### IMPORTANT !

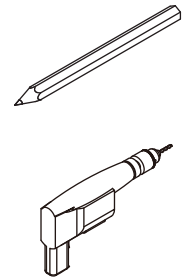
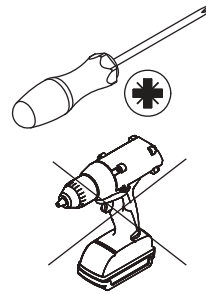
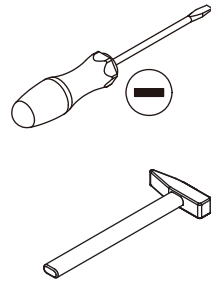
It is important that any product which is assembled using any kind of screw is re-tightened 2 weeks after assembly, and once every 3 months - in order to assure stability through-out the lifespan of the product.

For regular maintenance and cleaning of the product, for the frame, please use a rag dipped in neutral detergent to fully wipe it, and then dry it with a clean rag. For glass materials, wipe with a rag dampened with water glass cleaner, and then dry with a dry rag.

Do not use an electric screwdriver, and do not use too much force when installing, because the board is easy to break.

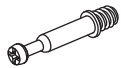


Please prepare the following tools



When installing, please carefully confirm whether each screw corresponds to the manual, accessories with similar shapes can be distinguished by size

A x 90



Ø 6 x 35mm

B x 90



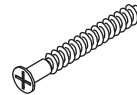
Ø 15 x 10mm

C x 92



Ø 6 x 30mm

D x 30



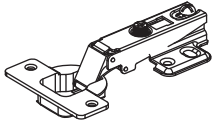
Ø 5 x 40mm

E x 132



Ø 4 x 12mm

F x 22



G x 26

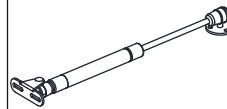


Ø 3 x 12mm

H x 2



J x 2



K x 8



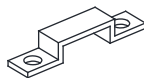
Ø 6 x 50mm

L x 48



Ø 3.5 x 12mm

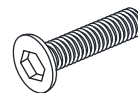
M x 24



N x 4

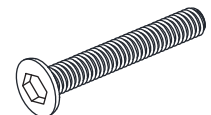


P x 16



M6 x 25mm

Q x 5



M6 x 40mm

R x 8



Ø 4 x 14mm

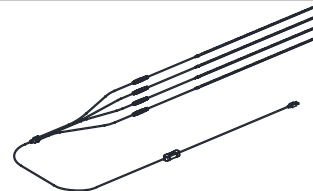
S x 4



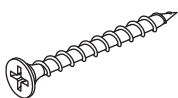
T x 4



U x 2

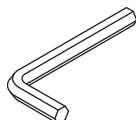


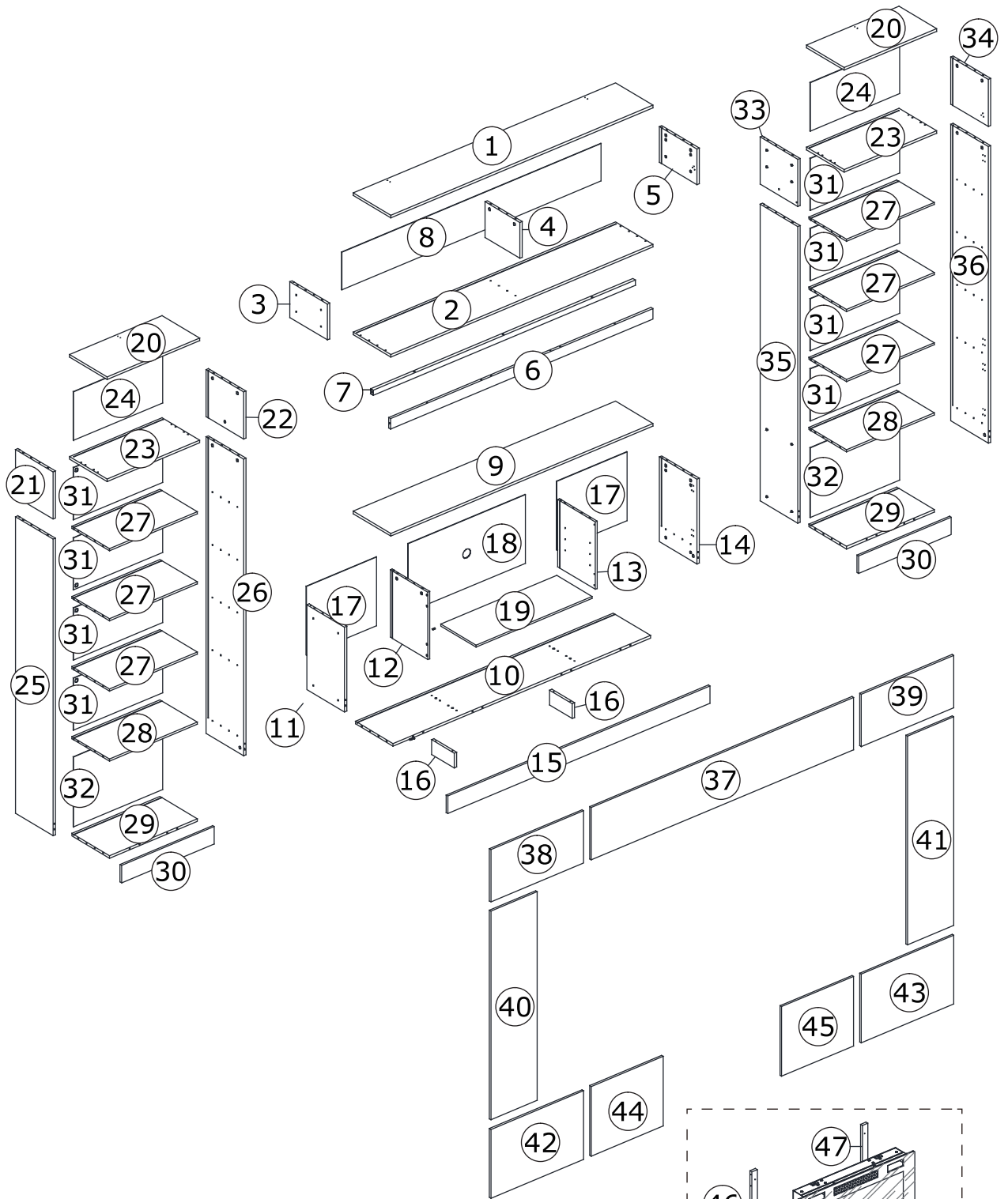
V x 8



Ø 4 x 40mm

W x 1





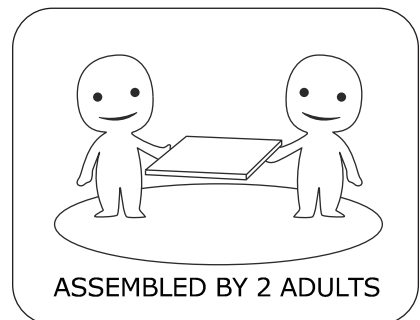
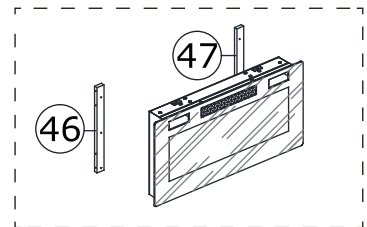
## ⚠ WARNING



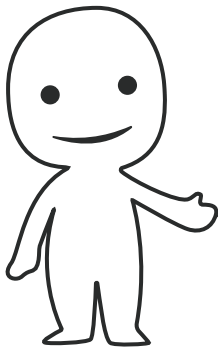
Children have died from furniture tipover. To reduce the risk of furniture tipover:

- ALWAYS install tipover restraint provided.
- NEVER put a TV on this product.
- NEVER allow children to stand, climb or hang on drawers, doors, or shelves.
- NEVER open more than one drawer at a time.
- Place heaviest items in the lowest drawers.

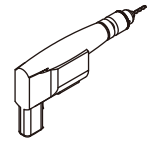
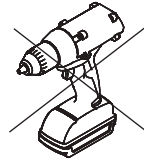
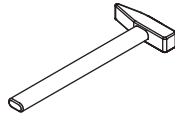
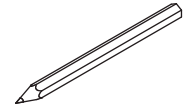
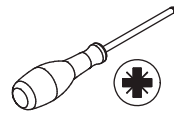
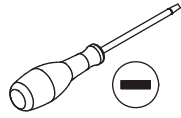
*This is a permanent label.  
Do not remove!*



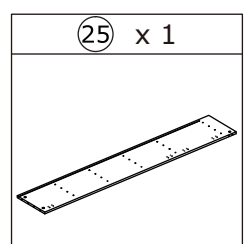
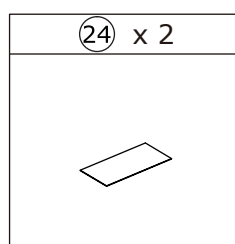
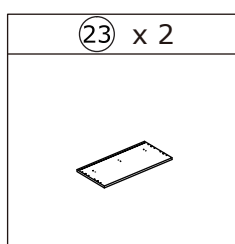
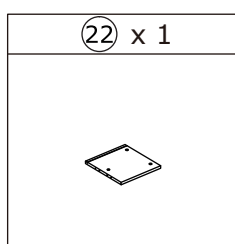
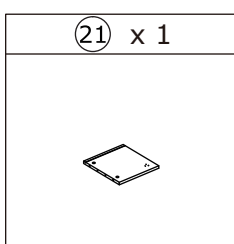
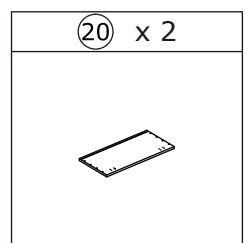
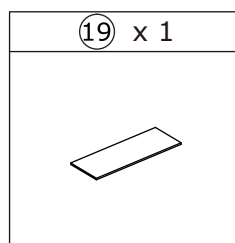
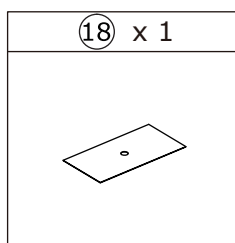
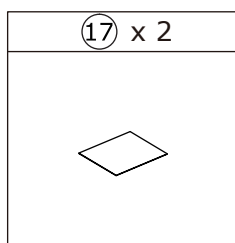
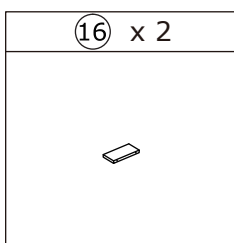
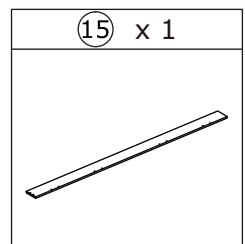
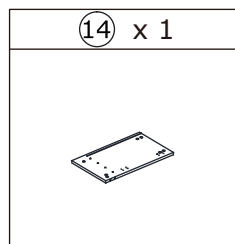
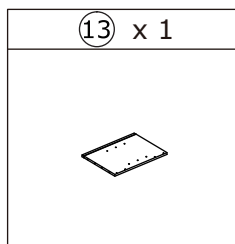
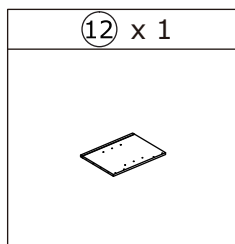
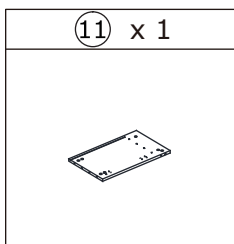
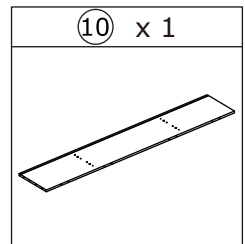
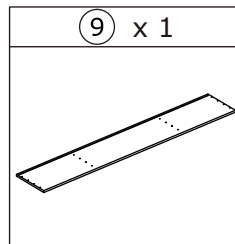
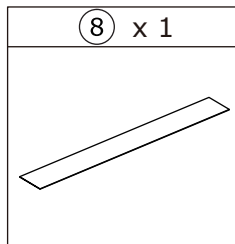
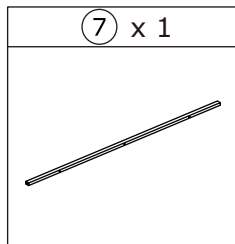
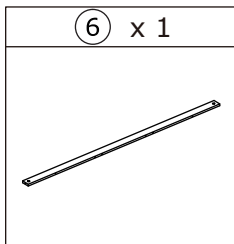
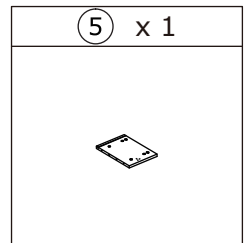
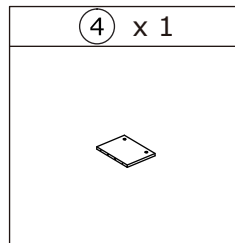
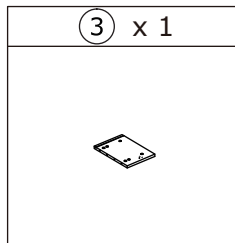
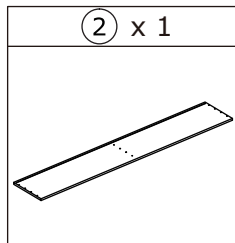
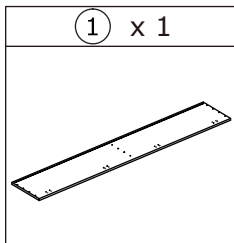
ASSEMBLED BY 2 ADULTS

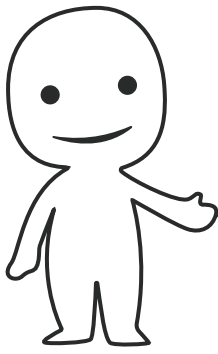


Please prepare the following tools

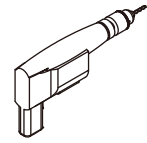
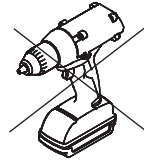
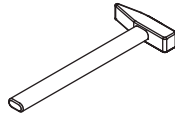
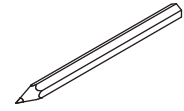
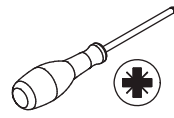
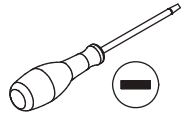


When installing, please carefully confirm whether each screw corresponds to the manual, accessories with similar shapes can be distinguished by size

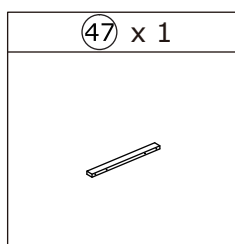
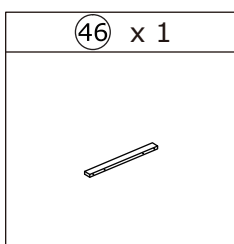
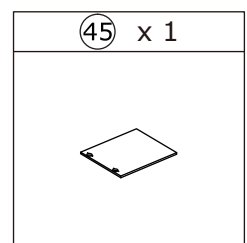
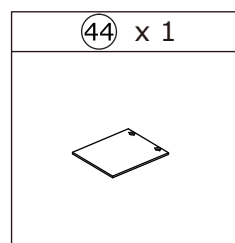
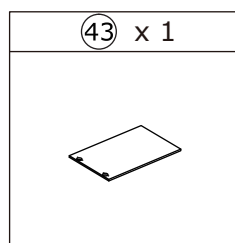
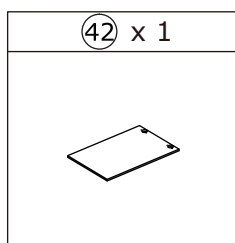
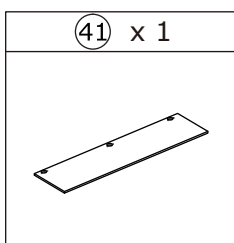
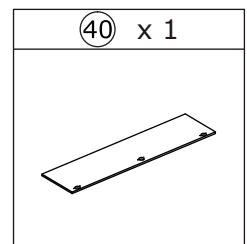
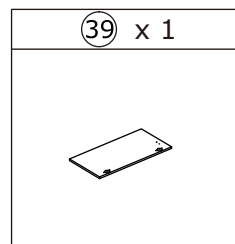
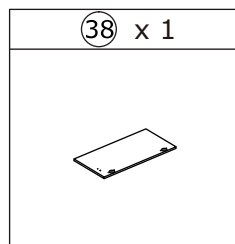
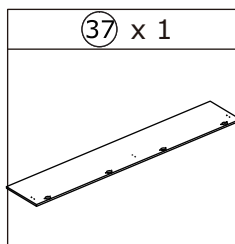
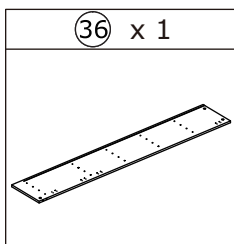
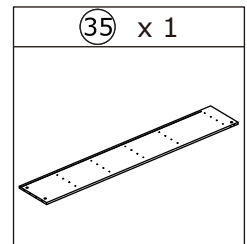
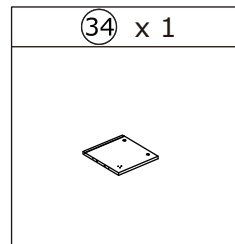
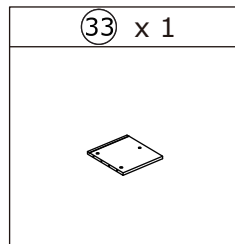
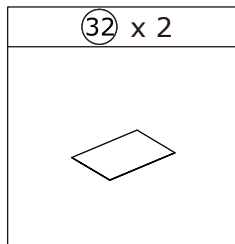
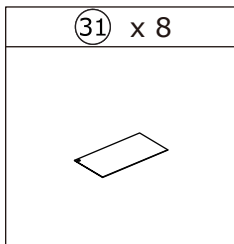
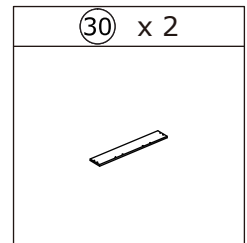
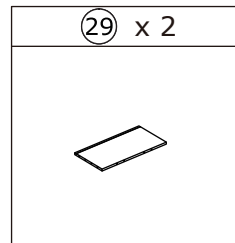
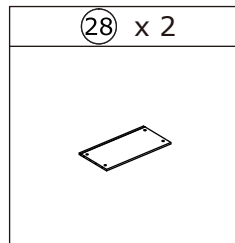
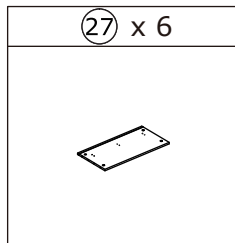
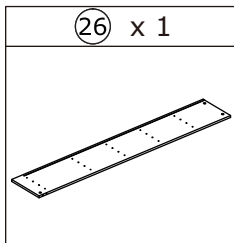




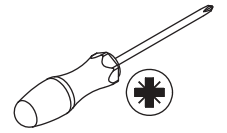
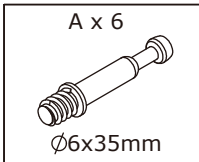
Please prepare the following tools



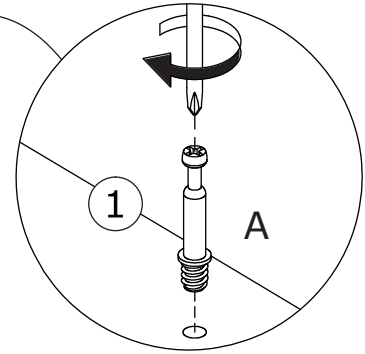
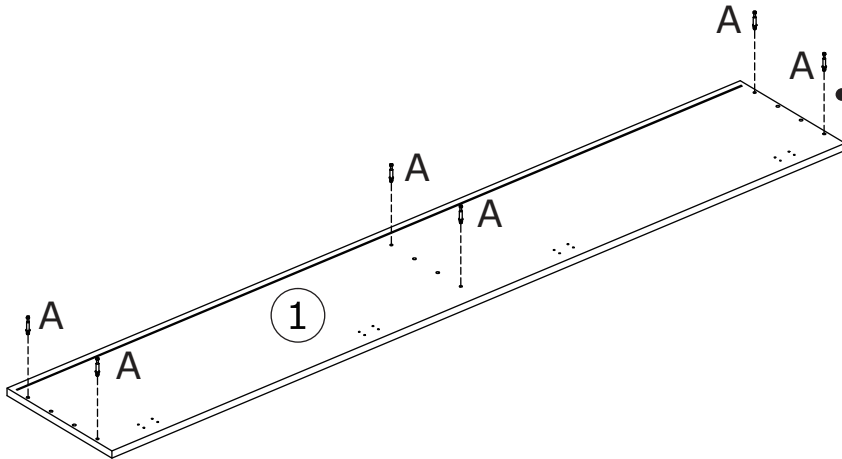
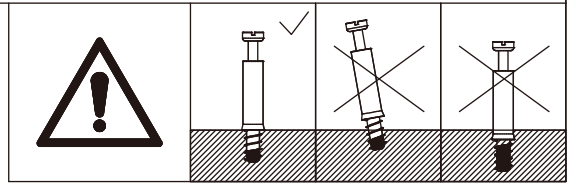
When installing, please carefully confirm whether each screw corresponds to the manual, accessories with similar shapes can be distinguished by size



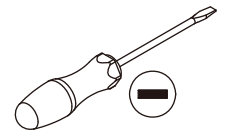
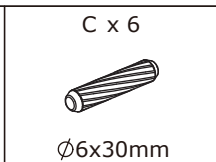
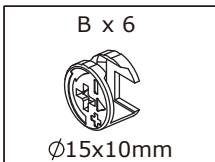
1



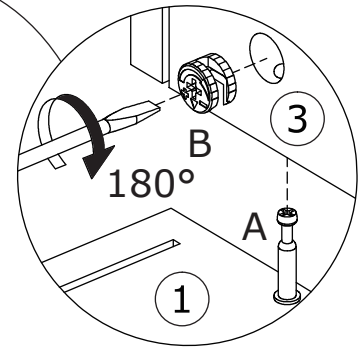
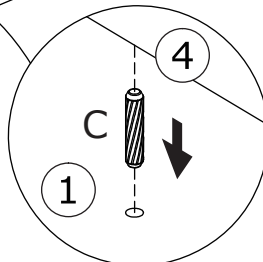
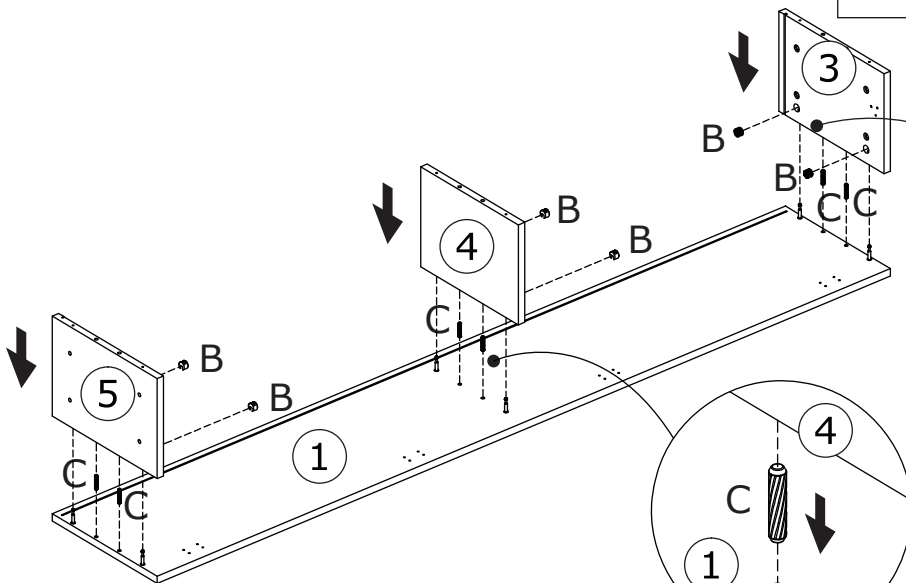
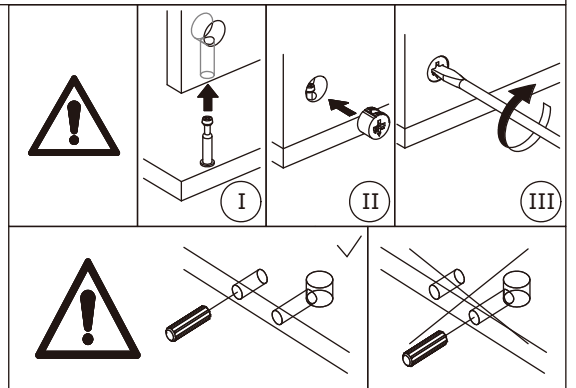
Screw eccentric rod(A) into board 1 with a screwdriver as shown.



2

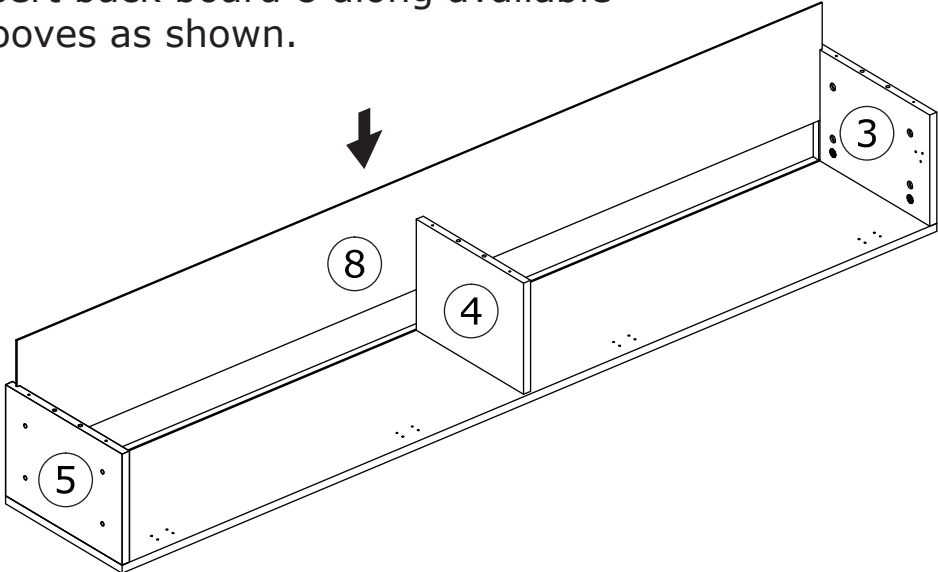


Attach board 1 to board 3, 4 and 5 using wooden dowel(C), add cam lock(B) into board 3,4,5 and turn clockwise to tighten as shown.



3

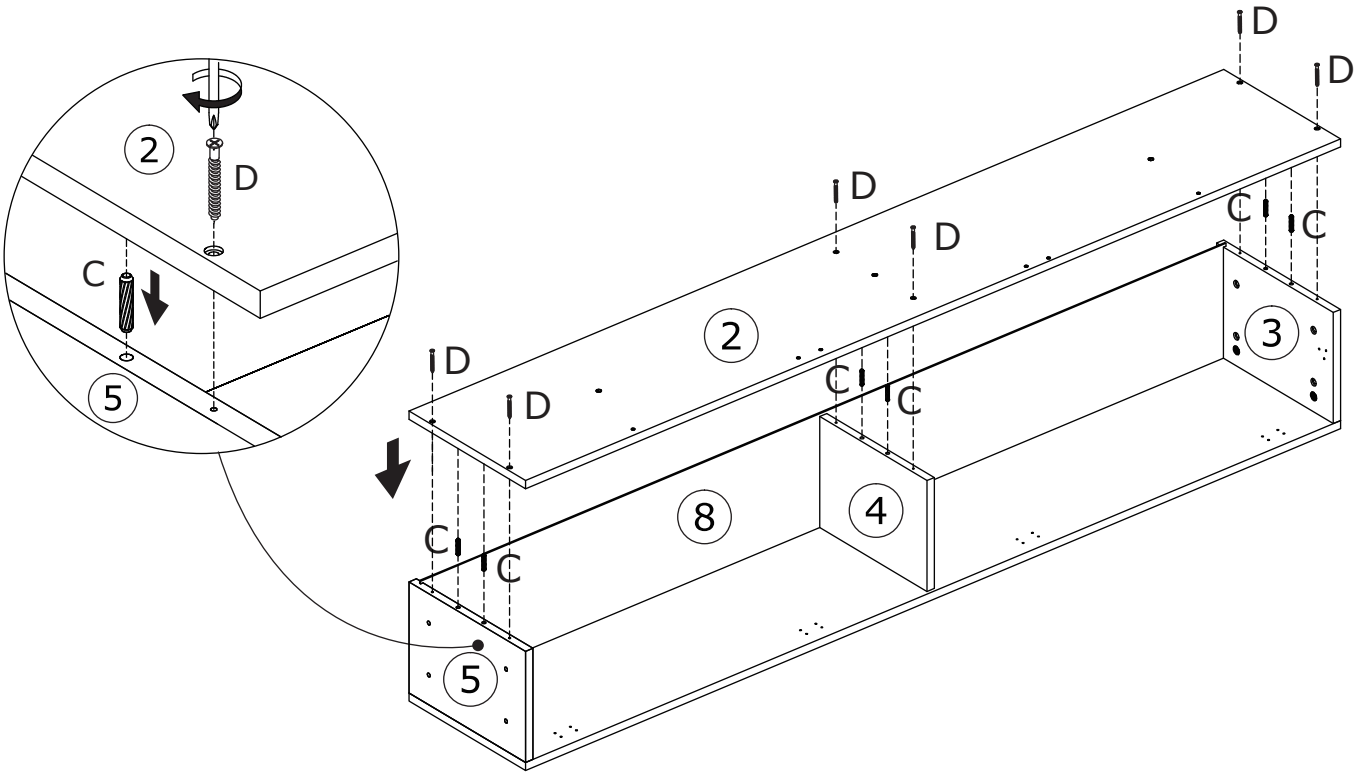
Insert back board 8 along available grooves as shown.



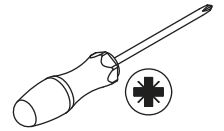
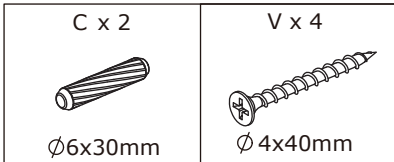
4



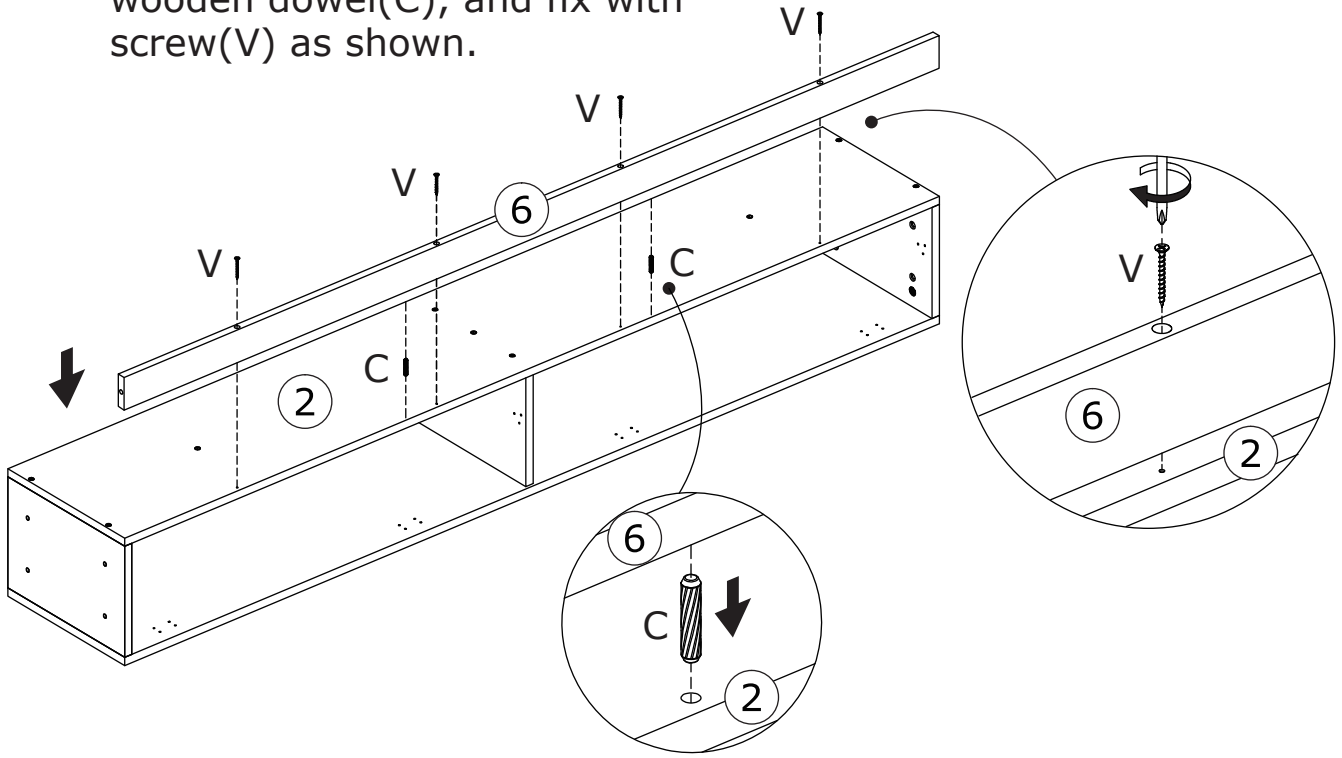
Fix board 2 to board 3, 4 and 5 with screw(D) as shown.



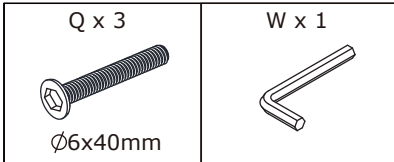
5



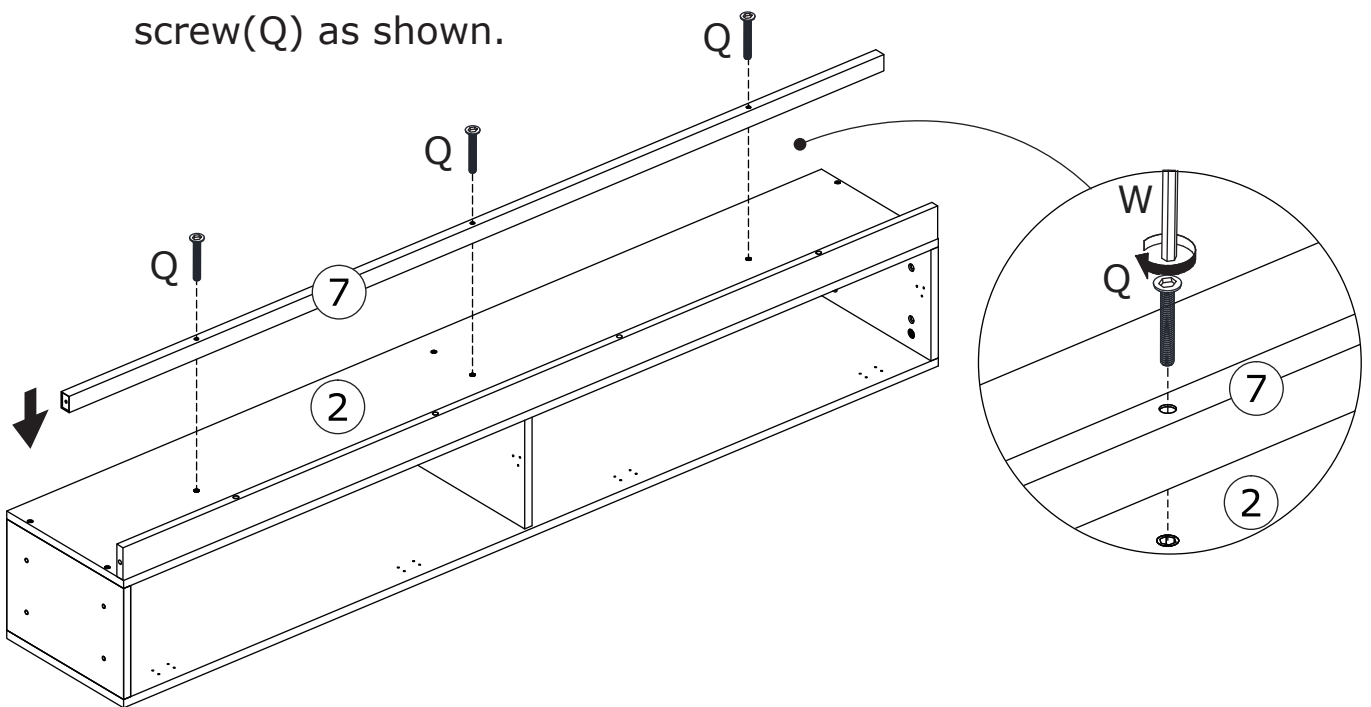
Attach board 6 to board 2 using wooden dowel(C), and fix with screw(V) as shown.



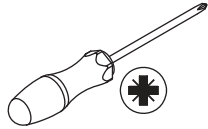
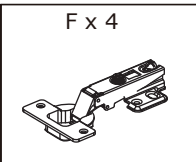
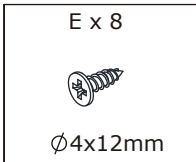
6



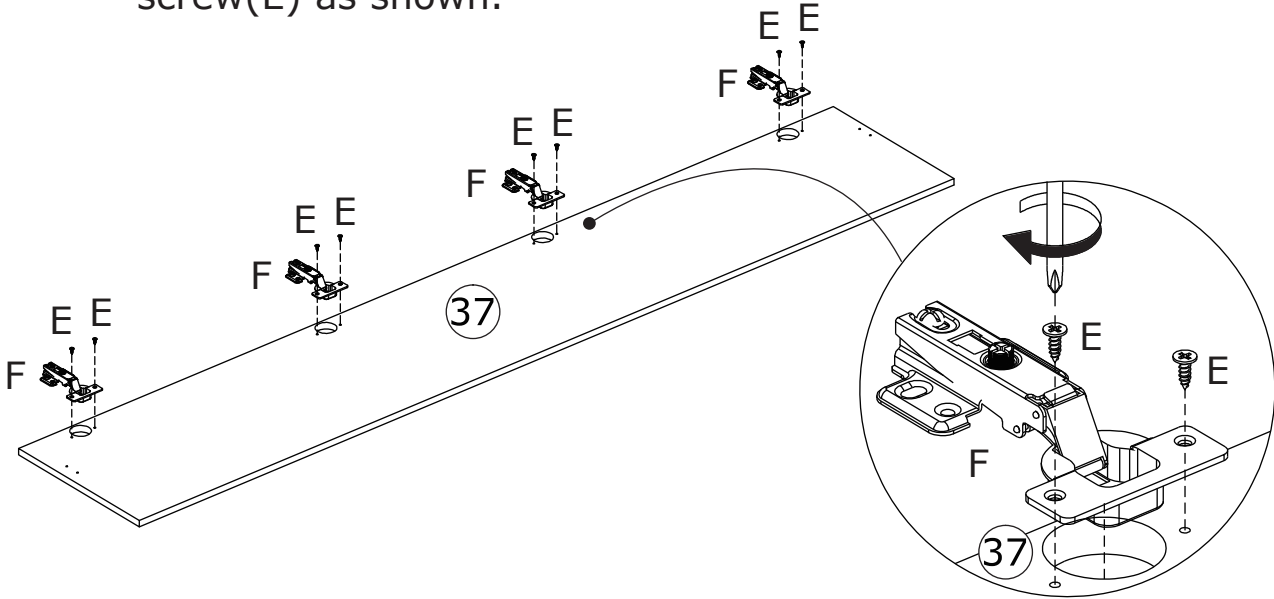
Fix steel tube 7 to board 2 with screw(Q) as shown.



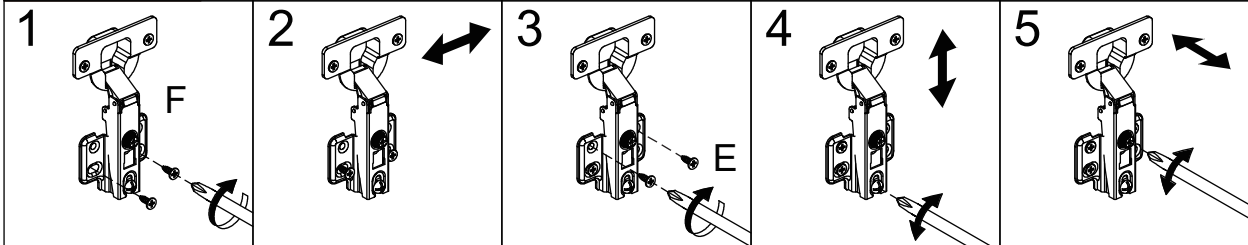
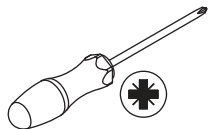
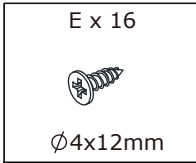
7



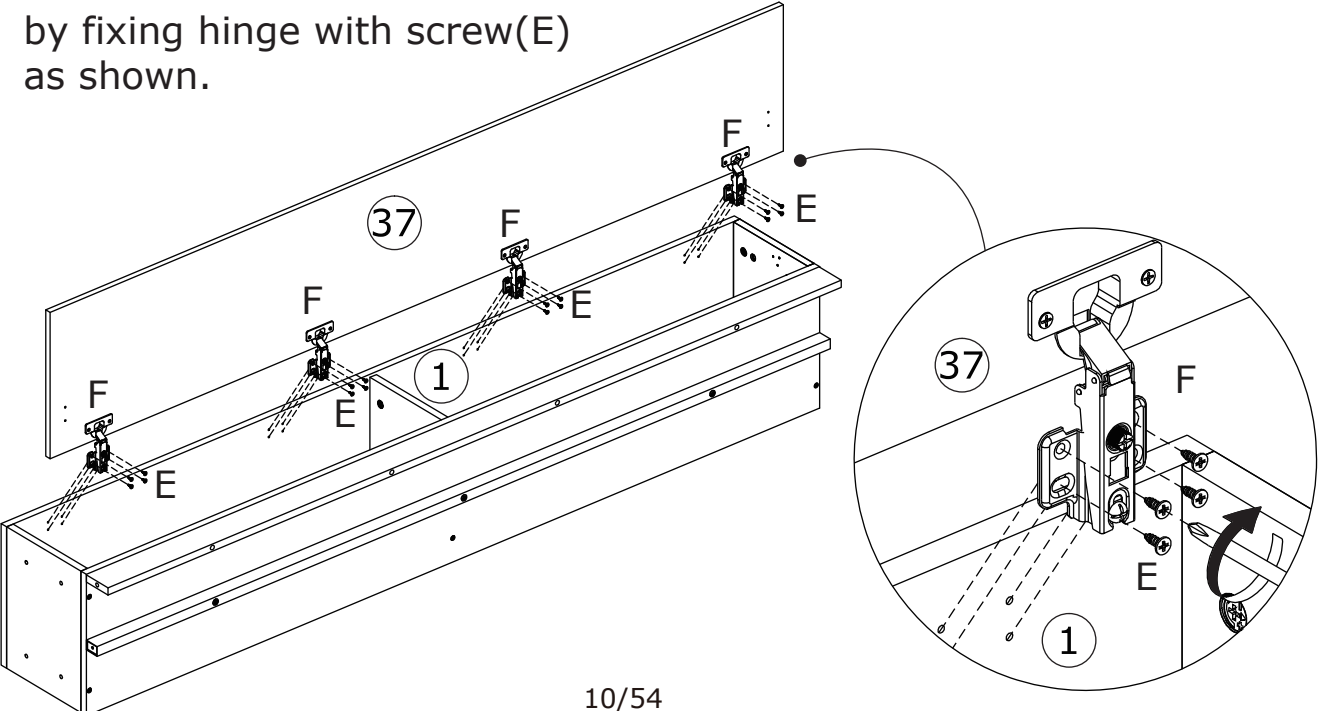
Fix hinge(F) to board 37 with screw(E) as shown.



8



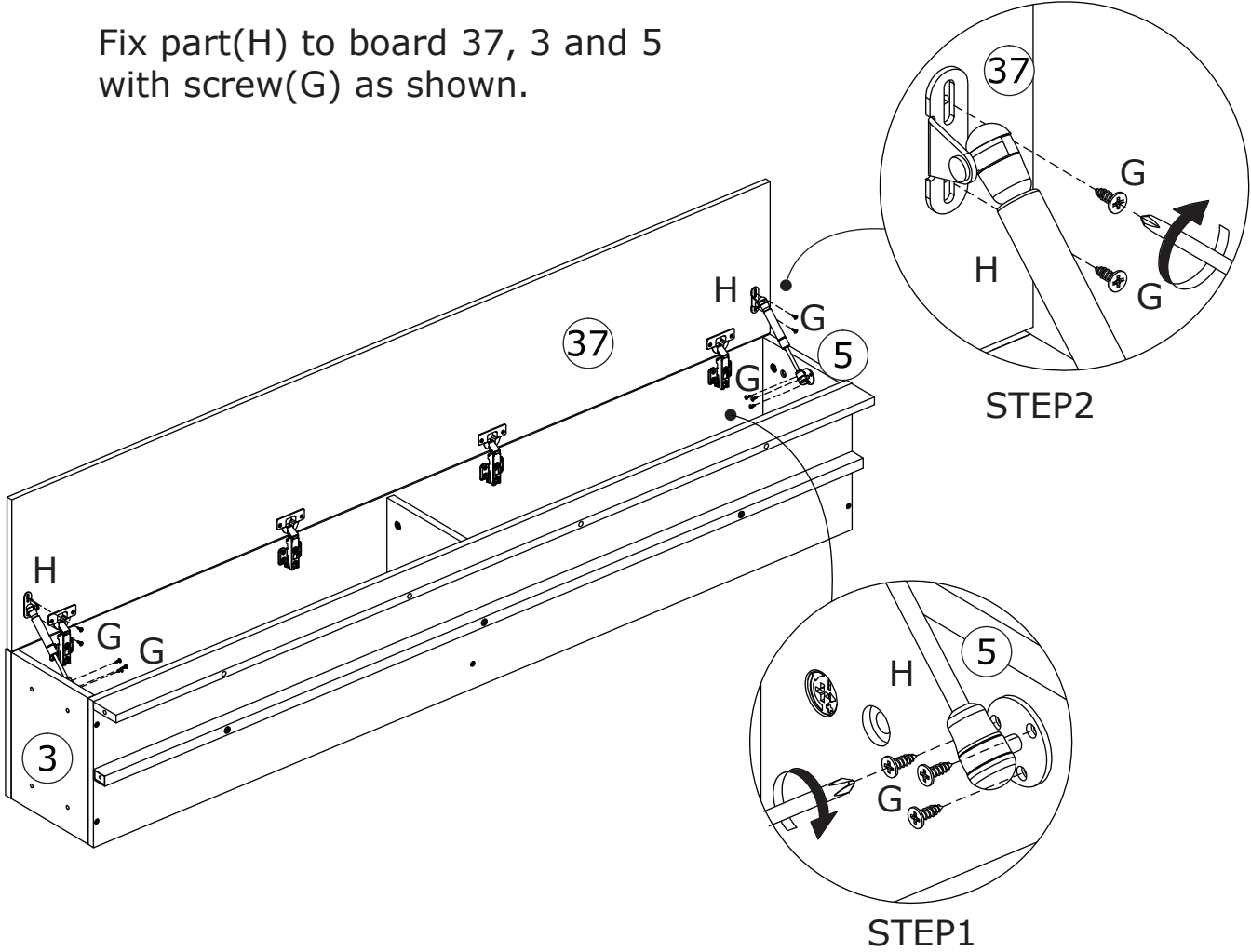
Assemble door 37 to board 1 by fixing hinge with screw(E) as shown.



9



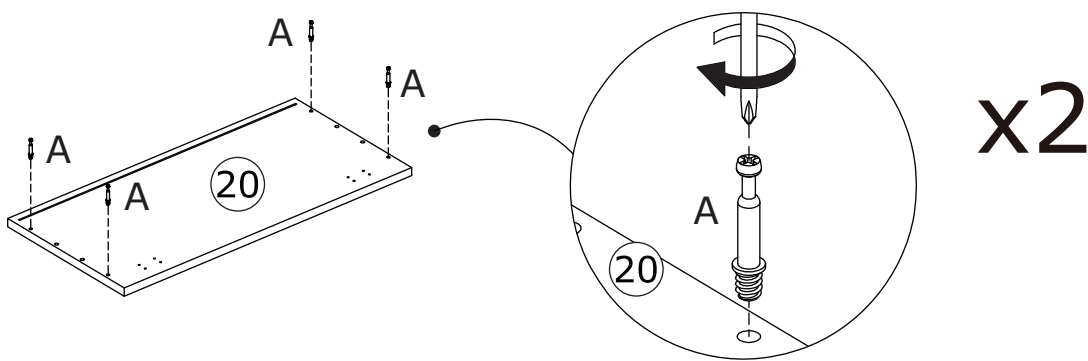
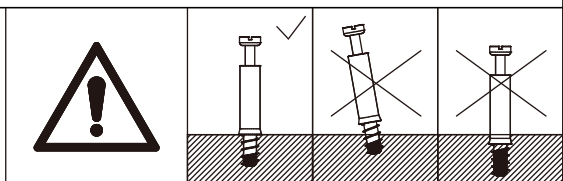
Fix part(H) to board 37, 3 and 5 with screw(G) as shown.



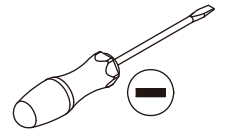
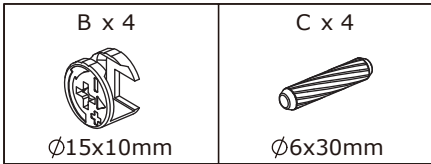
10



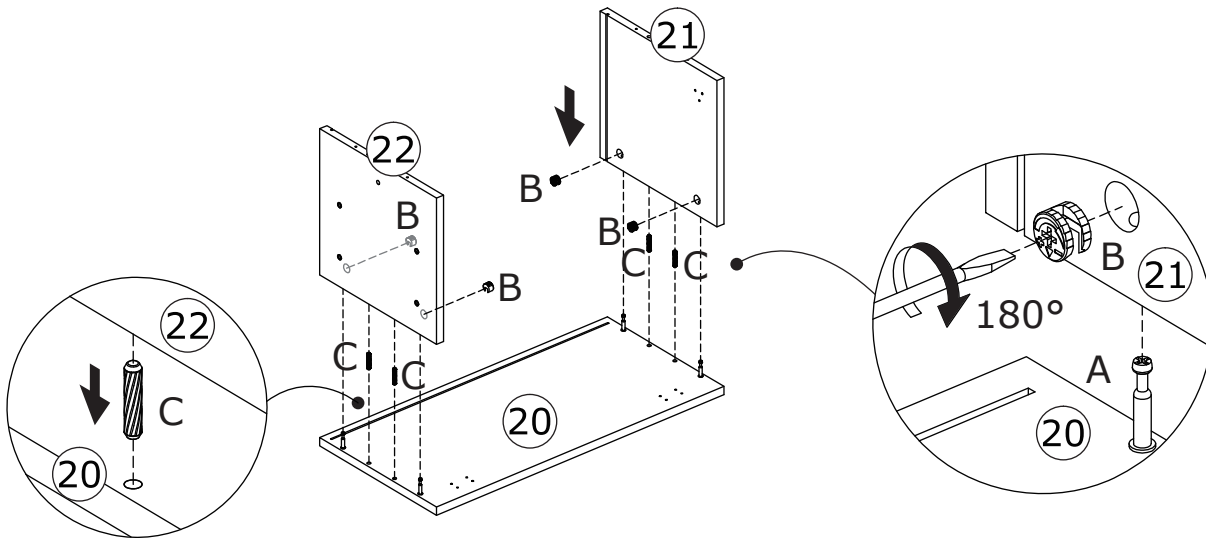
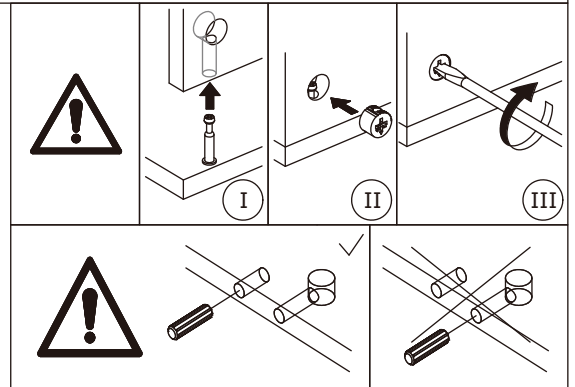
Screw eccentric rod(A) into board 20 as shown.



# 11

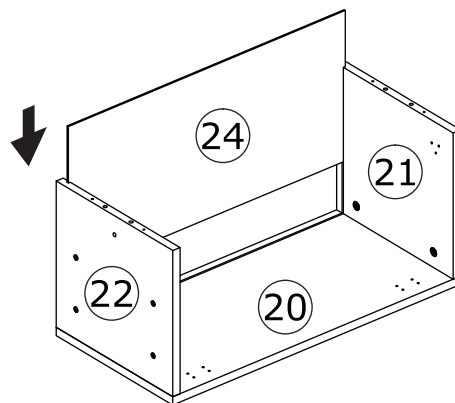


Attach board 20 to board 21 and 22 using wooden dowel(C), add cam lock(B) into board 21,22 and turn clockwise to tighten as shown.

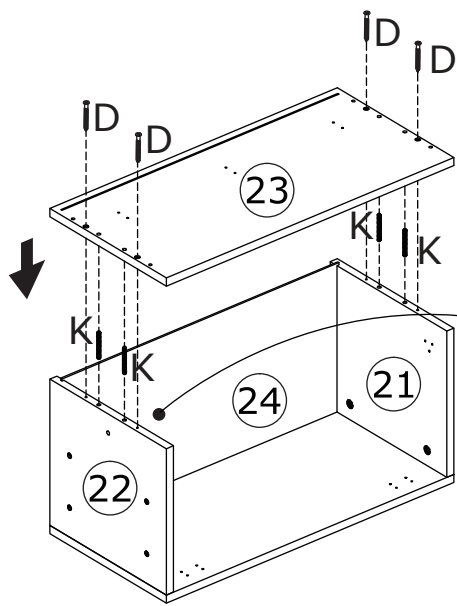
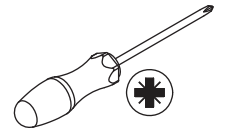
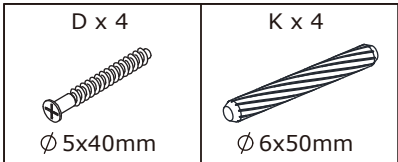


# 12

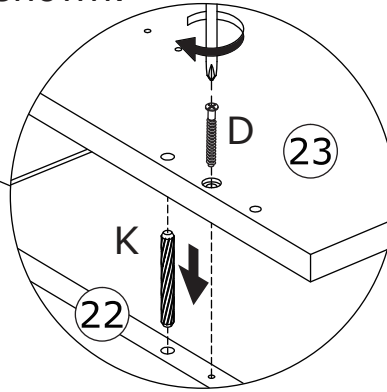
Insert back board 24 along available grooves as shown.



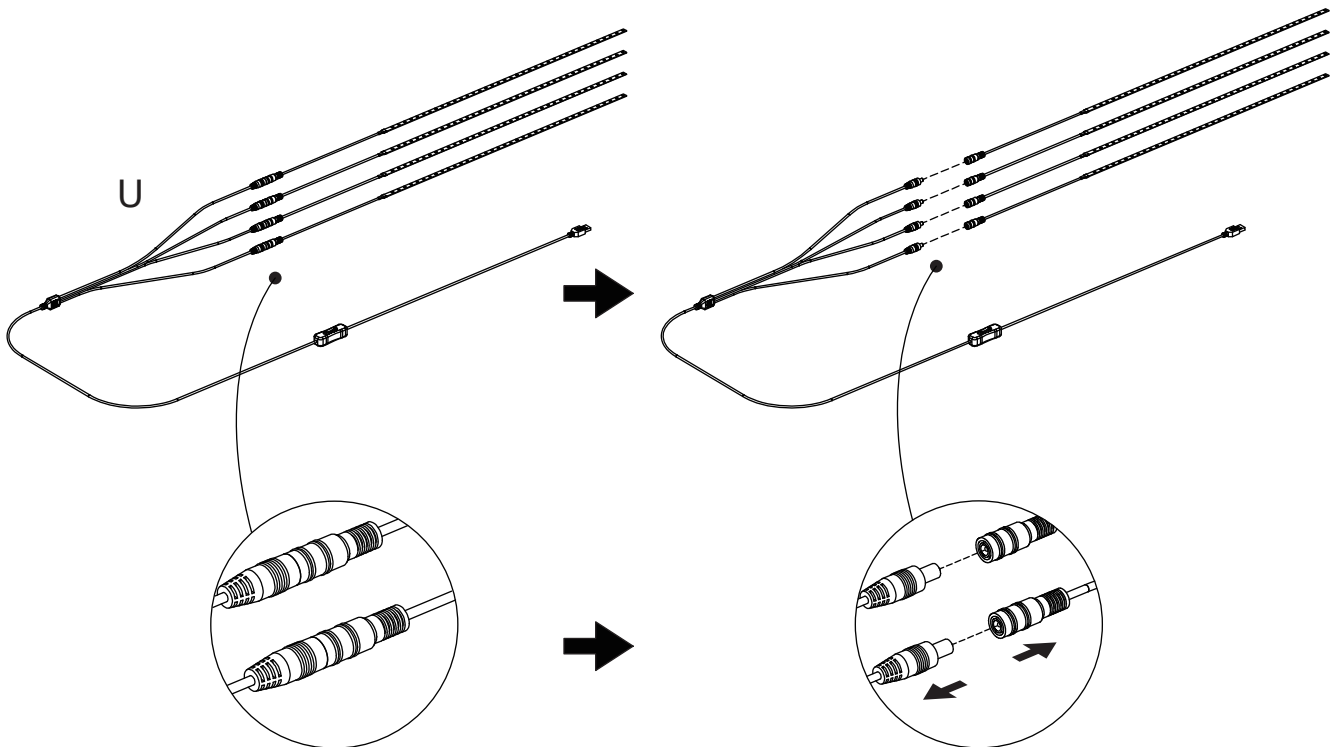
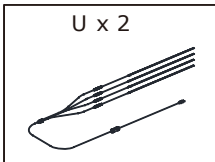
13



Attach board 23 to board 21 and 22 using LONG wooden dowel(K), and fix with screw(D) as shown.



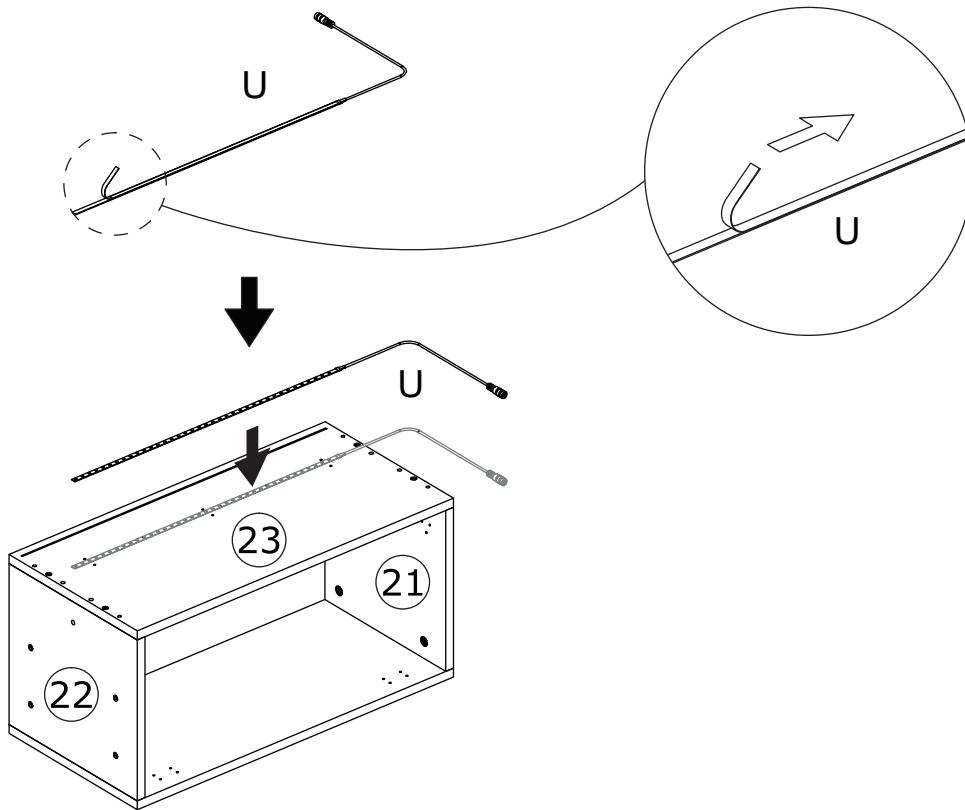
14



15



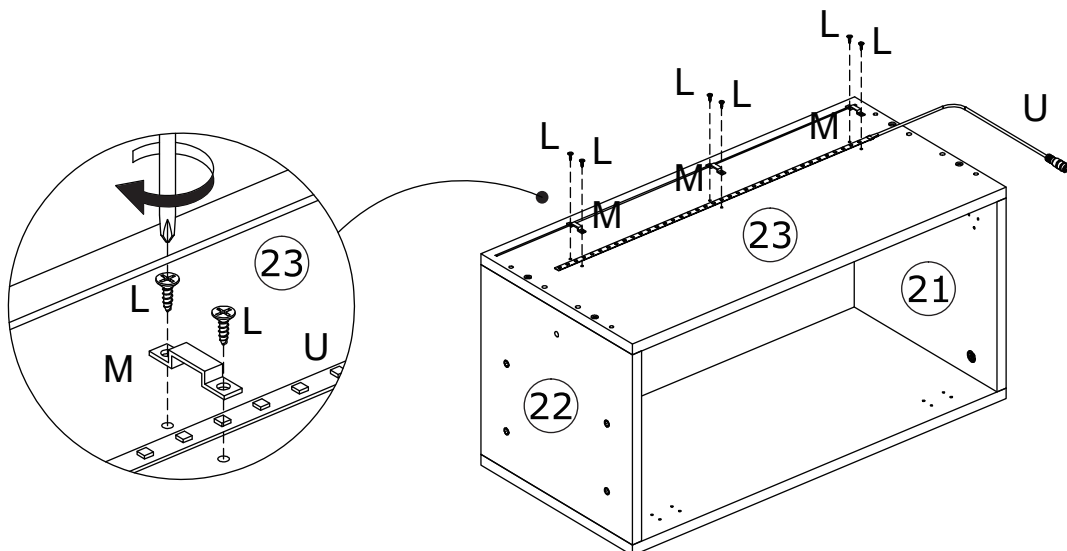
Rip off the tape and stick light strip(U) to board 23 as shown.



16



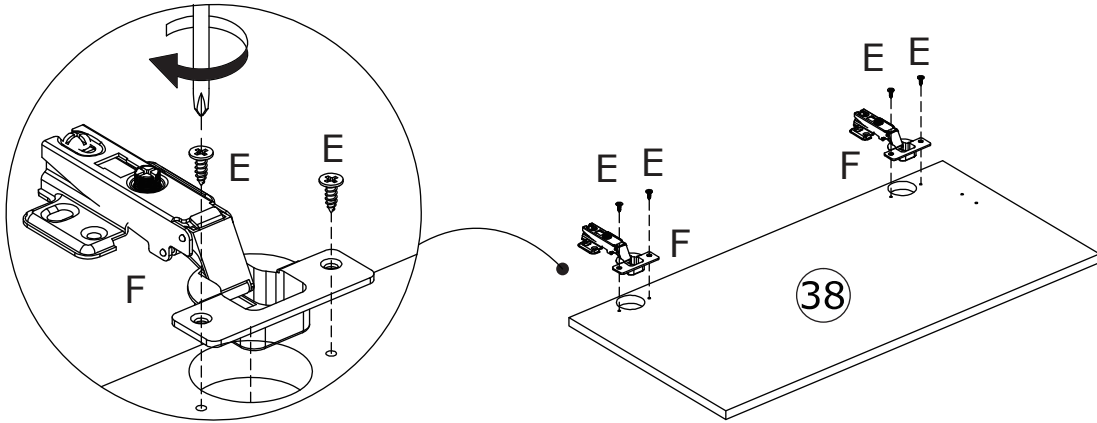
Fix light strip(U) to board 23 through buckle(M) and screw(L) as shown.



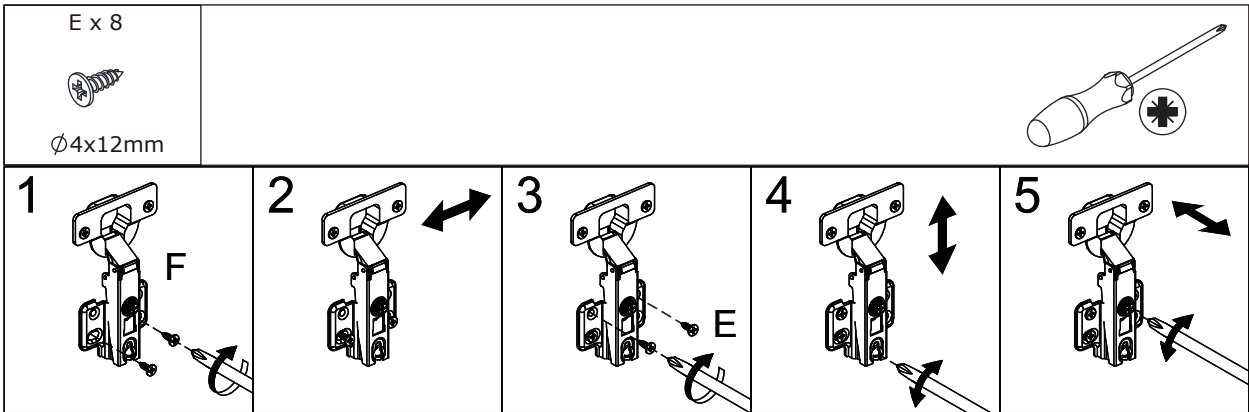
17



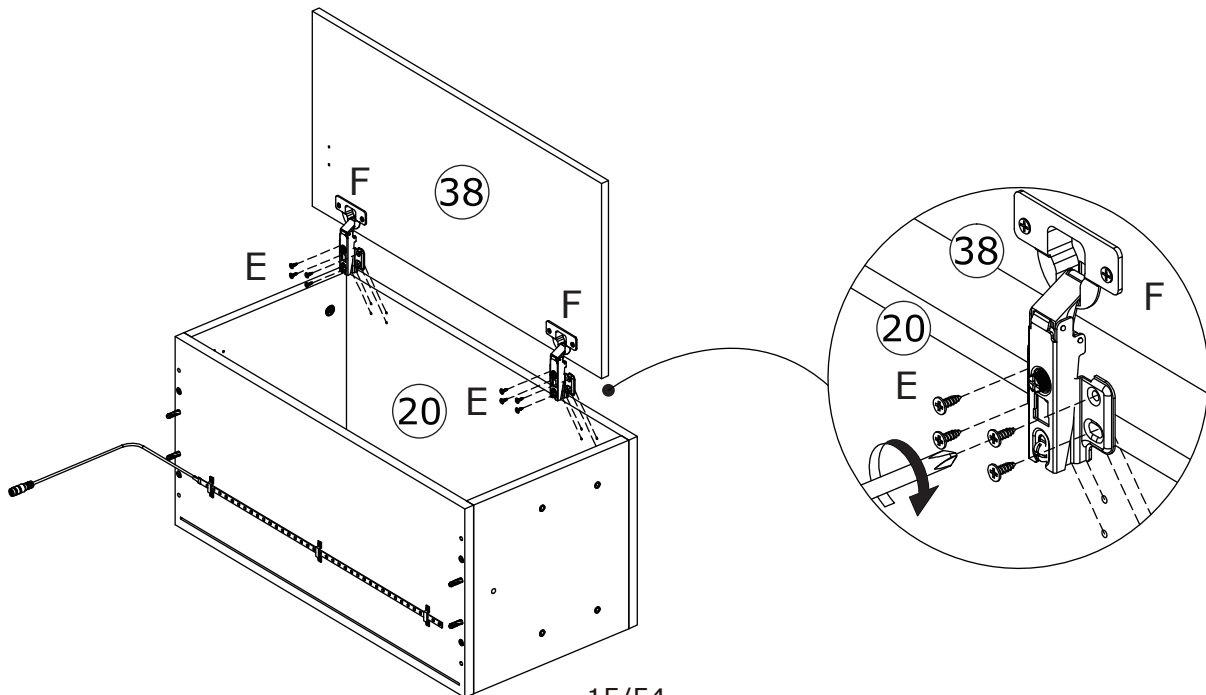
Fix hinge(F) to board 38 with screw(E) as shown.



18



Assemble door 38 to board 20 by fixing hinge with screw(E) as shown.

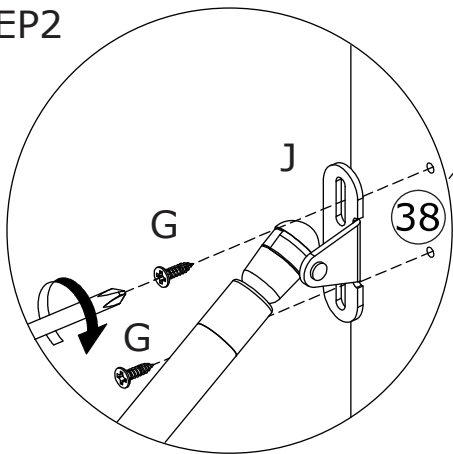


19

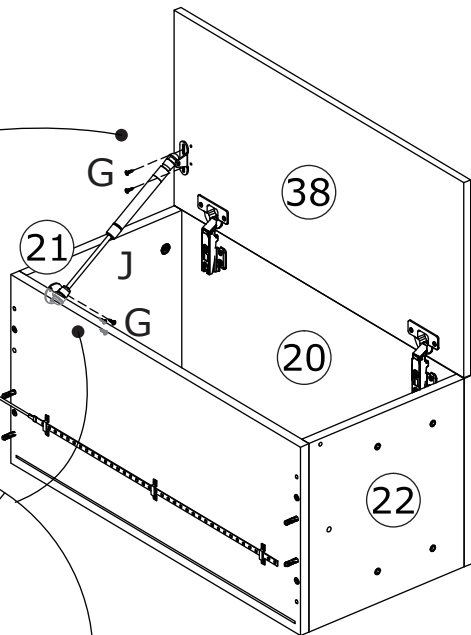
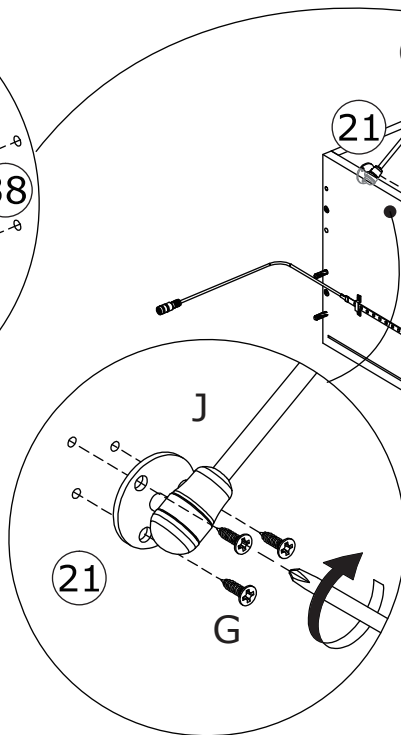


Fix part(J) to board 38 and 21 with screw(G) as shown.

STEP2



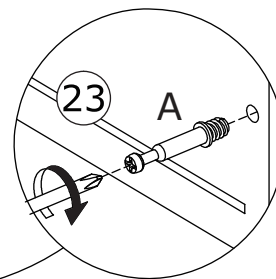
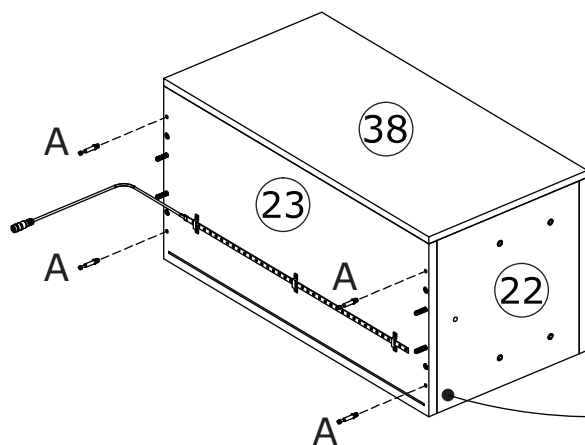
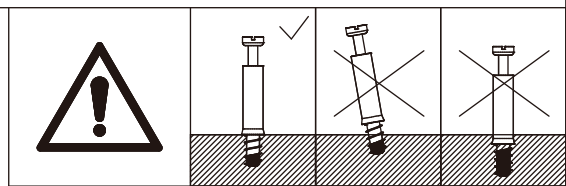
STEP1



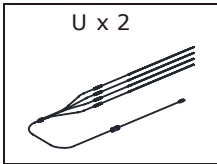
20



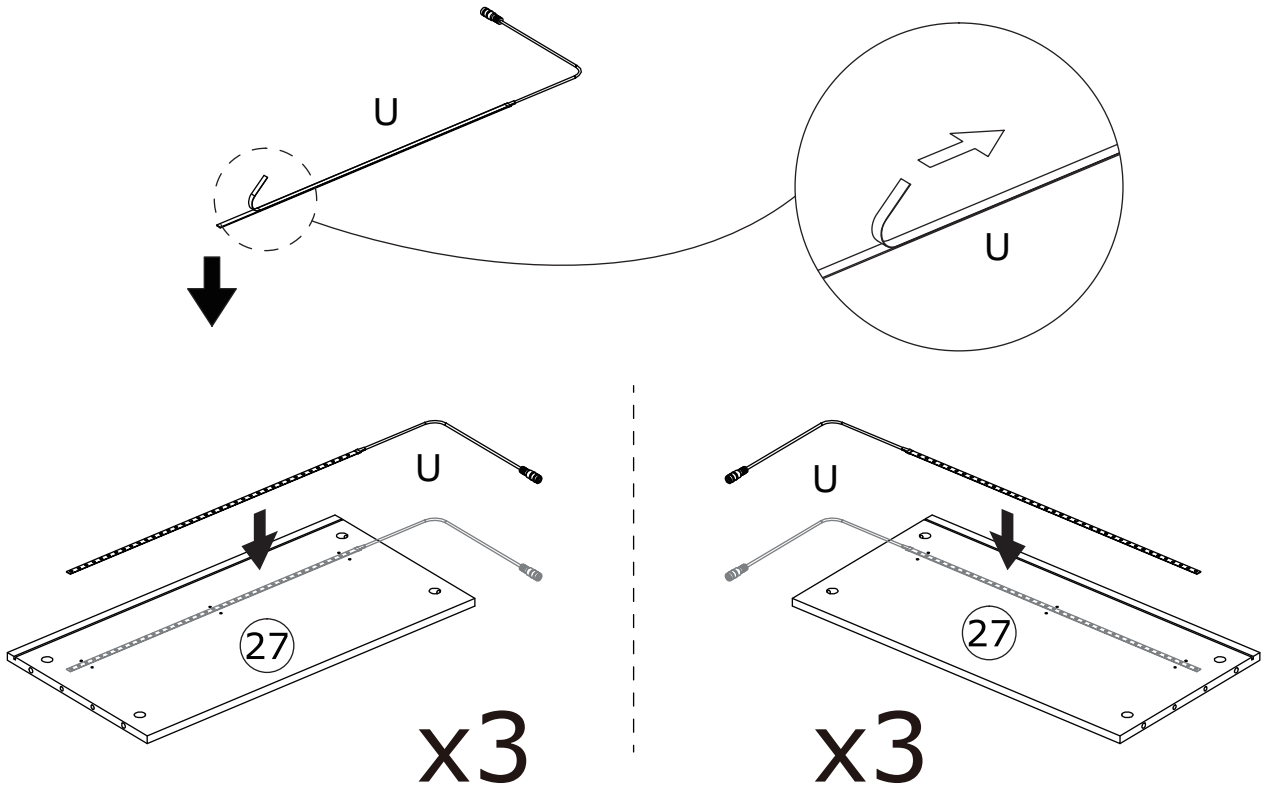
Screw eccentric rod(A) into board 23 as shown.



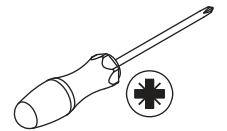
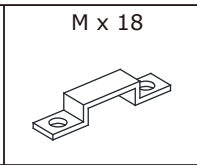
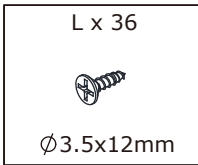
21



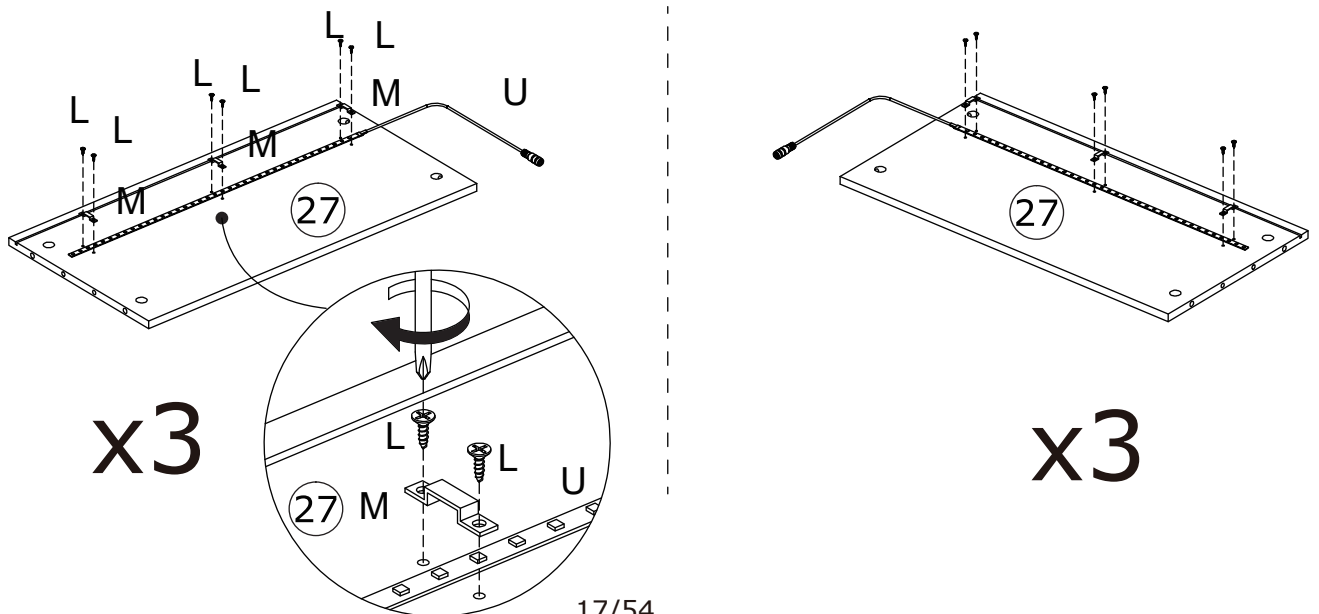
Rip off the tape and stick light strip(U) to board 27 as shown.



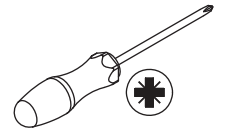
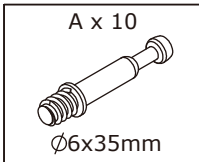
22



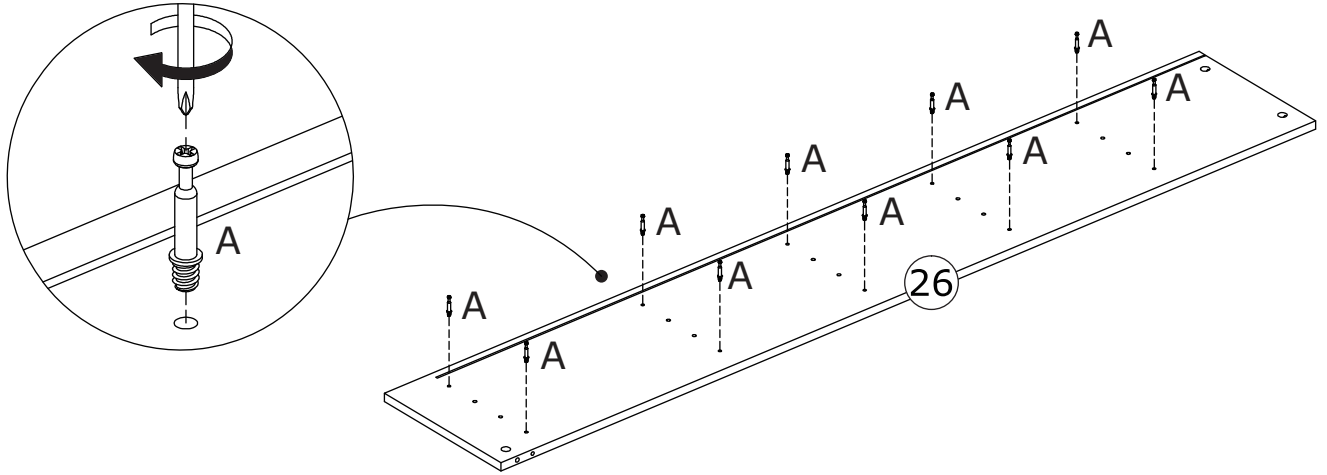
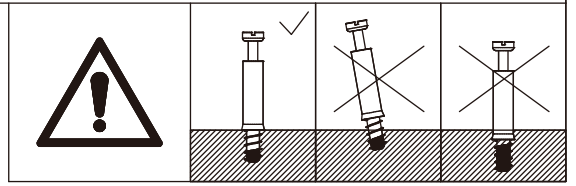
Fix light strip(U) to board 27 through buckle(M) and screw(L) as shown.



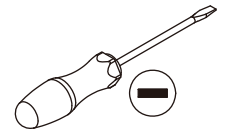
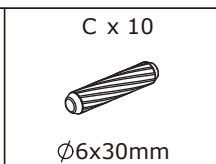
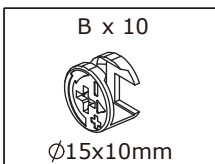
# 23



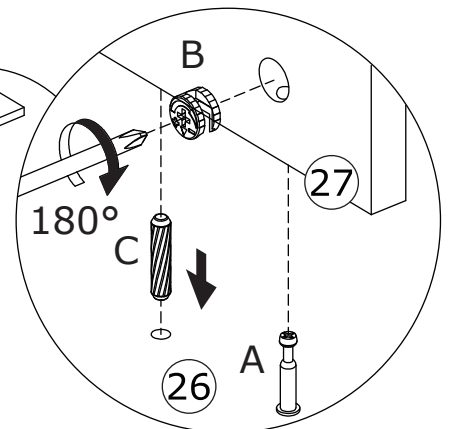
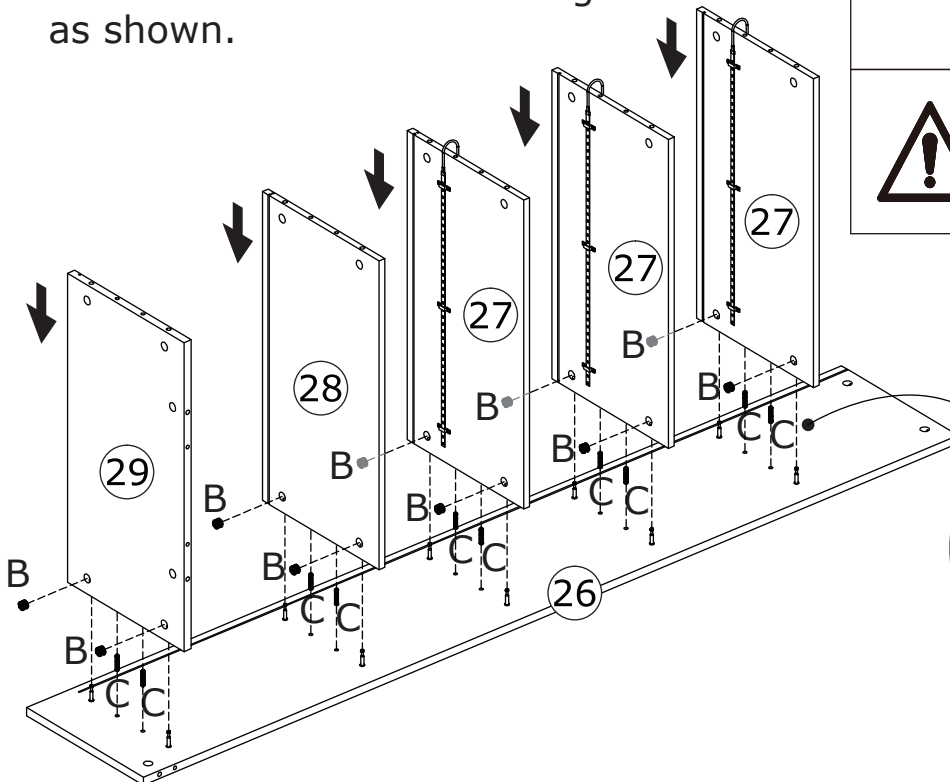
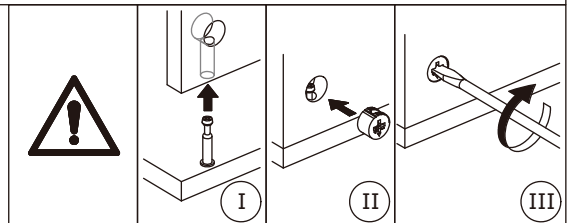
Screw eccentric rod(A) into board 26 as shown.



# 24

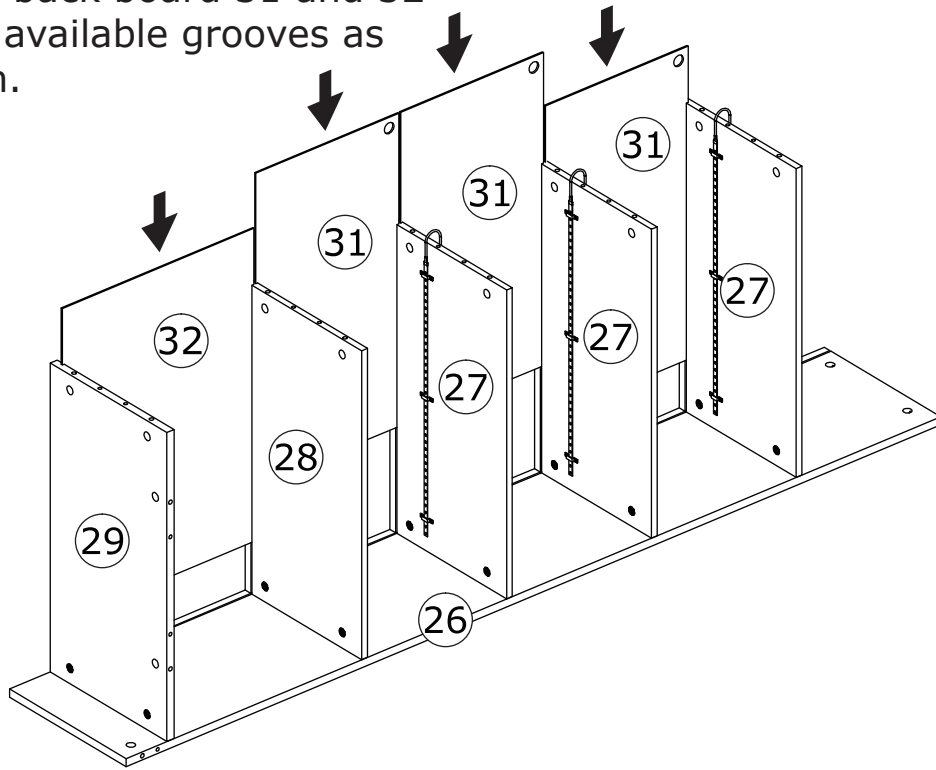


Attach board 27, 28 and 29 to board 26 using wooden dowel(C), add cam lock(B) into and turn clockwise to tighten as shown.



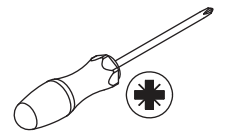
# 25

Insert back board 31 and 32 along available grooves as shown.

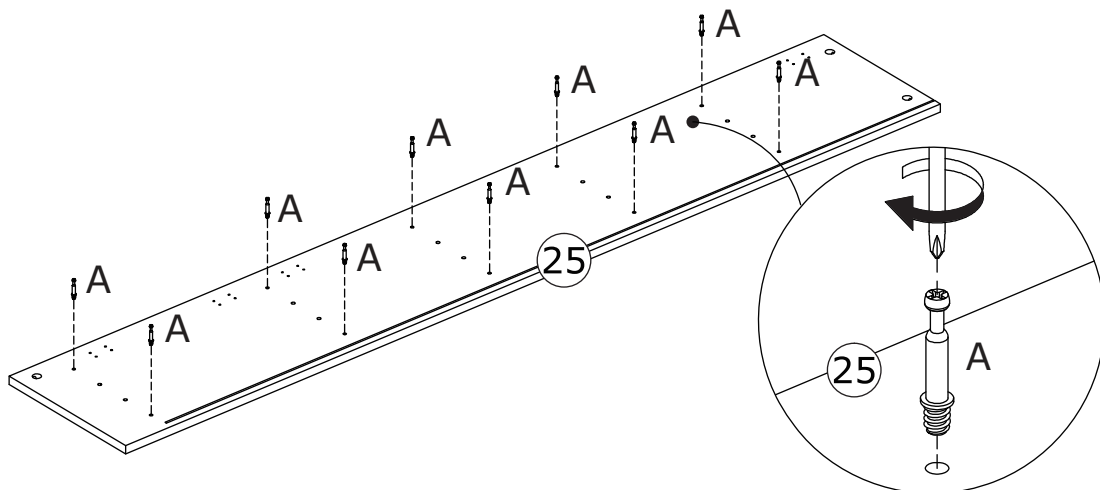
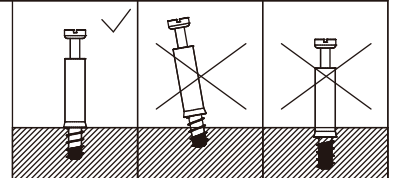


# 26

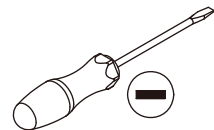
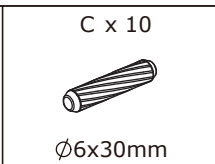
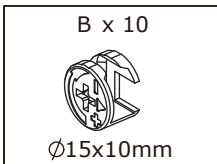
A x 10



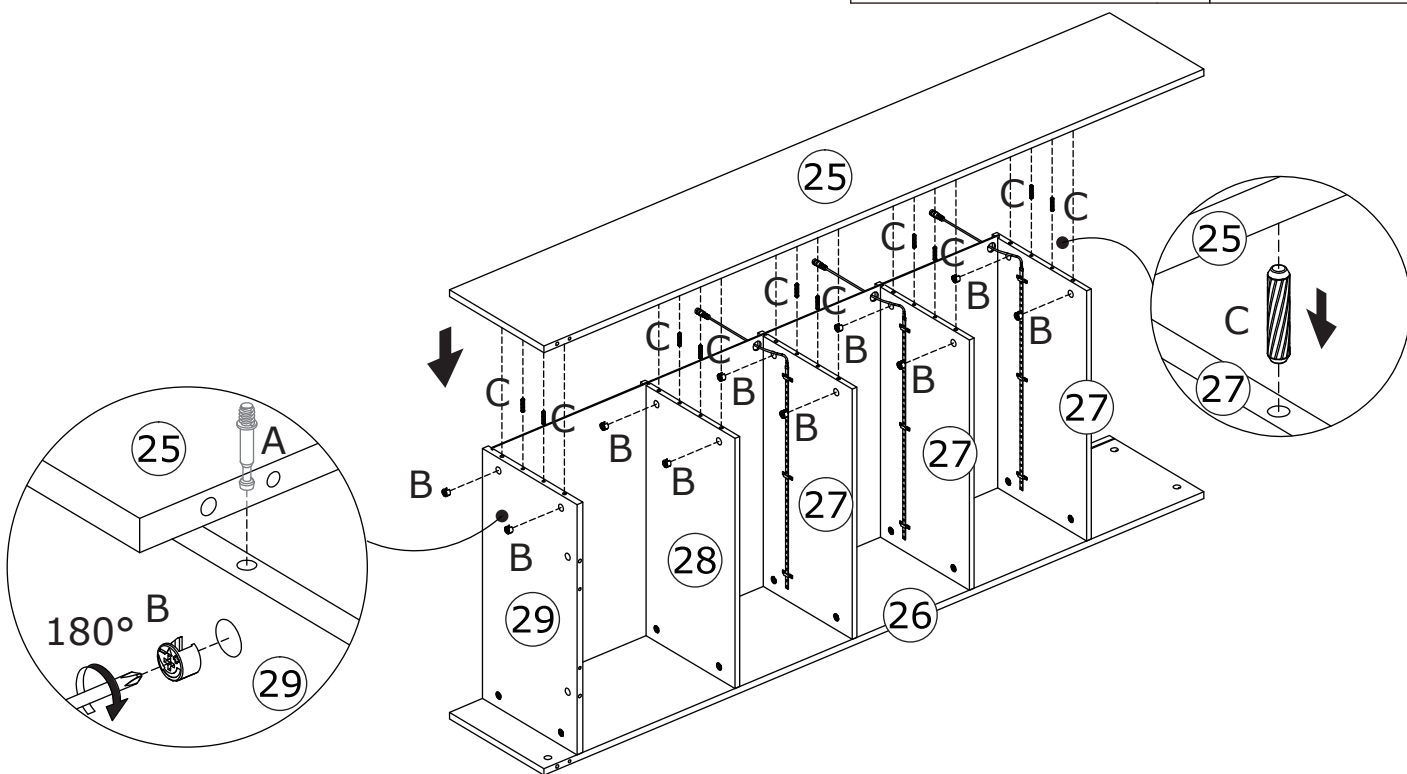
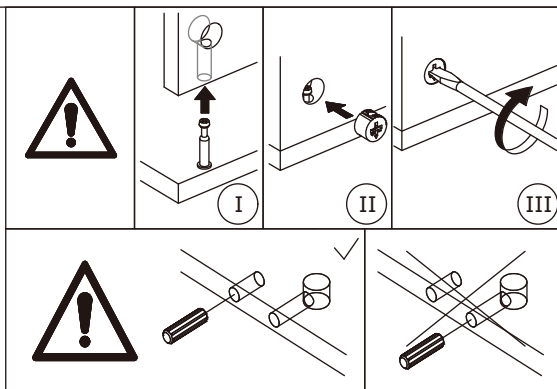
Screw eccentric rod(A) into board 25 as shown.



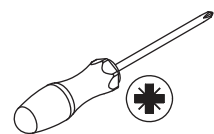
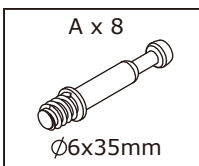
27



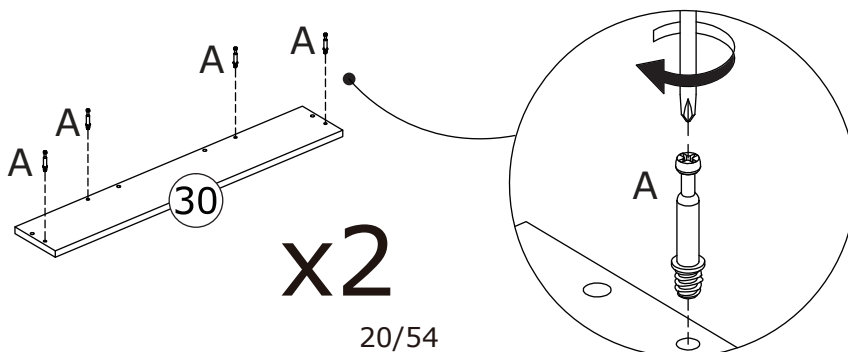
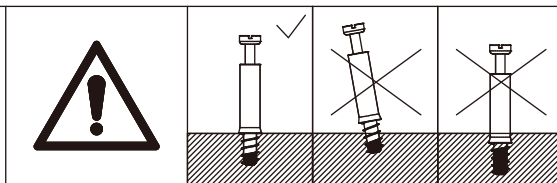
Attach board 25 to board 27, 28 and 29 using wooden dowel(C), add cam lock(B) into and turn clockwise to tighten as shown.



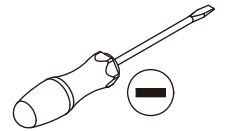
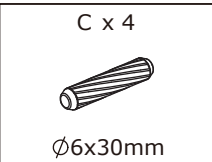
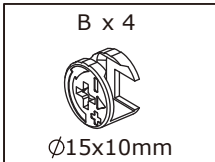
28



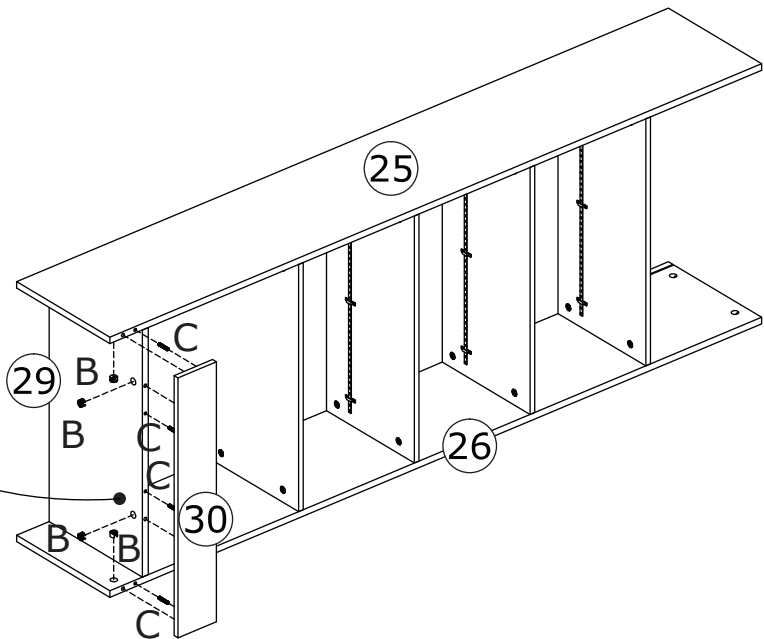
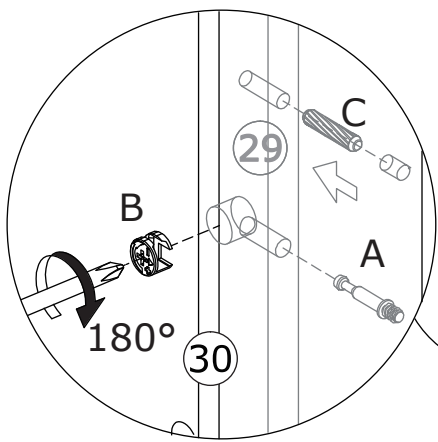
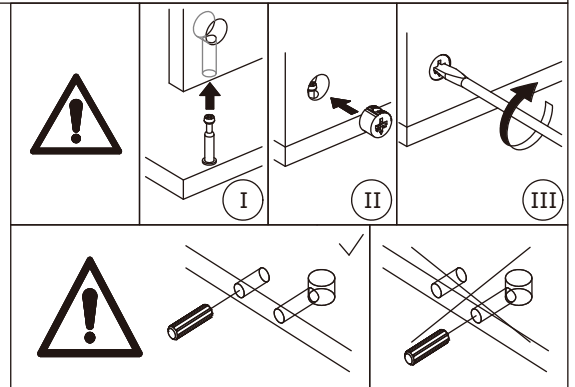
Screw eccentric rod(A) into board 30 as shown.



# 29

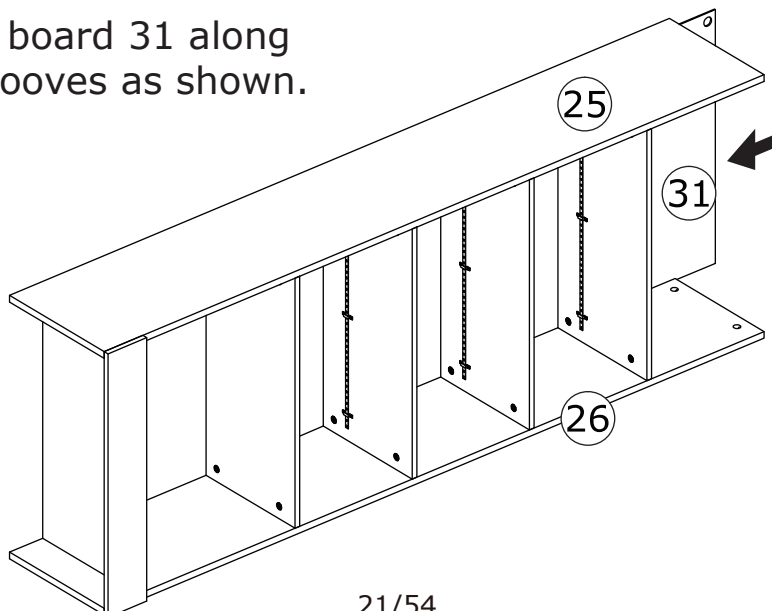


Attach board 30 to board 25, 26 and 29 using wooden dowel(C), add cam lock(B) into and turn clockwise to tighten as shown.

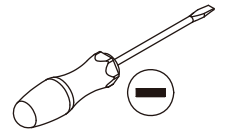
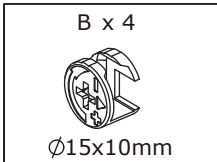


# 30

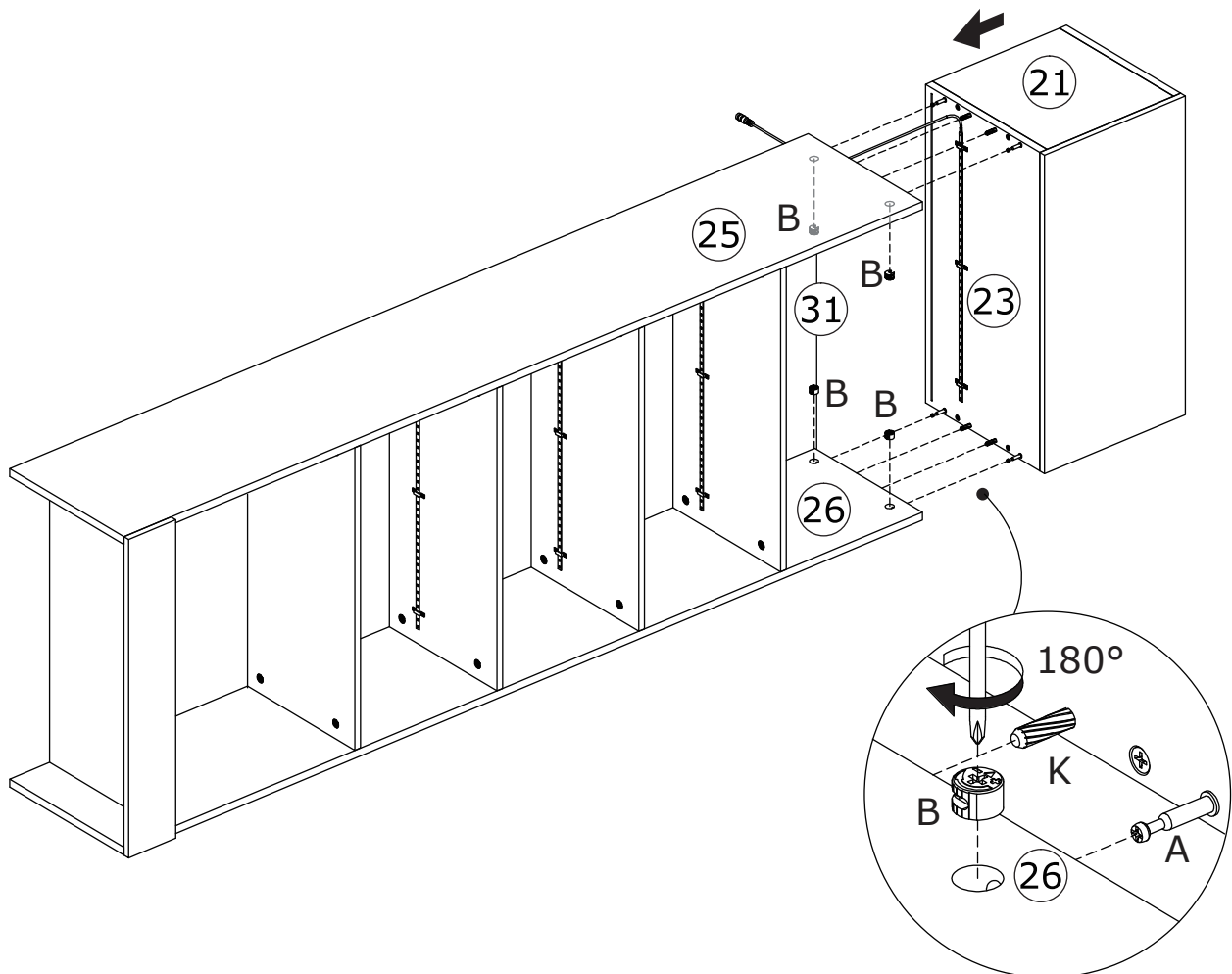
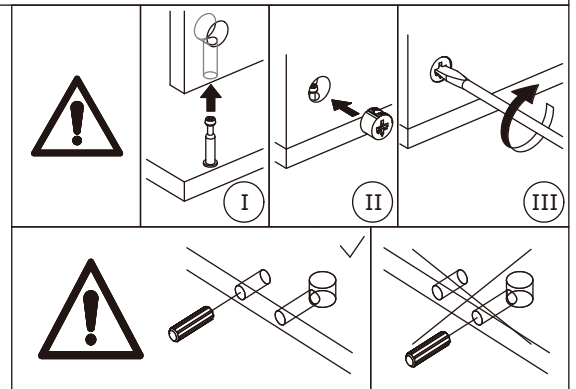
Insert back board 31 along available grooves as shown.



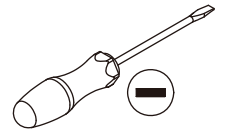
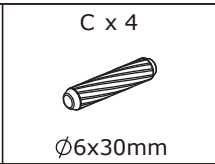
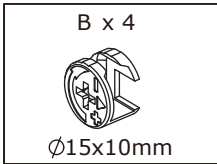
# 31



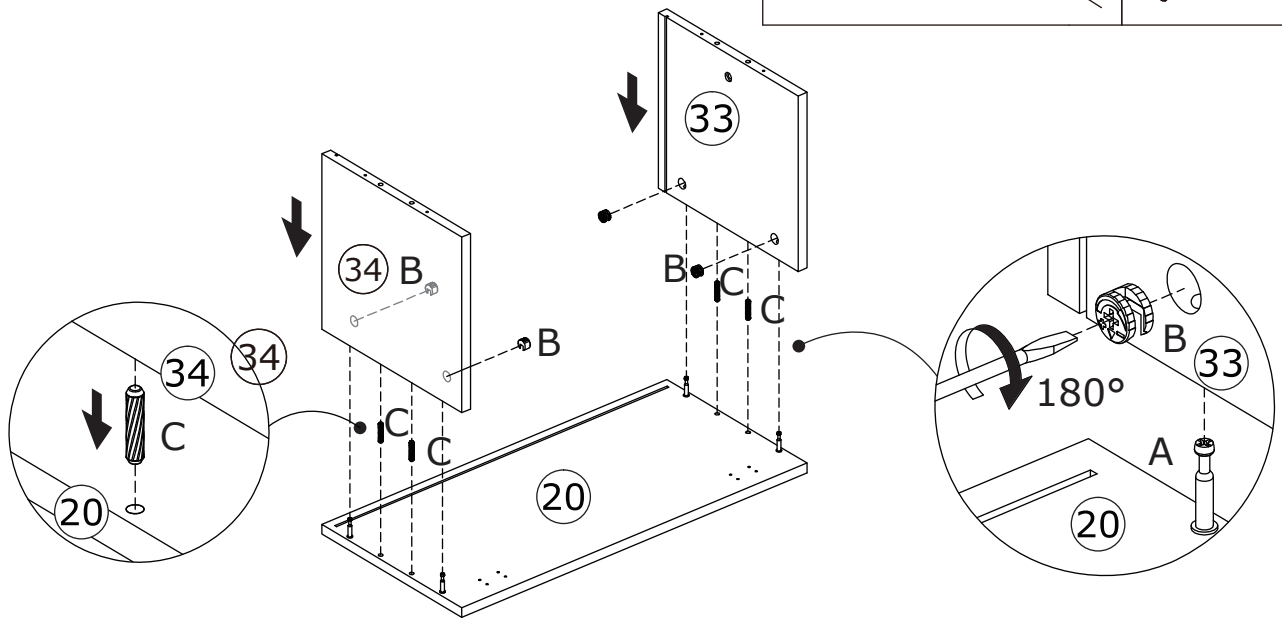
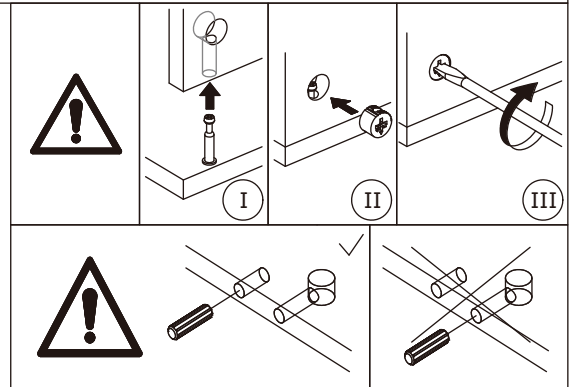
Connect board 23 to board 25 and 26, add cam lock(B) into and turn clockwise to tighten as shown.



# 32

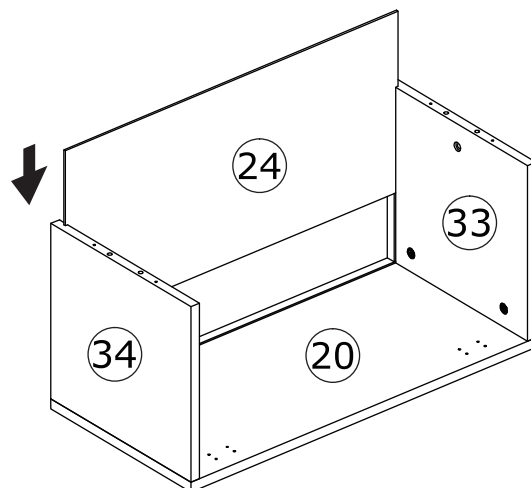


Attach board 20 to board 33 and 34 using wooden dowel(C), add cam lock(B) into and turn clockwise to tighten as shown.

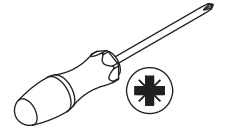
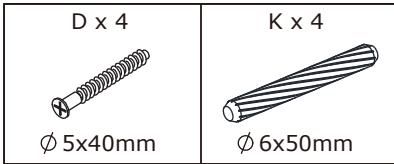


# 33

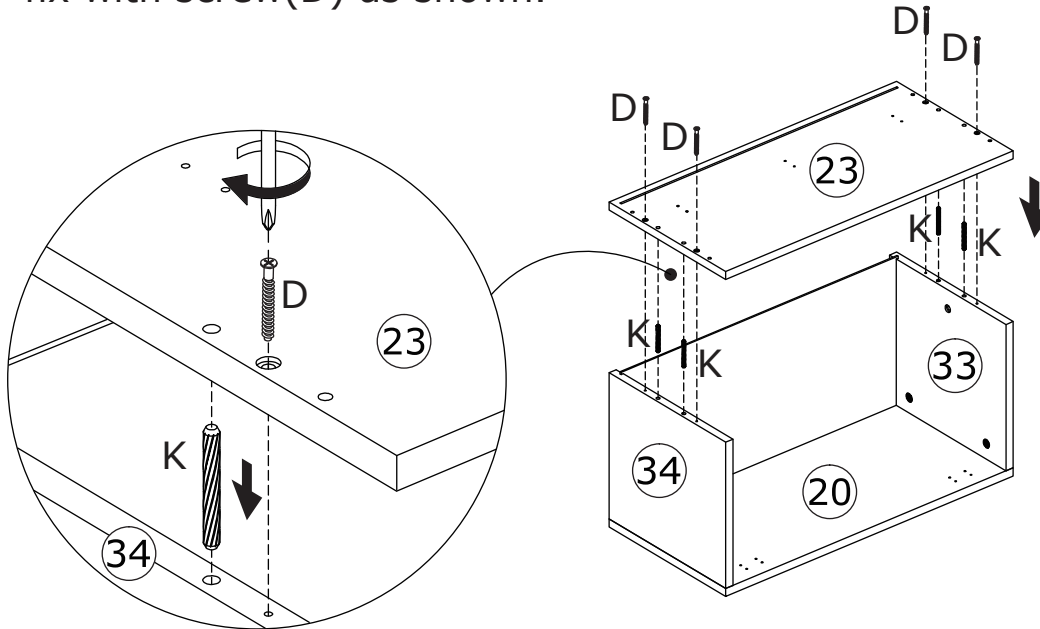
Insert back board 24 along available grooves as shown.



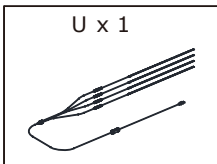
# 34



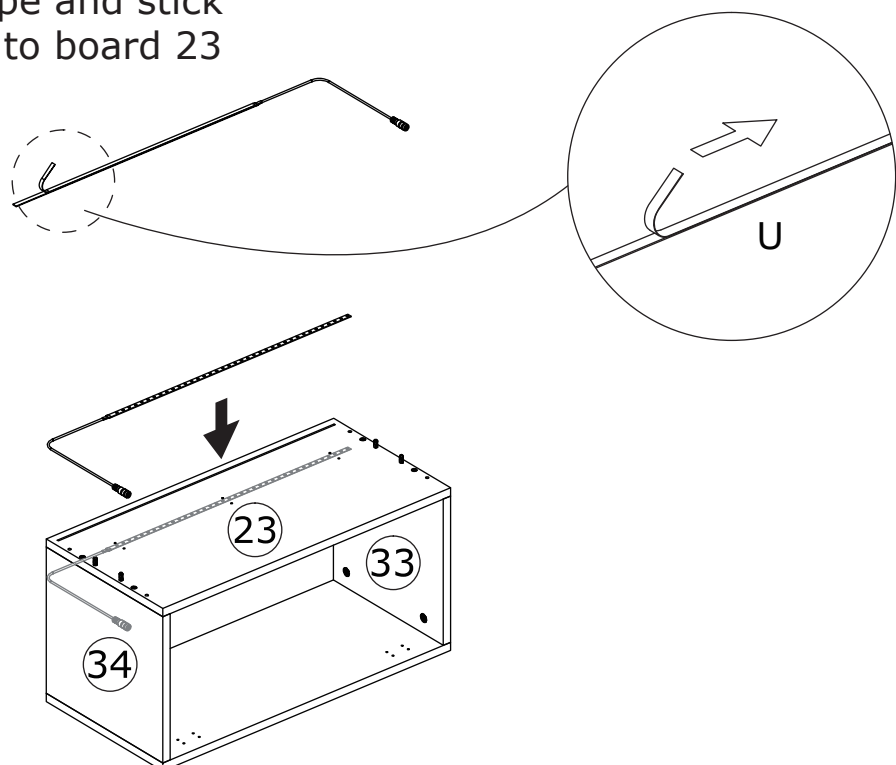
Attach board 23 to board 33 and 34 using LONG wooden dowel(K), and fix with screw(D) as shown.



# 35



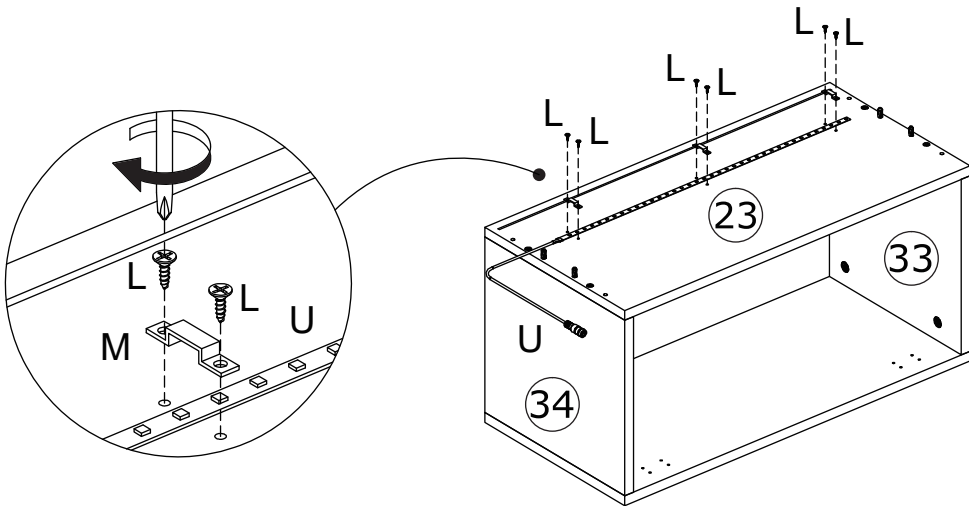
Rip off the tape and stick light strip(U) to board 23 as shown.



36



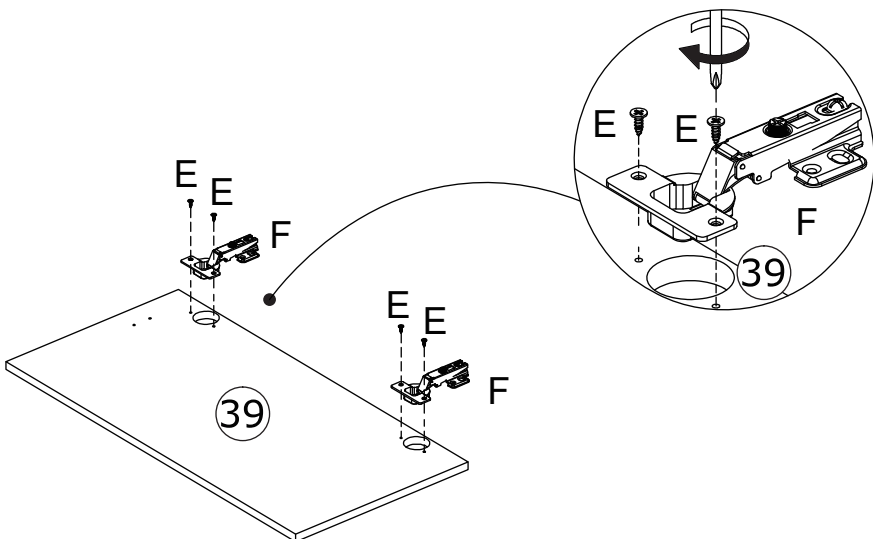
Fix light strip(U) to board 23 through buckle(M) and screw(L) as shown.



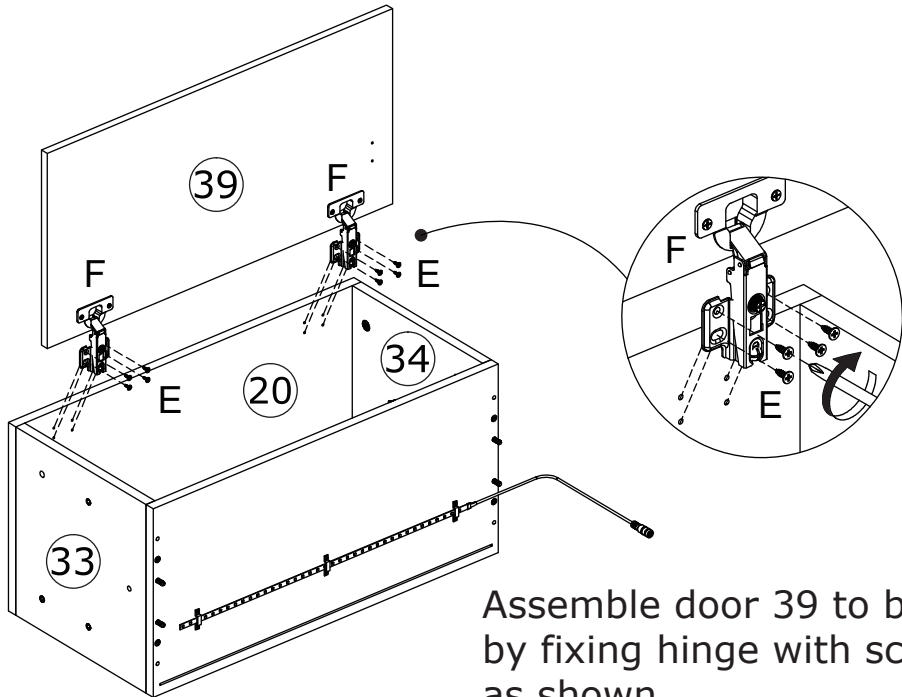
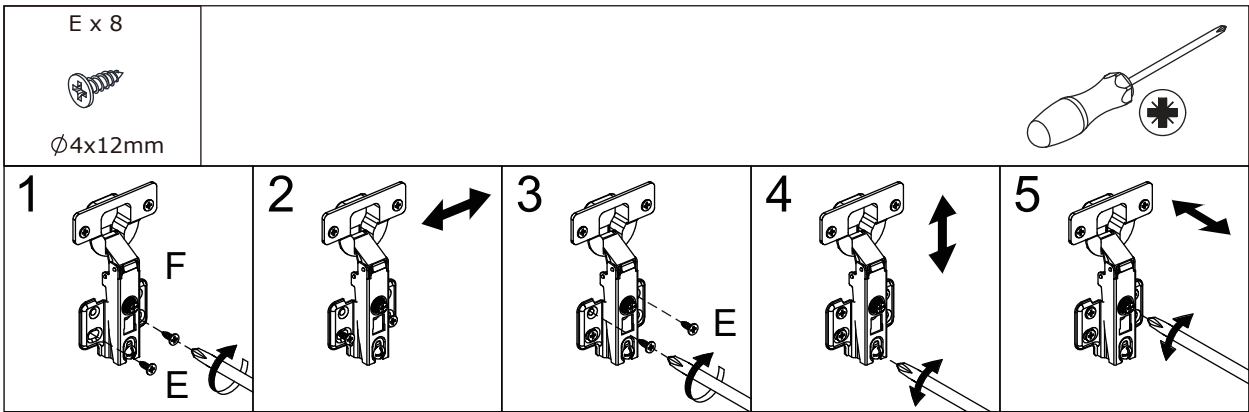
37



Fix hinge(F) to board 39 with screw(E) as shown.



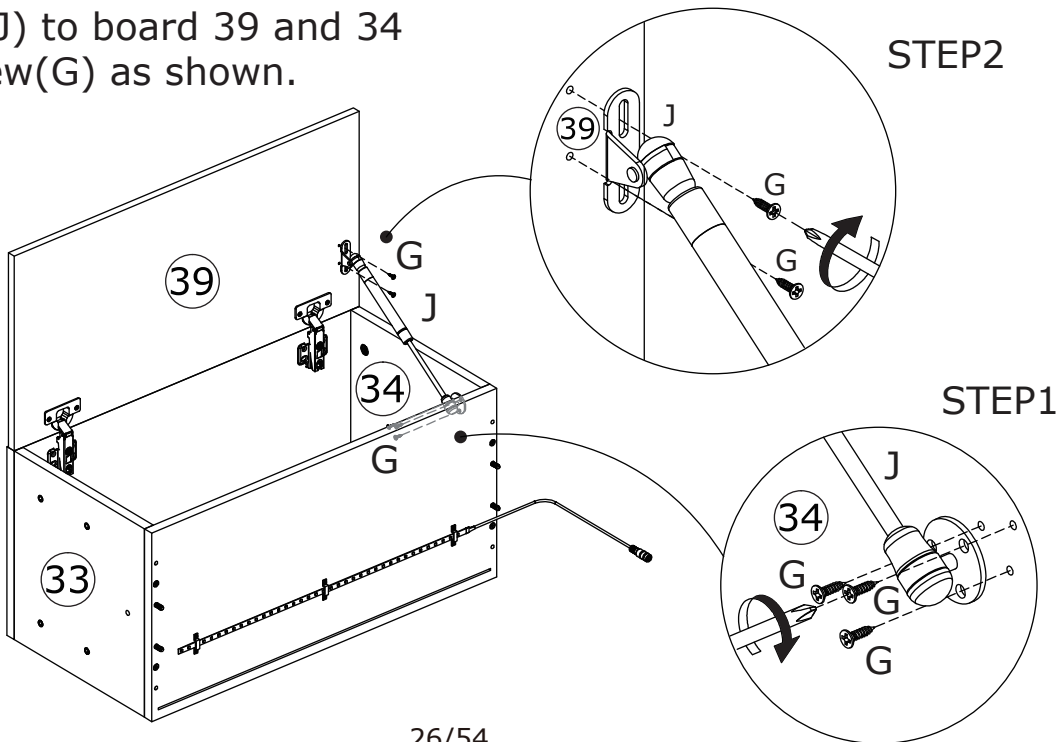
# 38



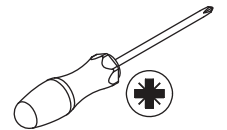
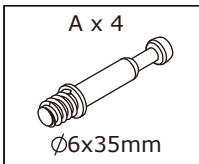
# 39



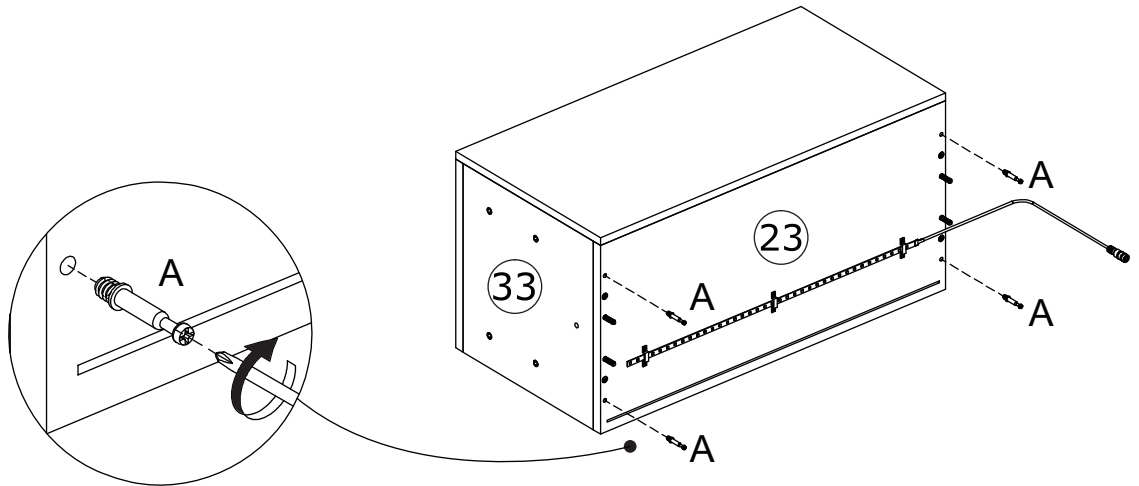
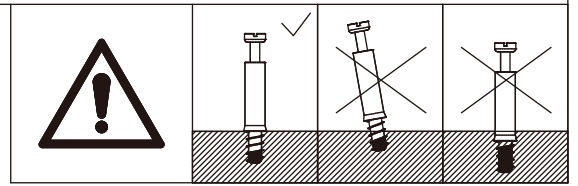
Fix part(J) to board 39 and 34 with screw(G) as shown.



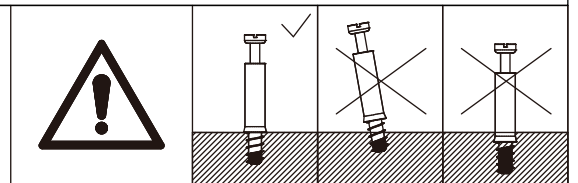
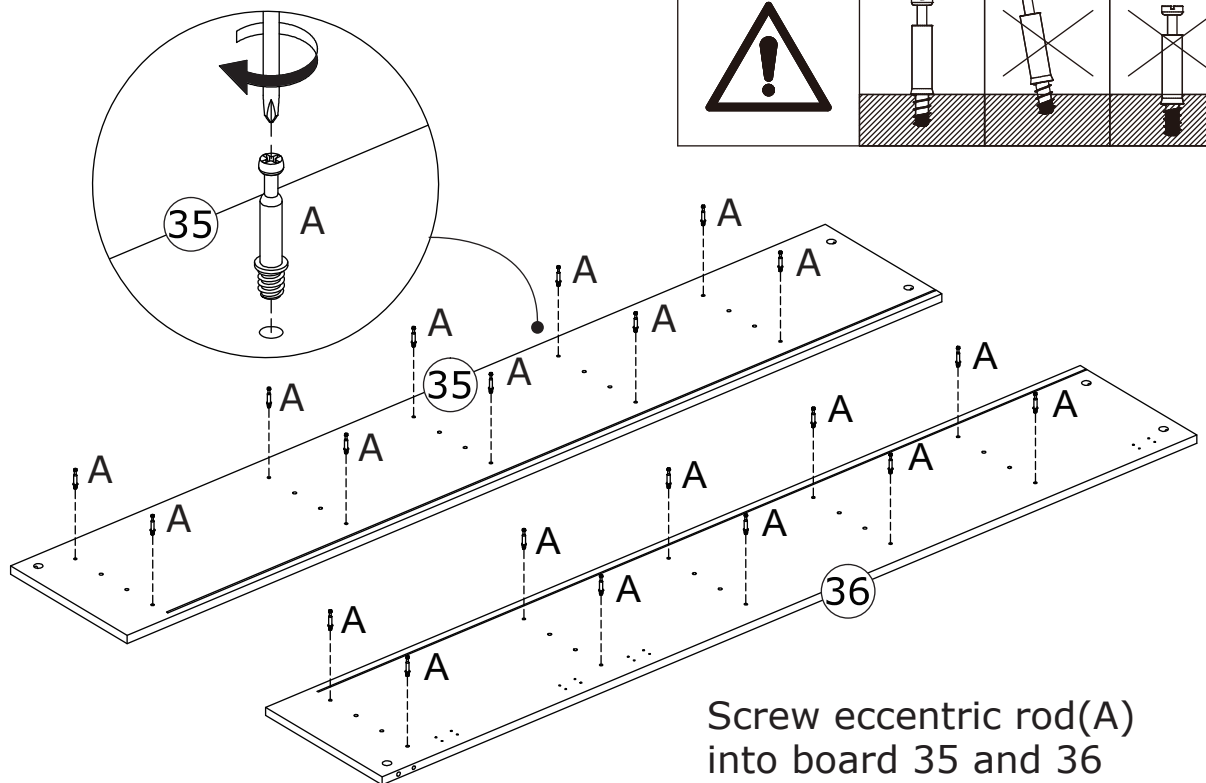
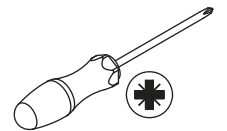
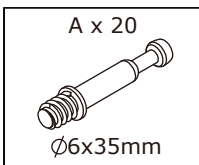
40



Screw eccentric rod(A) into board 23 as shown.

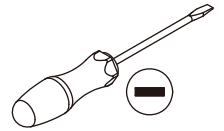
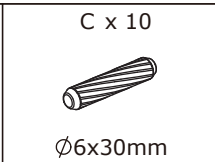
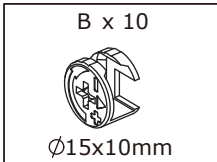


41

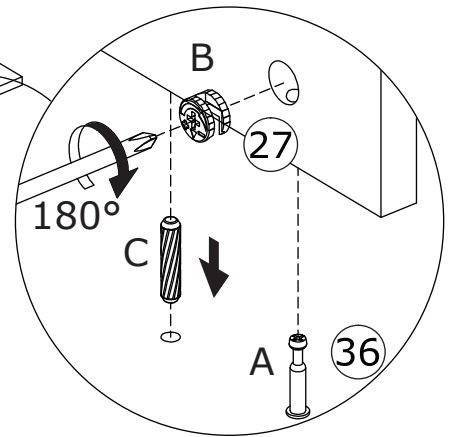
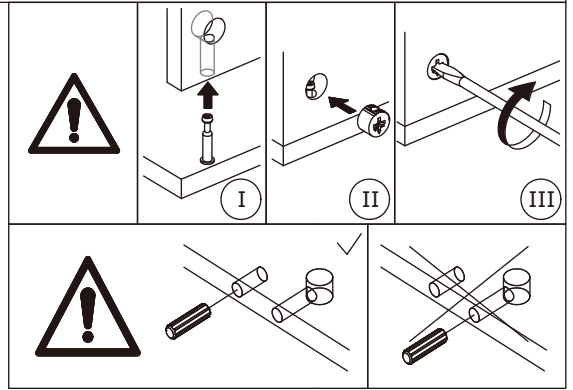
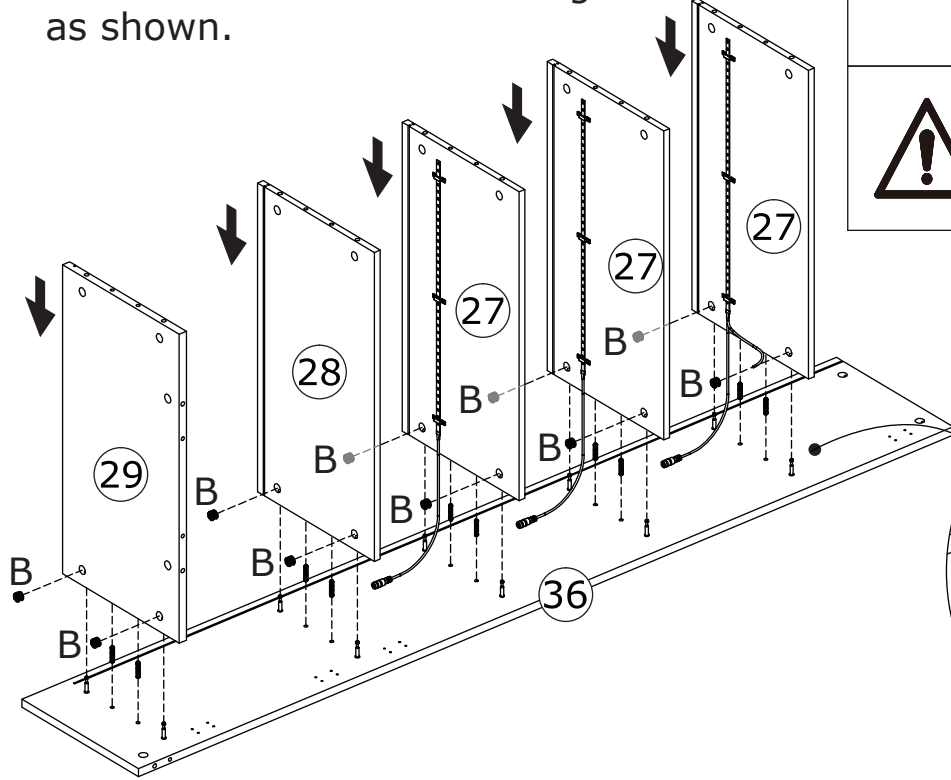


Screw eccentric rod(A) into board 35 and 36 as shown.

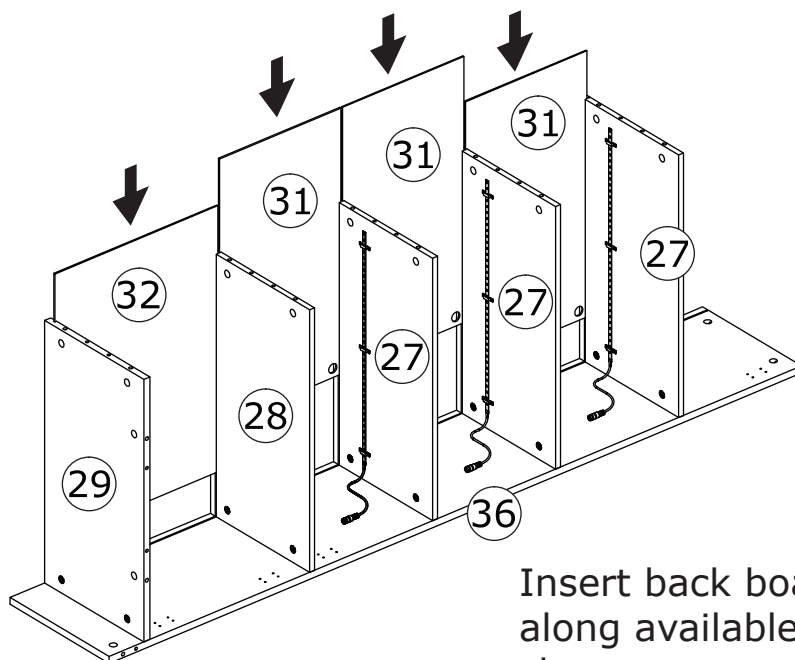
# 42



Attach board 36 to board 27, 28 and 29 using wooden dowel(C), add cam lock(B) into and turn clockwise to tighten as shown.

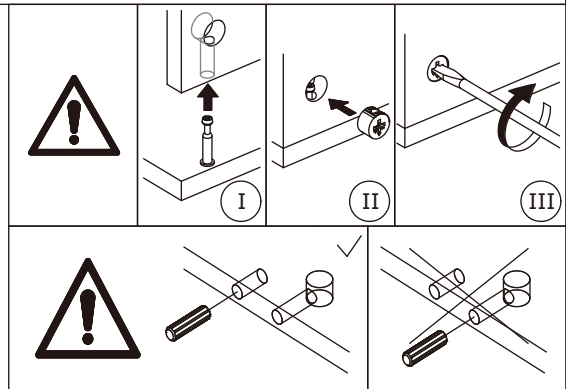


# 43

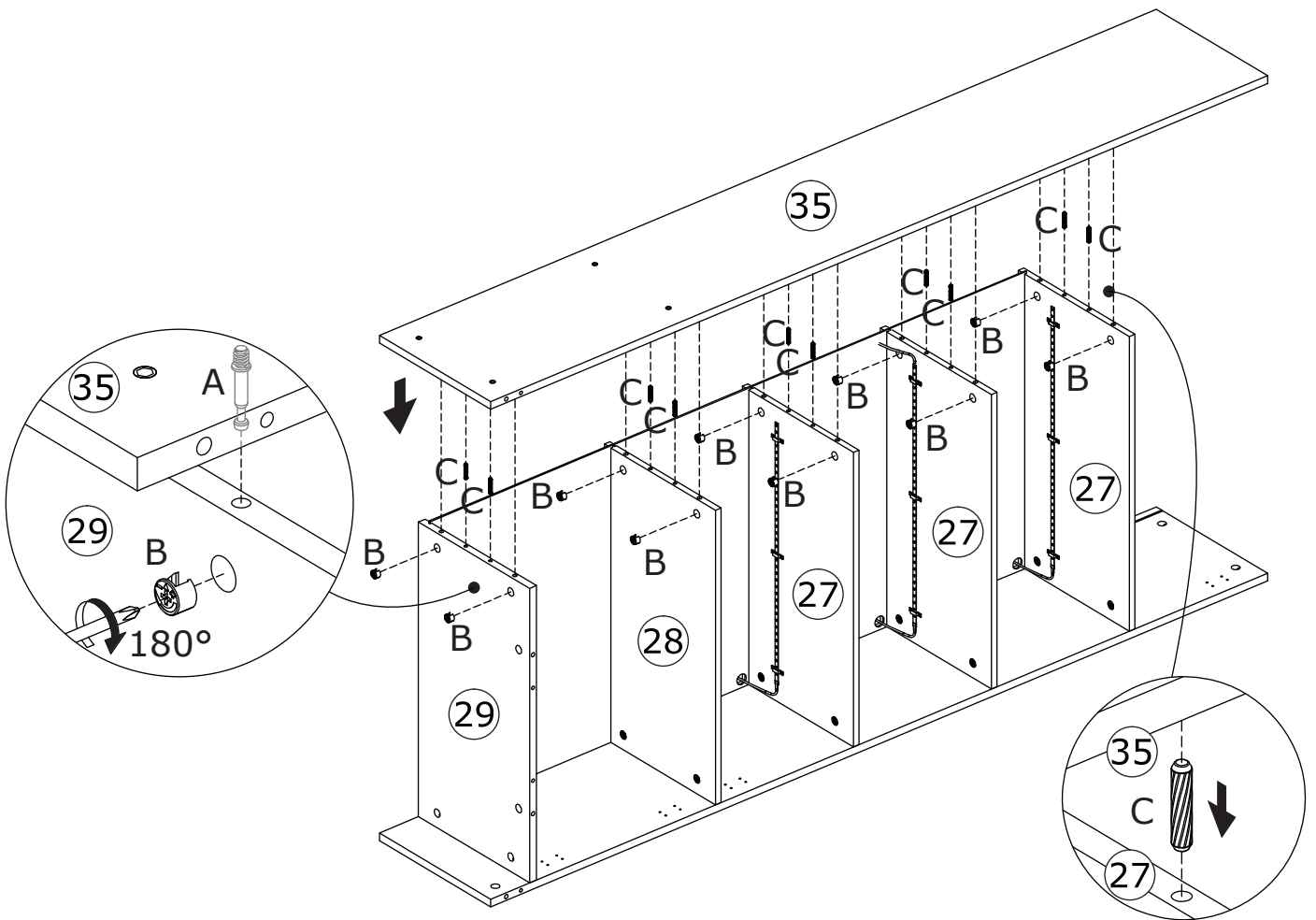


Insert back board 31 and 32 along available grooves as shown.

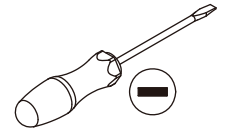
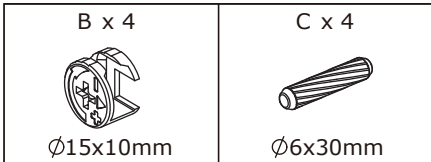
44



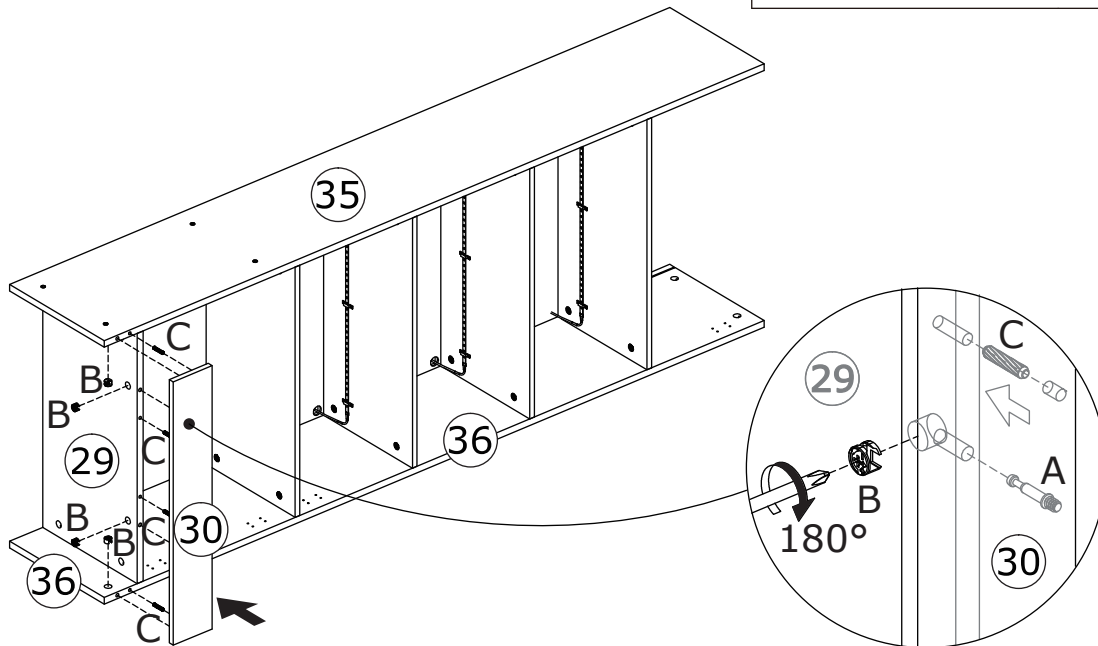
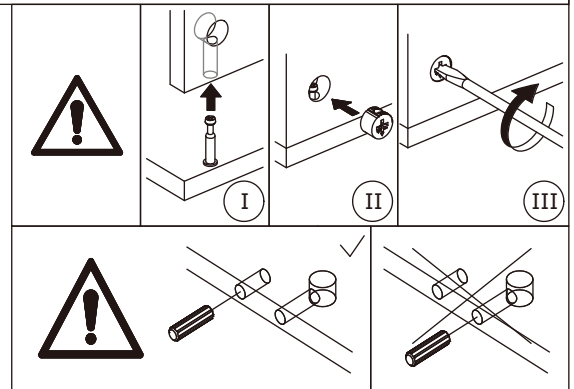
Attach board 35 to board 27, 28 and 29 using wooden dowel(C), add cam lock(B) into and turn clockwise to tighten as shown.



# 45

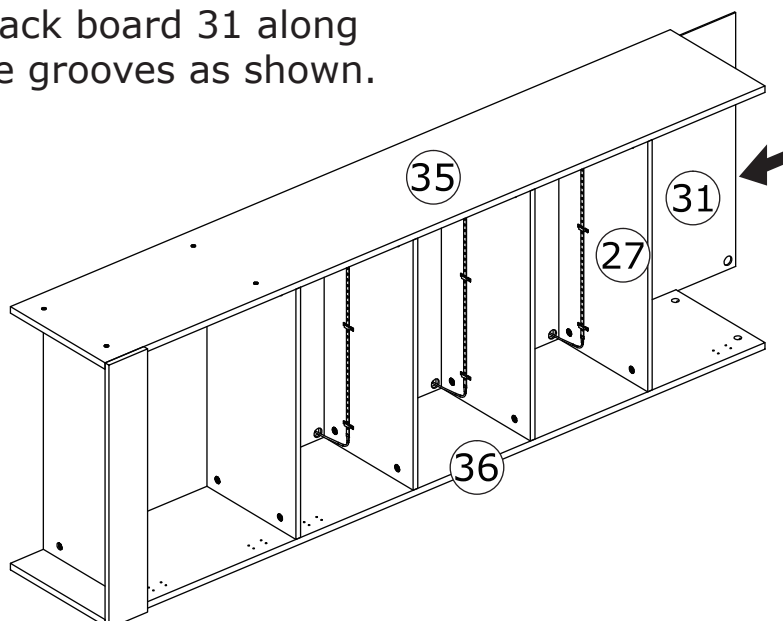


Attach board 30 to board 35, 36 and 29 using wooden dowel(C), add cam lock(B) into and turn clockwise to tighten as shown.

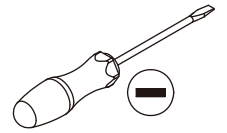
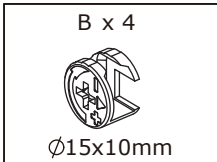


# 46

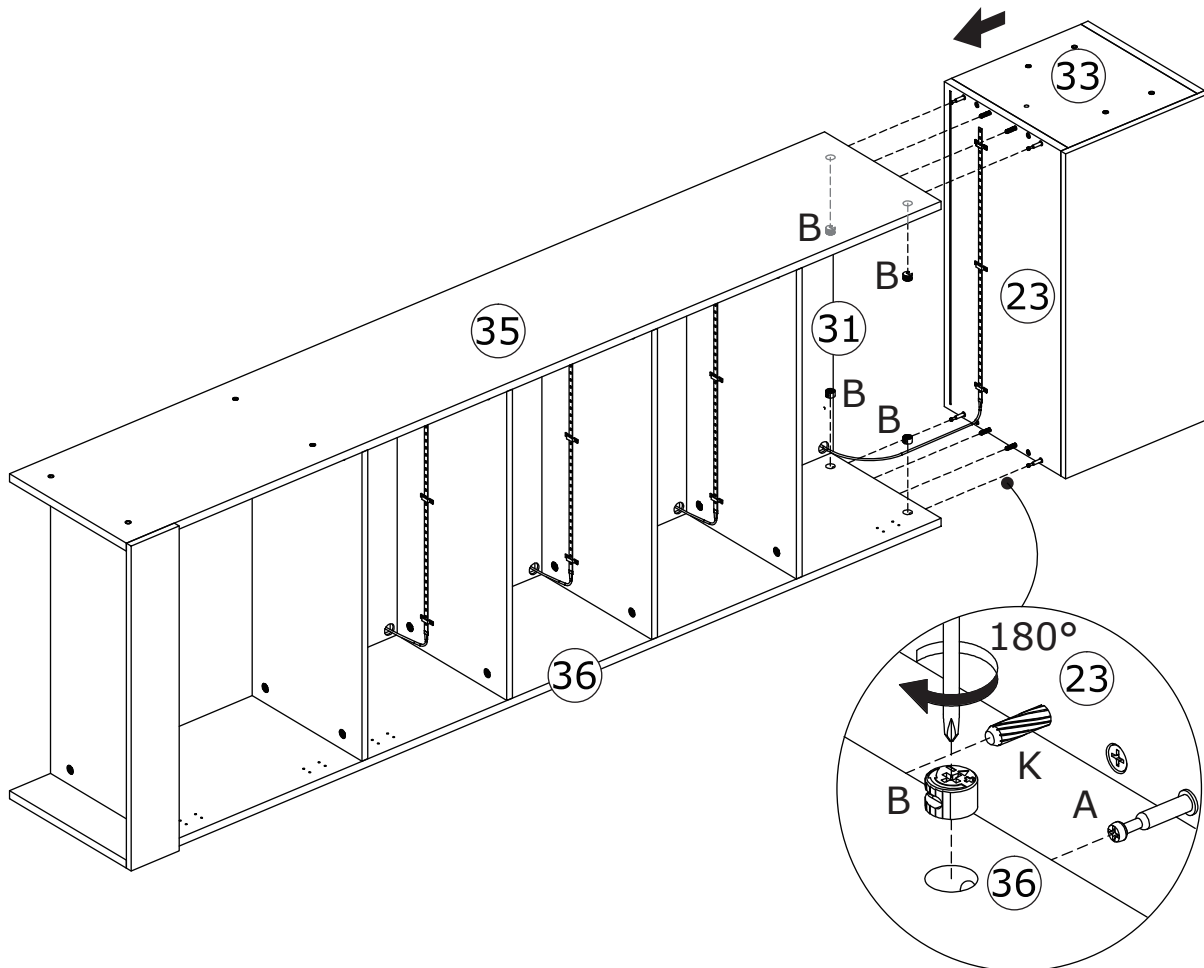
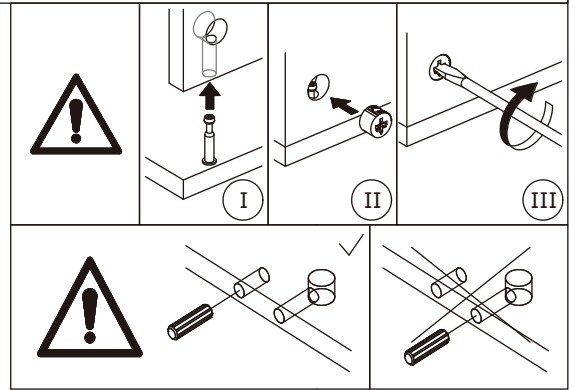
Insert back board 31 along available grooves as shown.



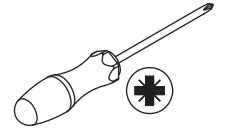
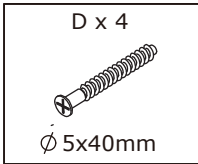
47



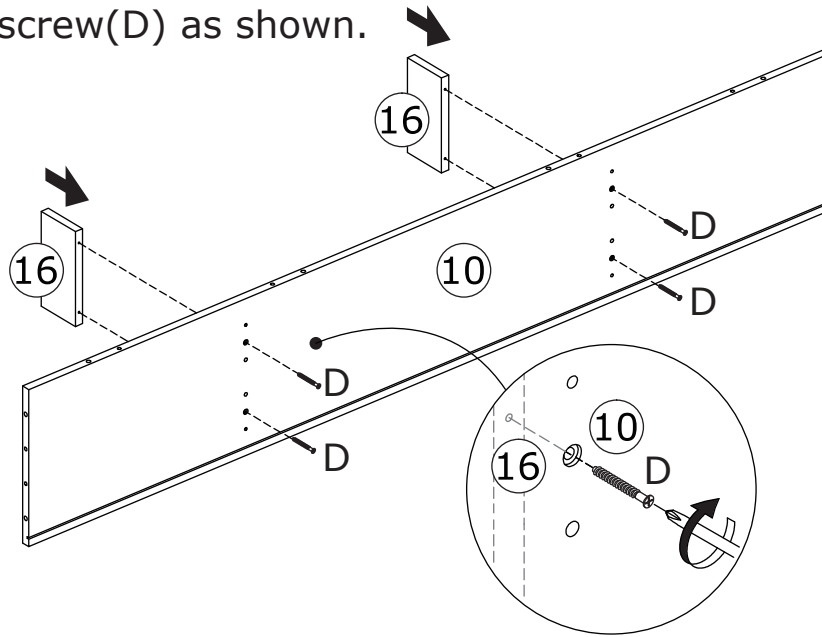
Connect board 23 to board 35 and 36, add cam lock(B) into and turn clockwise to tighten as shown.



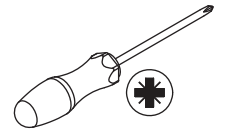
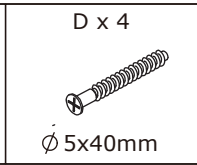
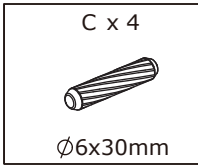
48



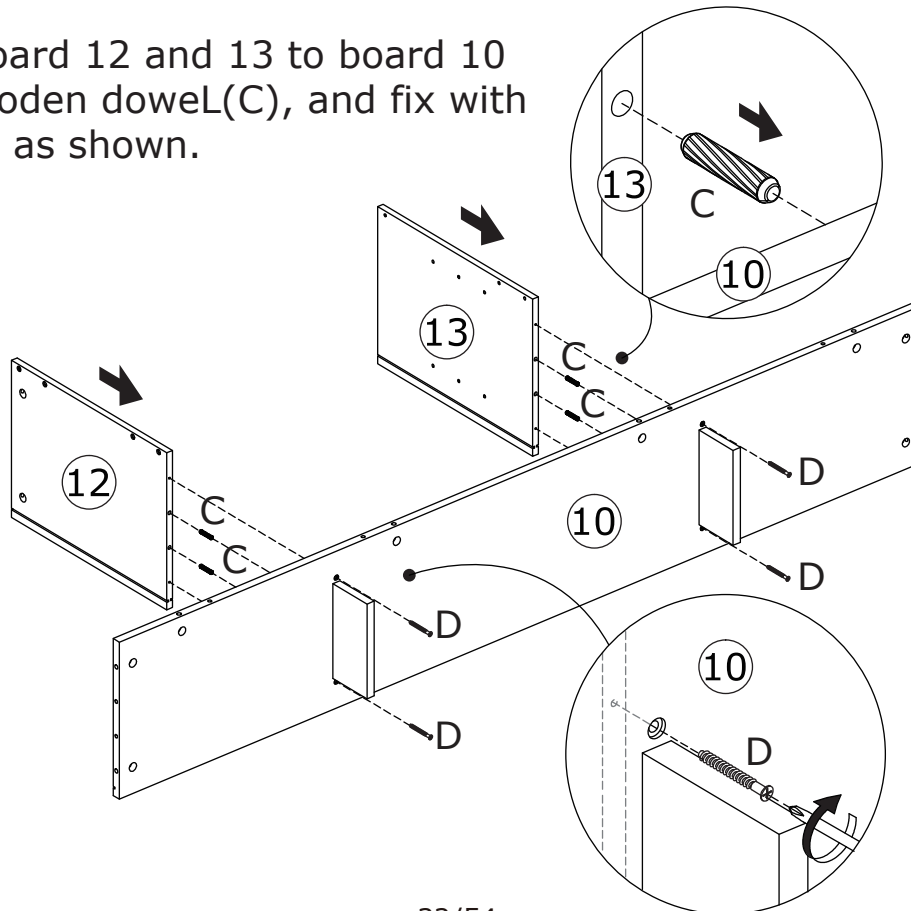
Attach board 16 to board 10,  
and fix with screw(D) as shown.



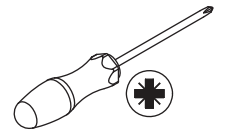
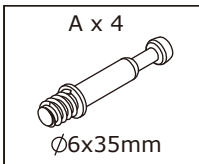
49



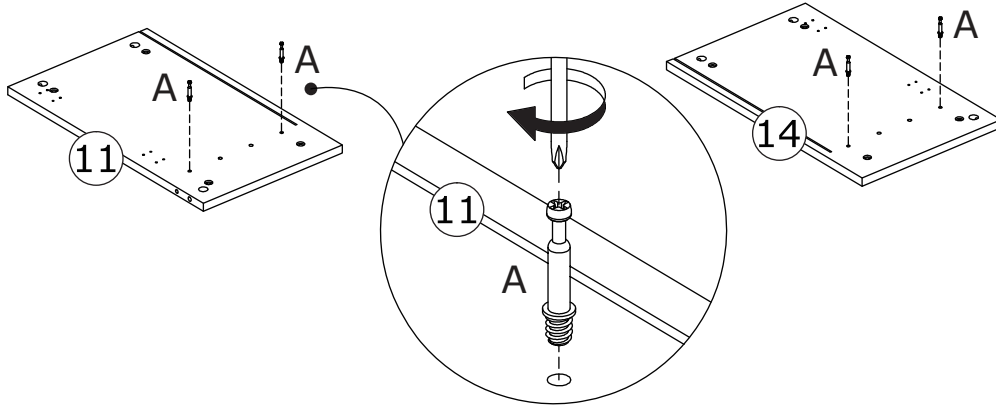
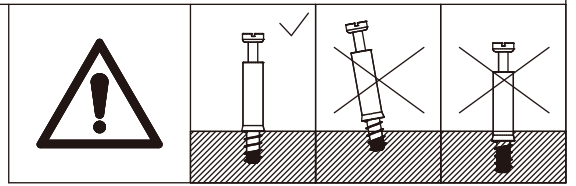
Attach board 12 and 13 to board 10  
using wooden dowel(C), and fix with  
screw(D) as shown.



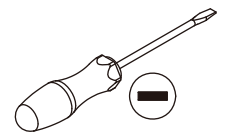
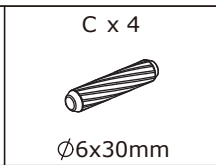
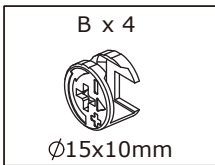
50



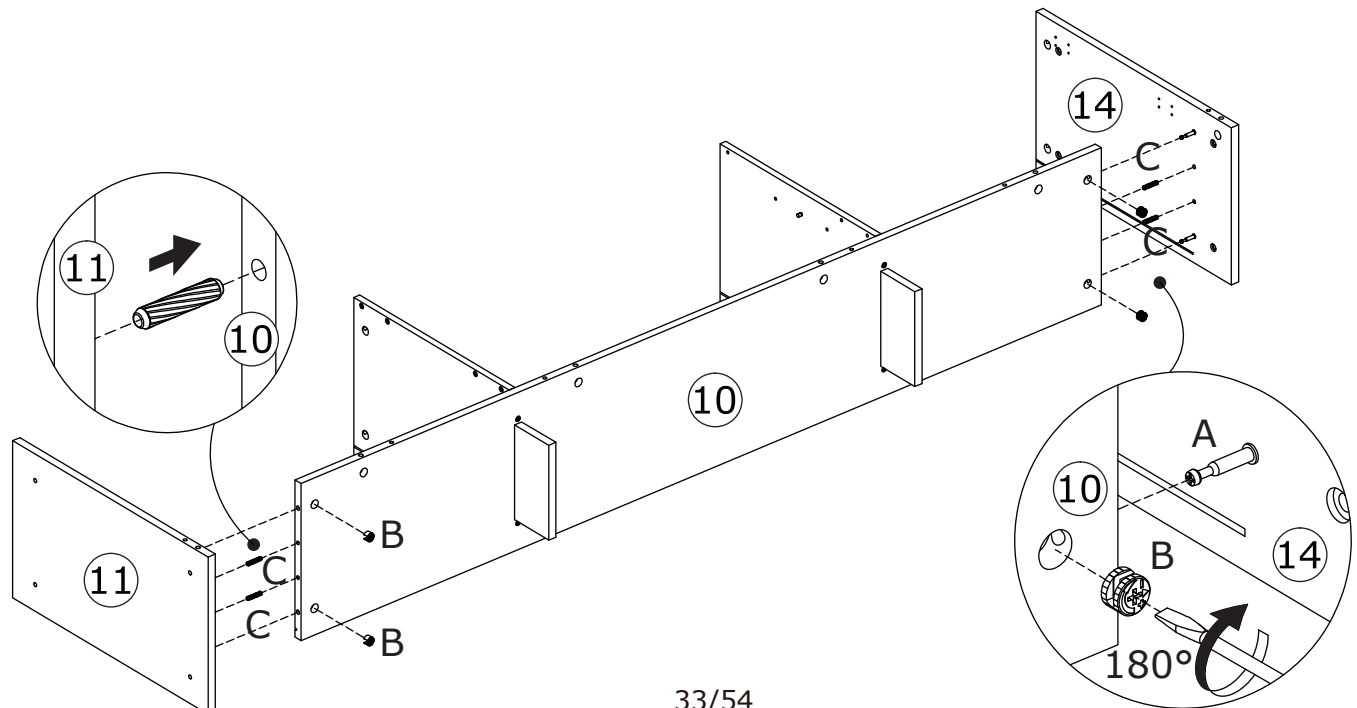
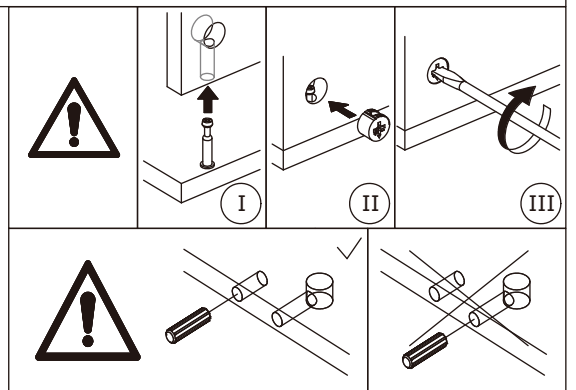
Screw eccentric rod(A) into board 11 and 14 as shown.



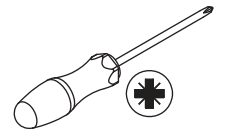
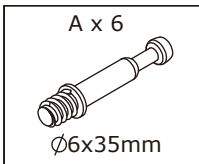
51



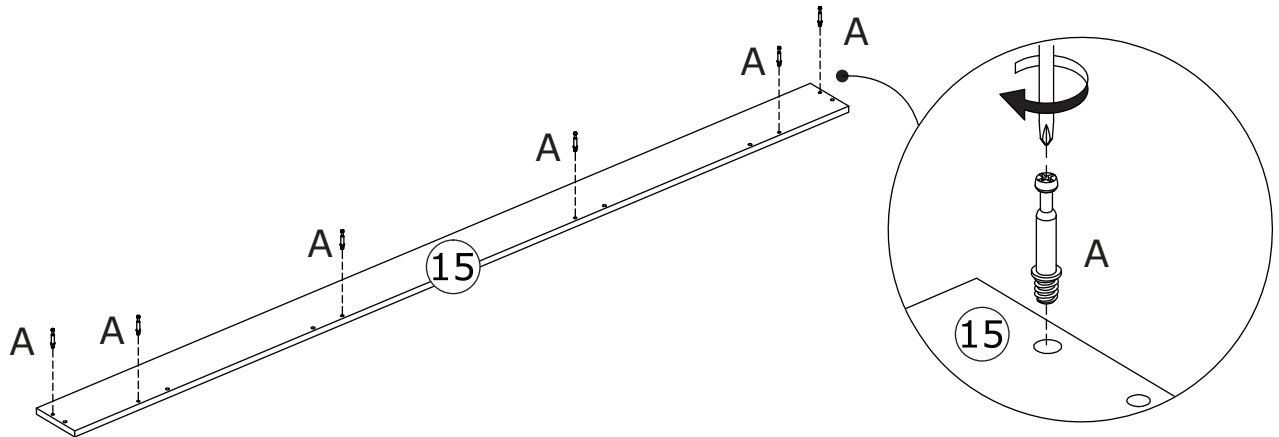
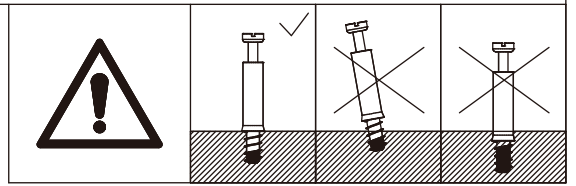
Connect board 11 and 14 to board 10 using wooden dowel(C), add cam lock(B) into and turn clockwise to tighten as shown.



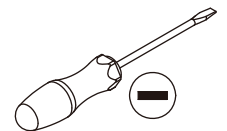
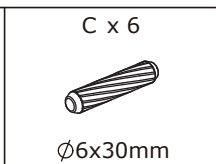
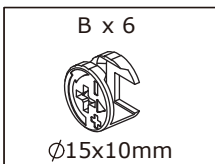
52



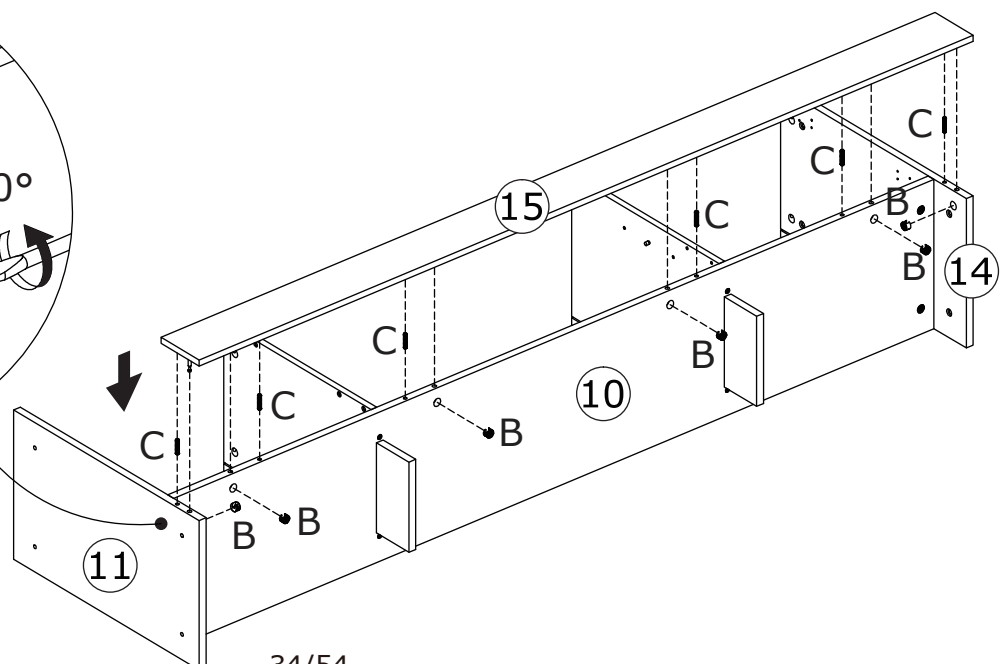
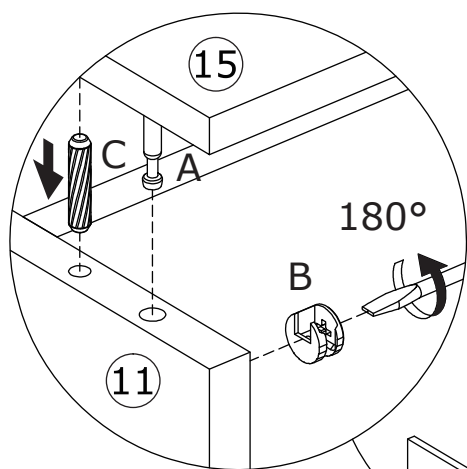
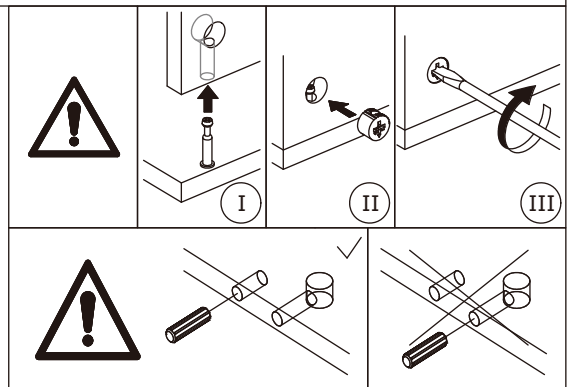
Screw eccentric rod(A) into board 15 as shown.



53

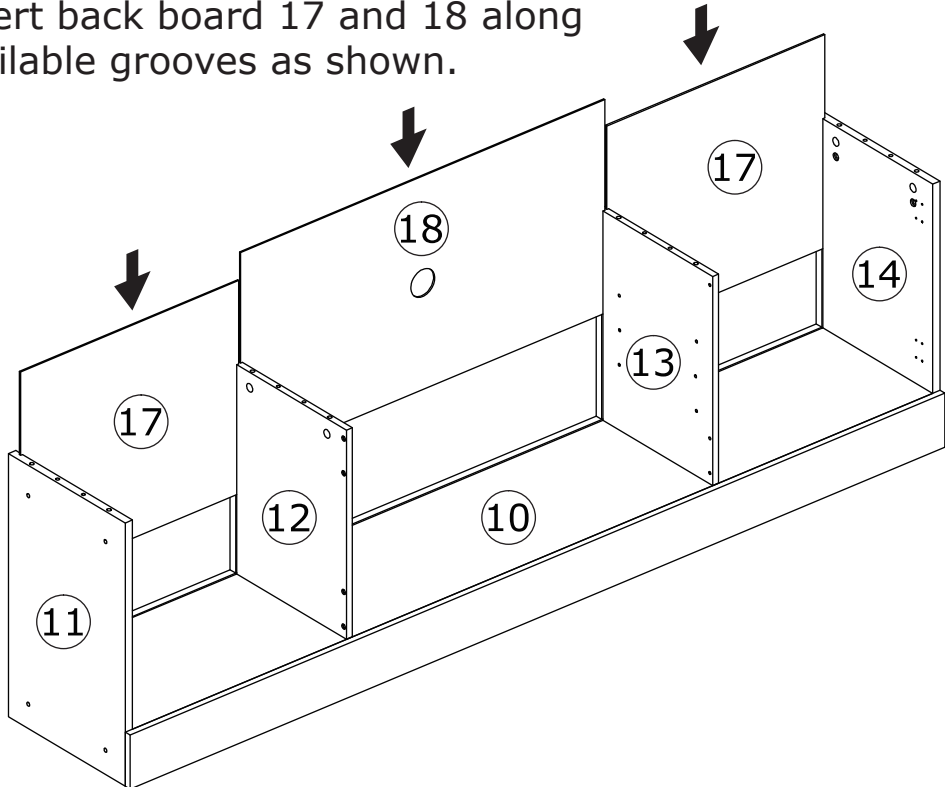


Attach board 15 to board 10, 11 and 14 using wooden dowel(C), add cam lock(B) into and turn clockwise to tighten as shown.

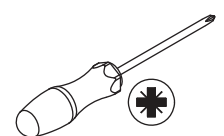
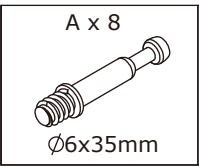


54

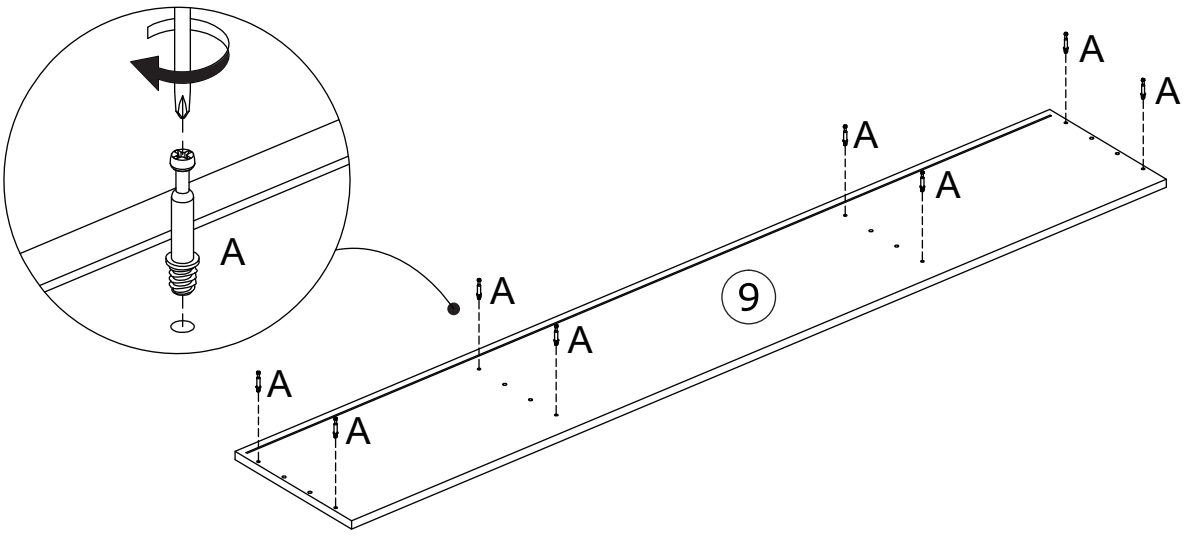
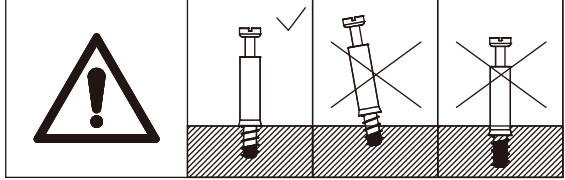
Insert back board 17 and 18 along available grooves as shown.



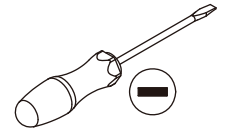
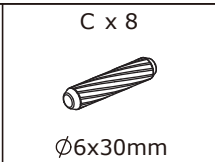
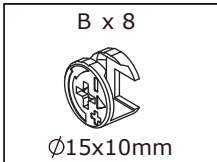
55



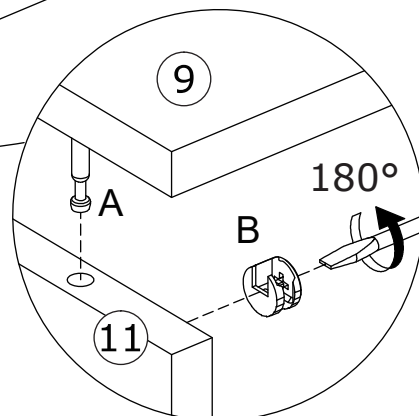
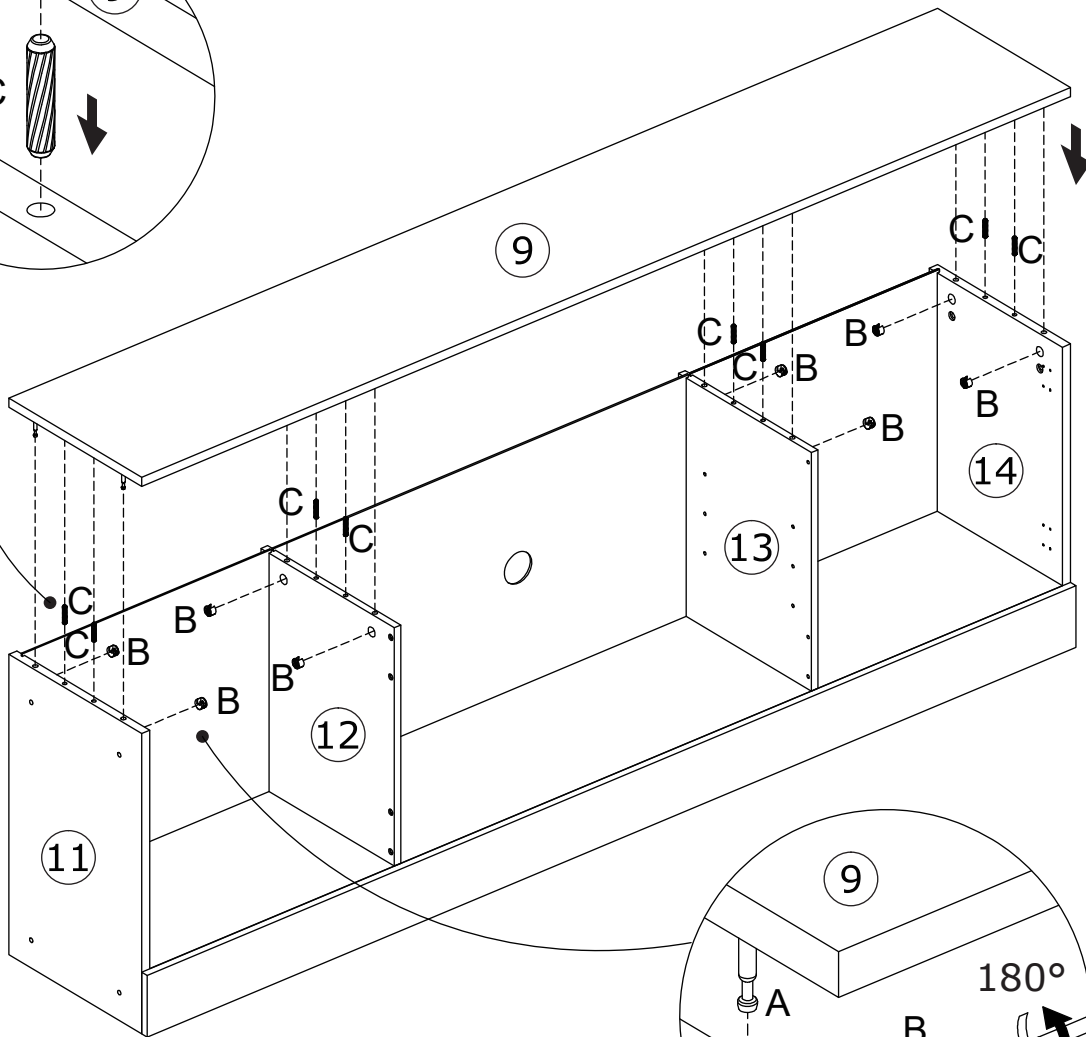
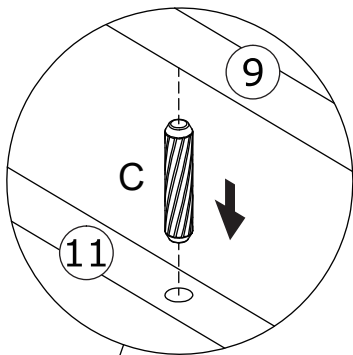
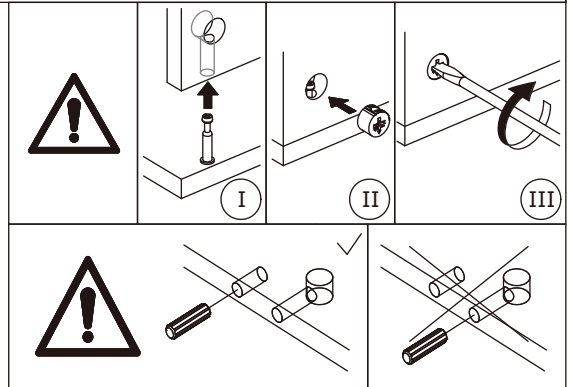
Screw eccentric rod(A) into board 9 as shown.



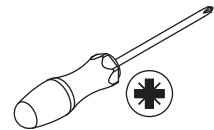
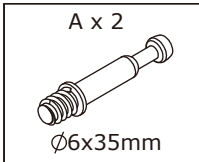
# 56



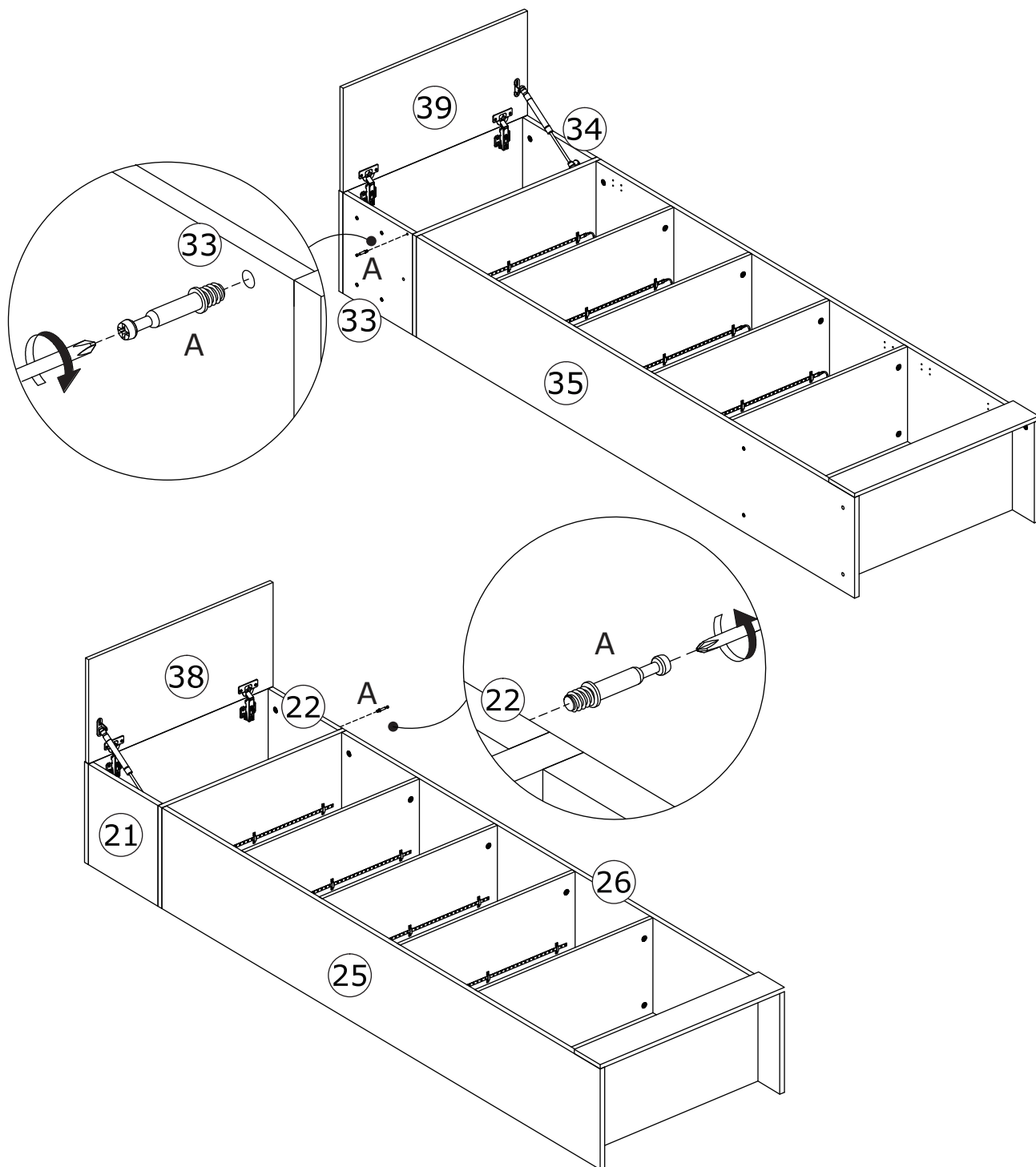
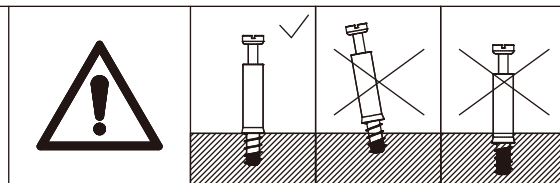
Cover board 9 to board 11, 12, 13 and 14 using wooden dowel(C), add cam lock(B) into and turn clockwise to tighten as shown.



57



Screw eccentric rod(A) into board 22 and 33 as shown.



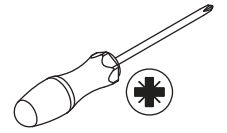
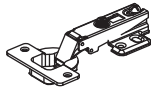


59

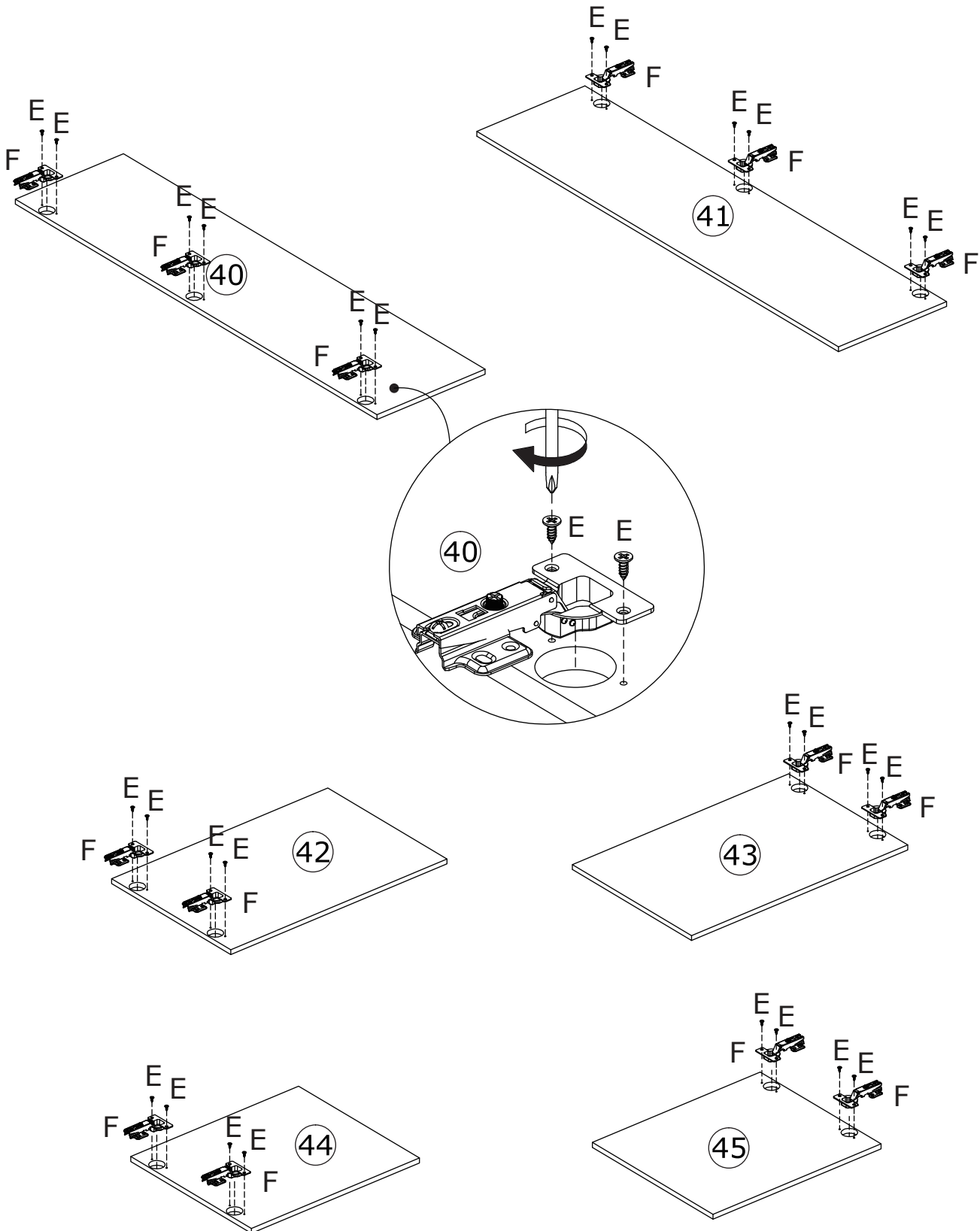
E x 28



F x 14



Fix hinge(F) to board 40, 41, 42, 43, 44 and 45 with screw(E) as shown.

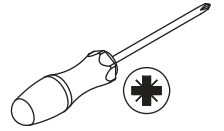


60

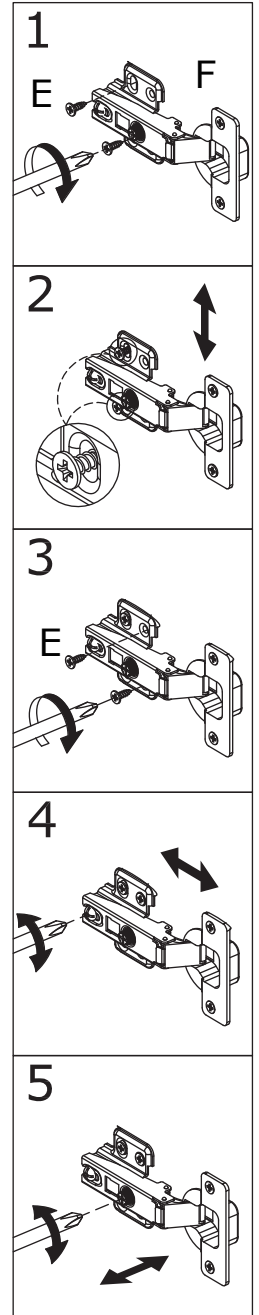
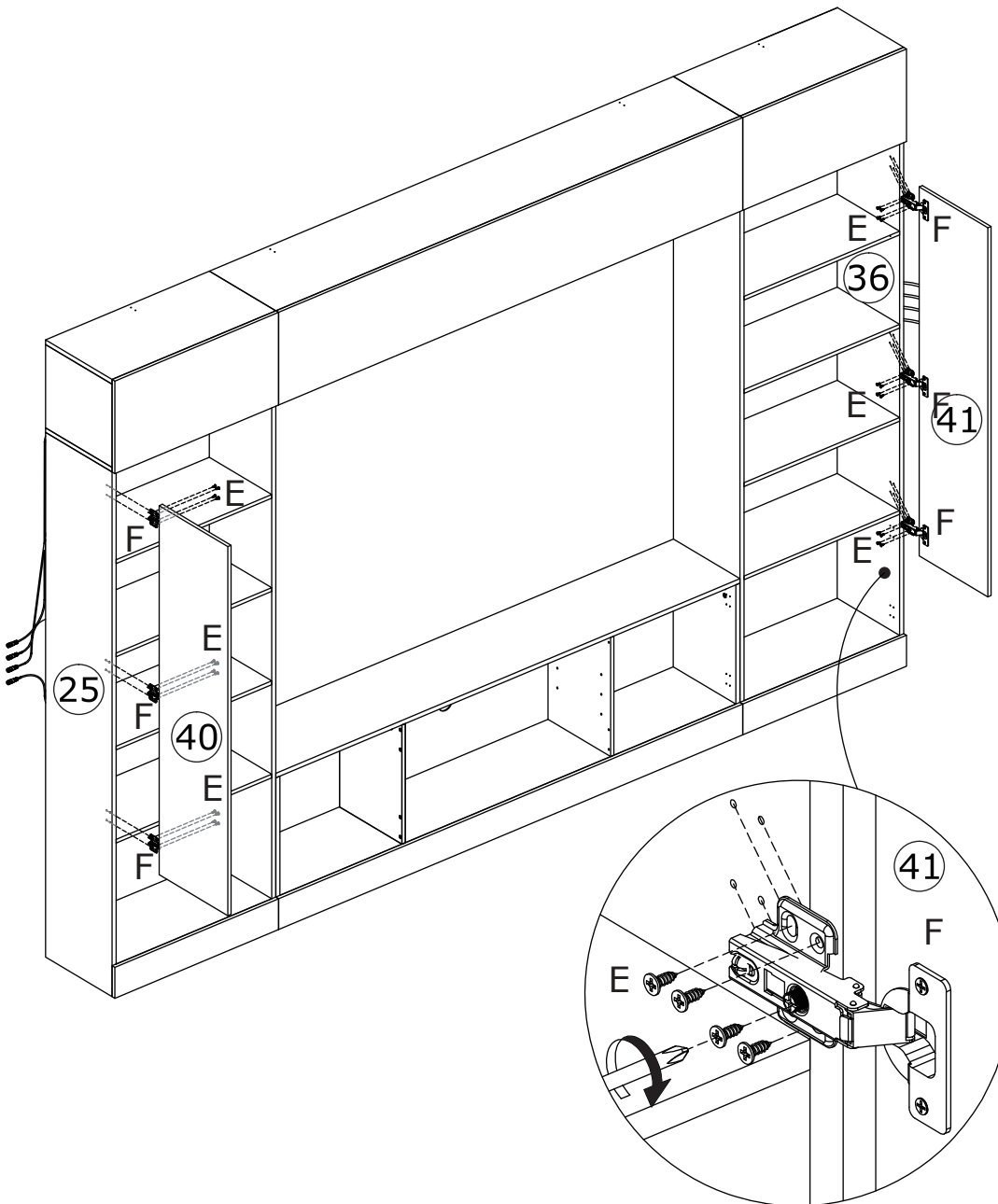
E x 24



Ø4x12mm



Assemble door 40 to board 25;  
board 41 to board 36 by fixing  
hinge with screw(E) as shown.

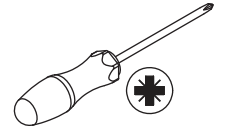


61

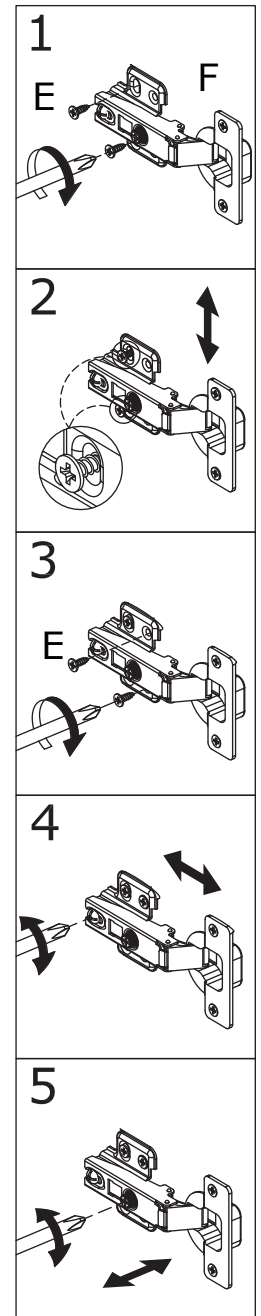
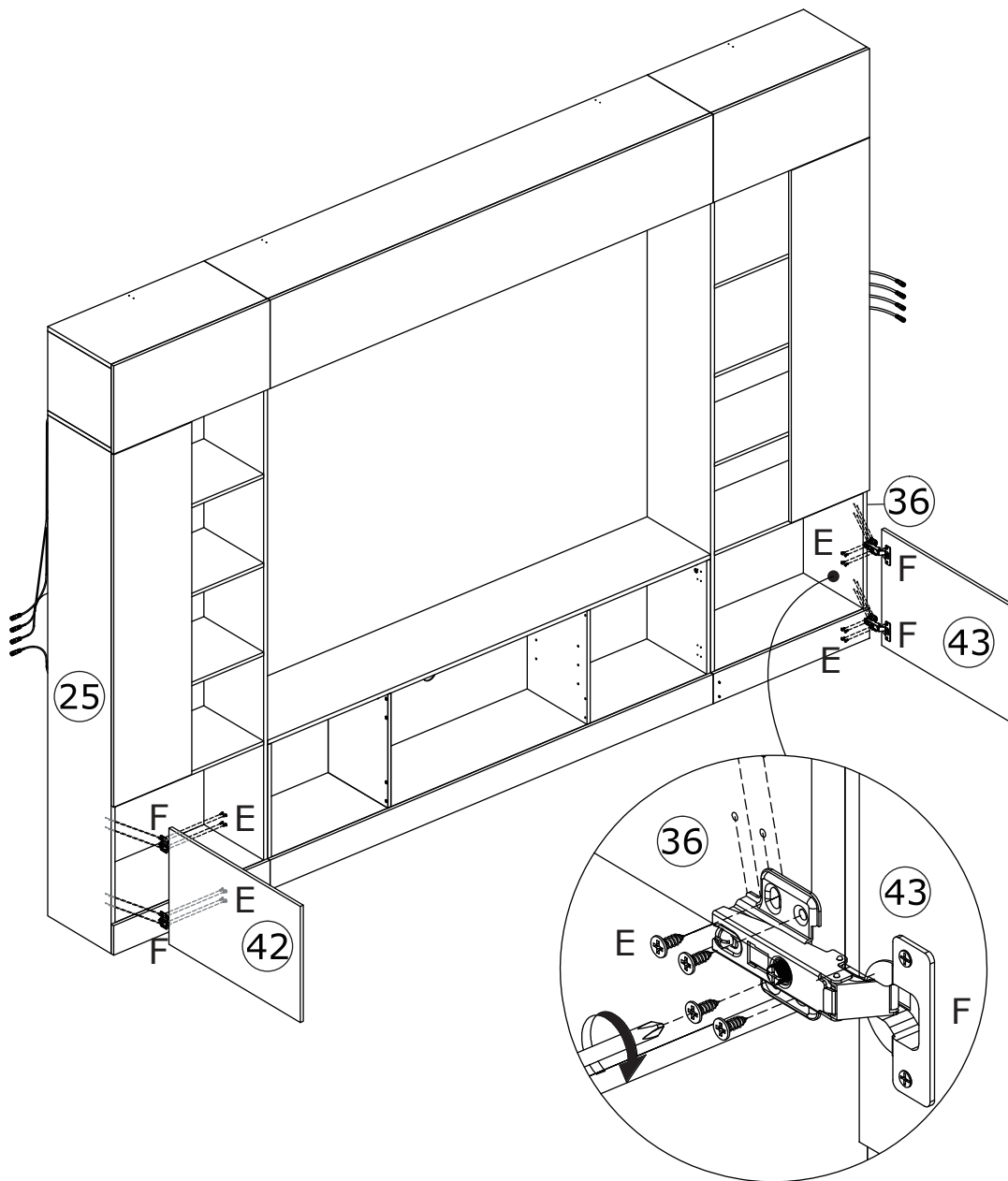
E x 16



Ø4x12mm



Assemble door 42 to board 25; board 43 to board 36 by fixing hinge with screw(E) as shown.

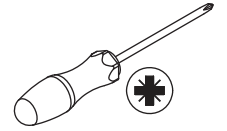


62

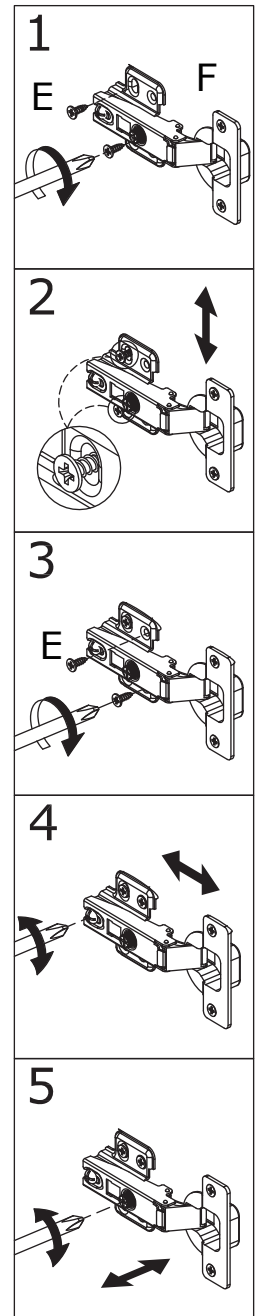
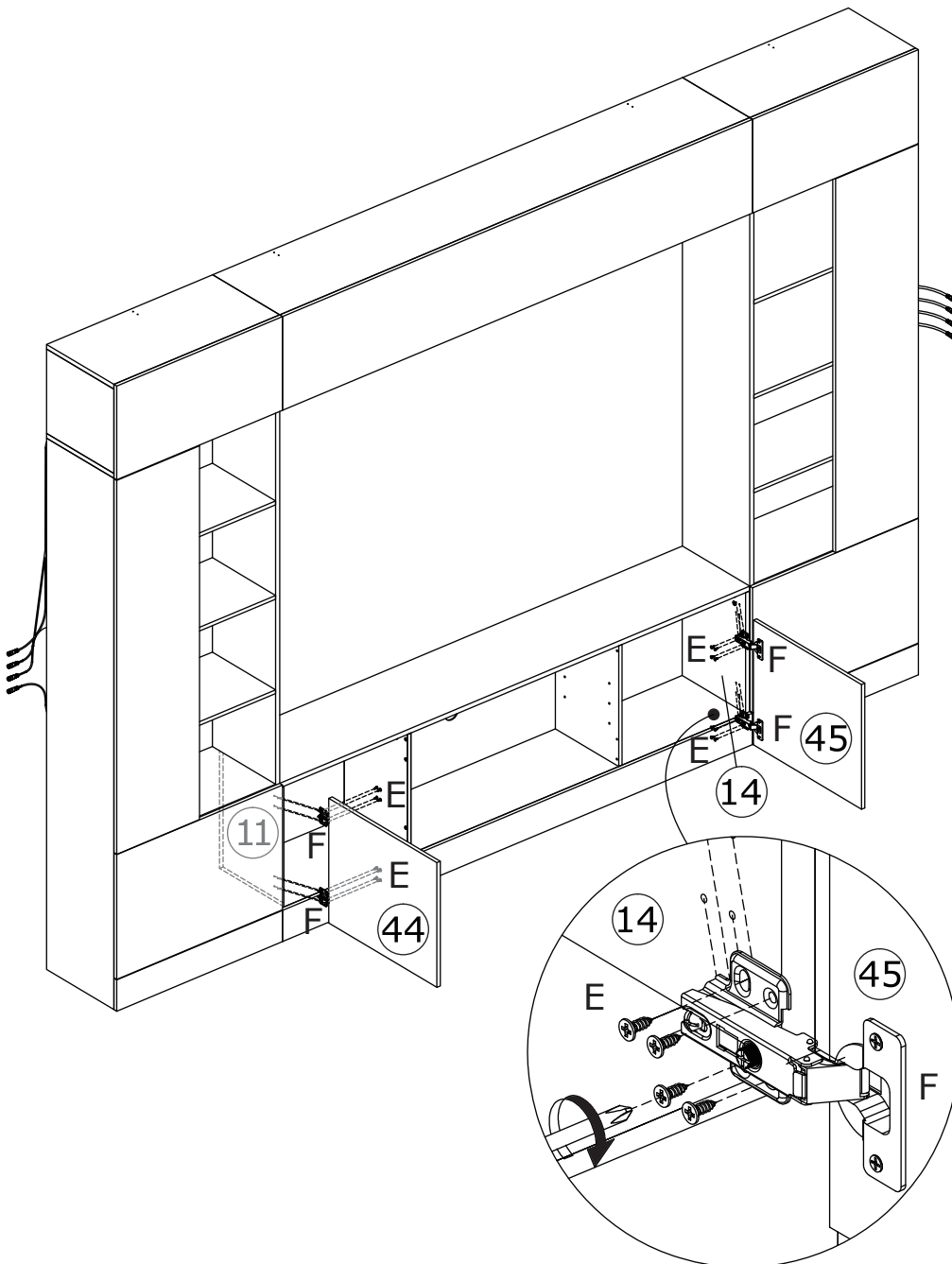
E x 16



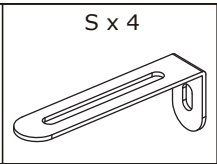
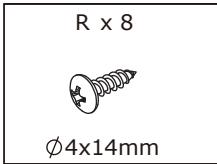
Ø4x12mm



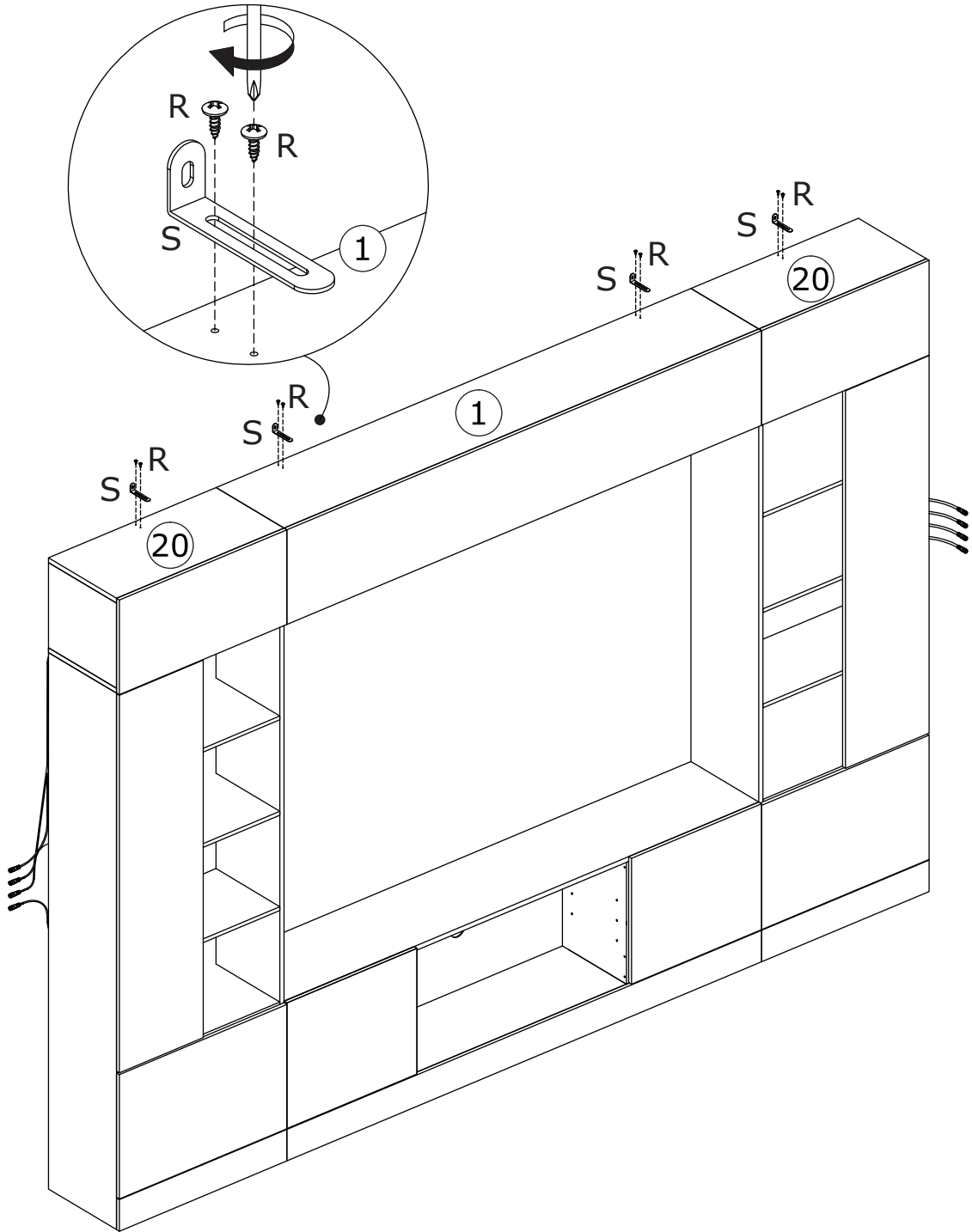
Assemble door 44 to board 11;  
board 45 to board 14 by fixing  
hinge with screw(E) as shown.



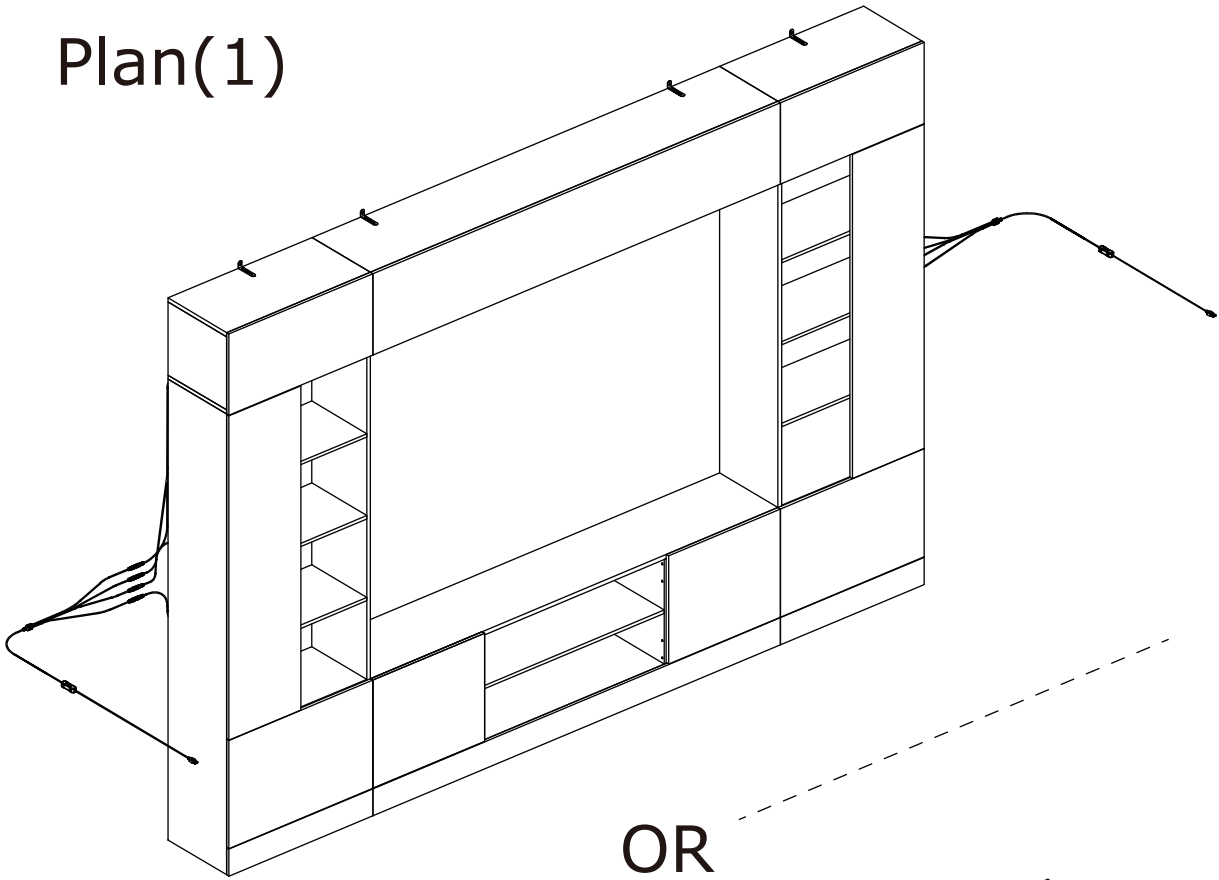
63



Fix part(S) to board 20 and 1 with screw(R) as shown.

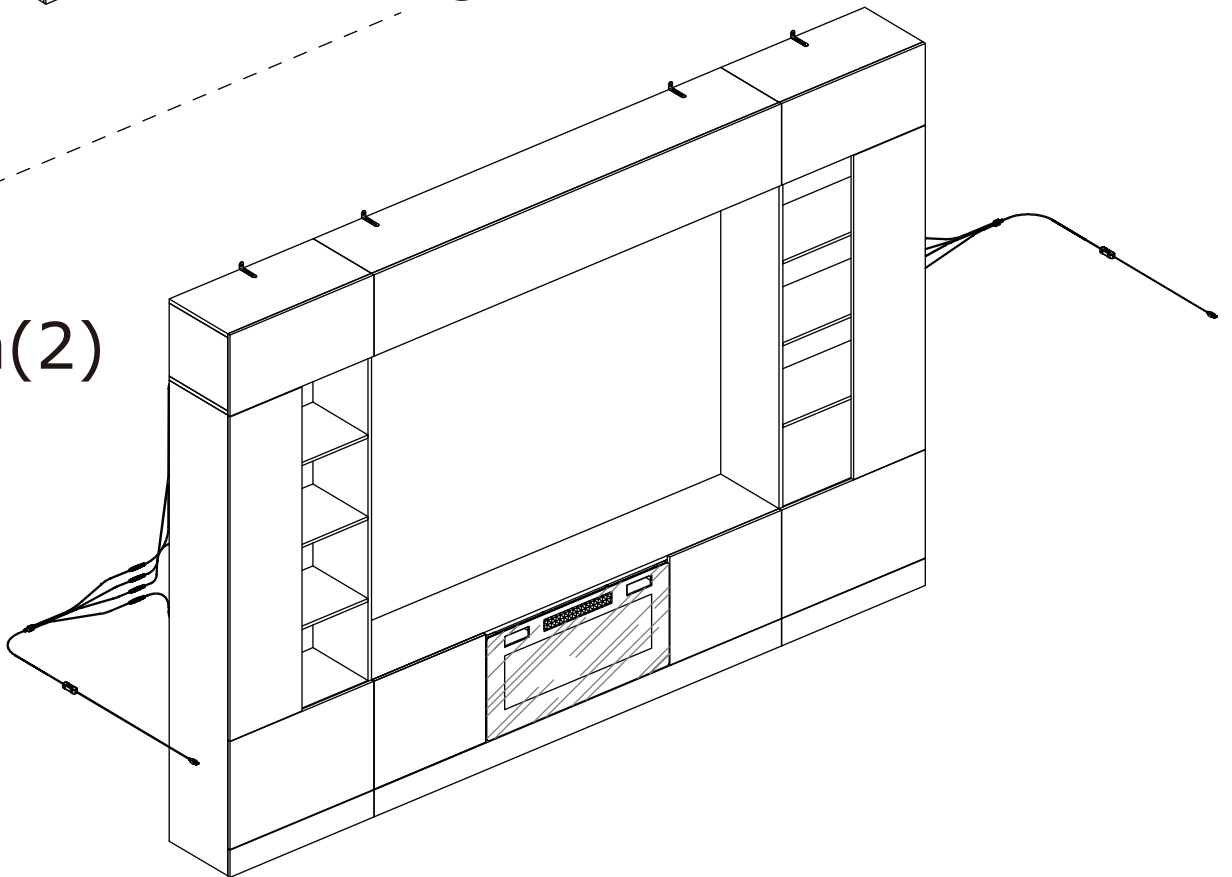


Plan(1)



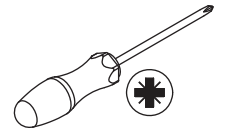
OR

Plan(2)



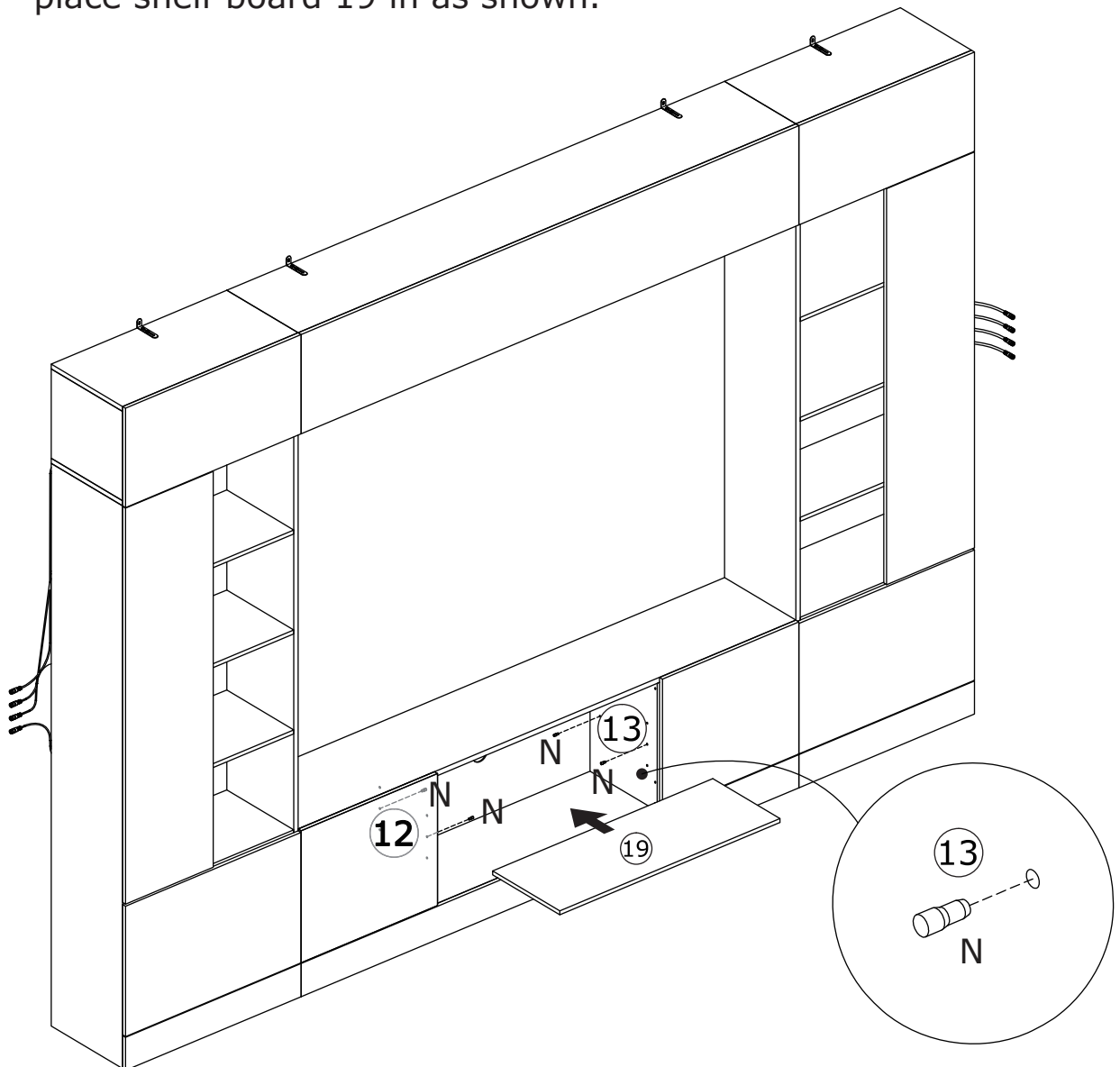
65

N x 4

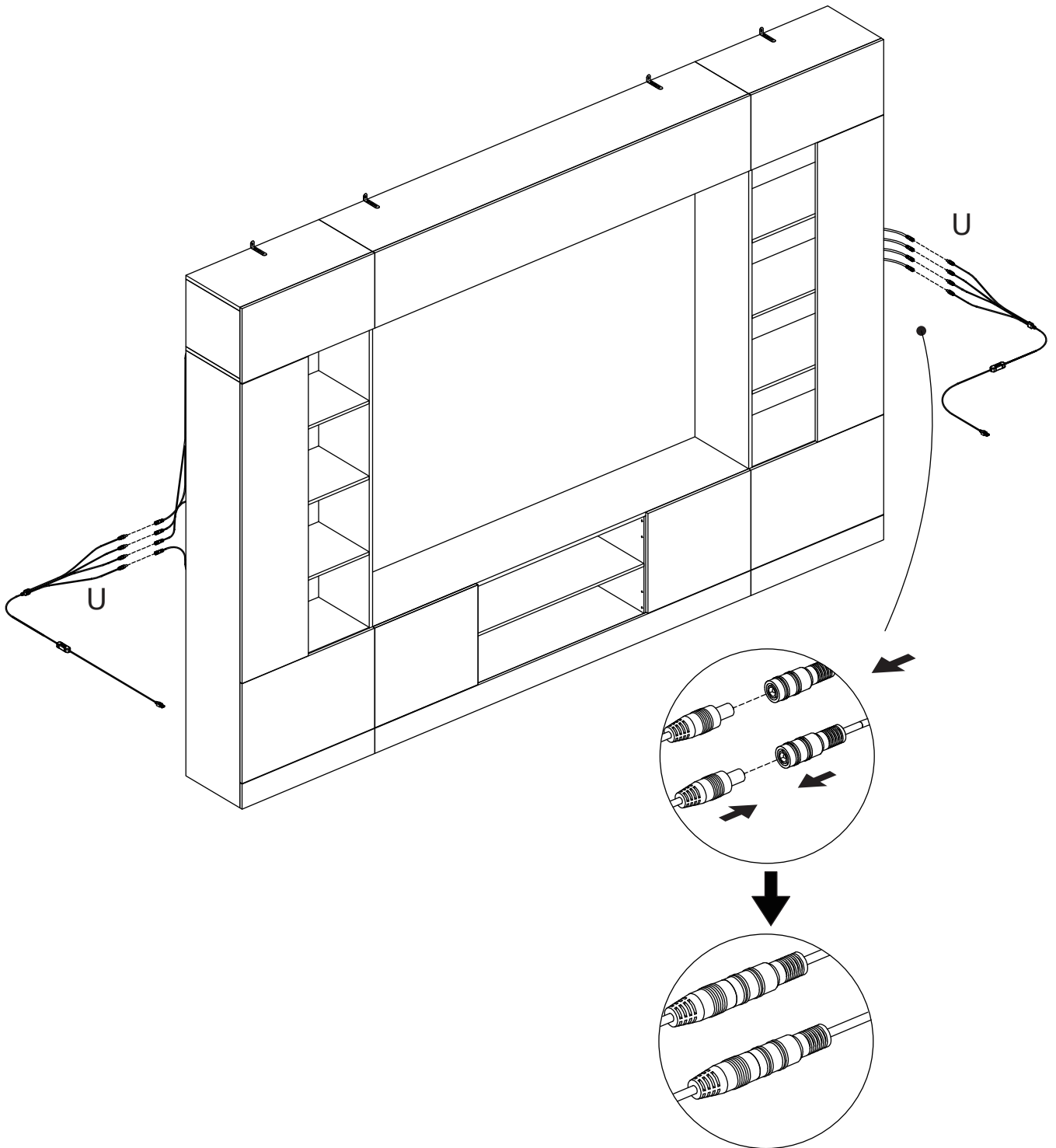
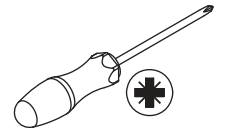
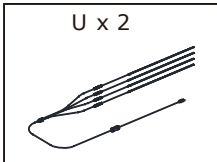


## Plan(1)

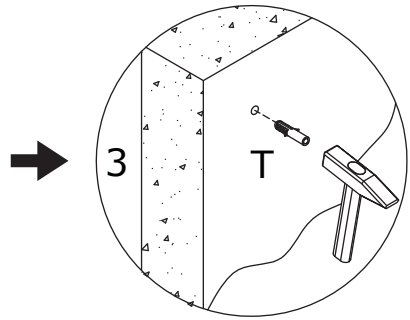
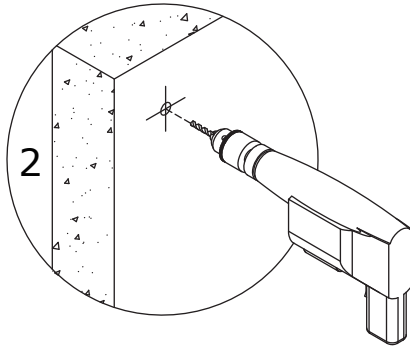
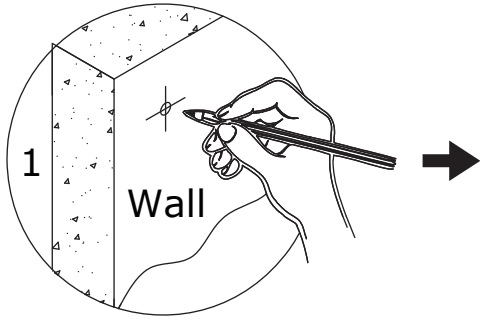
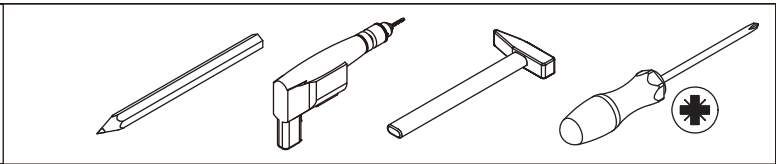
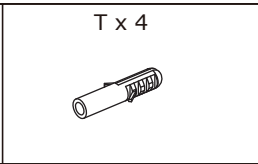
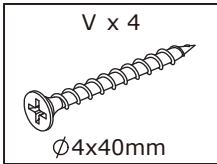
Insert layer pin(N) into board 12 and 13,  
place shelf board 19 in as shown.



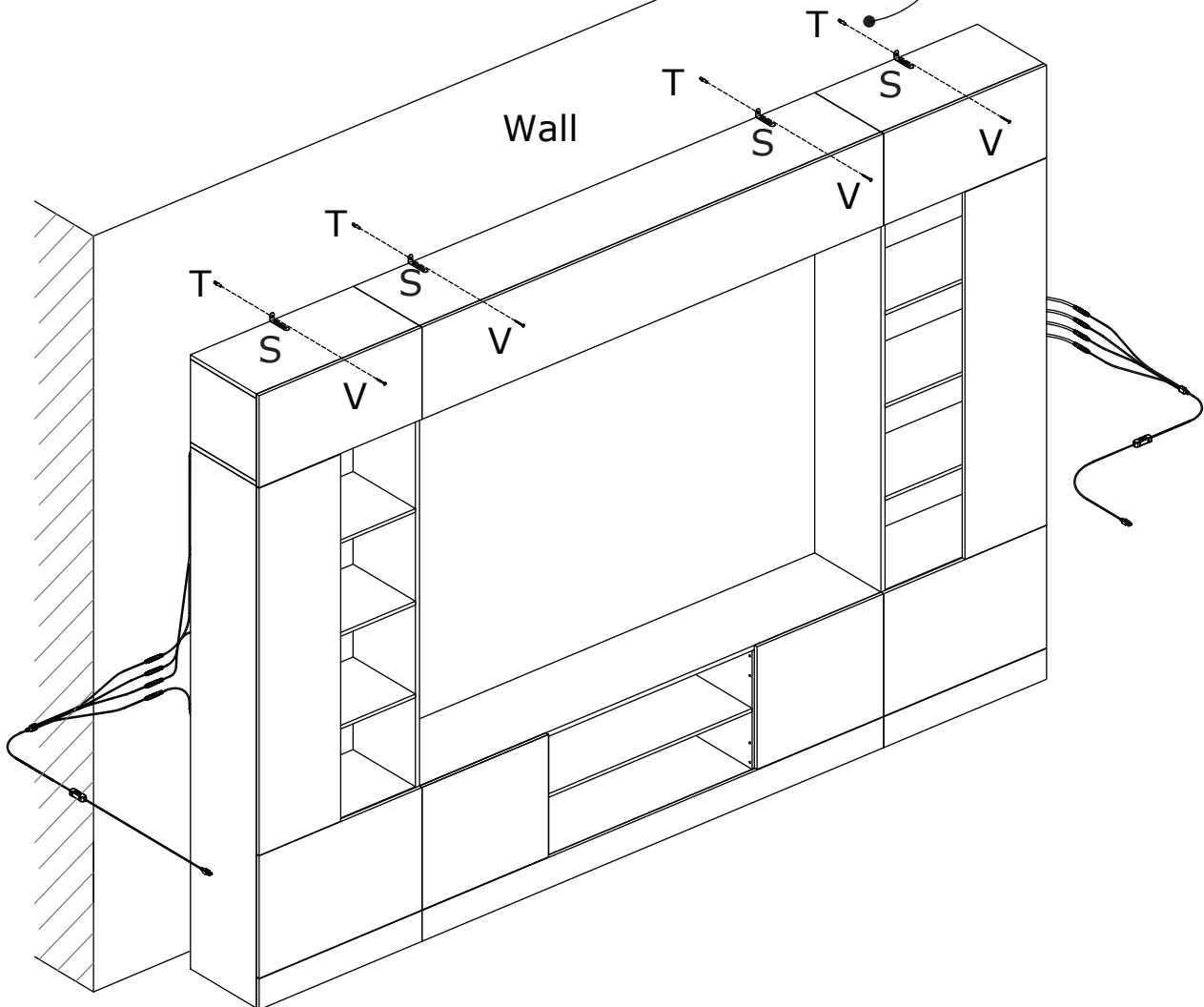
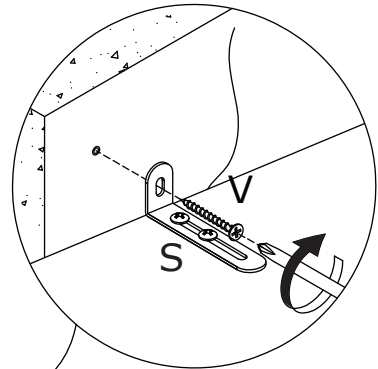
66



67

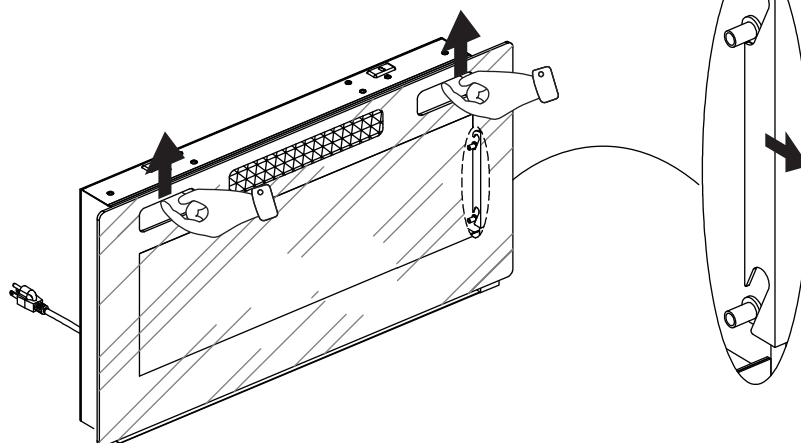
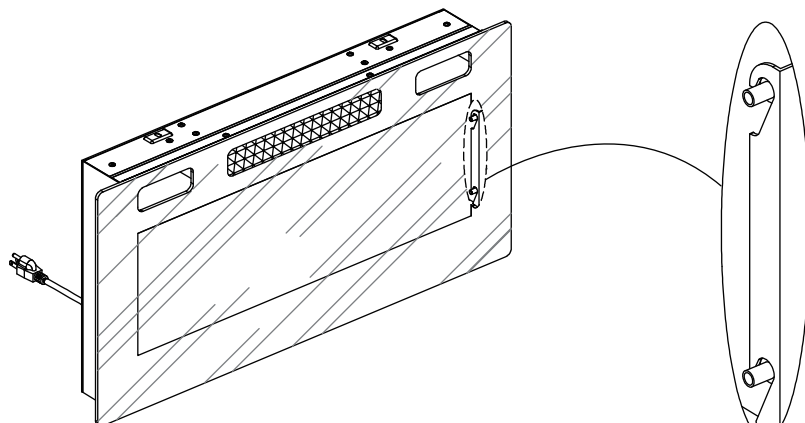


Install anti-tipping device as shown.

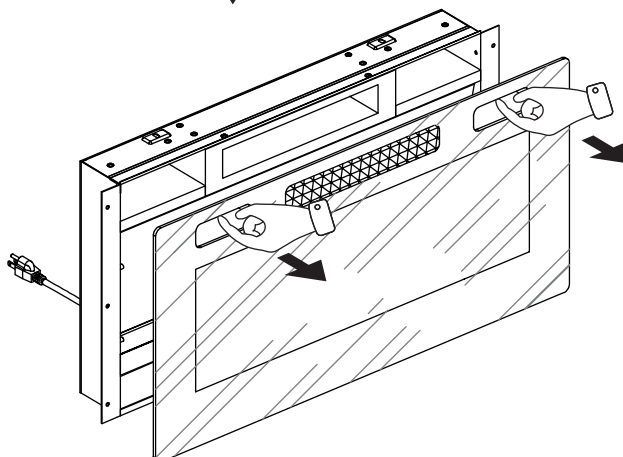


# Plan(2)

Step 1

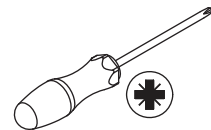


Step 2



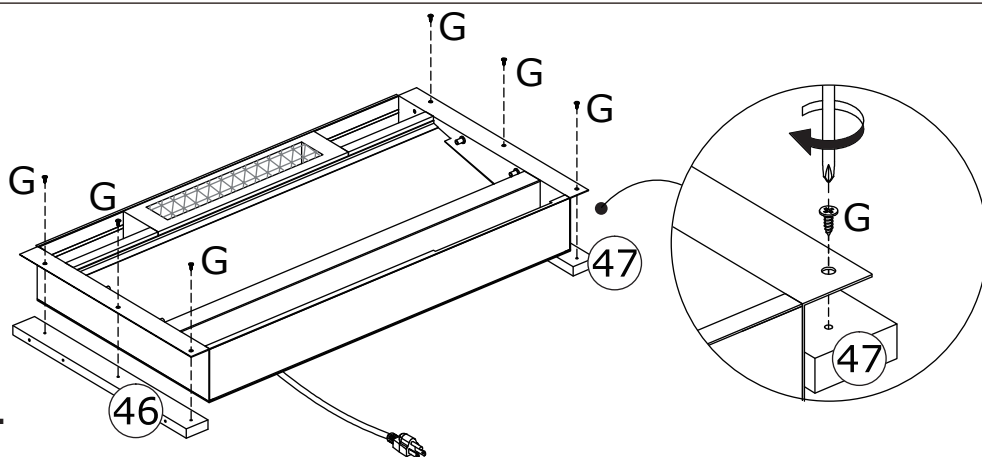
69

G x 6  
Ø3x12mm

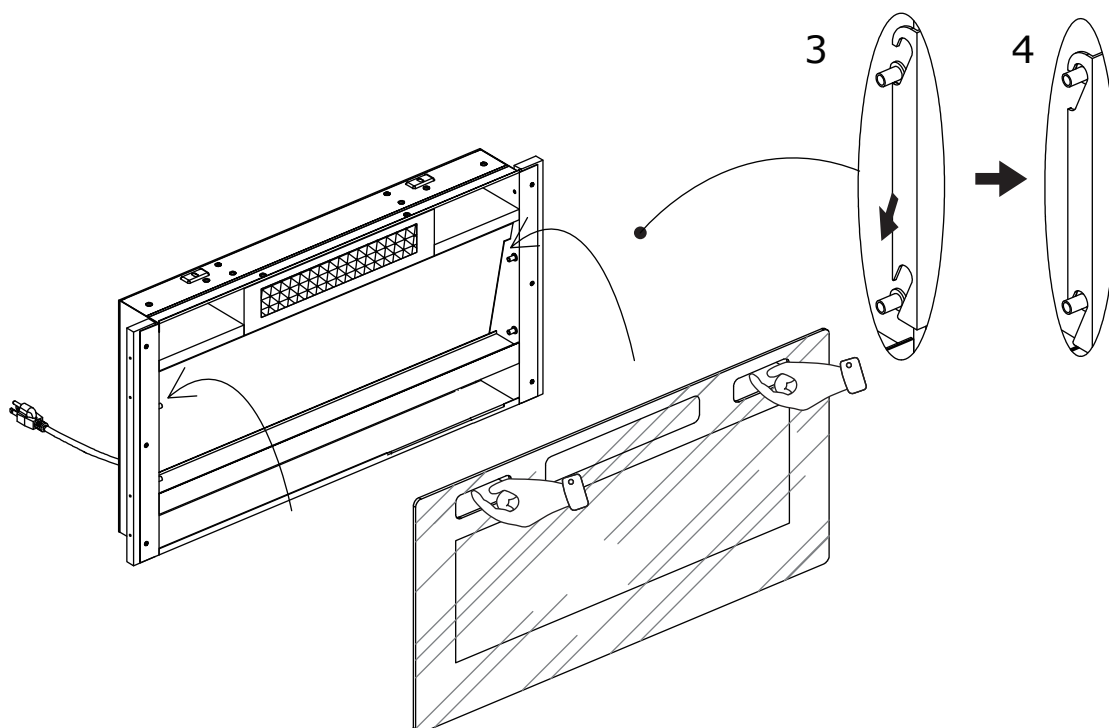


Step 1

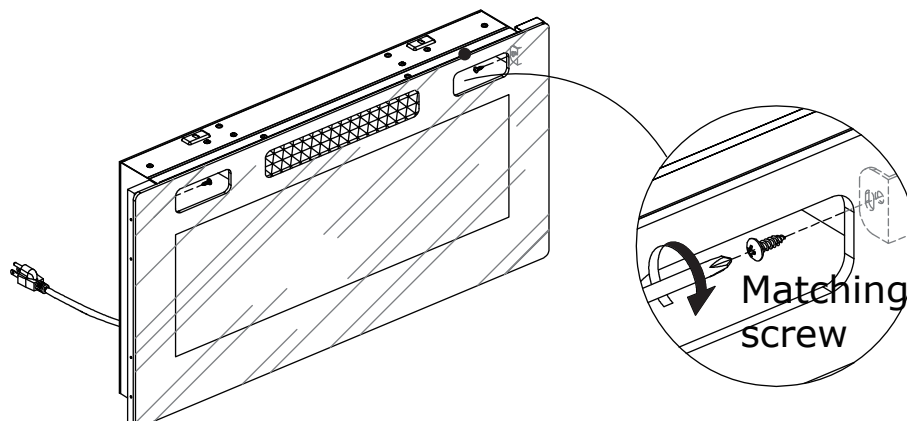
Fix board 46 and 47 to fireplace with screw(G) as shown.



Step 2

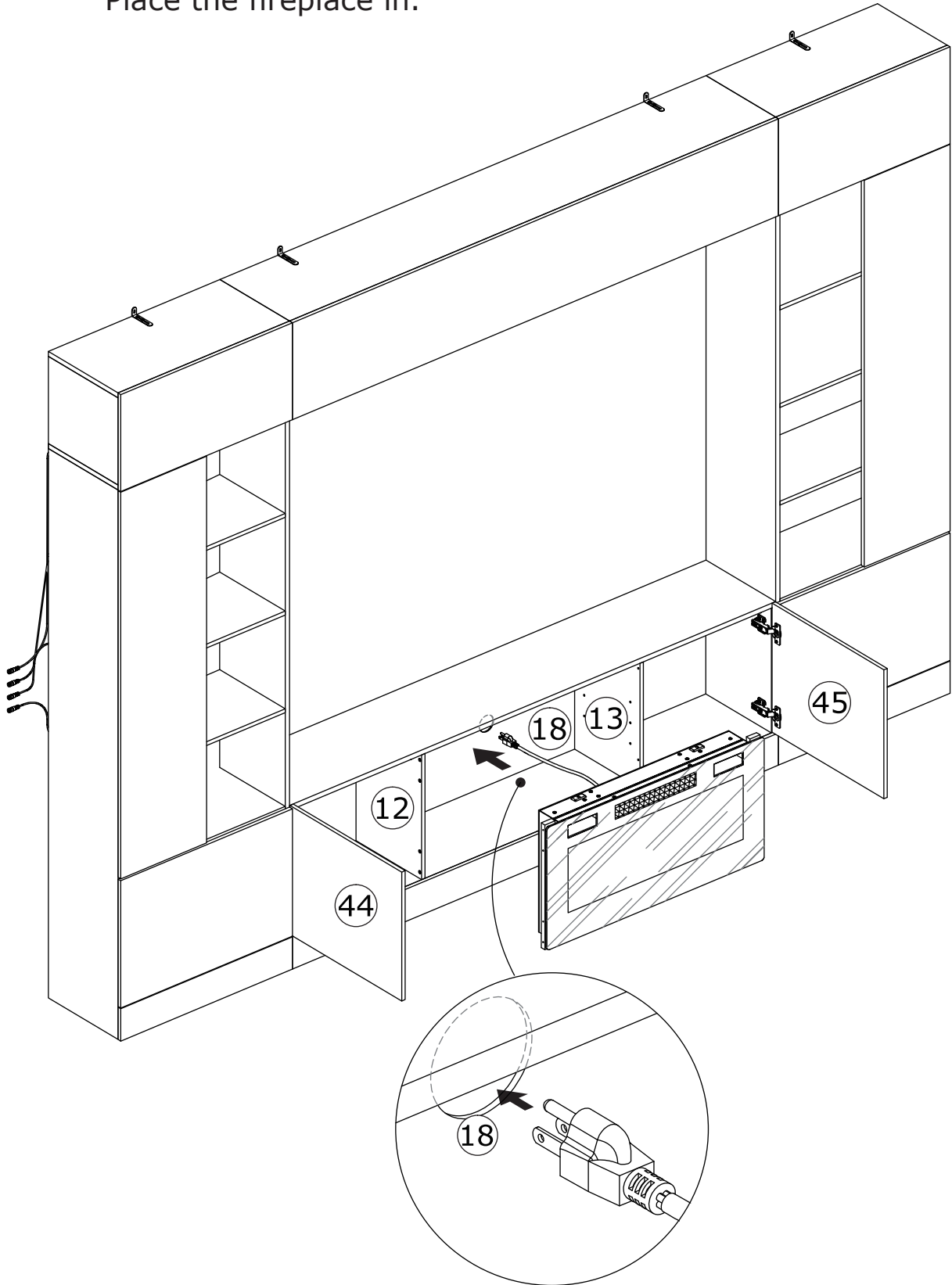


Step 3



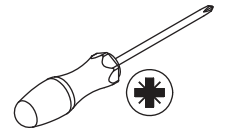
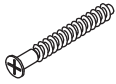
70

Place the fireplace in.

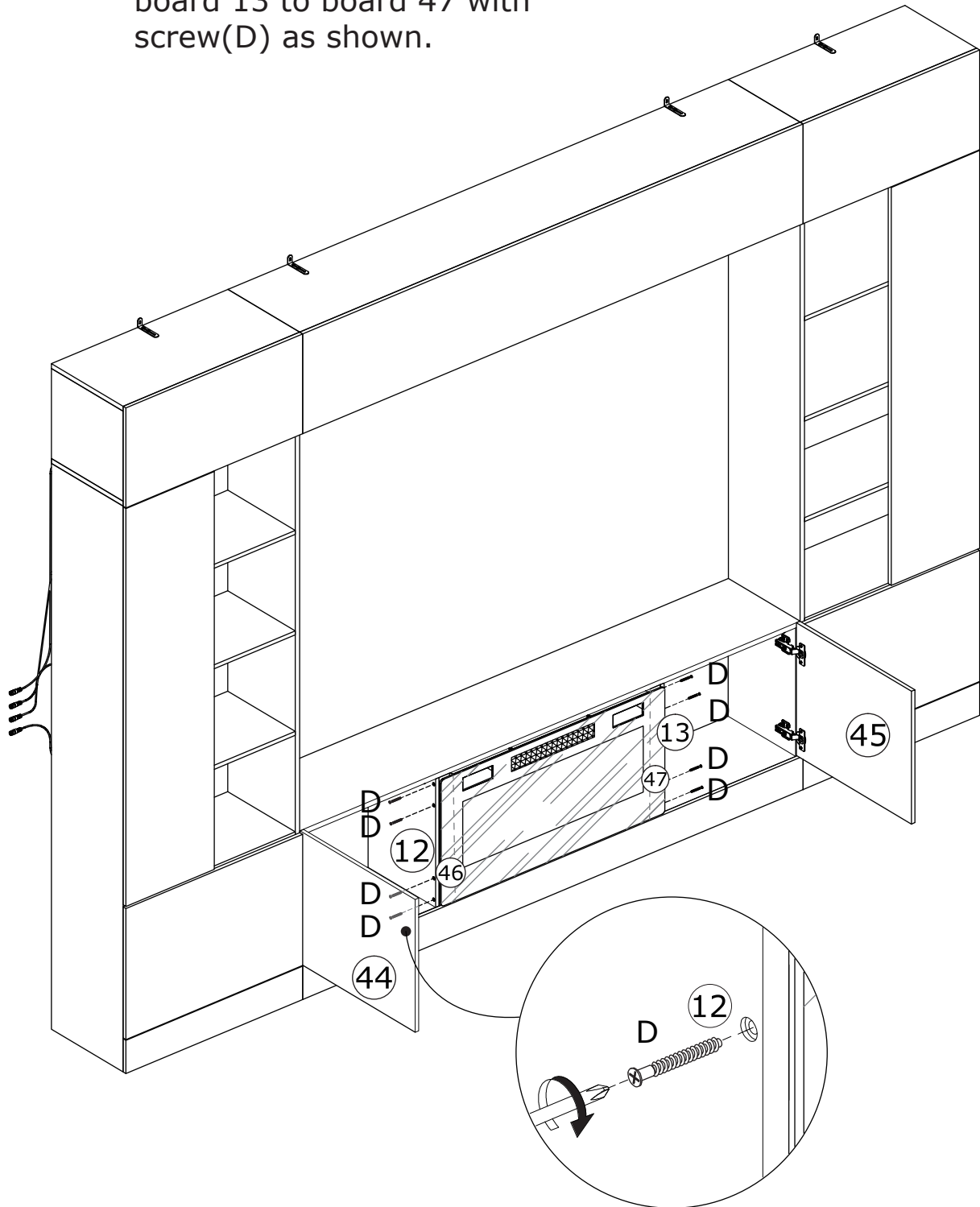


71

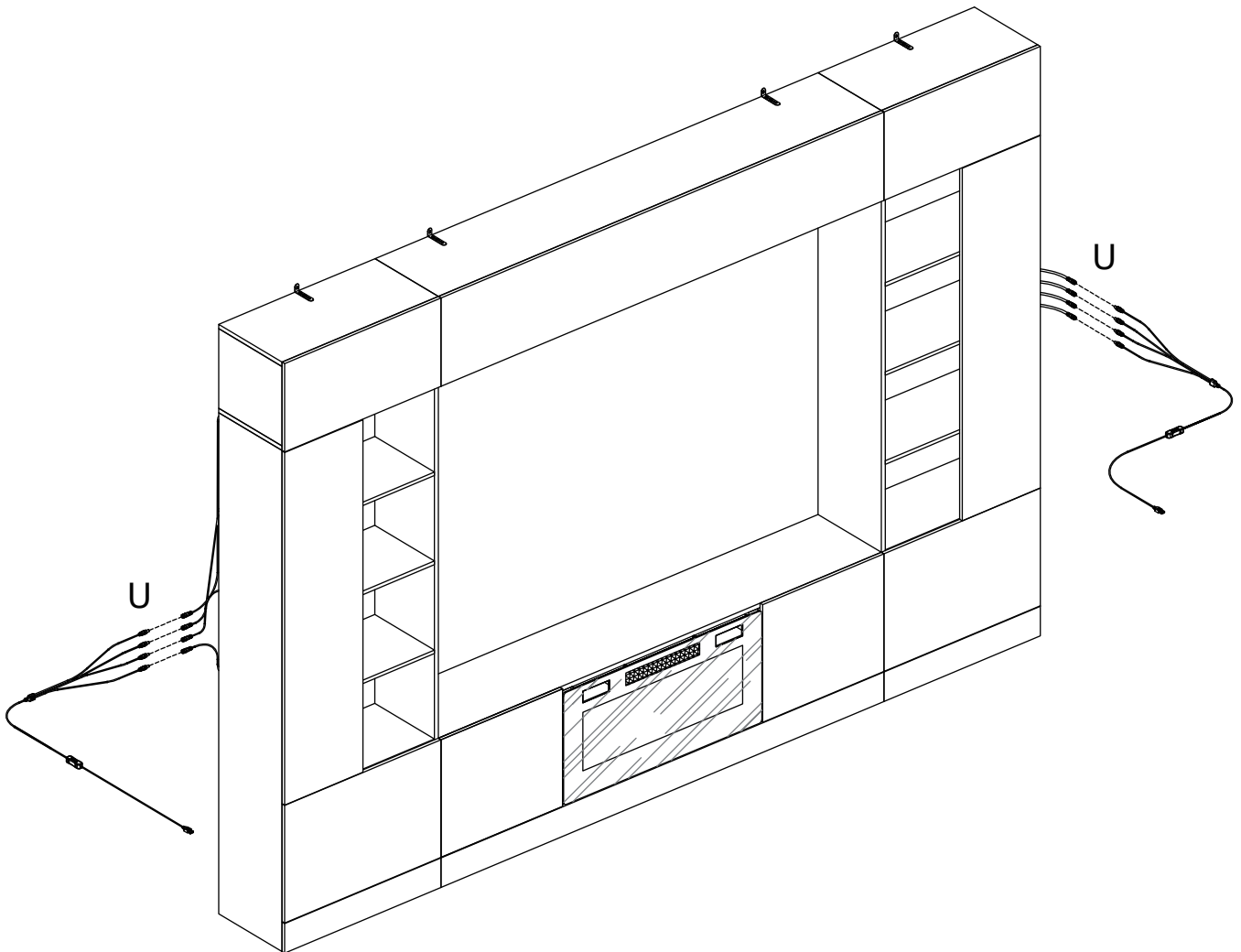
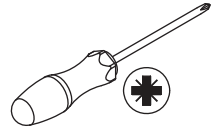
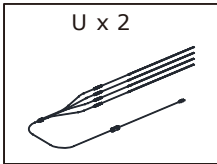
D x 8  
Ø 5x40mm



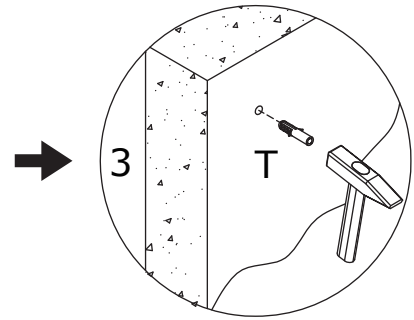
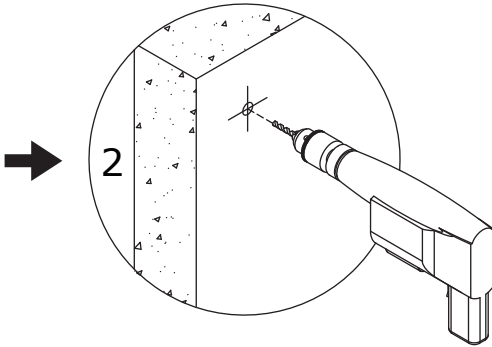
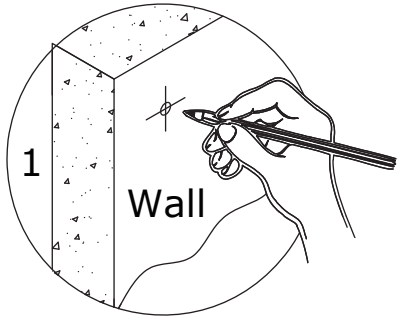
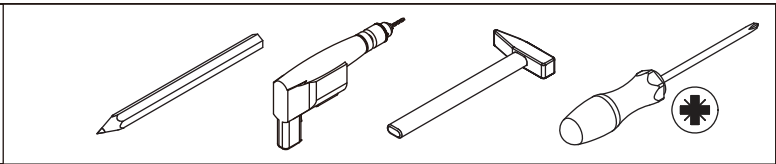
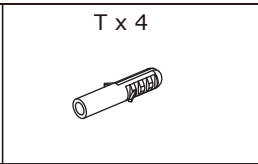
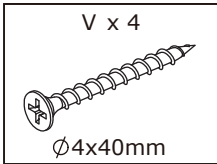
Fix board 12 to board 46;  
board 13 to board 47 with  
screw(D) as shown.



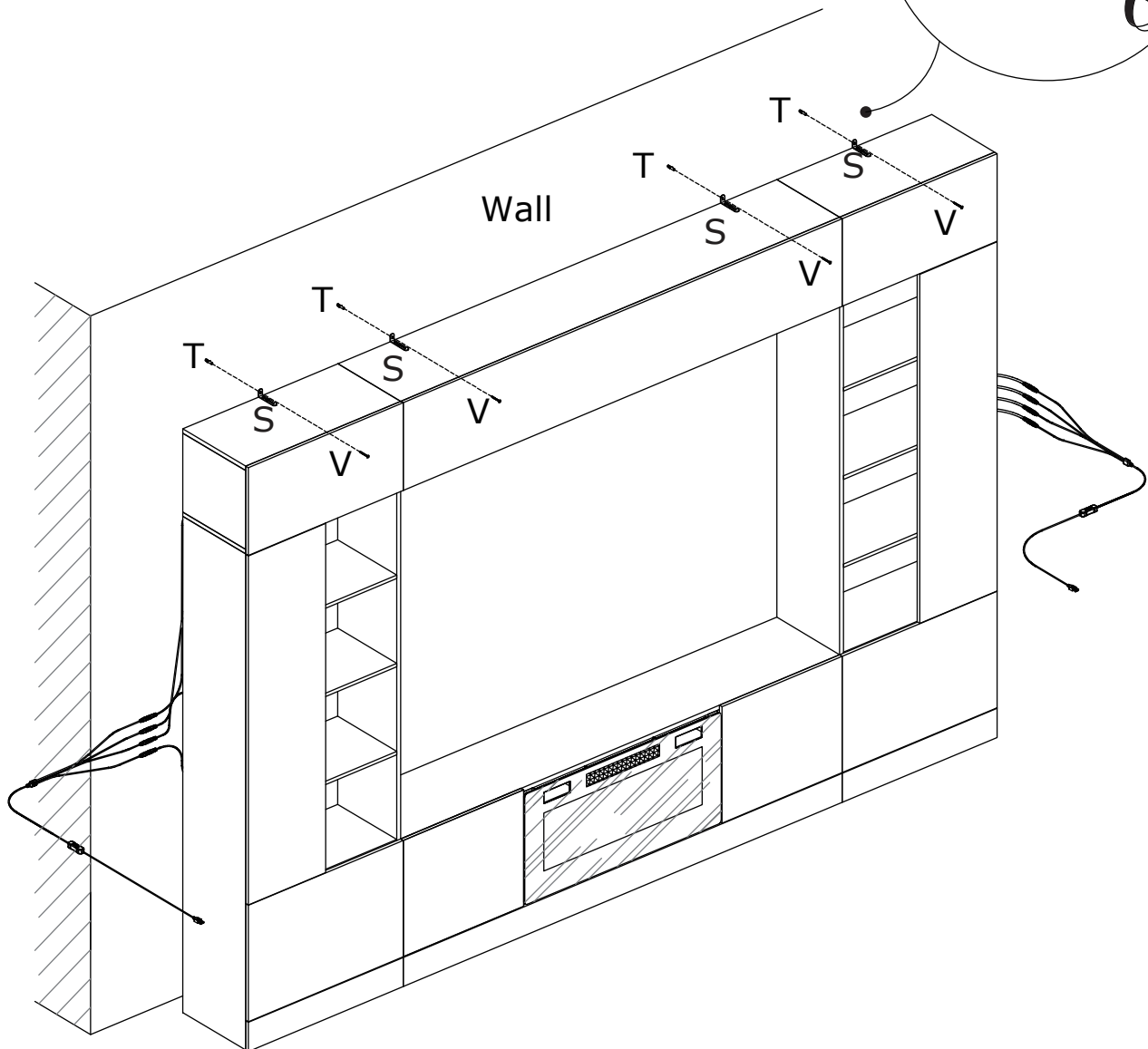
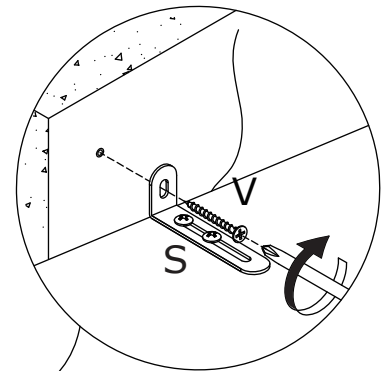
72

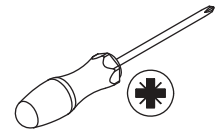


73



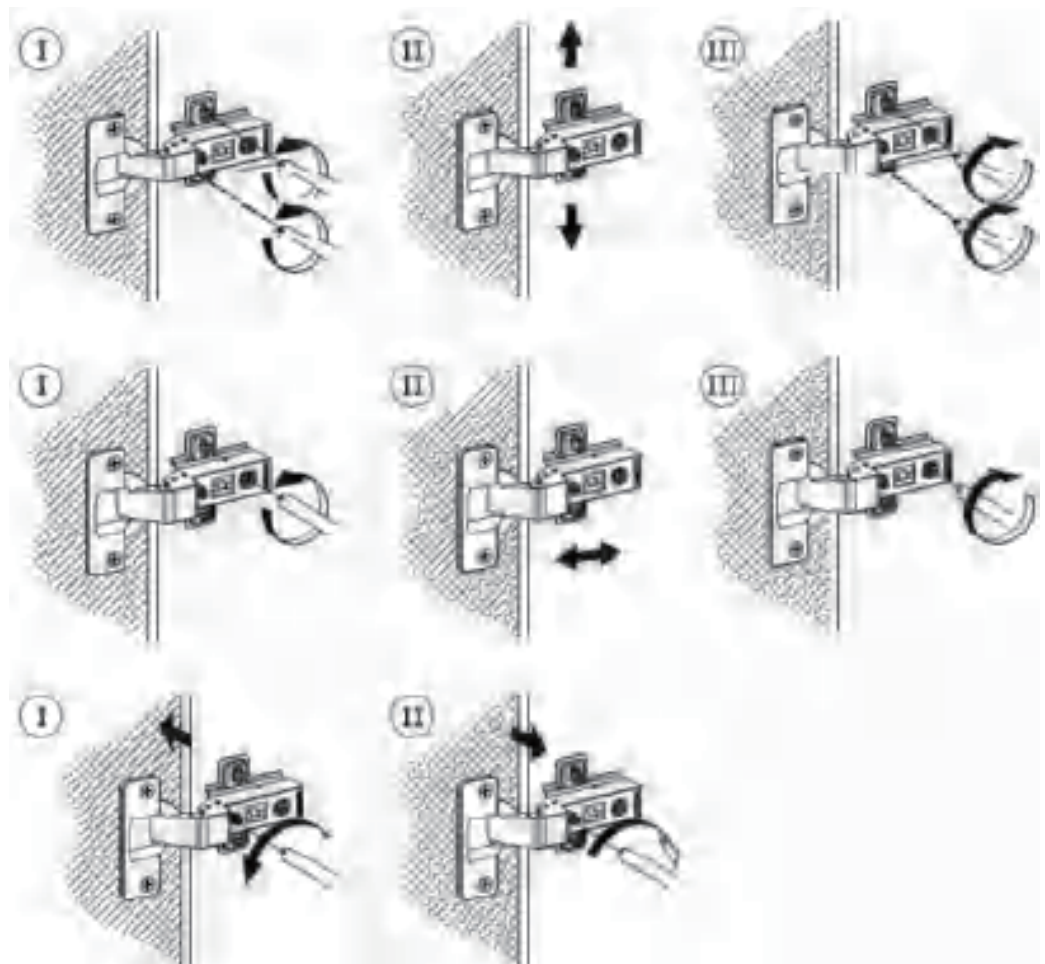
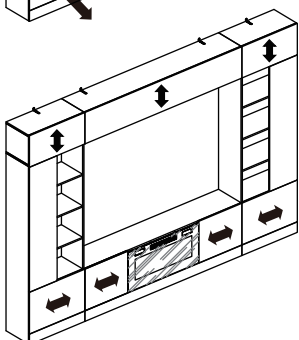
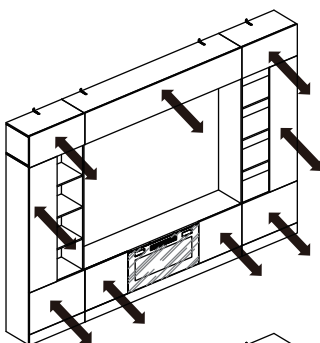
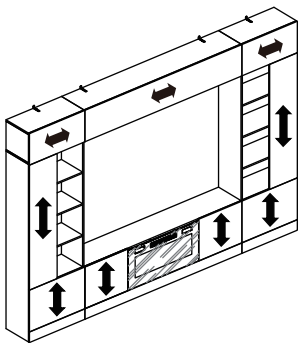
Install anti-tipping device as shown.





If doors are still not aligned if the hinges are properly correctly, please watch the video.

<https://youtu.be/n0Lb36SoODM>



# WARRANTY

## WARRANTY CLAIMS

- There is a 30-day warranty for broken furniture or any other problems that do not work properly. The warranty will start from the date of purchase which must be verified by proof of purchase.
- Before making a claim, we may be able to answer your query, simply call us. Please leave your purchase order number, along with some details of the problem, if you want a replacement part. We will arrange within 48 hours. If there is out of stock, we will reply with a shipping date.
- The product must be used in accordance with the instructions provided. For health reasons.
- For other reasons, if the furniture needs to be returned, it must be cleaned and dried and operated within 30 days of receipt.

## Type of Warranty Claim

- Failure to follow the furniture instructions will invalidate the warranty. Attention please.
- Does not include damage during installation, but includes damage during transportation.

## Scope of responsibility

- Shall not bear any responsibility for misuse or user damage and / or loss of parts during the installation of furniture.
- After using, the damage and scratches of the furniture are not covered by the warranty.

## The Warranty Relates to All Bought in The Us and Covers The Following Areas

- Sheet parts: 1 month from the date of purchase.
- Electrical parts: 1 month from the date of purchase.