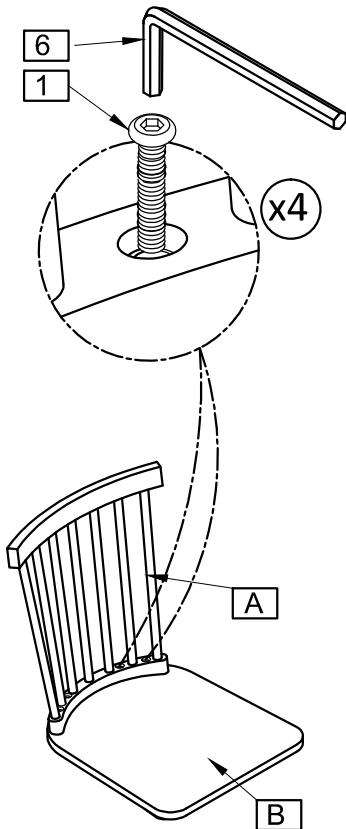


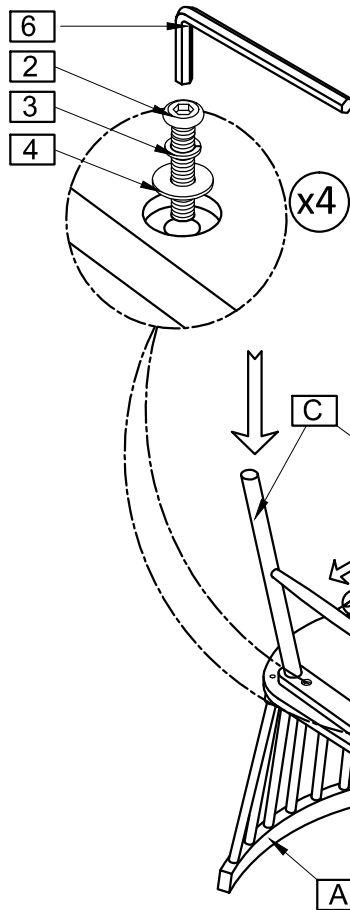
ASSEMBLY INSTRUCTIONS FOR DINING CHAIR

Please read all instructions carefully before starting the assembly process. Some parts are large and heavy and require at least two people to assemble, to prevent possible injury and/or damage to the furniture.

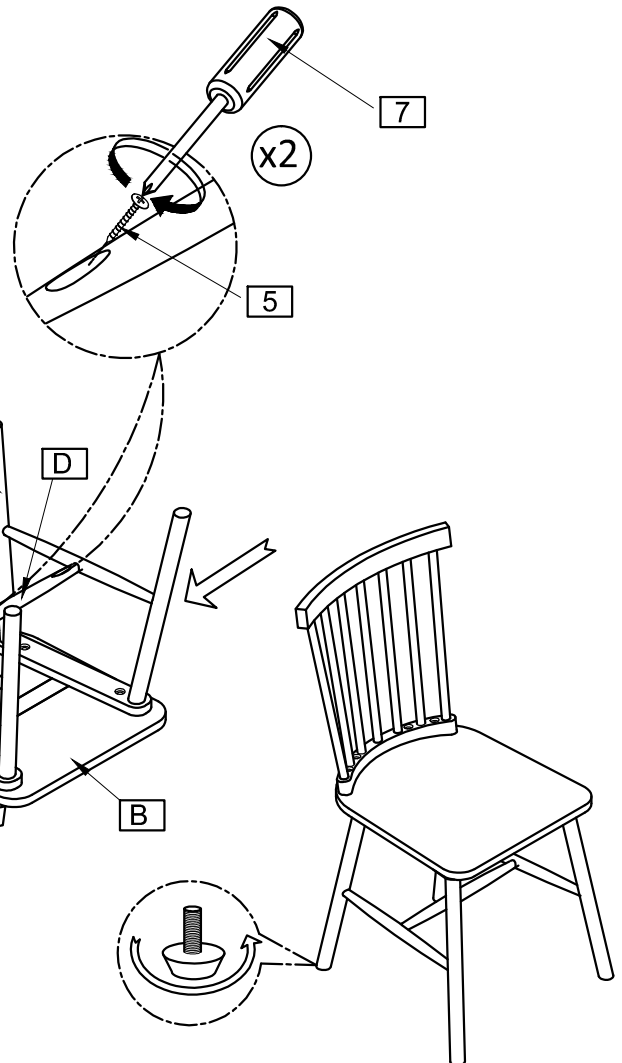
Step 1



Step 2



Step 3



PARTS LIST FOR 1 CHAIR

NO.	DRAWING	DESCRIPTION	SIZE	QTY.
1		Bolts	1/4*35	4
2		Bolts	1/4*30	4
3		Lock washer	1/4	4
4		Flat Washer	1/4	4
5		Wood Screw	4*38	2
6		Allen key	M4*60	1
7		Screwdriver		1

NO.	DRAWING	DESCRIPTION	QTY.
A		Back rest	1
B		Seat panel	1
C		Legs	2
D		Stretcher	1

CLEANING INSTRUCTIONS

Clean surfaces with a soft damp cloth. Dry immediately