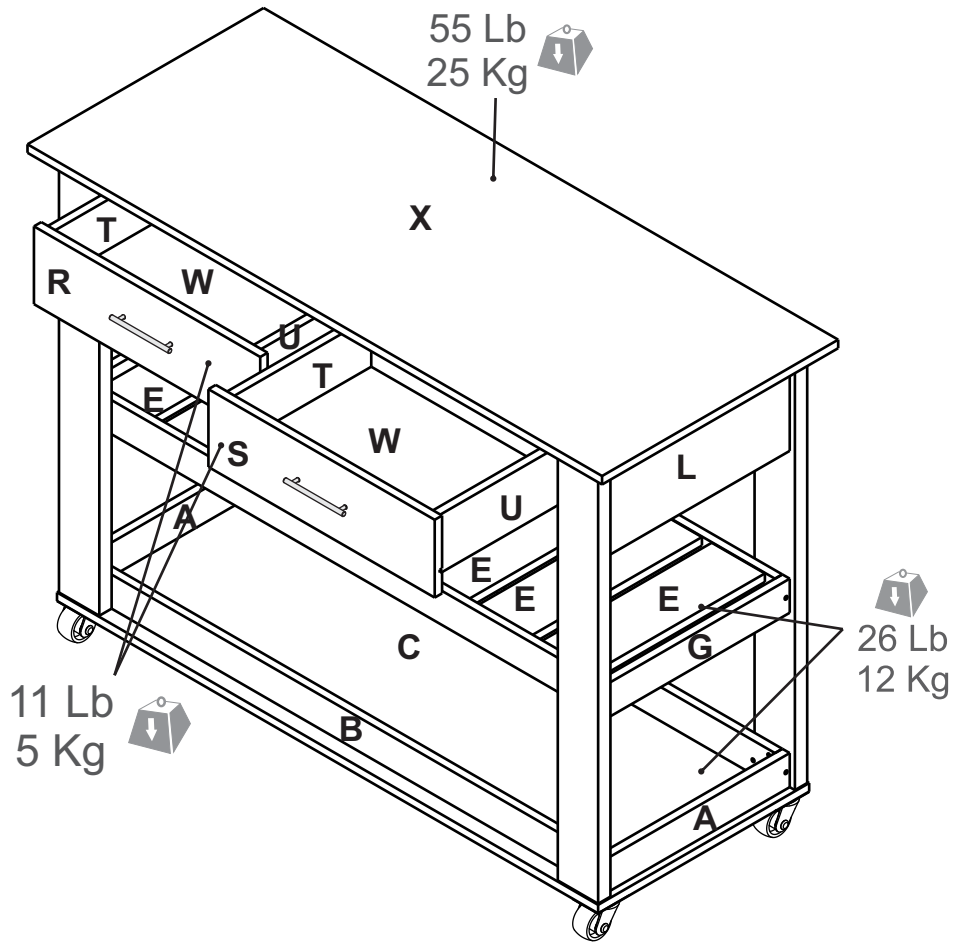


# ASSEMBLY INSTRUCTIONS AND WARRANTY MANUAL DE ENSAMBLE Y GARANTIA

## KITCHEN CART CARRO DE COCINA



### INFORMACION DE PRODUCTO

OP:

DATE:

FINISH:

### IMPORTANT!

When calling or writing us, please provide the OP number, here highlighted, so we can offer the most efficient response.

### ¡IMPORTANTE!

Al llamar o escribirnos, por favor darnos el número de OP, aquí resaltado, con el fin de ofrecerle la respuesta mas eficiente.



**DO NOT RETURN TO STORE**

Do not contact store for parts or assembly assistance. Individual stores do not stock parts. For fast, efficient and friendly service please contact us. If your place of residence is any other country but the United States of America or Canada, please contact your retailer immediately and inform them about your problem. They will provide instructions applicable to your country of where and how to obtain spare parts or help in assembling our products.

**NO DEVUELVA ESTE PRODUCTO A LA TIENDA**

Si usted reside en los Estados Unidos de América o Canadá, por favor no regrese o llame telefónicamente a su vendedor para solicitar piezas de repuesto o para ayuda durante el ensamblaje. Su vendedor no tiene inventario de repuestos. Para una rápida y eficiente ayuda por favor comuníquese con nuestros números. Si usted reside en cualquier otro país que no sea Los Estados Unidos de América o Canadá por favor comuníquelo a su detallista inmediatamente de su problema. Él le dirá adonde dirigirse en cada país para obtener piezas de repuesto o ayuda para ensamblar su mueble.

**NE PAS RETOURNER CE PRODUIT AU MAGASIN**

Ne pas contacter le magasin afin d'obtenir des pièces ou une assistance technique. Les magasins ne possèdent pas de pièces en stock. Pour un Service après-vente rapide, efficace et amical, veuillez contacter nos numéros. Si vous résidez à l'extérieur des États-Unis ou Canada veuillez contacter immédiatement votre revendeur et lui expliquer votre problème. Il vous donnera des renseignements applicables sans votre pays et comment obtenir des pièces de rechange ou une assistance technique pour le montage de produits fabriqués.

**Five (5) Year Limited Warranty  
United States of America and Canada  
Thank you for your purchase of our product!**

We are confident you will appreciate the fine quality and craftsmanship of your selection. We stand proudly behind each and every product we manufacture and we guarantee our work through the following five (5) year limited warranty. We appreciate your business and look forward to your business in the years ahead.

In order to provide you with timely assistance, please thoroughly inspect your furniture for missing or damaged parts immediately after opening the carton. To receive replacement or missing part(s) under this warranty, call our Consumer Service Department, TOLL FREE or contact us via e-mail. Please have the Model and Part Number, found in the Instruction Sheet, available for your reference. You will also need your sales receipt or other proof of purchase. Replacement part(s) will be shipped to you at no charge with assuming all shipping and handling charges.

All our products are warranted to the end user at the time of purchase and for a period of five (5) years thereafter.

We warrant to you, the original purchaser, that our furniture and all of its parts and components are free of defects in material or workmanship. "Defects" as used in this warranty, is defined as any imperfections which impair the use of the furniture or product.

Our warranty is expressly limited to the replacement of furniture parts and components. For five (5) years after the date of purchase, we will replace any part described on the enclosed Furniture Parts List that is defective in material or workmanship.

This warranty applies under conditions of normal use. Our furniture products are not intended for outdoor use. The warranty does not cover: 1) defects caused by improper assembly or disassembly; 2) defects occurring after purchase due to product modification, intentional damage, accident, misuse (including without limitation improper moving or sliding), abuse, negligence or exposure to the elements; 3) cosmetic damage; or 4) labor or assembly costs.

EXCEPT AS PROVIDED HEREIN, WE MAKE NO EXPRESS WARRANTIES, AND ANY IMPLIED WARRANTY, INCLUDING WITHOUT LIMITATION AN IMPLIED WARRANTY OR MERCHANTABILITY OR FITNESS FOR A PARTICULAR PURPOSE, IS LIMITED IN ITS DURATION TO THE DURATION OF THE WRITTEN LIMITED WARRANTY SET FORTH HEREIN.

Except as provided herein, we shall have no liability or responsibility to the purchaser or any other person or entity with respect to any liability, loss of damage caused or alleged to be caused directly or indirectly by use of the product, including, but not limited to, any incidental or consequential damages, some states do not allow limitation on how long an implied warranty lasts or the exclusion of limitation of incidental or consequential damages, so the above limitation and exclusion may not apply to you.

This warranty gives you specific legal rights. You may have other rights which vary from state to state.

**-This instruction manual contains important information. Follow the consecutive order.  
Please read and keep for future reference.**

**-Este Manual contiene información importante. Siga el orden consecutivo de las instrucciones.  
Por favor léalo y guárdelo para consultas en el futuro.**



Two or more people are required to assemble and/or move this unit.

Se requiere de dos o más personas para armar y mover este mueble.



Unpack and assemble this unit in an spacious area. Assemble the unit on top of the empty box to prevent scratches.

Desempaque y arme este mueble en un area espaciosa. Arme el mueble sobre su caja, para no rayarlo.



Protect furniture from water and moisture. This furniture must not be used outdoors.

Proteja el mueble del agua y de la humedad. No ubique este mueble al aire libre.



Do not expose it to heat.

No lo exponga al calor.



Do not hit or tap with a hammer, unless it is indicated.

No lo golpee ni lo martille.



Do not paint or use abrasive elements to clean this furniture.

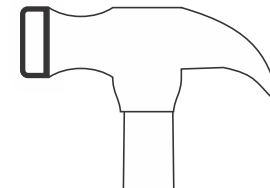
No pinte ni use elementos abrasivos para limpiar este mueble.



Do not drag or climb on your furniture. If you need to move it, lift it.

No lo arrastre ni se suba al mueble. Si necesita moverlo, levántelo.

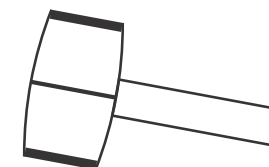
### **TOOLS REQUIRED HERRAMIENTAS REQUERIDAS**



**HAMMER/  
MARTILLO**



**PHILLIPS SCREWDRIVER /  
ATORNILLADOR DE ESTRELLA**



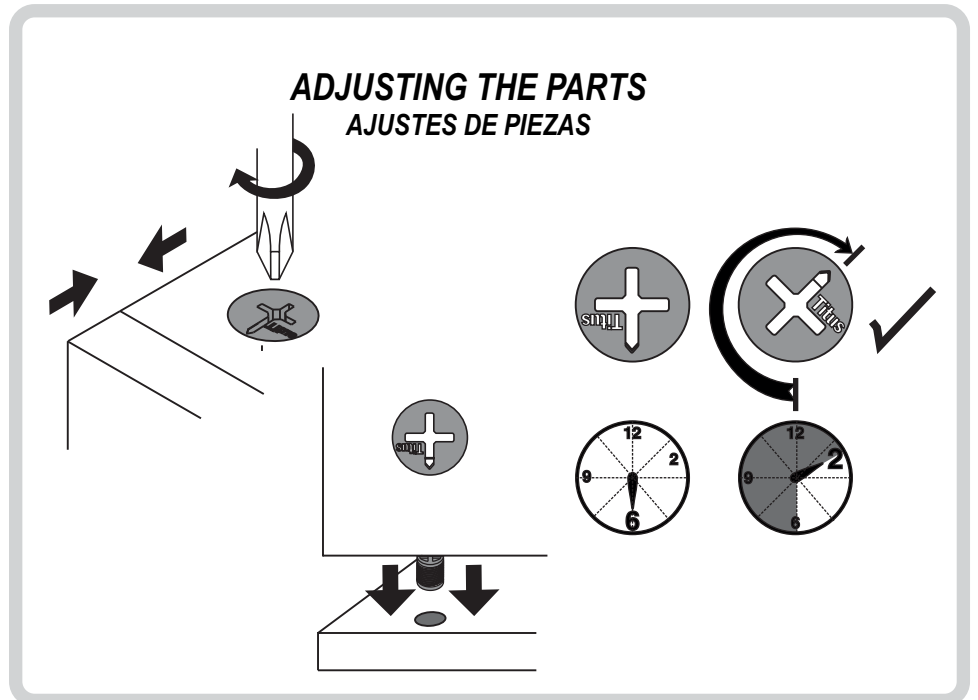
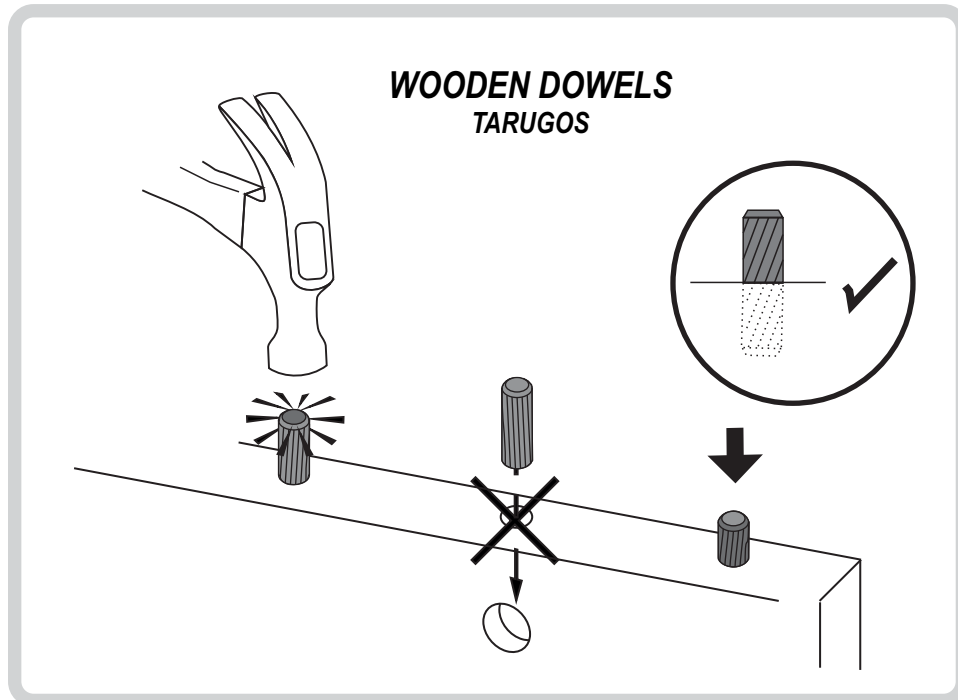
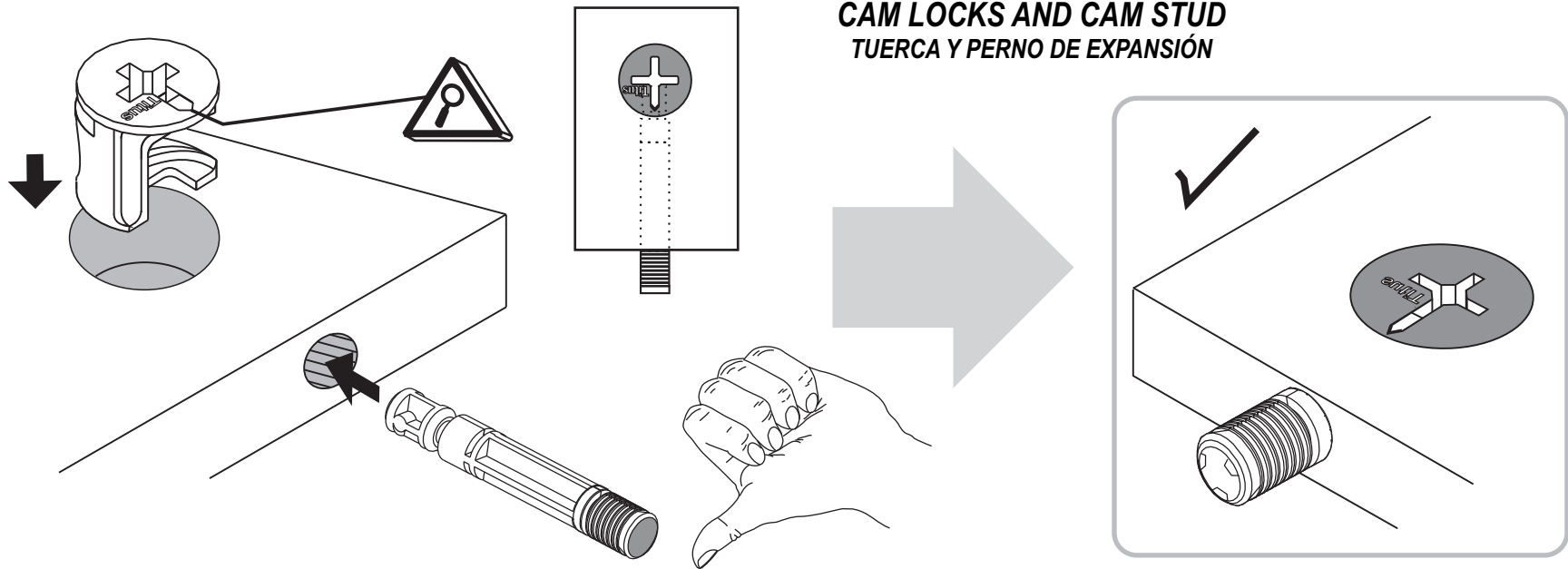
**RUBBER  
HAMMER/  
MARTILLO  
DE GOMA**

**IMPORTANT:** Before proceeding to assemble this unit, read the instructions and inspect carefully the parts and hardware thoroughly. If any part is missing, do not return to the store, please call toll free. In the USA, Canada, Puerto Rico and US Virgin Islands, visit our Web page.

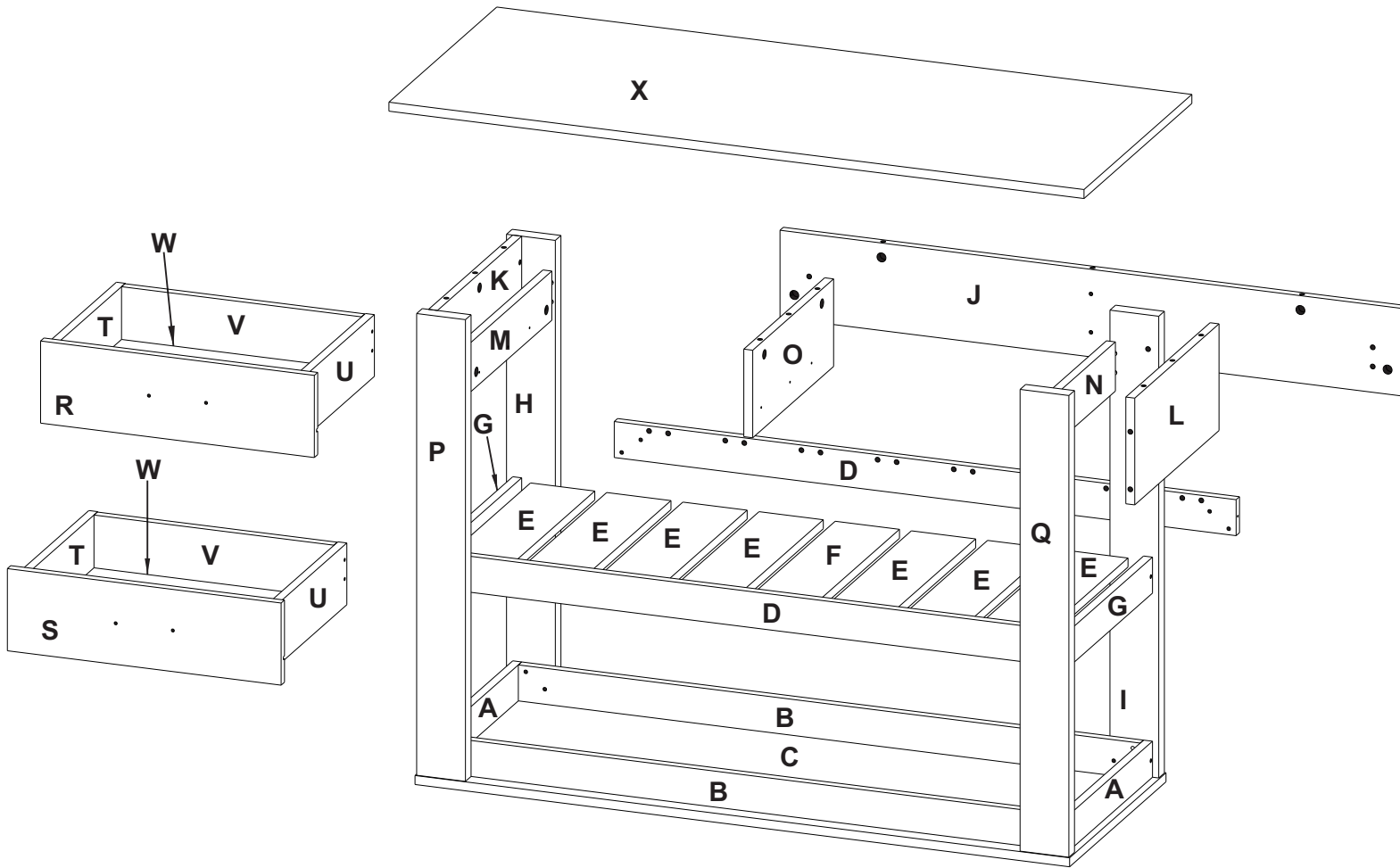
**IMPORTANTE:** Antes de empezar a ensamblar este mueble, lea este instructivo y revise cuidadosamente las piezas y herrajes.

En caso de que le haga falta alguna pieza, no lo devuelva a la tienda, favor llamar a la línea gratuita. en Colombia para USA, Canada, Puerto Rico y US Virgin Islands visite nuestra página Web.

# ASSEMBLY SUGGESTIONS / RECOMENDACIONES DE ENSAMBLE




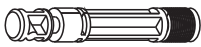


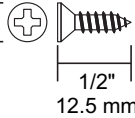
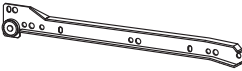

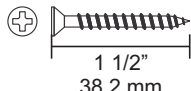
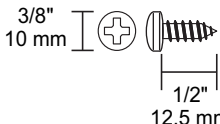
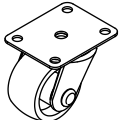
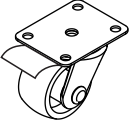
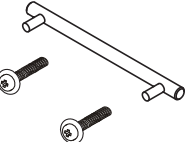


# PARTS IDENTIFICATION/IDENTIFICACIÓN DE PIEZAS



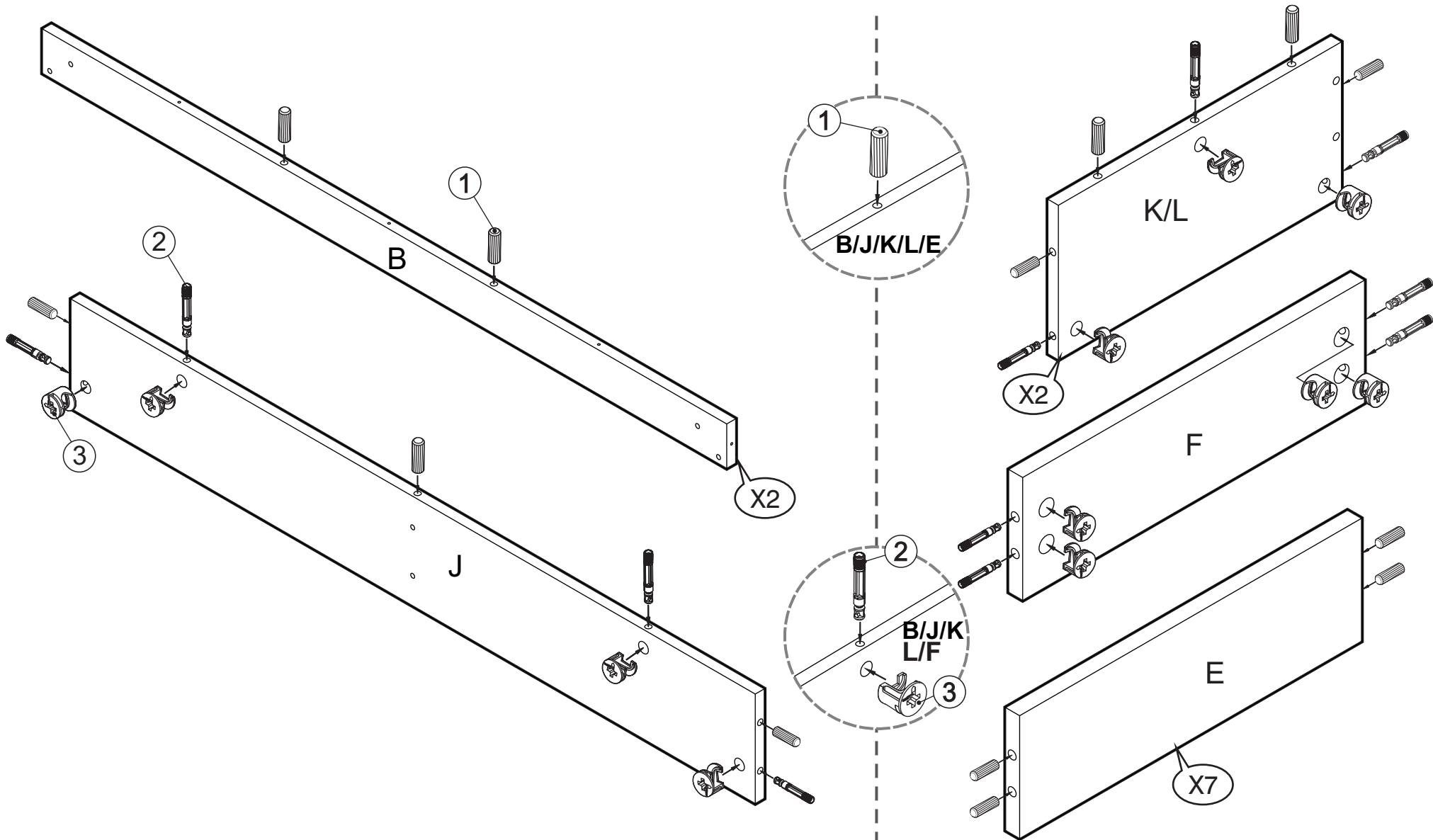
PART/ PIEZA	QUANTITY/ CANTIDAD
A	2
B	2
C	1
D	2
E	7
F	1
G	2
H	1
I	1
J	1
K	1
L	1
M	1
N	1
O	1
P	1
Q	1
R	1
S	1
T	2
U	2
V	2
W	2
X	1

QUANTITY CANTIDAD	FROM DESDE	TO HASTA
38	A	X

# HARDWARE IDENTIFICATION/IDENTIFICACIÓN DE HERRAJES

<p>① WOODEN DOWELS/ TARUGOS MADERA</p>  <p>1 3/16" 30 mm</p>	<p>X 52</p>	<p>② CAM STUDS/ PERNOS</p> 	<p>X 24</p>	<p>③ CAMS LOCKS/ TUERCAS</p> 	<p>X 24</p>	<p>④ BLACK SCREWS/ TORNILLO NEGRO</p>  <p>2" 50.8 mm</p>	<p>X 36</p>	<p>⑤ DRAWER - SLIDES SCREWS/ TORNILLOS GAVETA - CORREDERA</p>  <p>1/4" 6 mm</p> <p>1/2" 12.5 mm</p>	<p>X 20</p>
<p>⑥ SLIDES/ RIELES</p> 	<p>X 4</p>	<p>⑦ SLIDES/ RIELES</p> 	<p>X 4</p>	<p>⑧ BLACK SCREWS/ TORNILLO NEGRO</p>  <p>1 1/2" 38.2 mm</p>	<p>X 16</p>	<p>⑨ CASTERS SCREW/ TORNILLOS RODACHINA</p>  <p>3/8" 10 mm</p> <p>1/2" 12.5 mm</p>	<p>X 16</p>	<p>⑩ CASTERS/ RODACHINAS</p> 	<p>X 2</p>
<p>⑪ CASTERS WITH BRAKES/ RODACHINAS CON FRENO</p> 	<p>X 2</p>	<p>⑫ HANDLE-SCREW/ MANIJA-TORNILLO</p> 	<p>X 2</p>	<p>⑬ SCREW CAPS/ TAPA TORNILLO</p> 	<p>X 10</p>	<p>⑭ CAM CAPS/ TAPA TUERCAS</p> 	<p>X 4</p>		

# PARTS PREPARATION / PREPARACIÓN DE PARTES

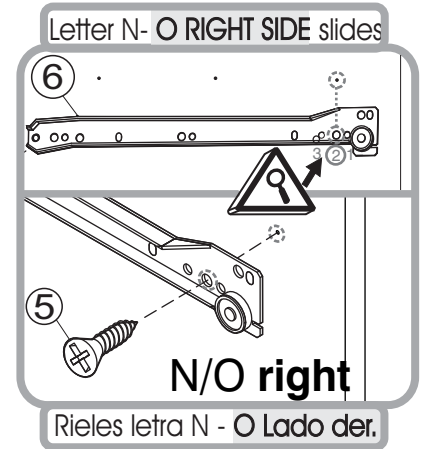
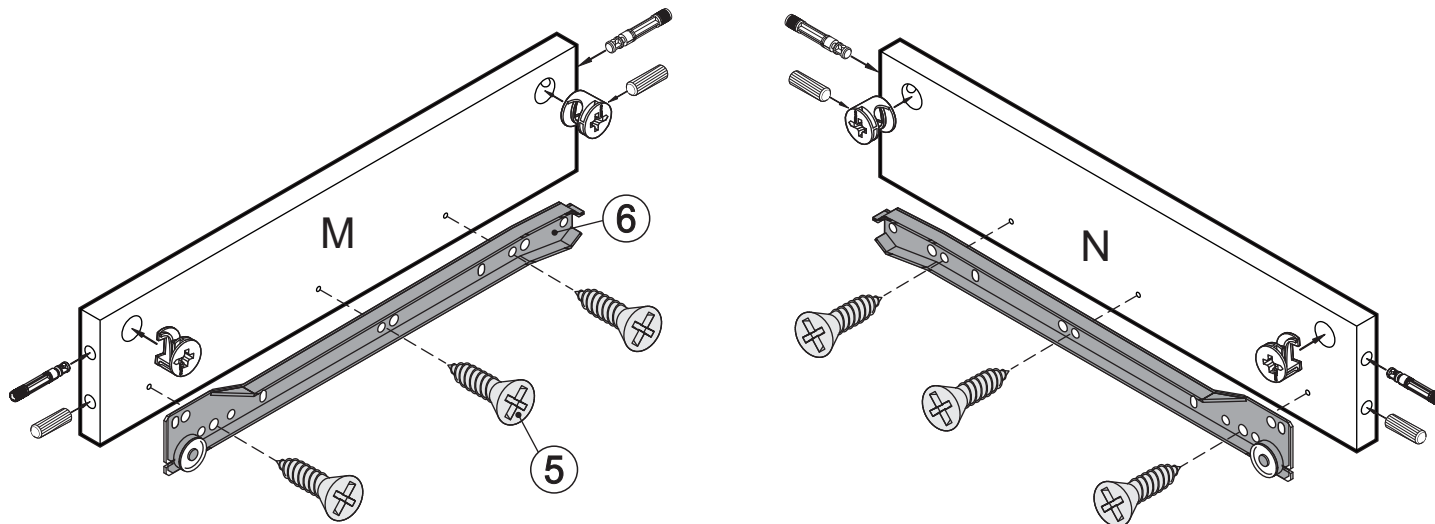
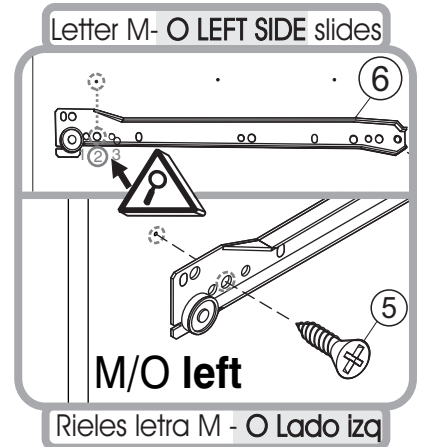
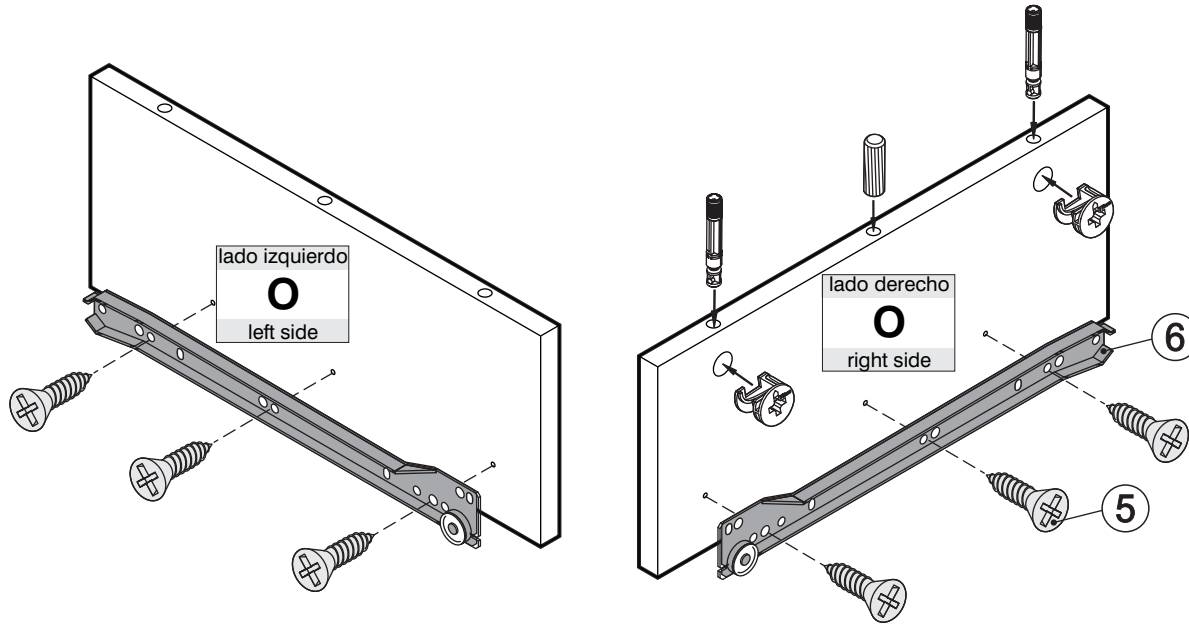


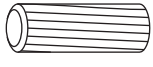
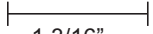
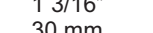
1	WOODEN DOWELS/ TARUGOS MADERA	X 43
$1 \frac{3}{16}''$ 30 mm		

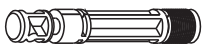
2	CAM STUDS/ PERNOS	X 14


3	CAMS LOCKS/ TUERCAS	X 14


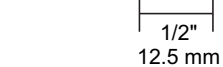
# PARTS PREPARATION / PREPARACIÓN DE PARTES

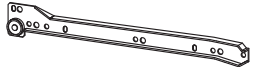


1	WOODEN DOWELS/ TARUGOS MADERA	X
		5
		
		

2	CAM STUDS/ PERNOS	X
		6

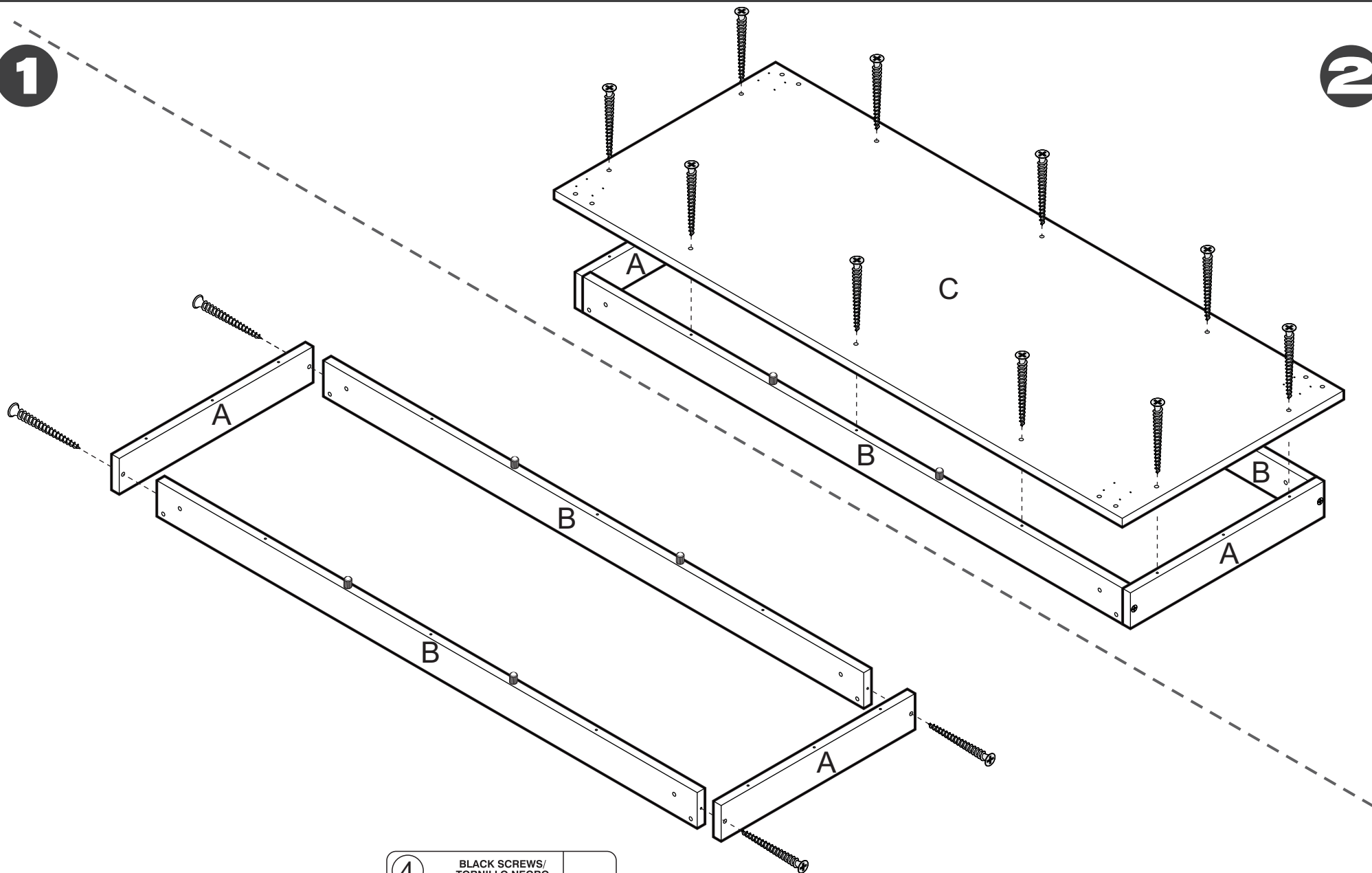
3	CAMS LOCKS/ TUERCAS	X
		6


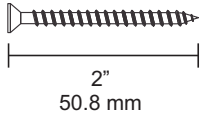
5	DRAWER - SLIDES SCREWS/ TORNILLOS GAVETA - CORREDERA	X
		12
		

6	SLIDES/ RIELES	X
		4

1

2

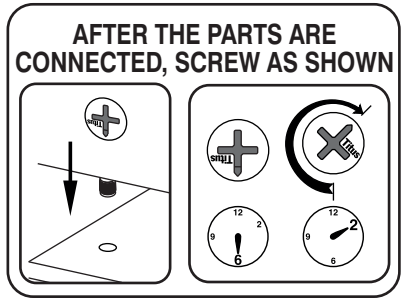
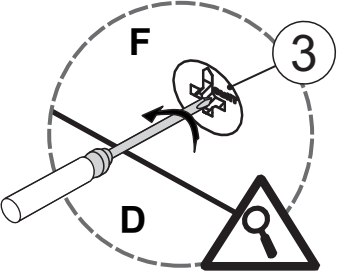
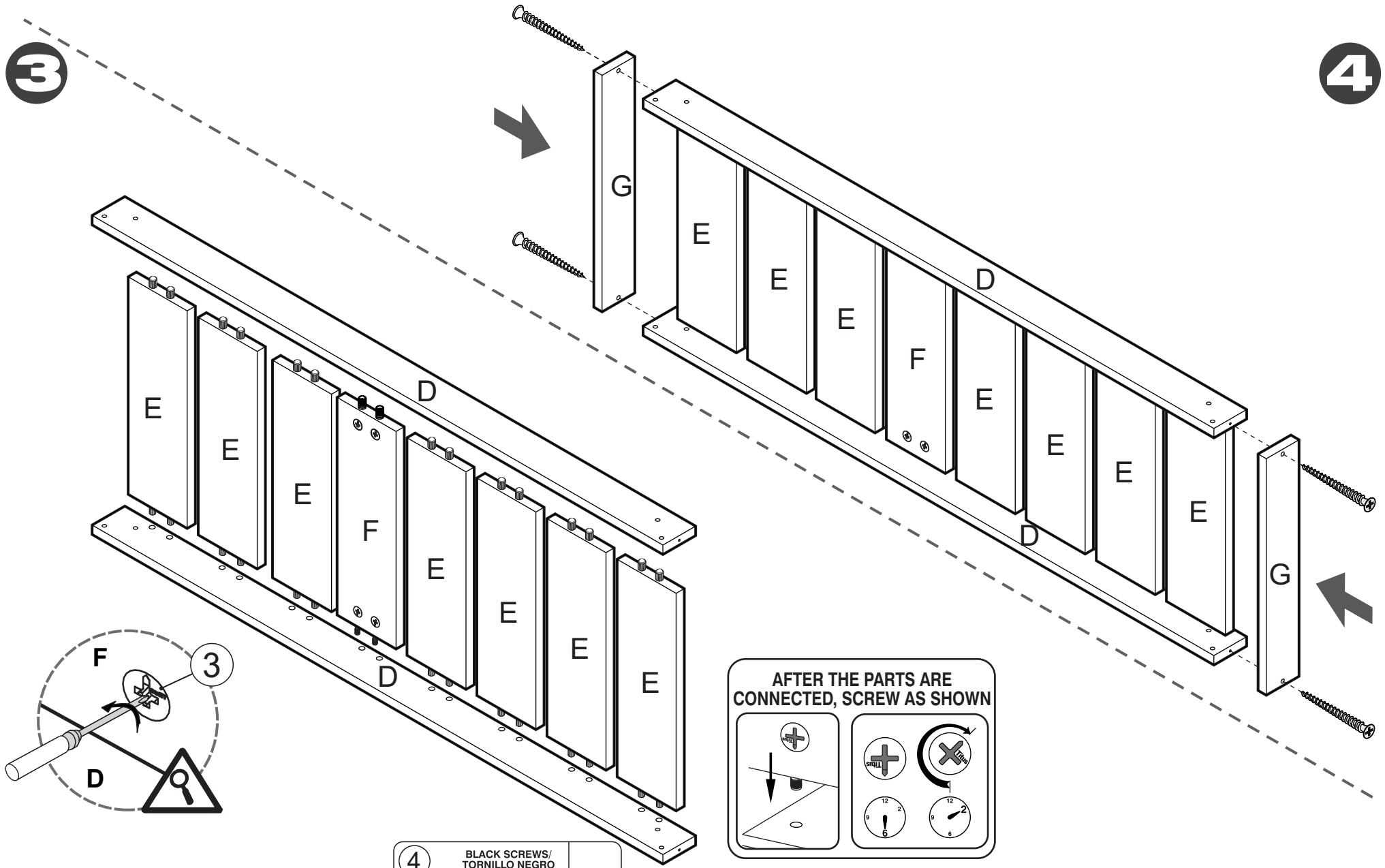


4	BLACK SCREWS/ TORNILLO NEGRO	X 14
	 2" 50.8 mm	

# FURNITURE ASSEMBLY / ARMADO DEL MUEBLE

3

4



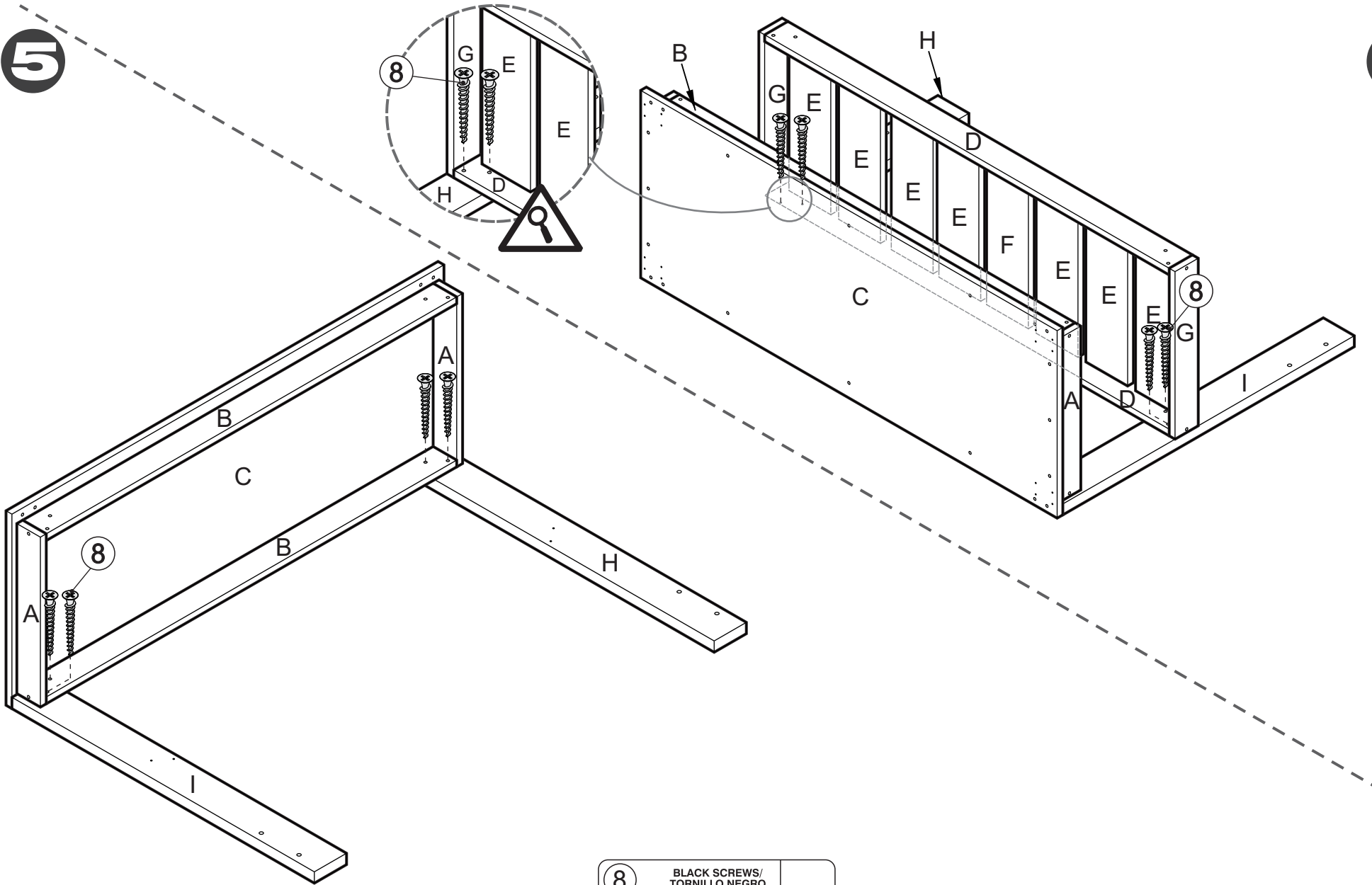
4 BLACK SCREWS/  
TORNILLO NEGRO


X  
4

2"  
50.8 mm

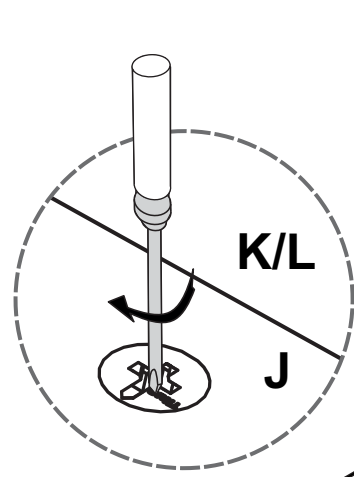
5

6

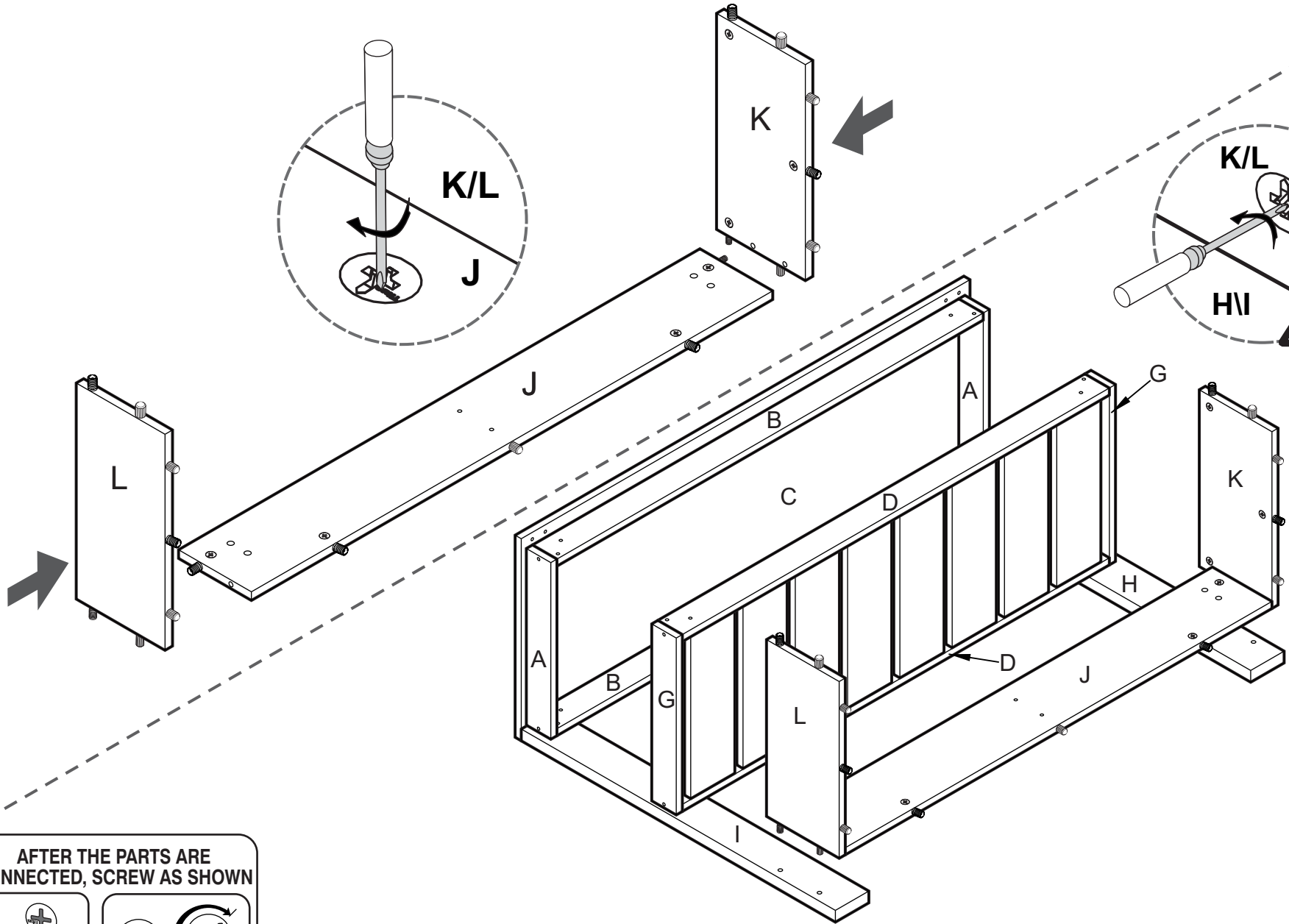
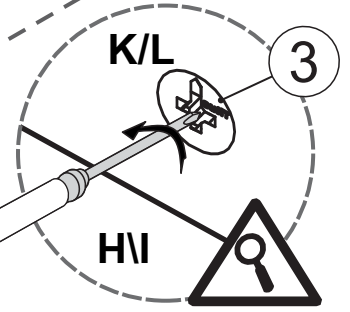


8	BLACK SCREWS/ TORNILLO NEGRO	X 8
 1 1/2" 38.2 mm		

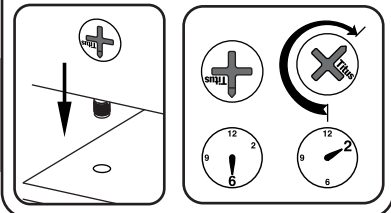
7



8

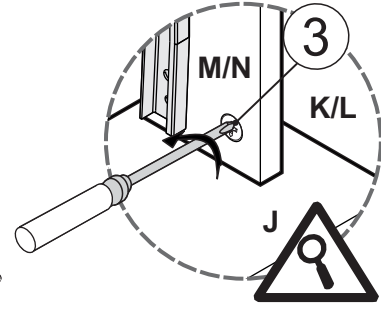
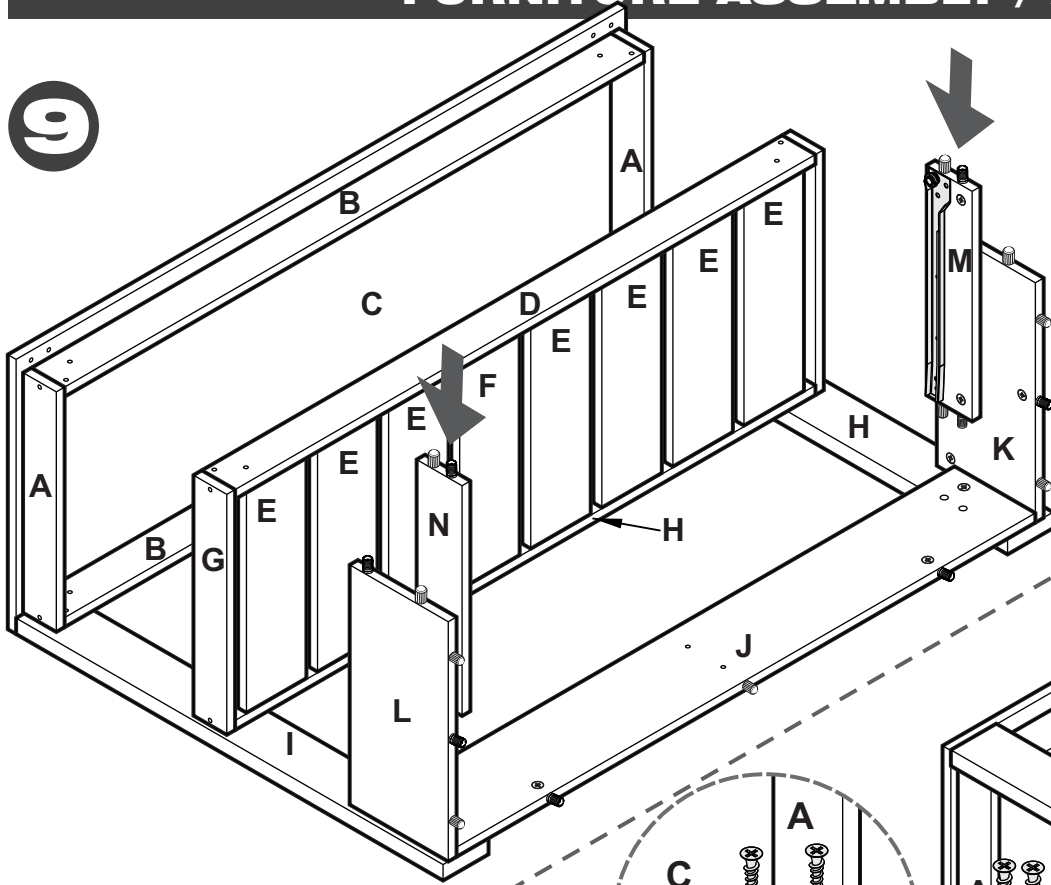


AFTER THE PARTS ARE CONNECTED, SCREW AS SHOWN

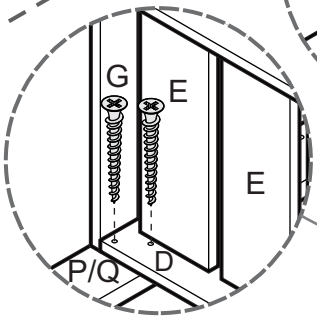
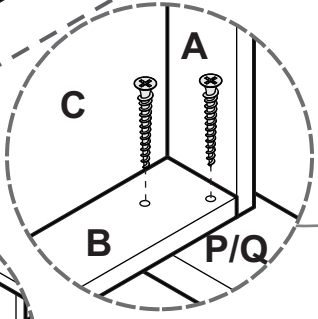
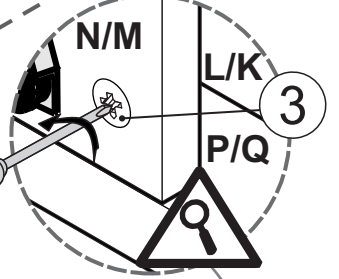
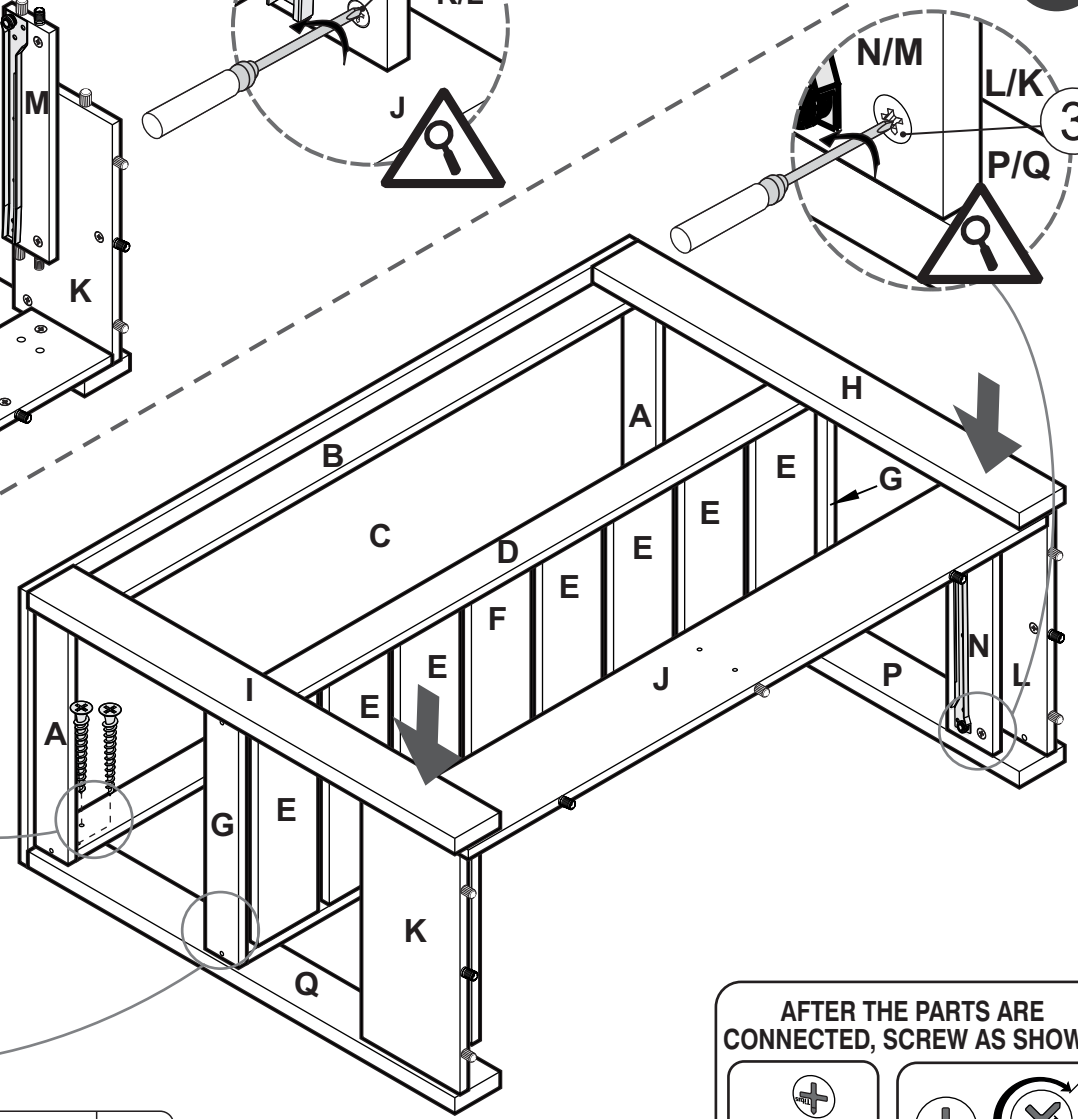


# FURNITURE ASSEMBLY / ARMADO DEL MUEBLE

9



10



8 BLACK SCREWS/  
TORNILLO NEGRO

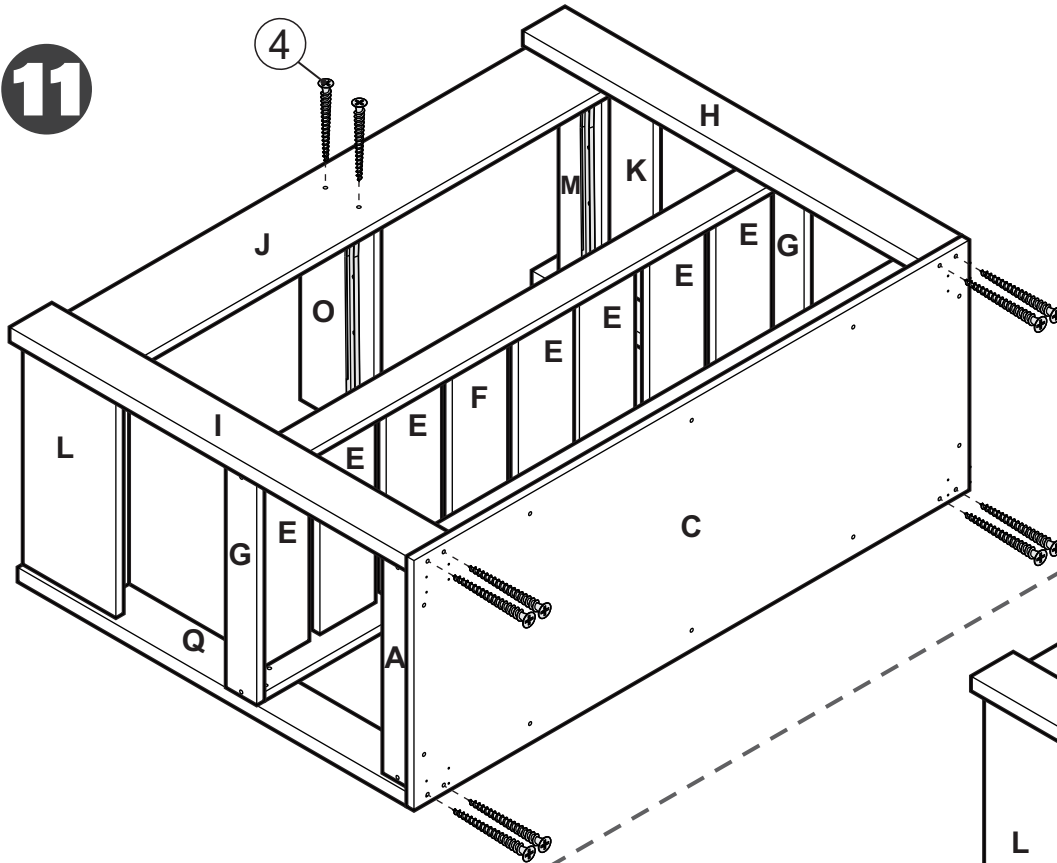
1 1/2"  
38.2 mm

X  
8

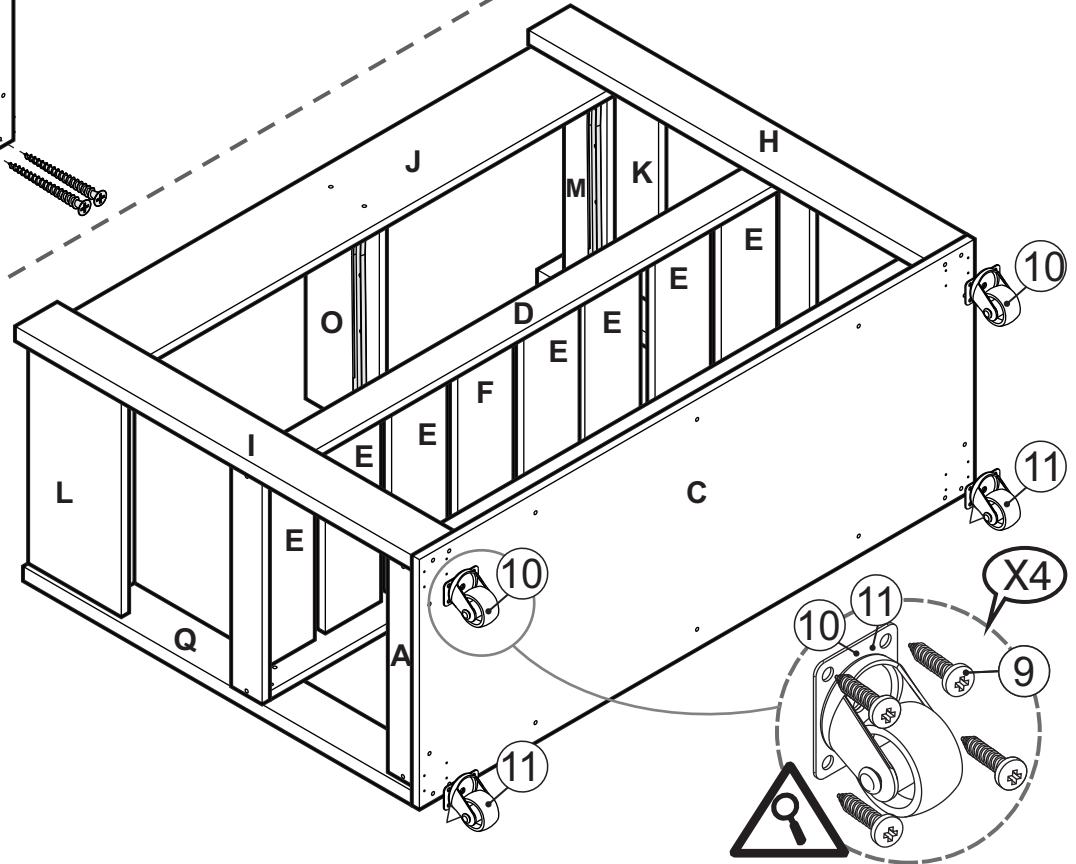
AFTER THE PARTS ARE  
CONNECTED, SCREW AS SHOWN

# FURNITURE ASSEMBLY / ARMADO DEL MUEBLE

11



12



**4** BLACK SCREWS/  
TORNILLO NEGRO

2" / 50.8 mm

**X 10**

**9** CASTERS SCREW/  
TORNILLOS RODACHINA

3/8" / 10 mm

1/2" / 12.5 mm

**X 16**

**10** CASTERS/  
RODACHINAS

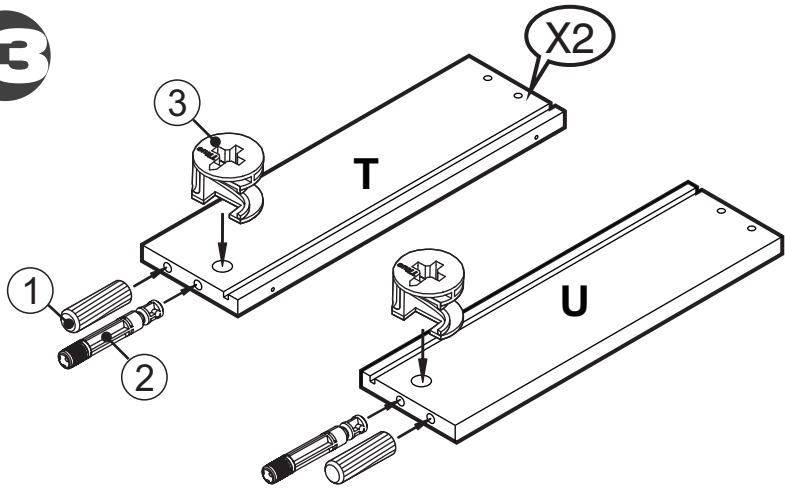
**X 2**

**11** CASTERS WITH BRAKES/  
RODACHINAS CON  
FRENOS

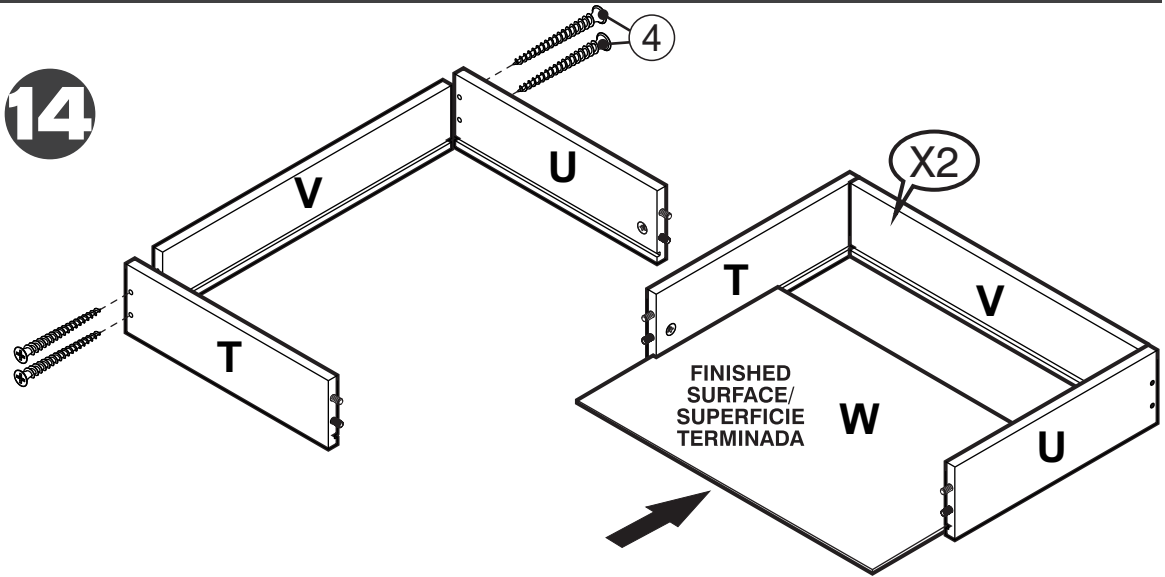
**X 2**

# FURNITURE ASSEMBLY / ARMADO DEL MUEBLE

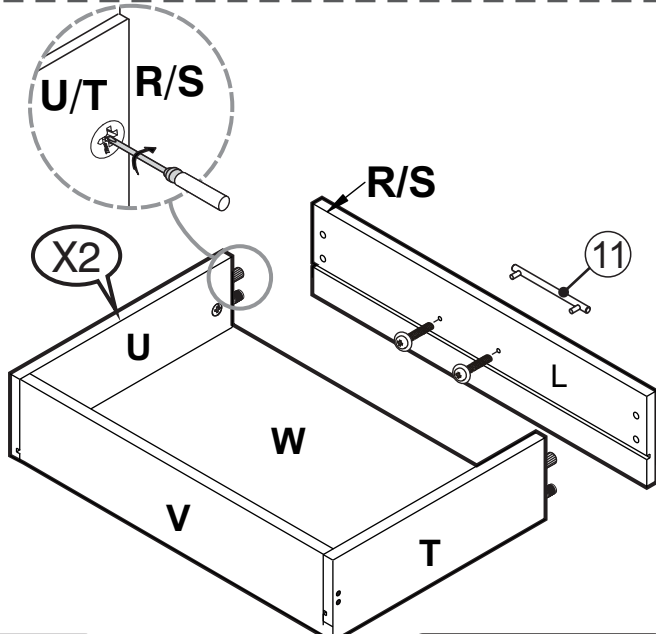
13



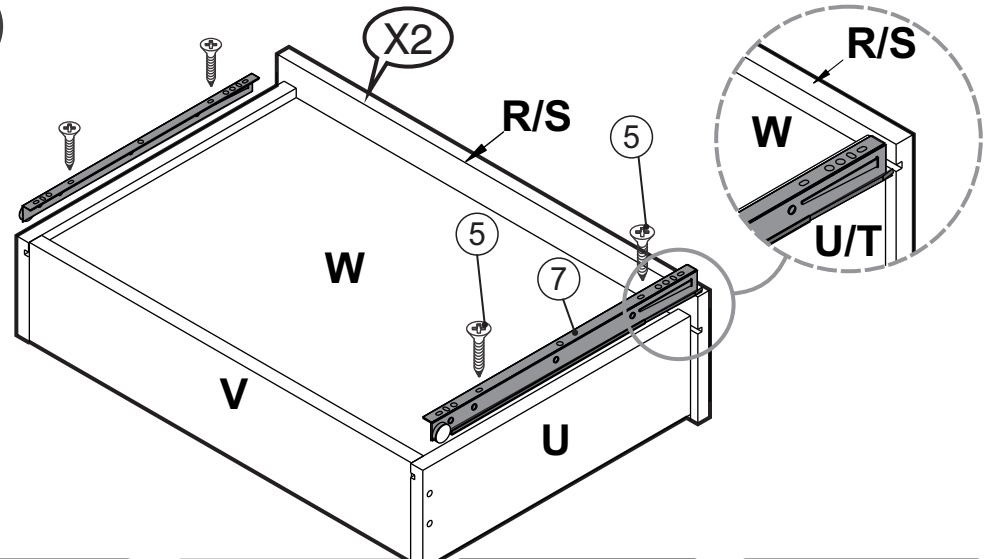
14




15



16



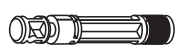
1 WOODEN DOWELS/  
TARUGOS MADERA



X 4

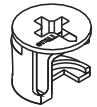
1 3/16"  
30 mm

2 CAM STUDS/  
PERNOS




X 4

3 CAM LOCKS/  
TUERCAS



X 4

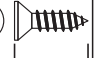
4 BLACK SCREWS/  
TORNILLO NEGRO



X 8

2"  
50.8 mm

5 SLIDES SCREWS/  
TORNILLOS  
GAVETA - CORRED




X 8

1/4"  
6 mm

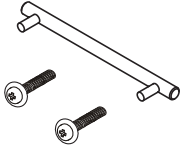
1/2"  
12.5 mm

7 DRAWER SLIDES/  
RIELES CAJONES



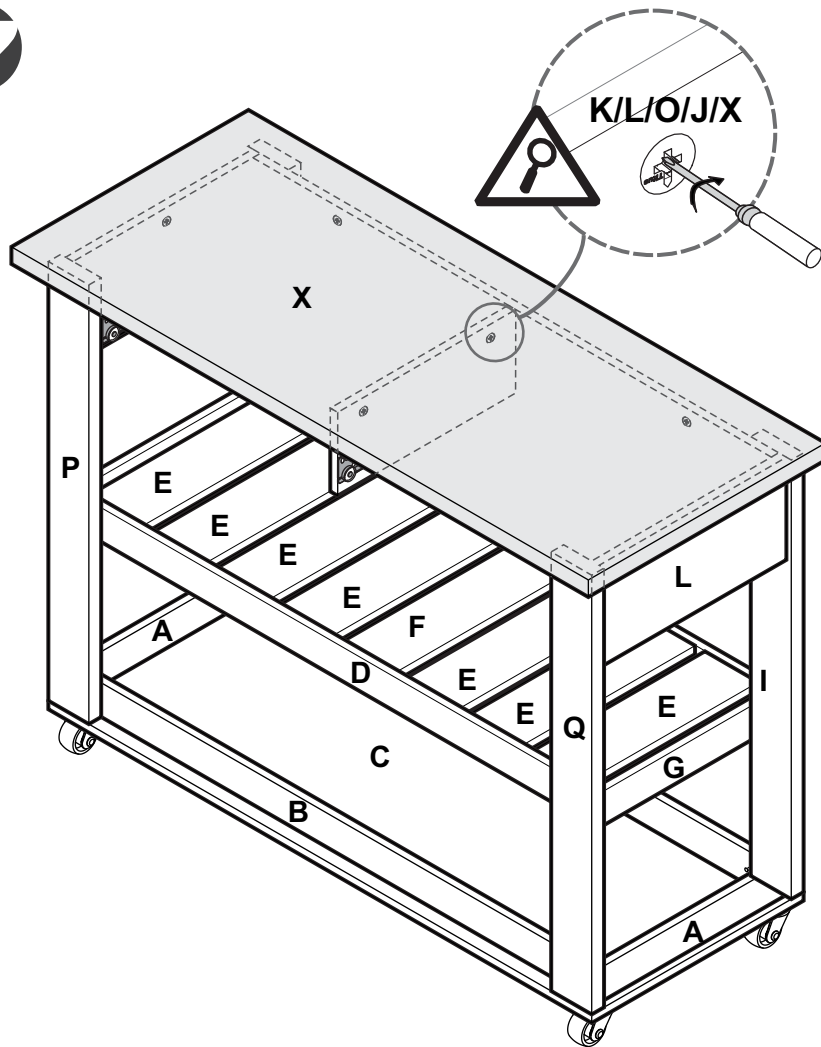
X 4

12 HANDLE-SCREW/  
MANIJA-TORNILLO

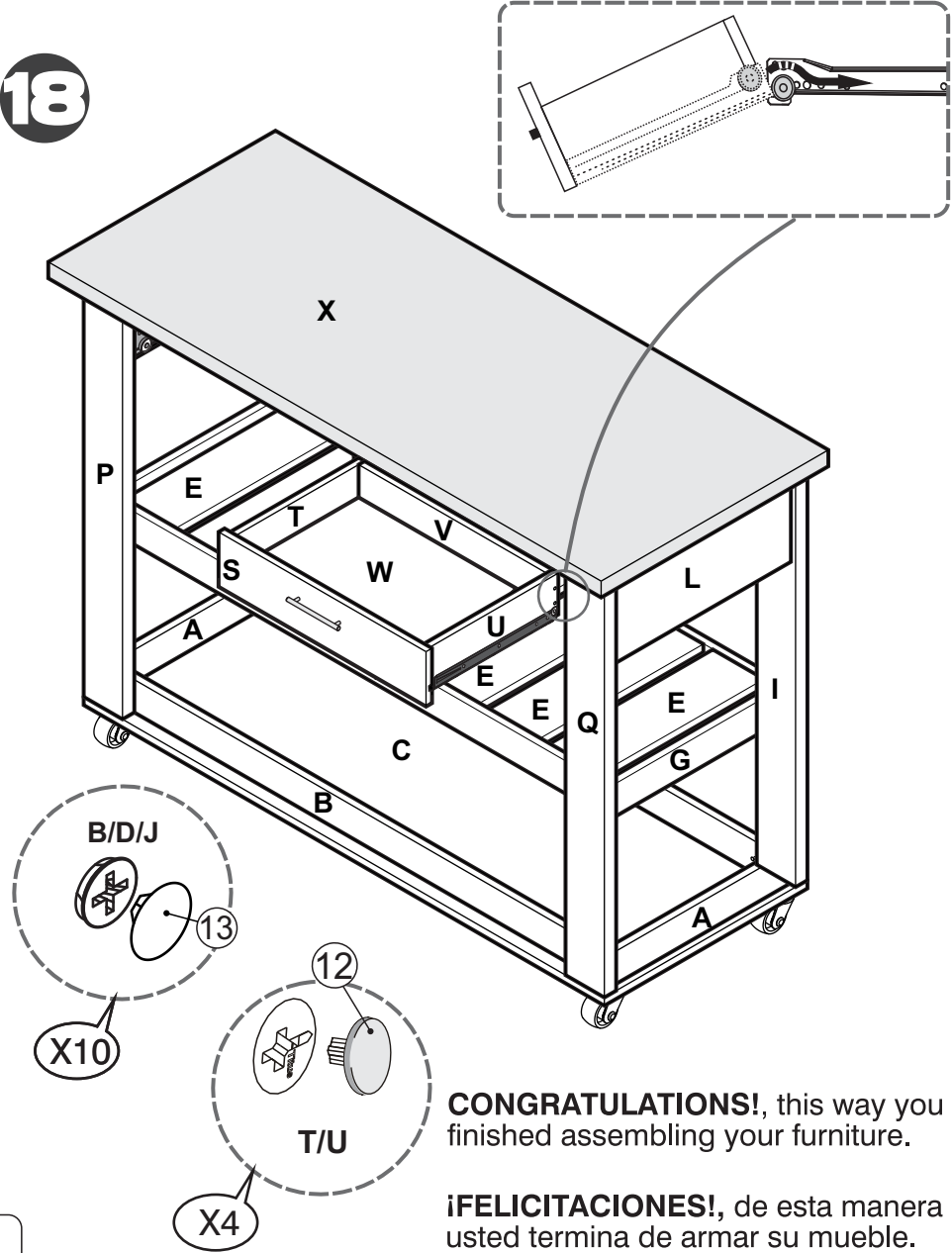


X 2

17



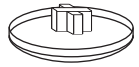
18



**CONGRATULATIONS!**, this way you finished assembling your furniture.


**¡FELICITACIONES!**, de esta manera usted termina de armar su mueble.

13 SCREW CAPS/  
TAPA TORNILLO



X  
10

14 CAM CAPS/  
TAPA TUERCAS



X  
4