

NOTICE

- * Please make sure that you have all parts indicated and they are in good condition before you begin assembly of this item. Refer to part list and hardware list below for guidance.
- * This item should be assembled on a soft surface to prevent scratching the finish during assembly.
- * This item may require periodic tightening.
- * If you are having difficulty, our friendly Customer Care team is always here to help. Please email customersupport@safavieh.com

PREPARATION

- * Before beginning assembly of product, make sure all parts are present. Compare parts with part contents list and hardware contents list.
- * If any part is missing or damaged, do not attempt to assemble the product.
- * Estimated Assembly Time: 10 minutes.
- * Tools Required for Assembly (included): Allen key.

CARE AND MAINTENANCE

WOOD CARE: Adhesive felt pads should always be applied to areas of furniture which make direct contact with flooring, said application will prevent damage to the furniture and or surfaces on which the furniture lies. Objects placed on articles of furniture should rest on non abrasive material as to prevent damage to the wood finish. Wipe up spills immediately and avoid common hazards such as hot dishes, harsh solvents and abrasives. Cleaning should be done with a soft lint free cotton cloth dampened with water or furniture polish.

UPHOLSTERY CARE:

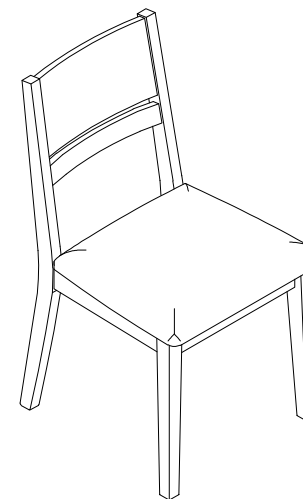
To prevent overall soiling, frequent vacuuming or light brushing is recommended. Down-filled cushions should be brushed rather than vacuumed. Spot clean, using a mild water-free solvent or dry cleaning product. Only a professional cleaner should undertake a complete overall cleaning. The use of steam or water-based cleaners may cause excessive shrinking or staining.

SAFAVIEH

C O U T U R E

Model# SFV2180-SET2

Product Dimensions: 18.75"W x18"D x35.25"H



Weight capacity: 275lbs
WARNING : DO NOT STAND ON PRODUCT
WARNING : DO NOT OVER TORQUE BOLTS

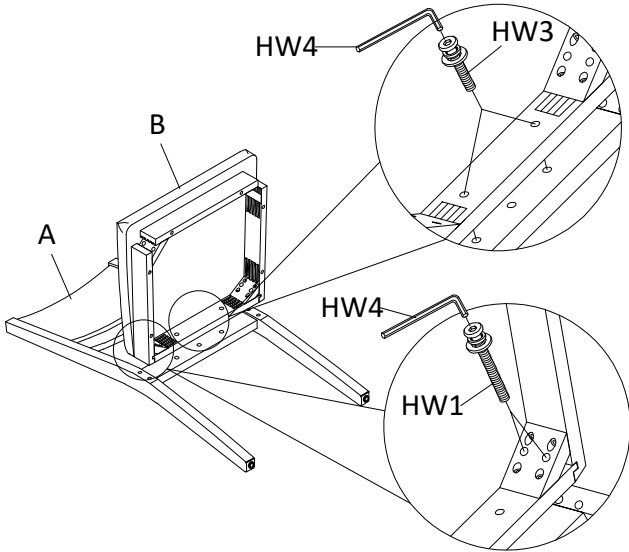
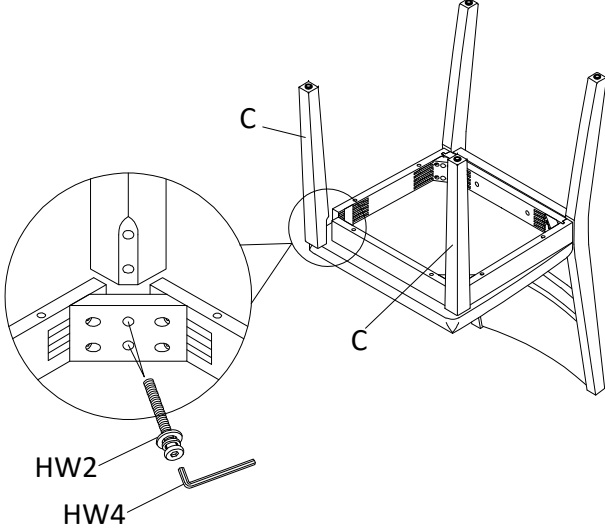
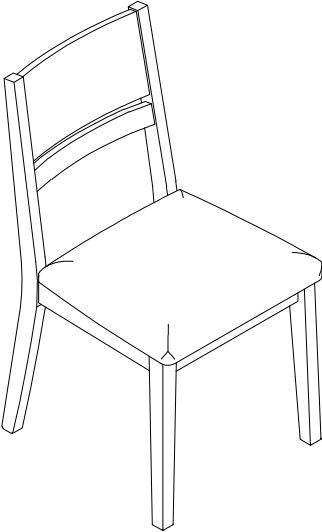
Part List and Hardware List

PIECE	DESCRIPTION	PICTURE	QTY
A	CHAIR BACK		1x
B	SEAT CUSHION		1x
C	FRONT LEGS		2x

PIECE	DESCRIPTION	PICTURE	QTY
HW1	Hex Socket Bolt	1/4"-20*3.125"	4x
HW2	Hex Socket Bolt	1/4"-20*2.375"	4x
HW3	Hex Socket Bolt	1/4"-20*1.5"	2x
HW4	Allen Key	M4	1x

PREPARATION

- * Before beginning assembly of product, make sure all parts are present. Compare parts with part contents list and hardware contents list.
- * If any part is missing or damaged, do not attempt to assemble the product.
- * Estimated Assembly Time: 10 minutes.
- * Tools Required for Assembly (included): Allen key.
- * If you are having difficulty, our friendly Customer Care team is always here to help. Please email customersupport@safavieh.com

 <p>Note: Please make sure to use the correct bolt, so as not to damage the product.</p>	 <p>* Do not fully tighten the bolts until the product is assembled.</p>	
<p>STEP 1 ATTACH THE SEAT CUSHION (B) TO THE CHAIR BACK (A) BY USING THE ALLEN KEY (HW4) TO SCREW IN THE 2 HEX SOCKET BOLTS (HW3). ATTACH THE CORNERS OF THE SEAT CUSHION (B) TO THE CHAIR BACK (A) BY USING THE ALLEN KEY (HW4) TO SCREW IN THE 4 HEX SOCKET BOLTS (HW1).</p>	<p>STEP 2 ATTACH THE SEAT CUSHION (B) TO THE FRONT LEGS (C) BY USING THE ALLEN KEY (HW4) TO SCREW IN THE 4 HEX SOCKET BOLTS (HW2) AS SHOWN.</p>	<p>STEP 3 TURN THE CHAIR UPRIGHT. PRODUCT IS NOW READY FOR USE.</p>