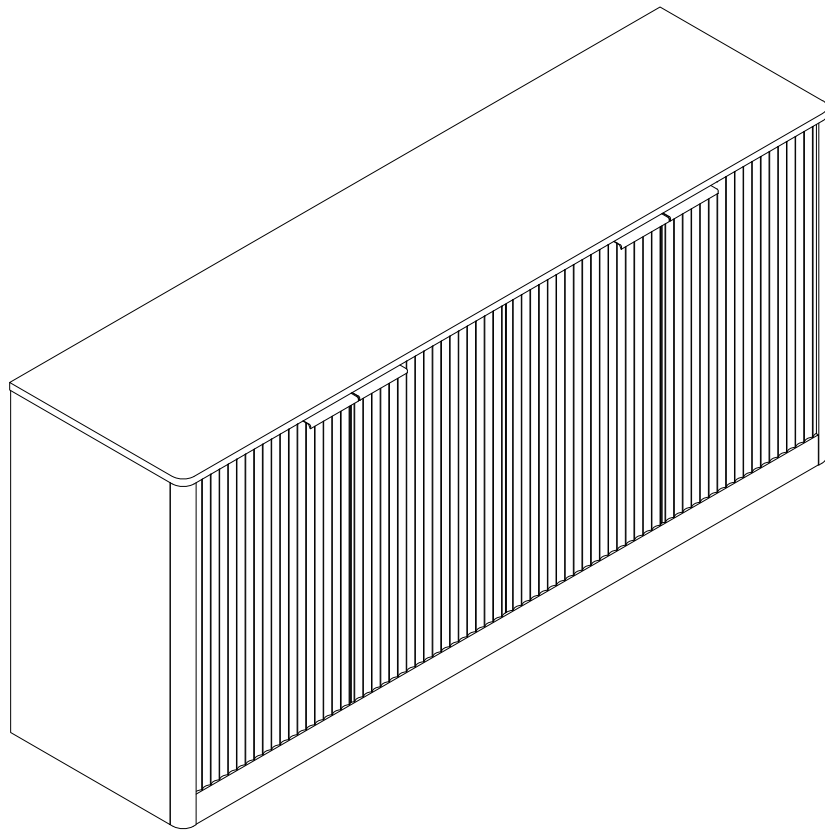
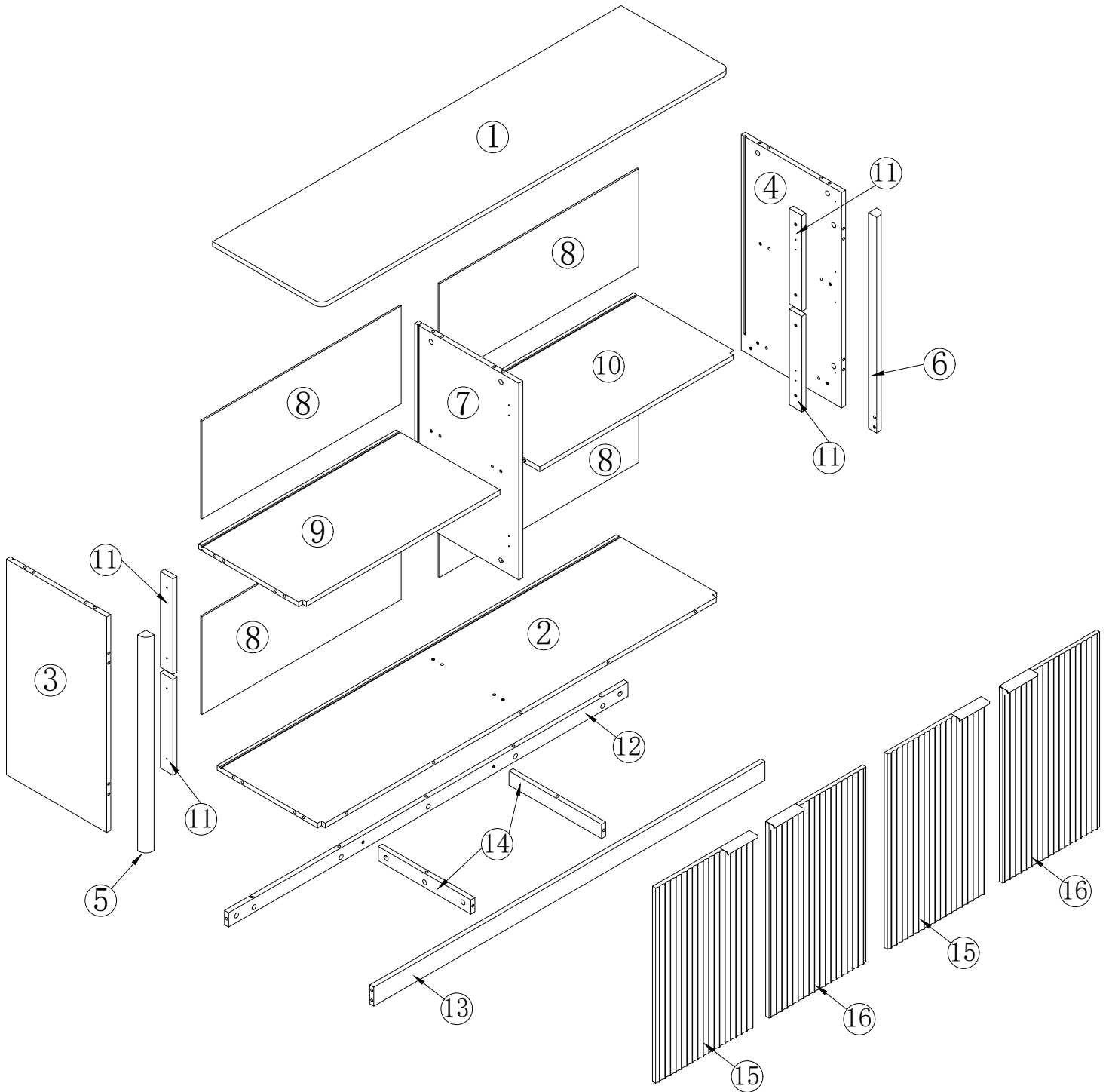


Assembly Instruction

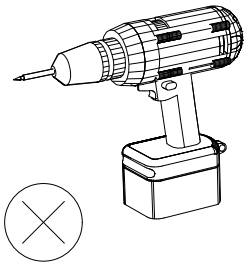
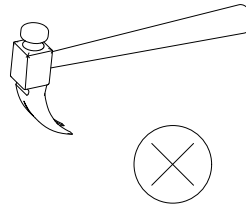
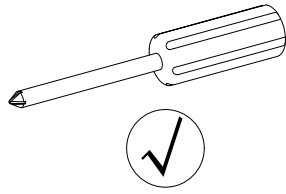
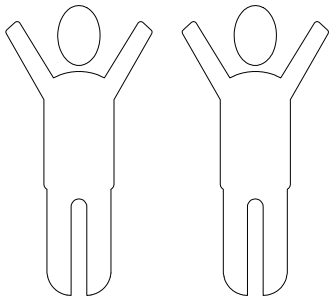
———— CBN131 ————



Parts List (EN)

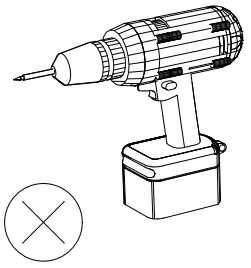
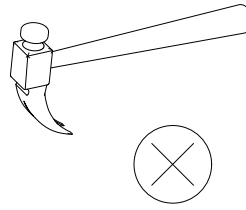
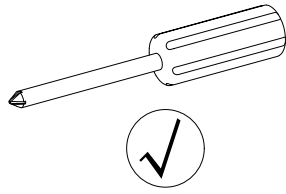
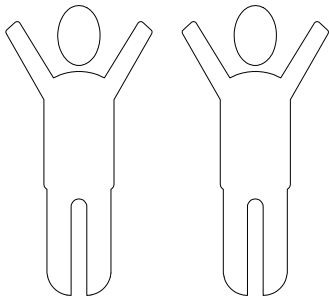


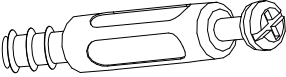

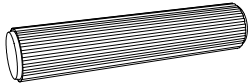
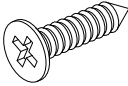
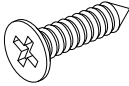
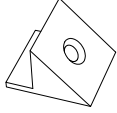
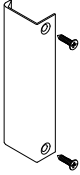
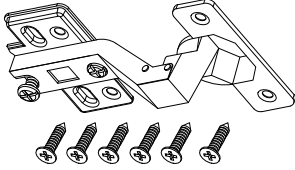
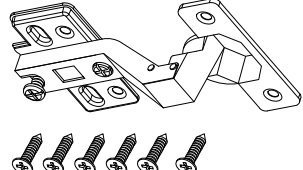
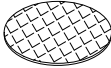
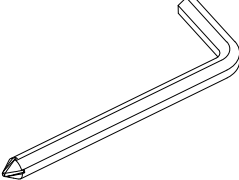
Parts List (EN)



<p>①</p> <p>1PCS</p>	<p>②</p> <p>1PCS</p>	<p>③</p> <p>1PCS</p>	<p>④</p> <p>1PCS</p>
<p>⑤</p> <p>1PCS</p>	<p>⑥</p> <p>1PCS</p>	<p>⑦</p> <p>1PCS</p>	<p>⑧</p> <p>4PCS</p>
<p>⑨</p> <p>1PCS</p>	<p>⑩</p> <p>1PCS</p>	<p>⑪</p> <p>4PCS</p>	<p>⑫</p> <p>1PCS</p>
<p>⑬</p> <p>1PCS</p>	<p>⑭</p> <p>2PCS</p>	<p>⑮</p> <p>2PCS</p>	<p>⑯</p> <p>2PCS</p>

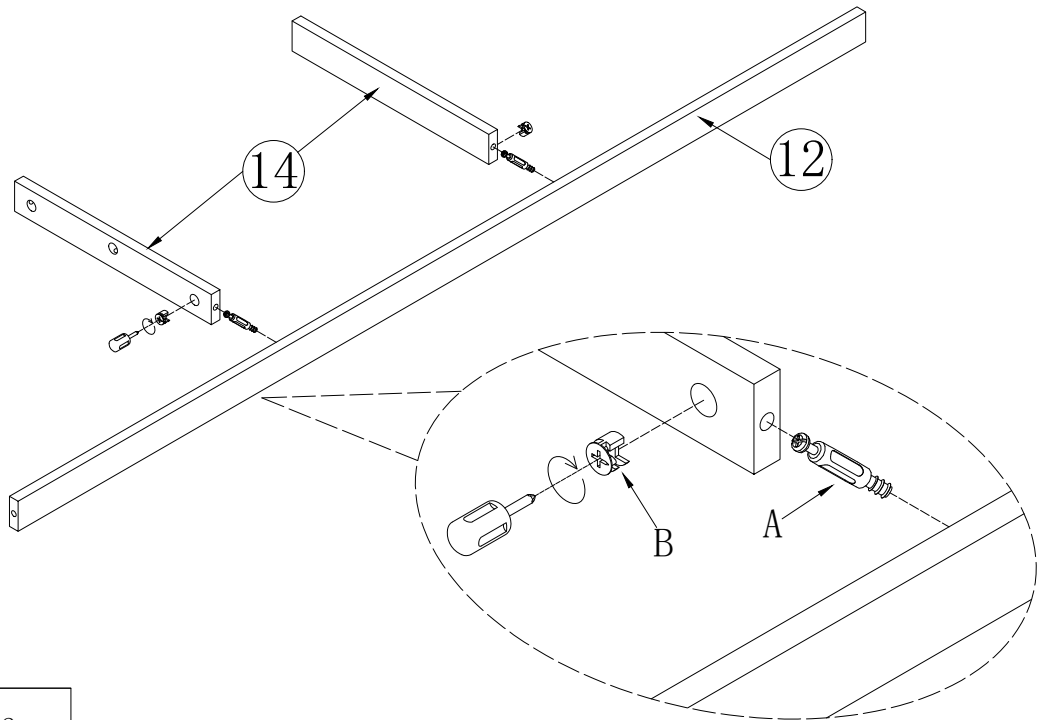
Parts List (EN)





<p>A</p>  <p>$\phi 6*35\text{mm}$ 44+2PCS</p>	<p>B</p>  <p>$\phi 15*9.5\text{mm}$ 44+2PCS</p>	<p>C</p>  <p>$\phi 8*30\text{mm}$ 26+2PCS</p>
<p>D</p>  <p>$\phi 3.5*14\text{mm}$ 16+2PCS</p>	<p>E</p>  <p>$\phi 3.5*25\text{mm}$ 8+2PCS</p>	<p>F</p>  <p>16+2PCS</p>
<p>G</p>  <p>Handle 4sets</p>	<p>H</p>  <p>Mid bend door hinge 4sets</p>	<p>I</p>  <p>Large curved door hinge 4sets</p>
<p>J</p>  <p>20+2 PCS</p>	<p>K</p>  <p>M4 1PCS</p>	

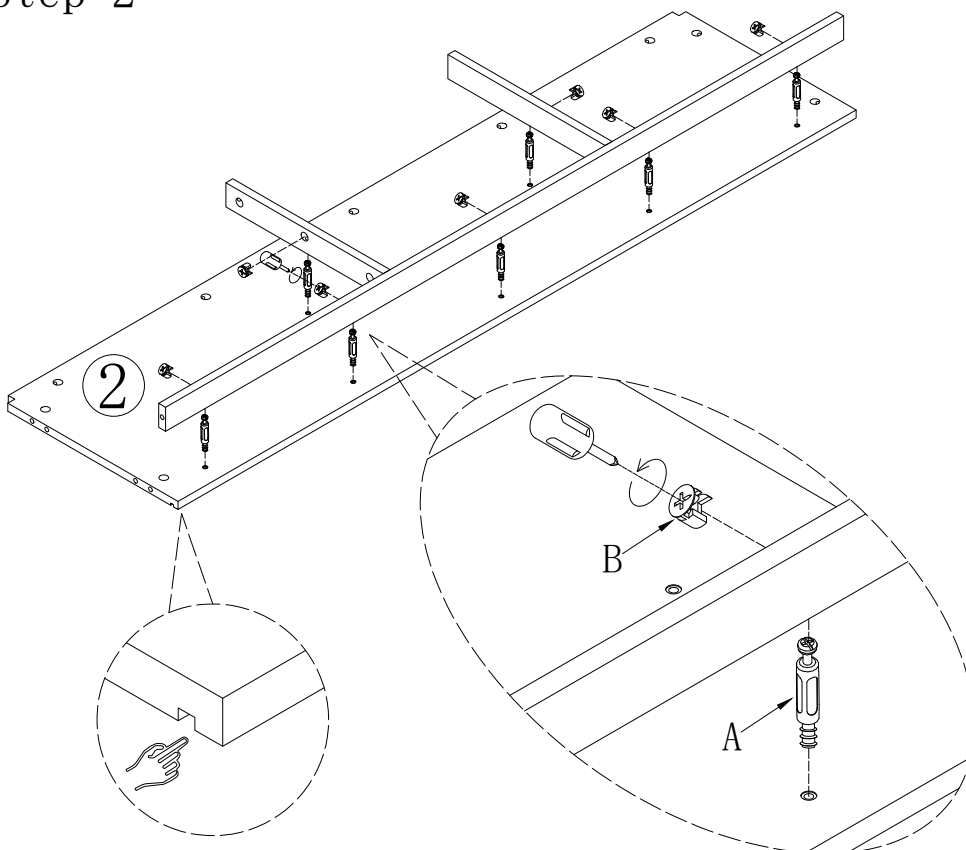
Assembly Steps (EN)



Step 1



	Ax2pcs
	Bx2pcs

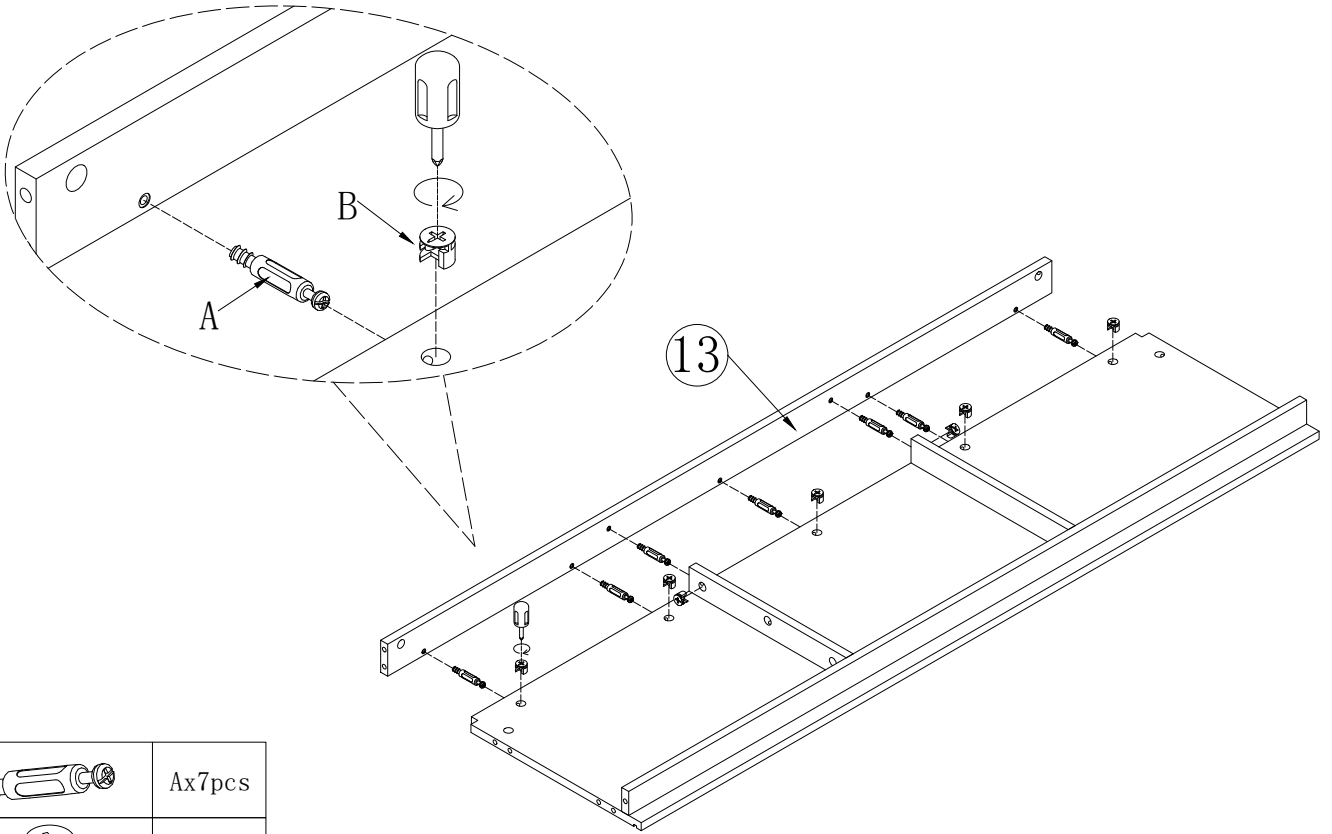
Step 2





	Ax7pcs
	Bx7pcs

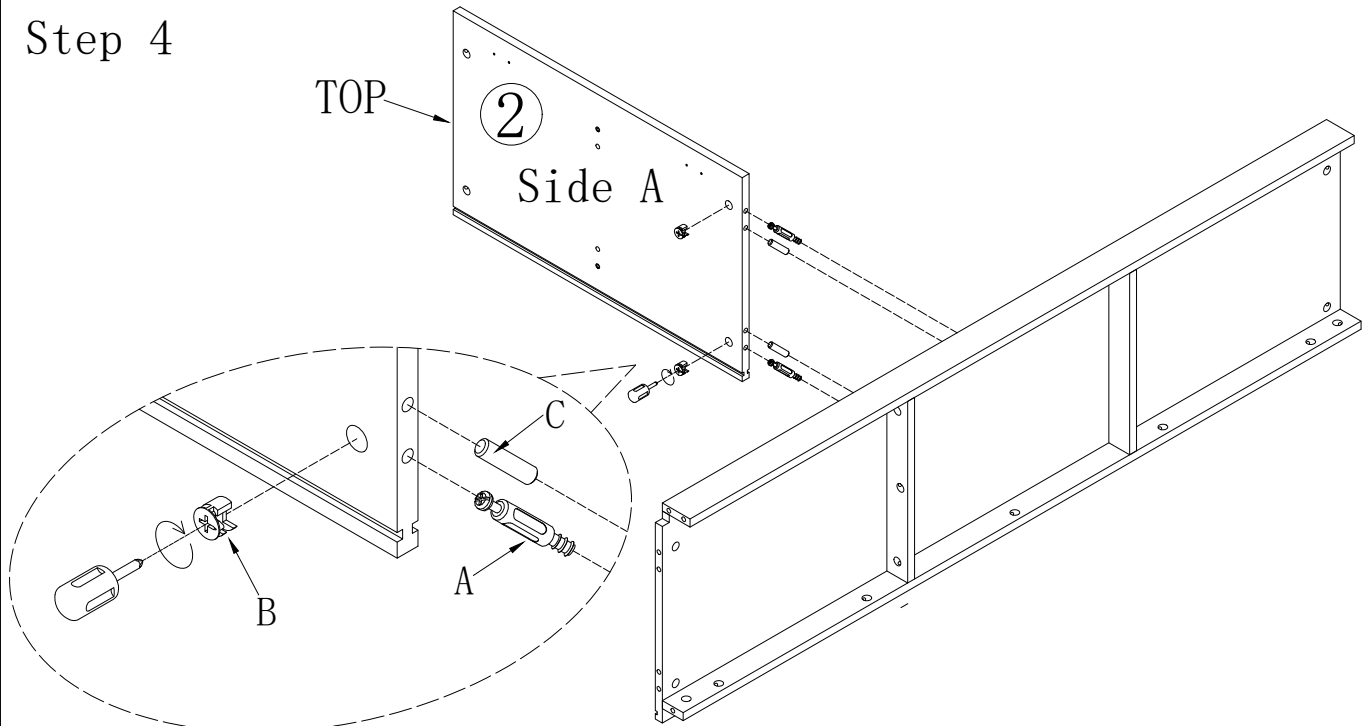
Assembly Steps (EN)




Step 3



	Ax7pcs
	Bx7pcs

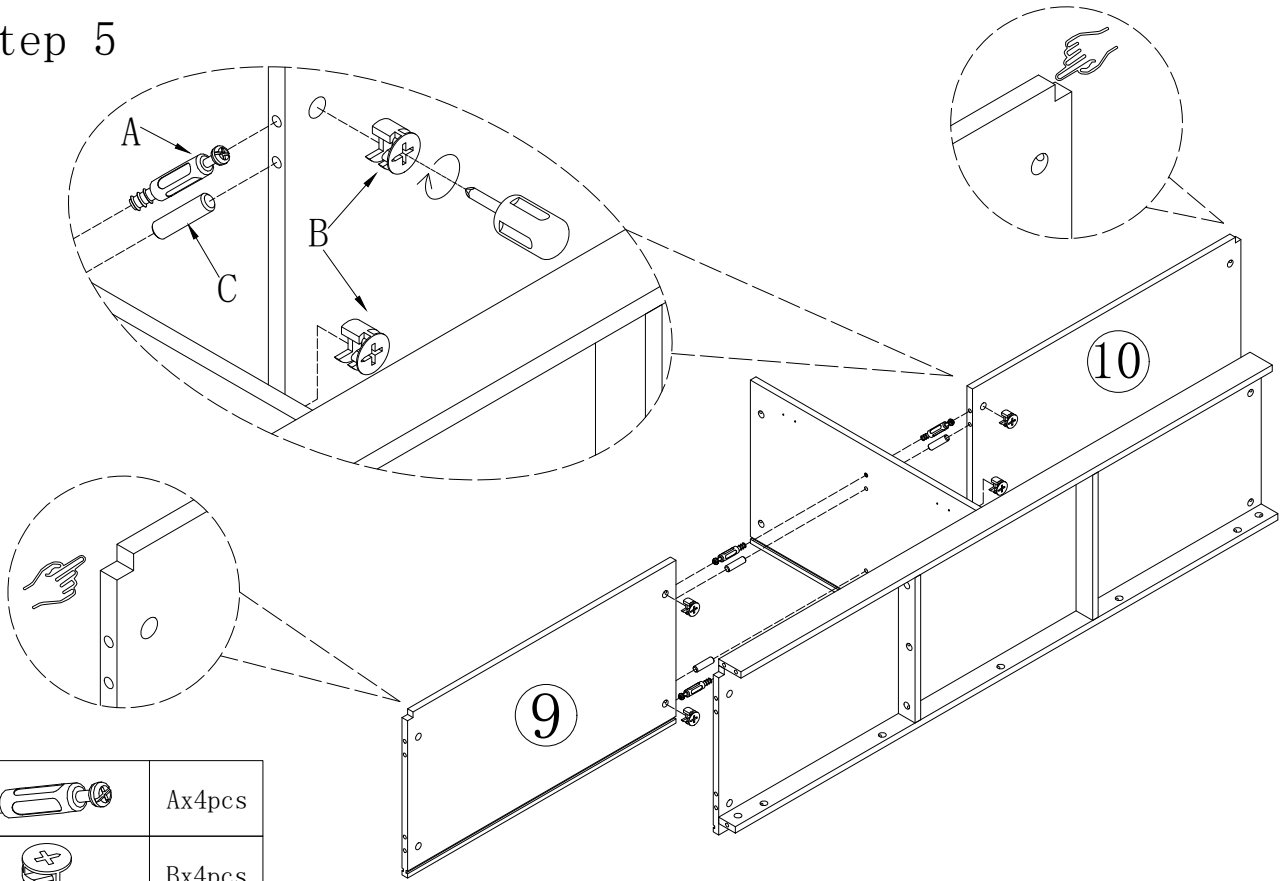
Step 4






	Ax2pcs
	Bx2pcs
	Cx2pcs

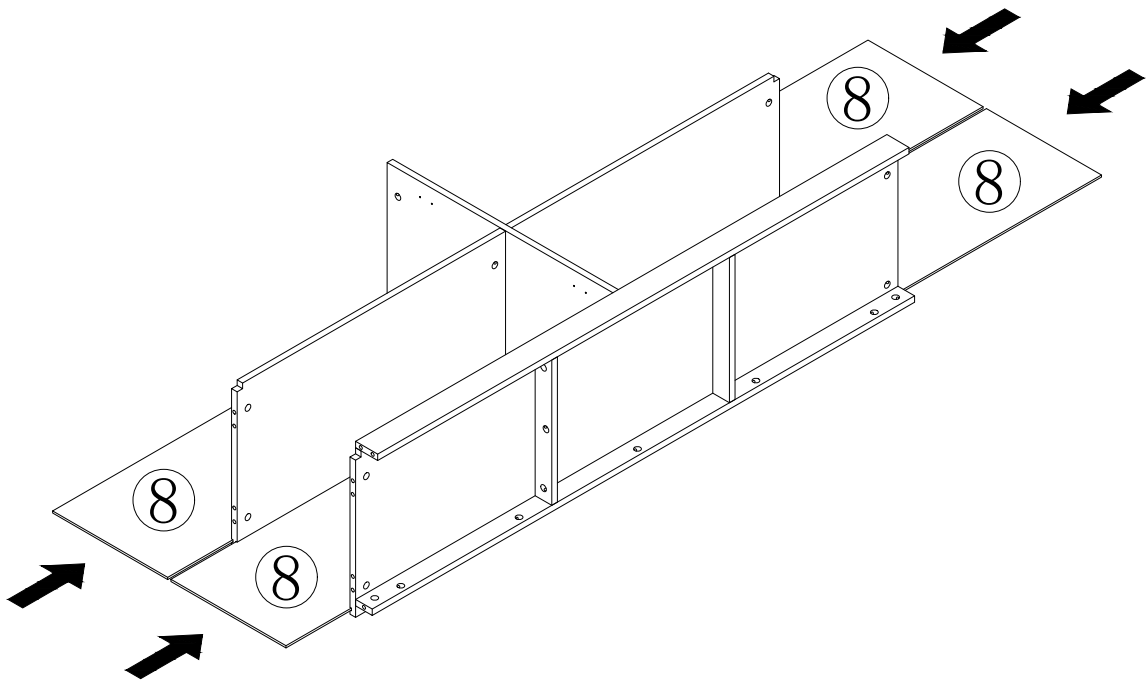
Assembly Steps (EN)

Step 5



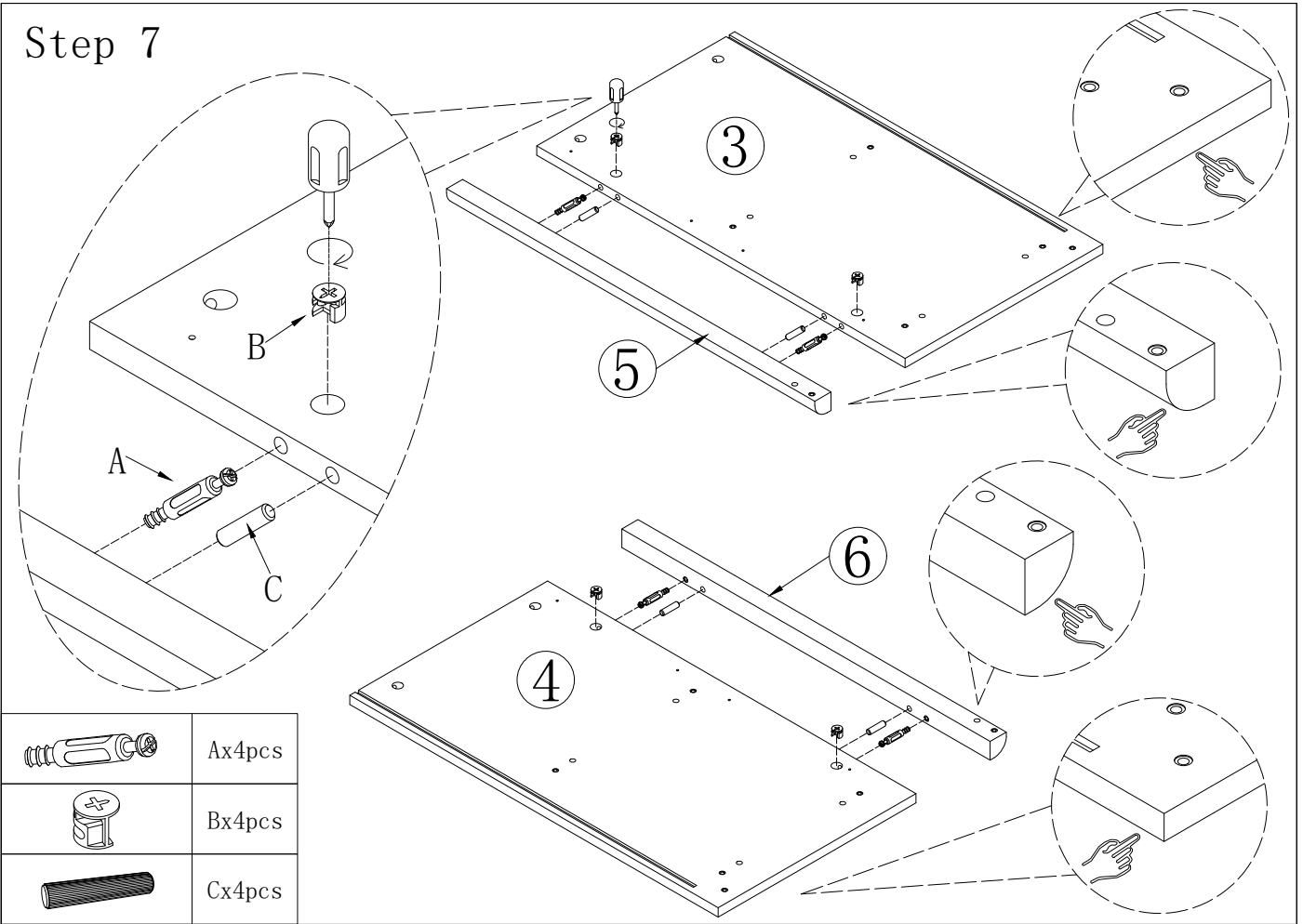
	Ax4pcs
	Bx4pcs
	Cx4pcs




Step 6



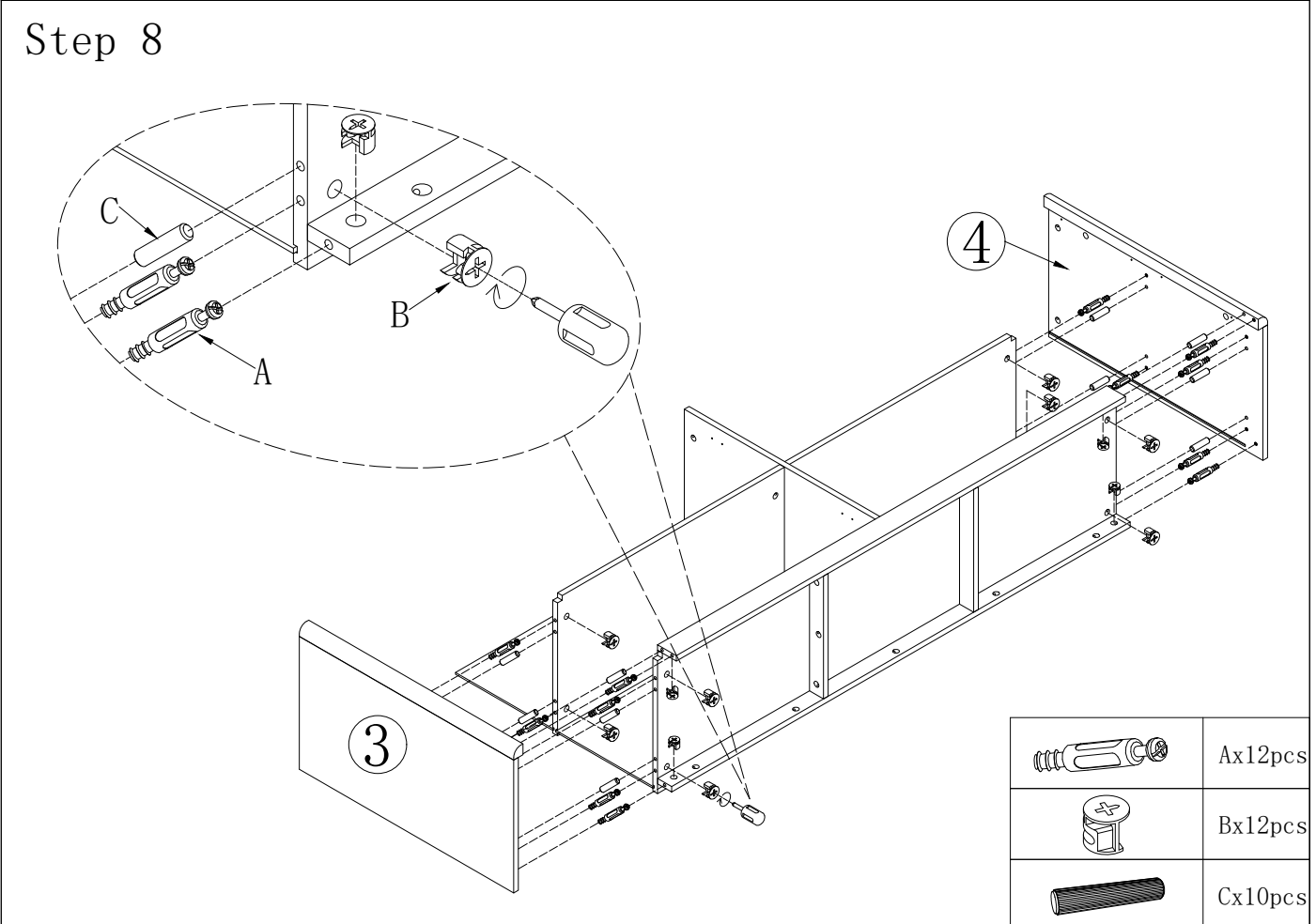
Assembly Steps (EN)




Step 7



	Ax4pcs
	Bx4pcs
	Cx4pcs

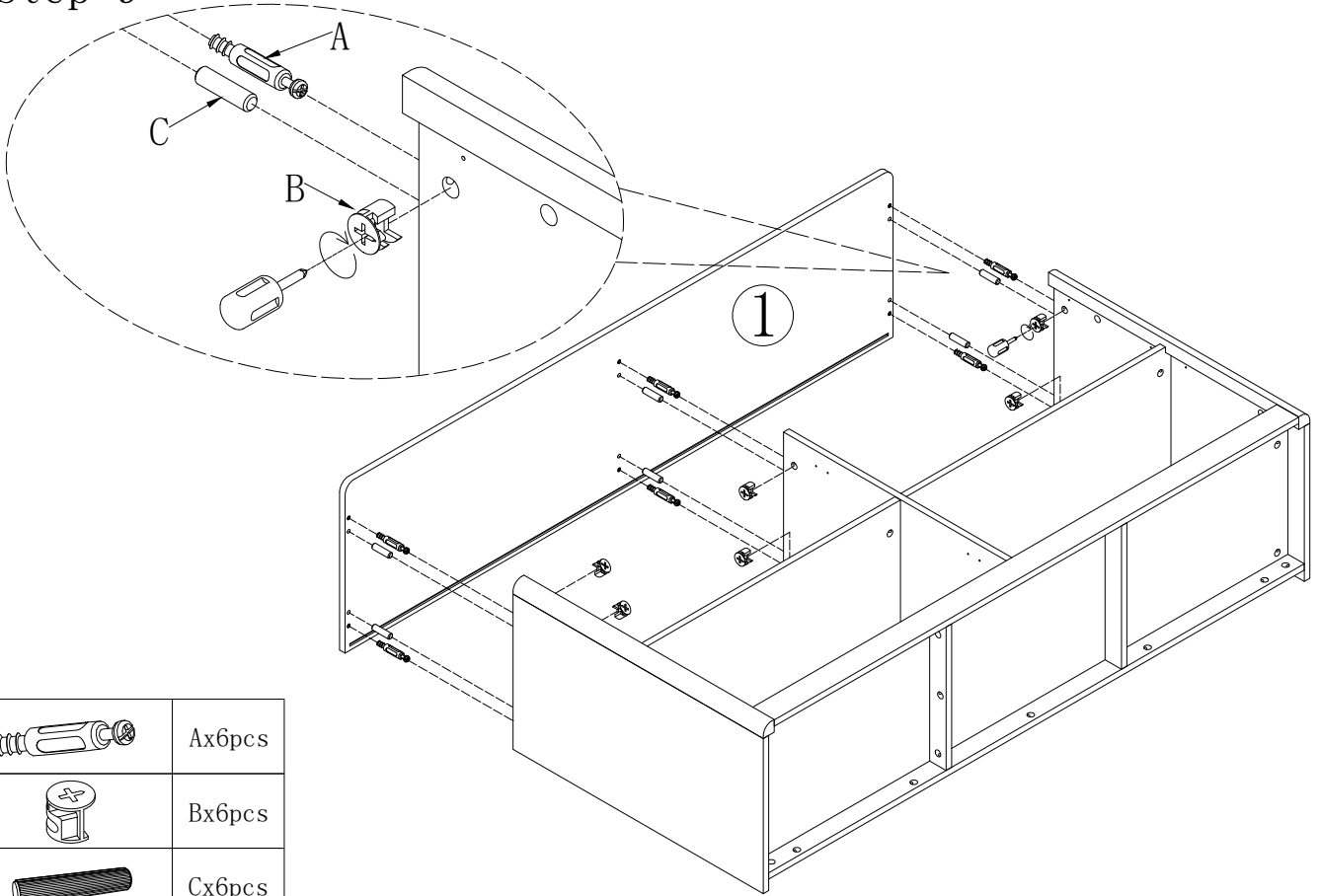
Step 8






	Ax12pcs
	Bx12pcs
	Cx10pcs

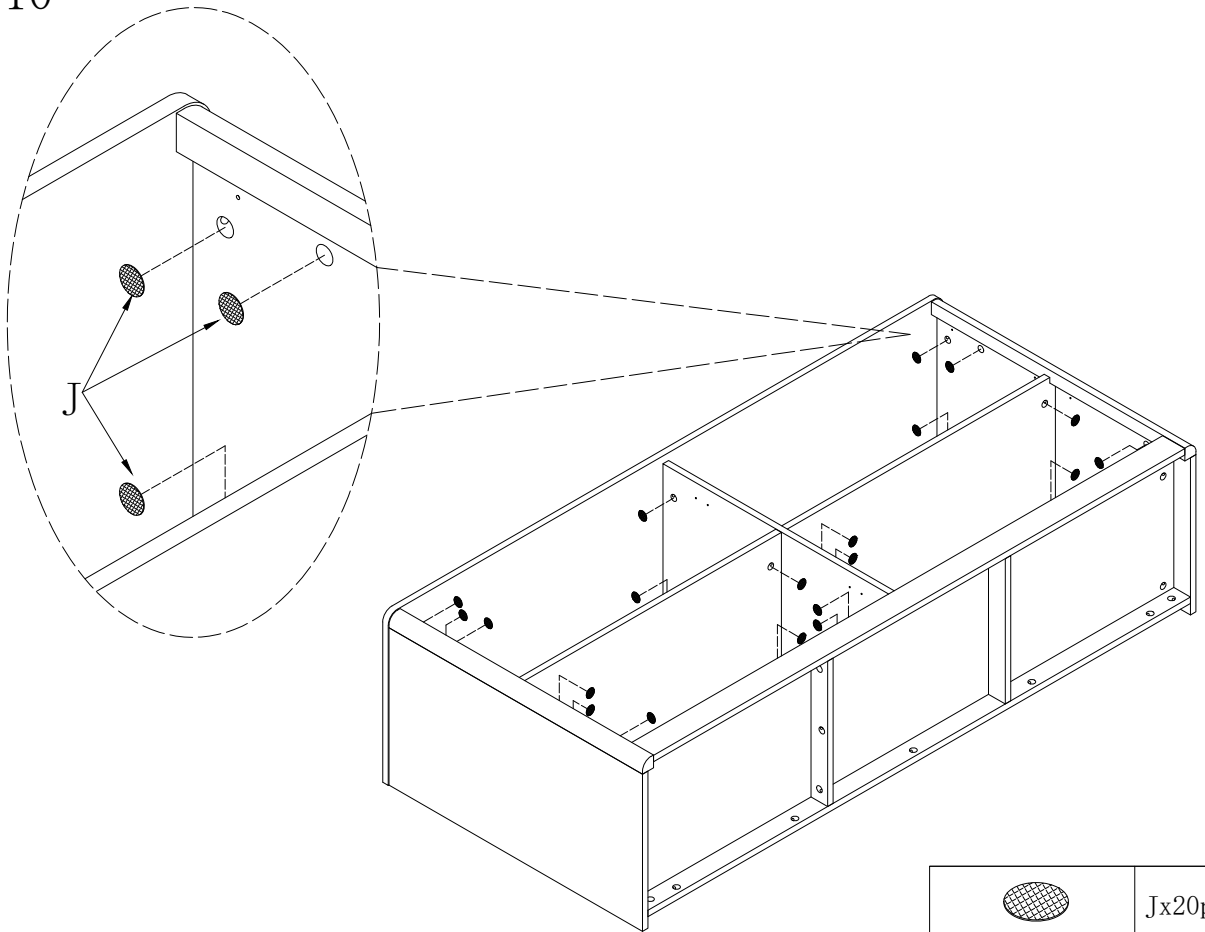
Assembly Steps (EN)


Step 9



	Ax6pcs
	Bx6pcs
	Cx6pcs

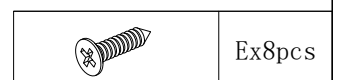
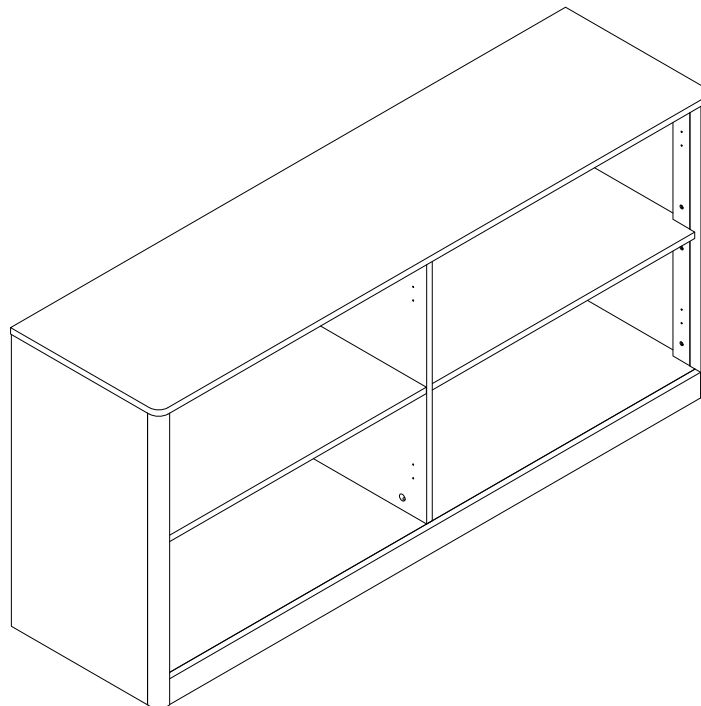
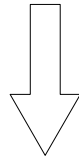
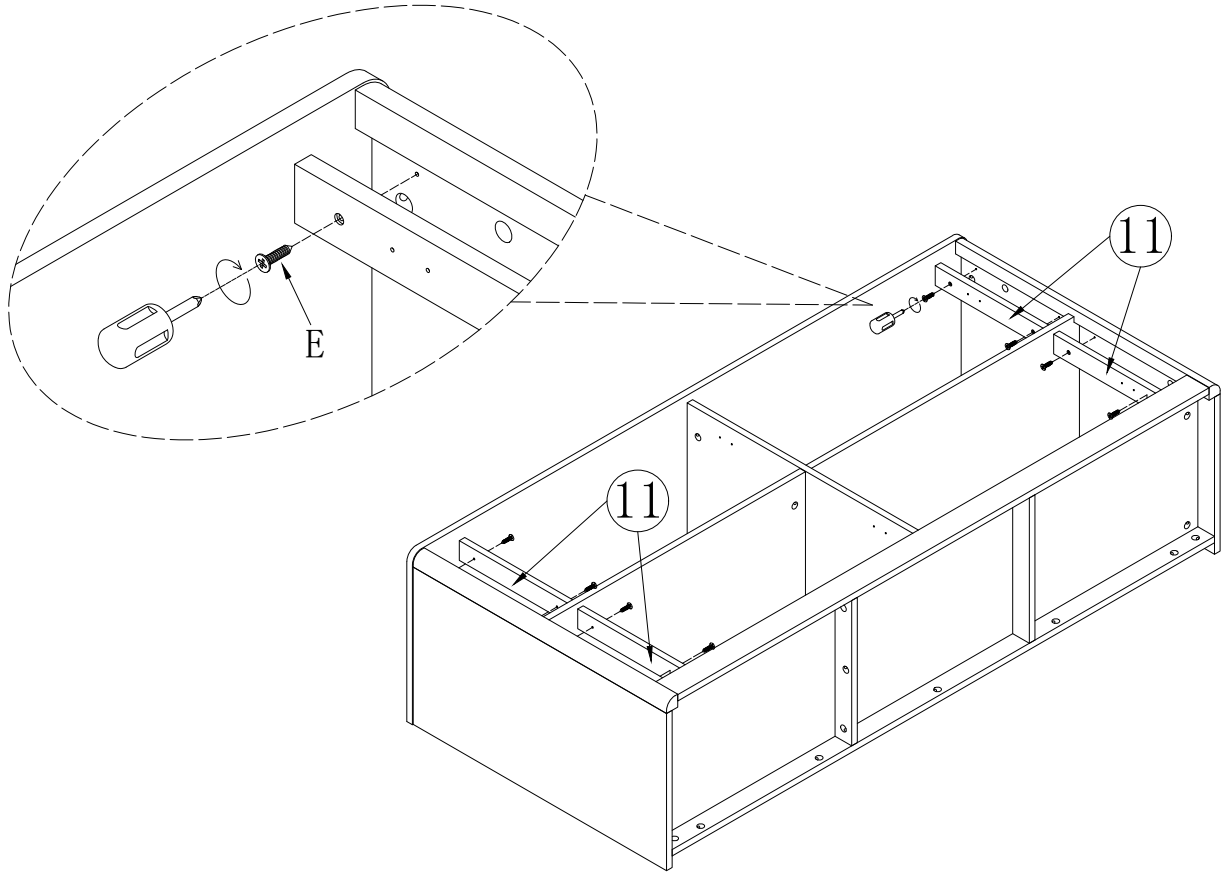
Step 10



	Jx20pcs
---	---------

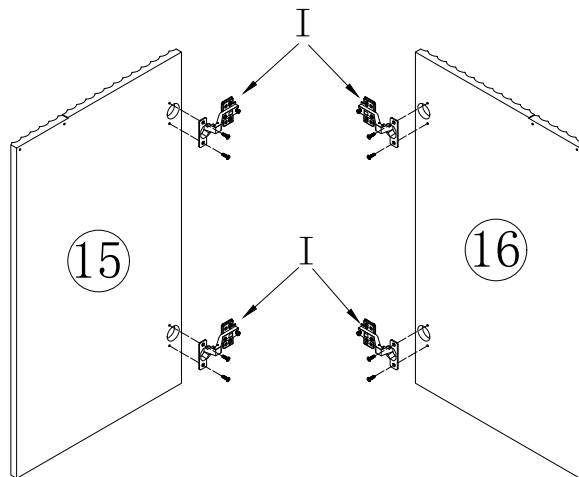
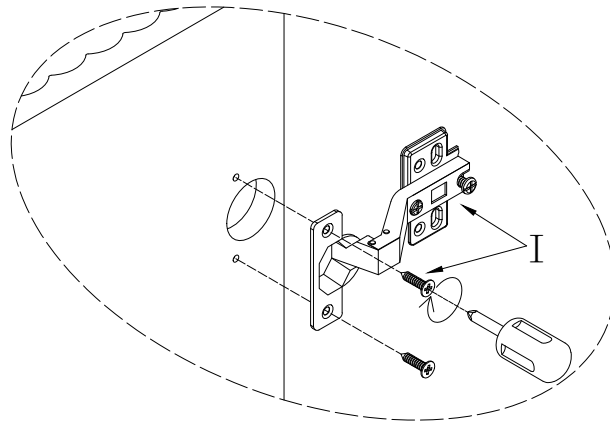
Assembly Steps (EN)

Step 11



Assembly Steps (EN)

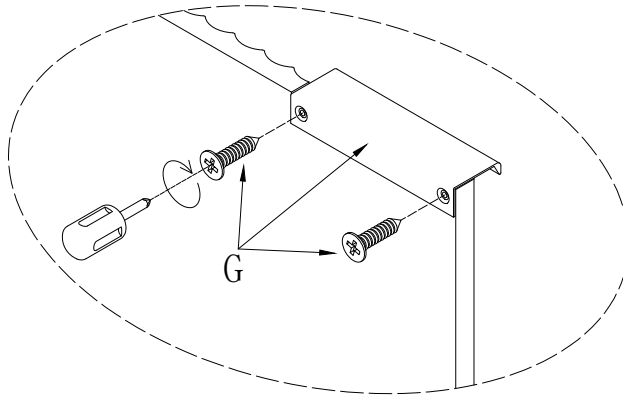
Step 12



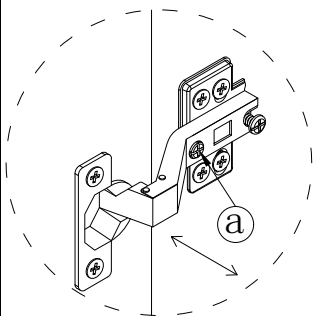
Ix4sets

Assembly Steps (EN)

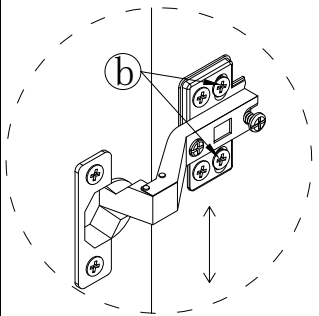
Step 13



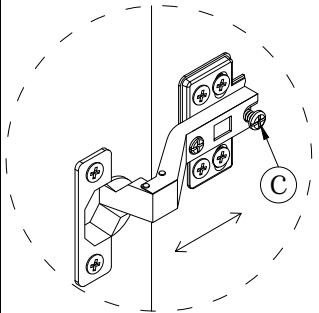
DOOR FITTING



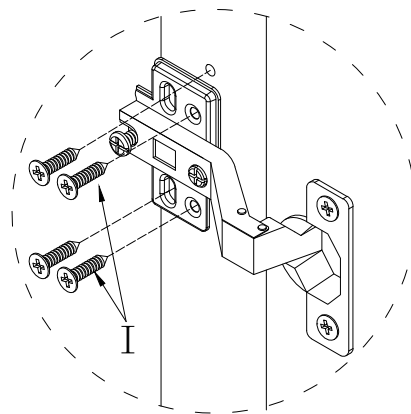
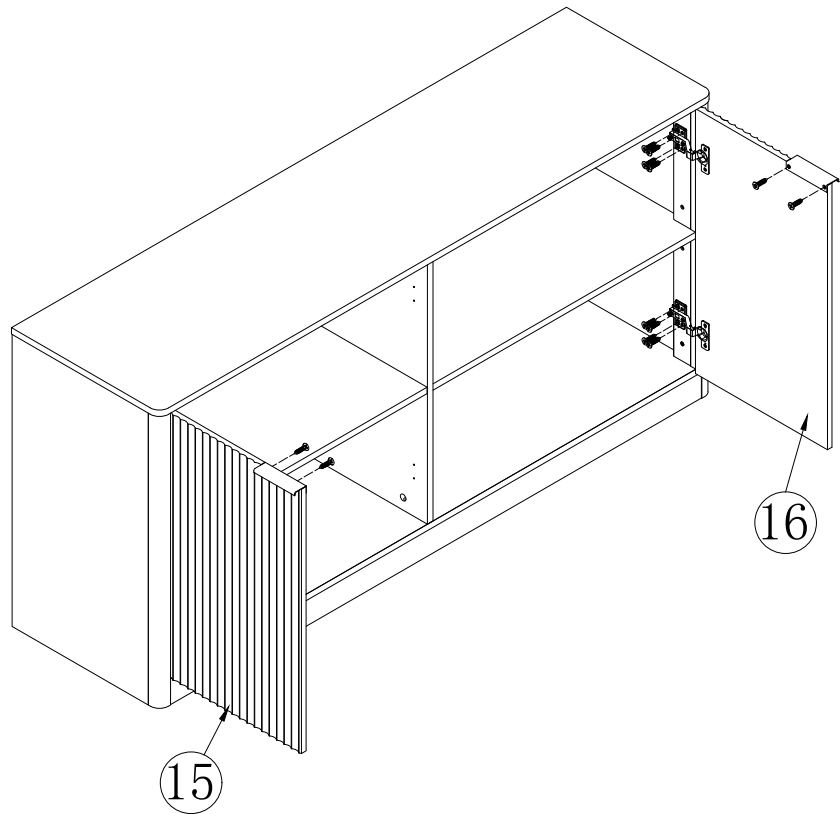
To adjust in width





To adjust in height



To adjust in depth

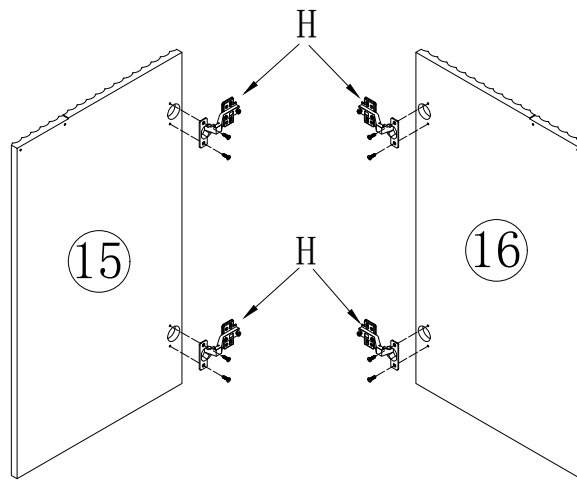
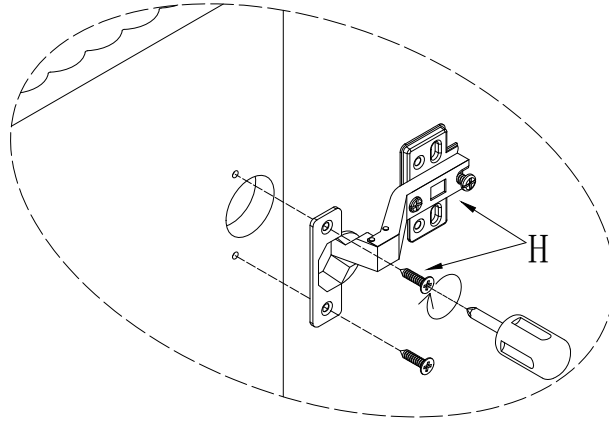


x4

	I x16pcs
	G x2sets

Assembly Steps (EN)

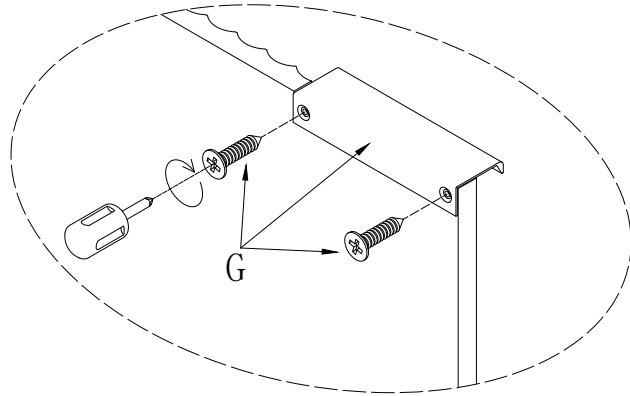
Step 14



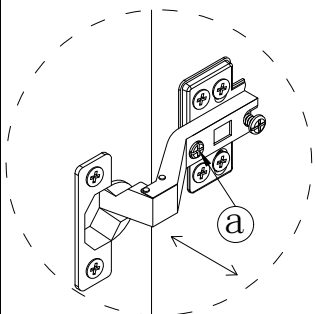
Hx4sets

Assembly Steps (EN)

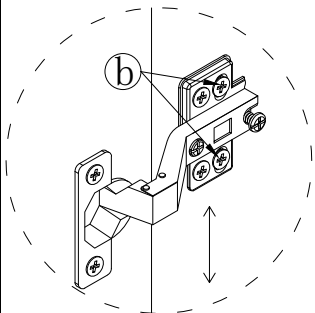
Step 15



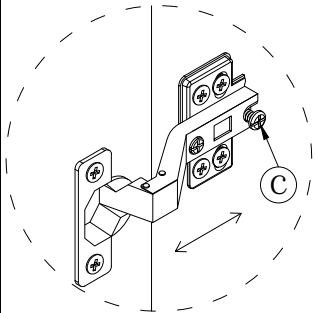
DOOR FITTING



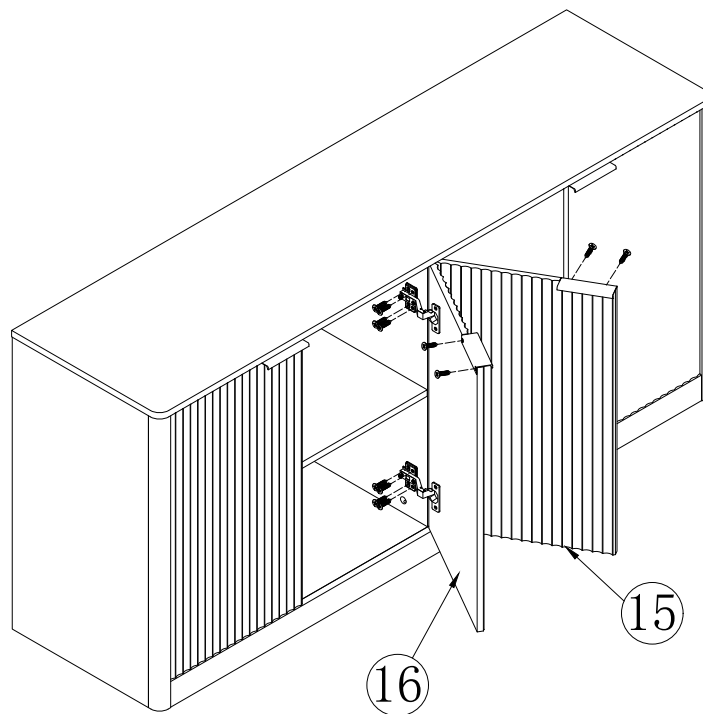
To adjust in width





To adjust in height



To adjust in depth

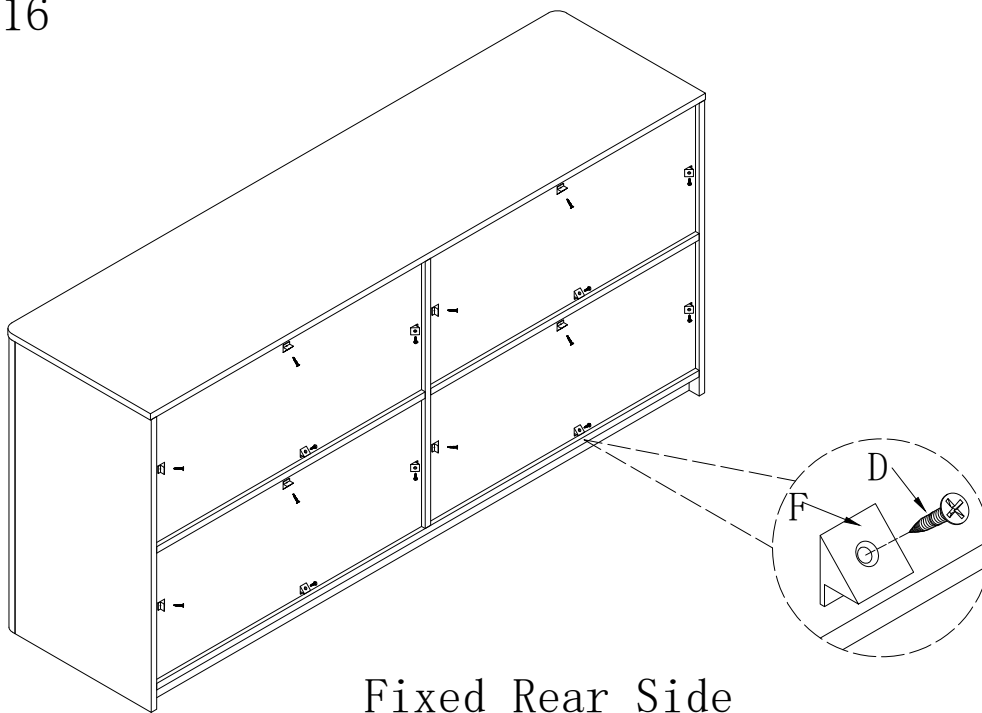




x4

	Hx16pcs
	Gx2sets

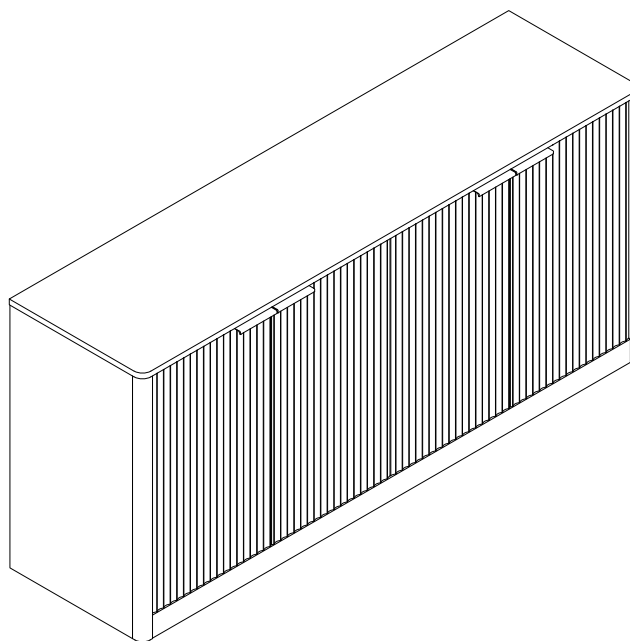
Assembly Steps (EN)

Step 16



	Dx16pcs
	Fx16pcs

Step 17



Final