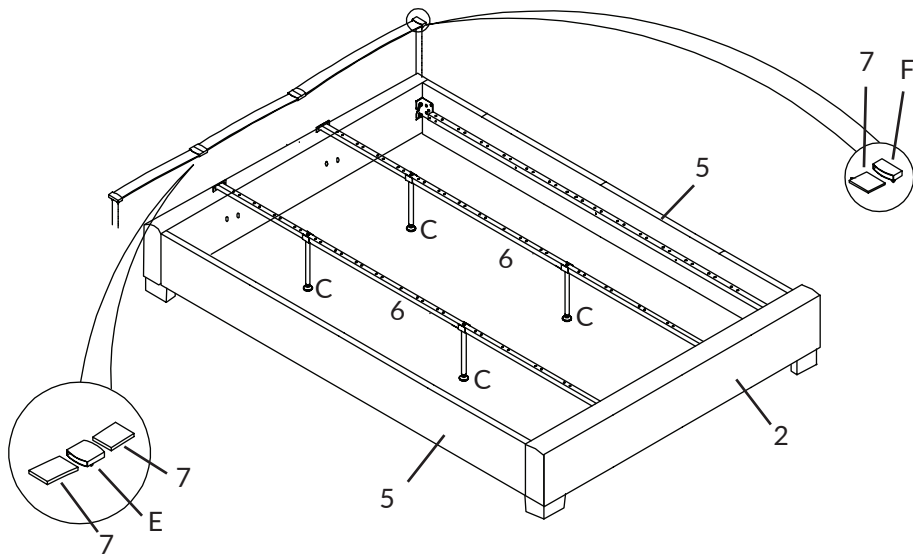


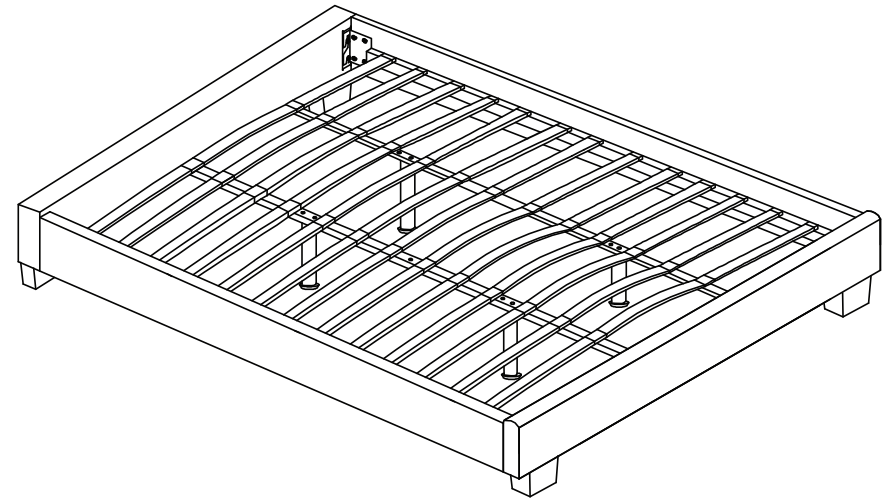
- 6** Attach Center Plastic Connector (E) to Slats (7) by clicking together. Then attach End Caps (F) to end of Slats (7) by clicking together. Repeat this step with the remaining Slats (7).

After all of the Slats (7) are connected, attach the End Caps (F) to the Side Rails (5) and the Center Plastic Connector (E) to the Center Support Rail (6).



PLATFORM BED

CALIFORNIA KING



ADULT ASSEMBLY REQUIRED

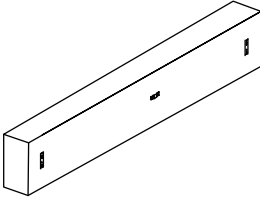
If you are missing any parts or have any questions regarding assembly, do not return this item to the retailers store. Please call our toll-free, customer service number and have this assembly manual open to the parts list ready to provide the model name, number and part name or number.



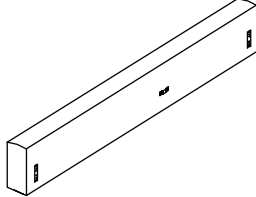
PARTS

Please check that you have all the parts listed before you start assembling.
 If you do find that something is missing, do not continue assembly.
 Please contact your supplier immediately.

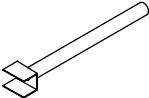
Use of power tools to assemble this product will invalidate any claim
 and may damage this product making it unsafe.



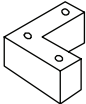
1. Headboard
1x



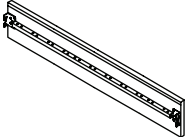
2. Footboard
1x



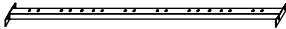
3. Center Support Leg
4x



4. Feet
4x



5. Side Rail
2x

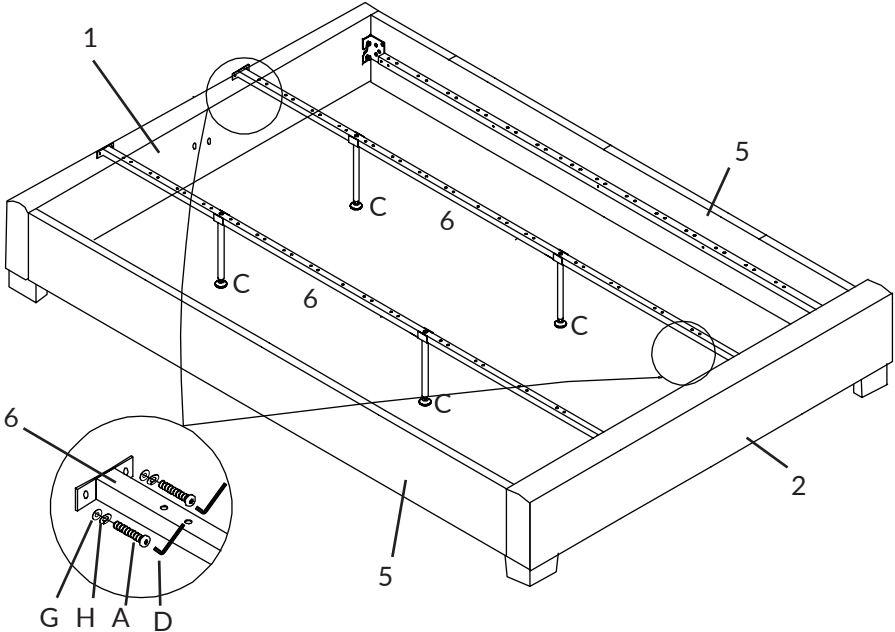


6. Center Support Rail
2x

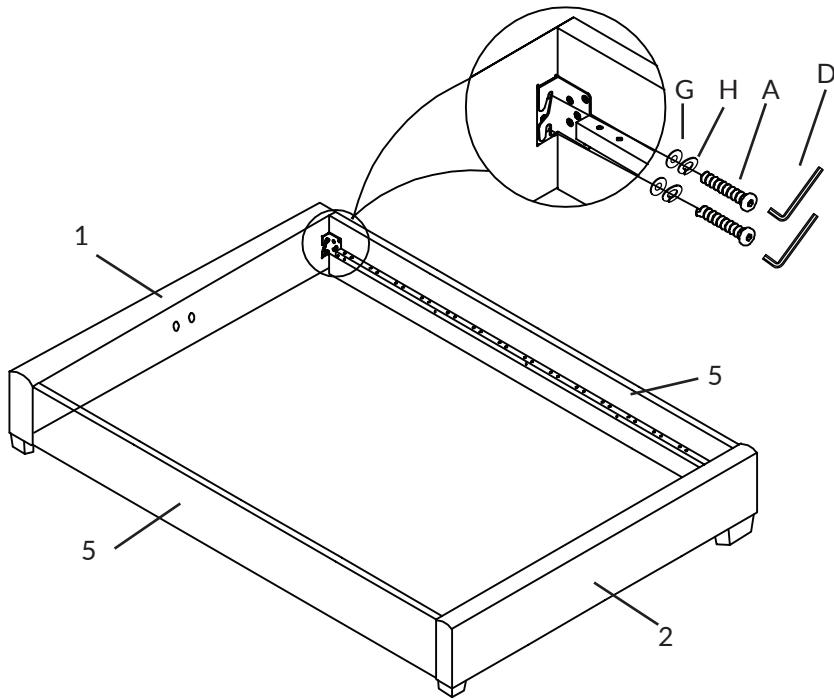


7. Wooden Slat
39x

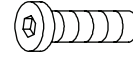
5 Attach Center Support Rail (6) to Headboard (1) and Footboard (2) using Bolt (A), Washer (G) and Spring Washer (H). Tighten using provided Allen Key (D).



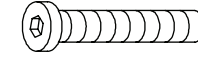
4 Attach Side Rail (5) to Headboard (1) and Footboard (2) using Bolt (A), Washer (G) and Spring Washer (H). Tighten using provided Allen Key (D).



HARDWARE



A. 5/16" X 30 mm Bolt
16x



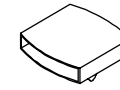
B. 5/16" x 50 mm Bolt
4x



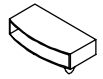
C. Plastic Foot Adjuster
4x



D. 5 mm Allen Key
1x



E. Center Plastic Connector
26x



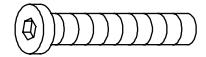
F. End Cap
26x



G. Washer
20x



H. Spring Washer
20x



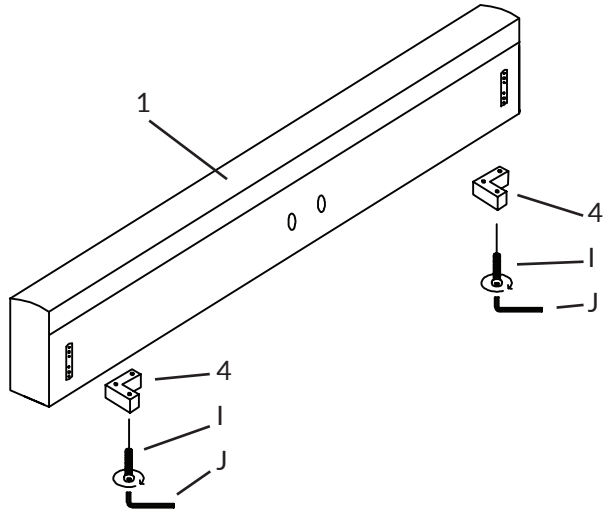
I. 1/4" x 50 mm Bolt
8x



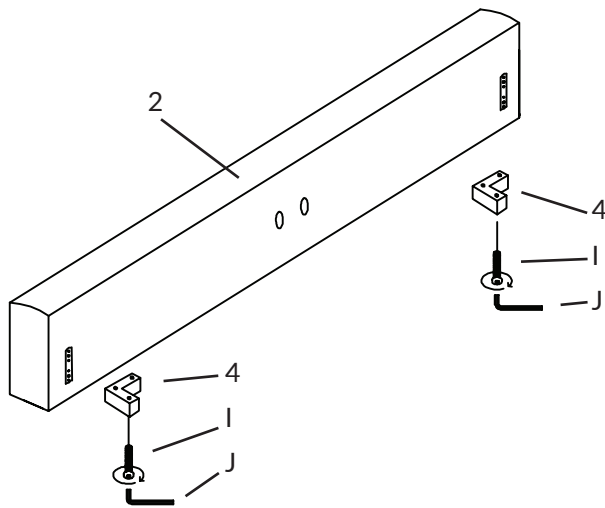
J. 4 mm Allen Key
1x

ASSEMBLY INSTRUCTIONS

- 1** Attach Feet (4) to Headboard (1) using Bolt (I). Tighten using provided Allen Key (J).



- 2** Attach Feet (4) to Headboard (2) using Bolt (I). Tighten using provided Allen Key (J).



- 3** Attach Center Support Leg (3) to Center Support Rail (6) using Bolt (B), Washer (G) and Spring Washer (H). Tighten using provided Allen Key (D).

Then attach Plastic Foot Adjuster (C) to Center Support Leg (3) by hand tightening.

