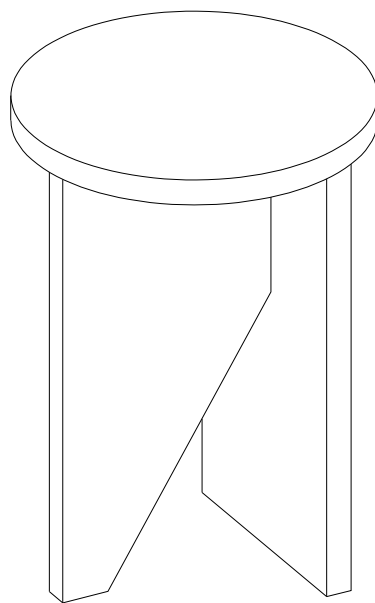


ASSEMBLY INSTRUCTIONS.

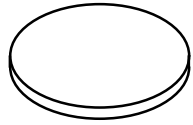
GRACE ACCENT TABLE BLACK OAK



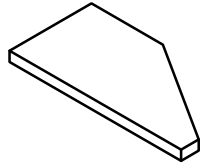
THANK YOU FOR YOUR PURCHASE!

PARTS LIST

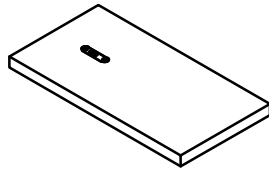
A. Top = 1



B. Leg I = 1

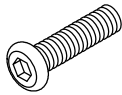


C. Leg II = 1



HARDWARE LIST

1. Bolt
M6x25 = 8



2. Spring Washer
M6.5x11 = 4



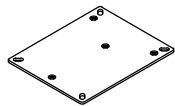
3. Flat Washer
M6.5x16 = 4



4. Allen key
M4 = 1



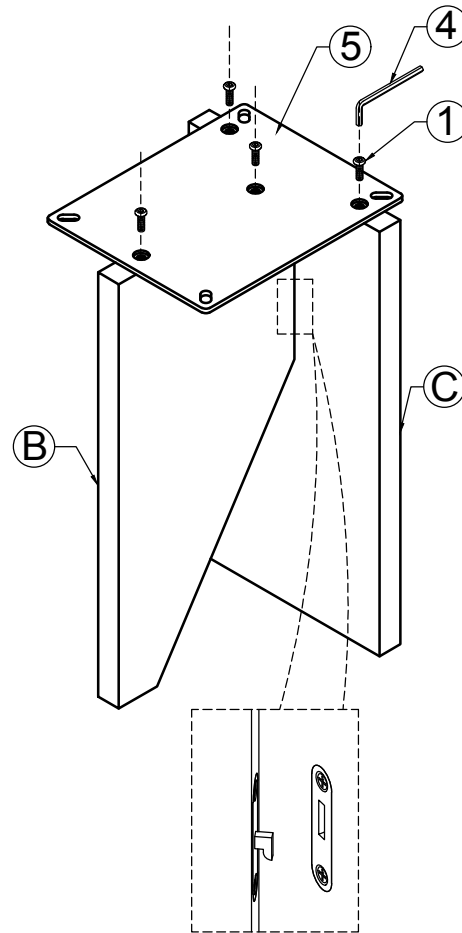
5. Pat = 1



NOTES.

Thank you for purchasing this quality product! Be sure to check all packing material carefully for small part that may have come loose inside the carton during shipping.

Step 1



Step 2

